



US00D366249S

United States Patent [19]
Hill et al.

[11] **Patent Number: Des. 366,249**
[45] **Date of Patent: **Jan. 16, 1996**

- [54] **DATA PROCESSING SYSTEM**
- [75] Inventors: **David W. Hill; Tim K. Murphy**, both of Rochester, Minn.
- [73] Assignee: **International Business Machines Corporation**, Armonk, N.Y.
- [**] Term: **14 Years**
- [21] Appl. No.: **22,288**
- [22] Filed: **May 3, 1994**
- [52] U.S. Cl. **D14/100**
- [58] Field of Search D14/100, 102, D14/107-109; D13/162, 184, 199; 312/208.1, 223.2, 223.3, 194; 360/97.01, 97.04, 98.01, 99.01, 99.12; 361/600, 622, 724-728, 683, 685, 686

- D. 317,758 6/1991 Mishiro et al. D14/102
- D. 322,430 12/1991 Kline et al. D14/102

Primary Examiner—Freda Nunn
Attorney, Agent, or Firm—Matthew J. Bussan; Roy W. Truelson

[57] **CLAIM**

The ornamental design for a data processing system, as shown and described.

DESCRIPTION

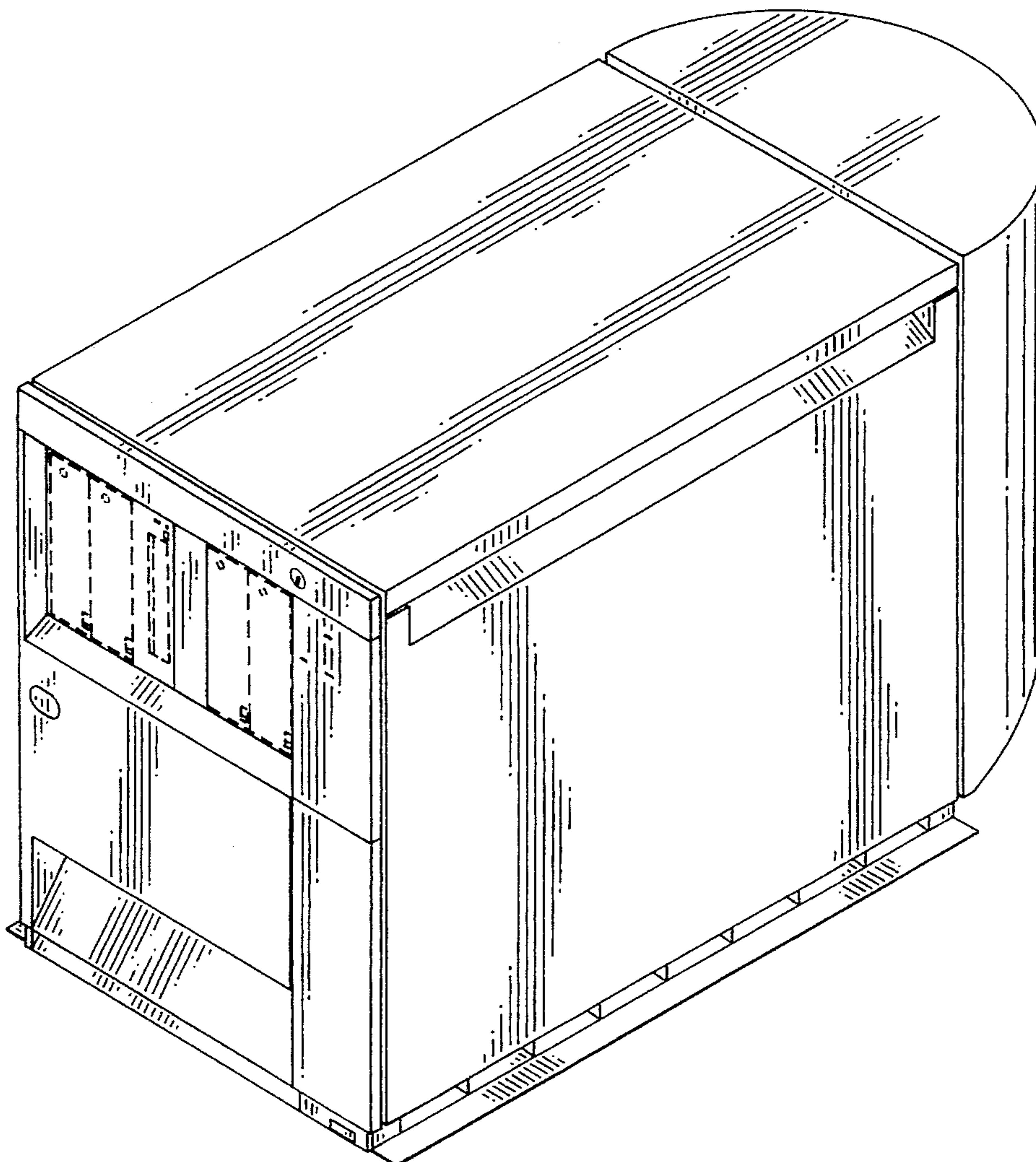
FIG. 1 is a top, front, right side isometric view of a data processing system, showing our new design; FIG. 2 is a front elevational view thereof; FIG. 3 is a top plan view thereof; FIG. 4 is a right side elevational view thereof, the left side being identical; and, FIG. 5 is a rear elevational view thereof. The bottom of the data processing system is unornamented. The broken lines are shown for illustrative purposes only and form no part of the claimed design.

[56] **References Cited**

U.S. PATENT DOCUMENTS

- D. 316,083 4/1991 Abe et al. D14/102

1 Claim, 5 Drawing Sheets



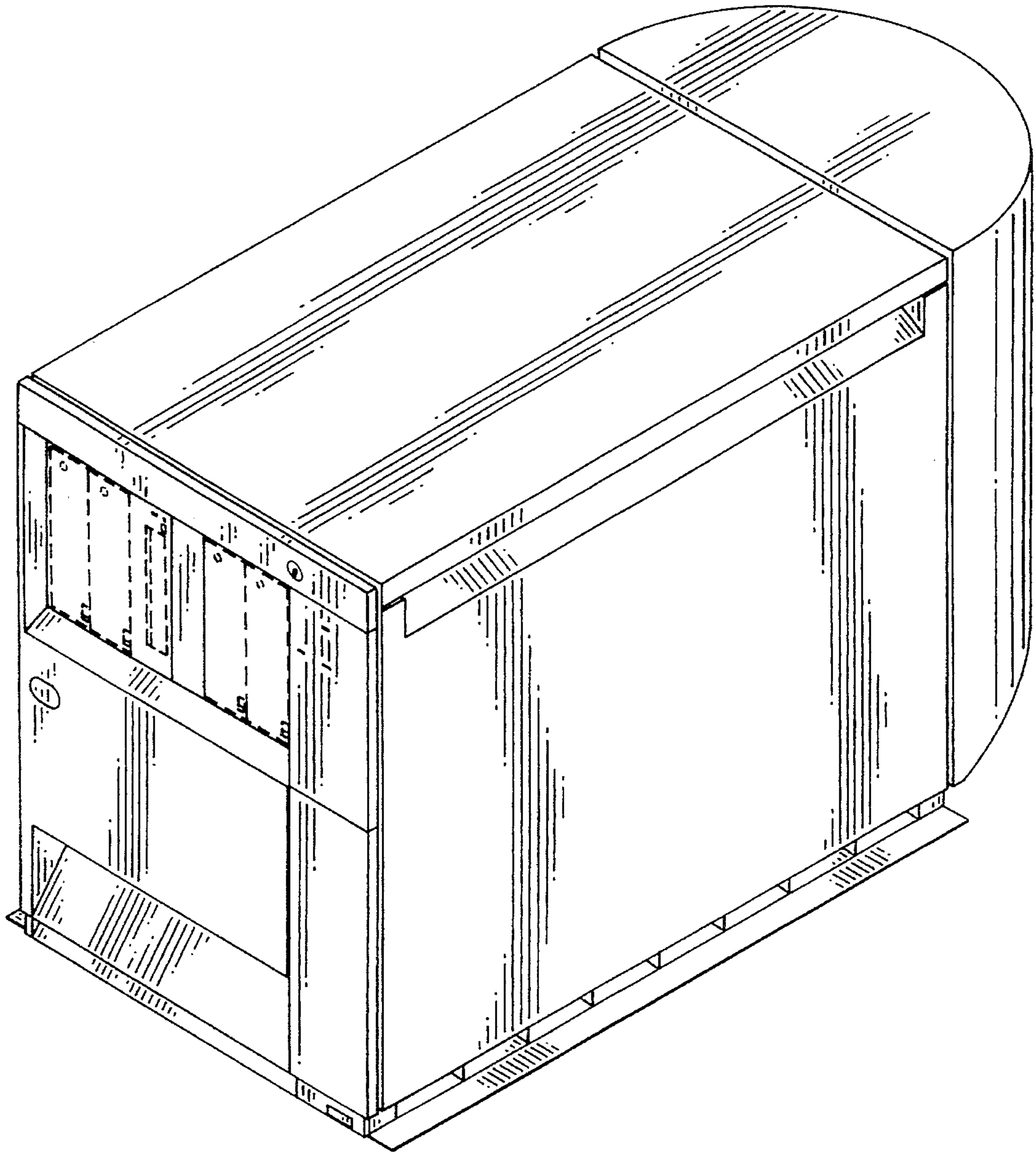


FIG. 1

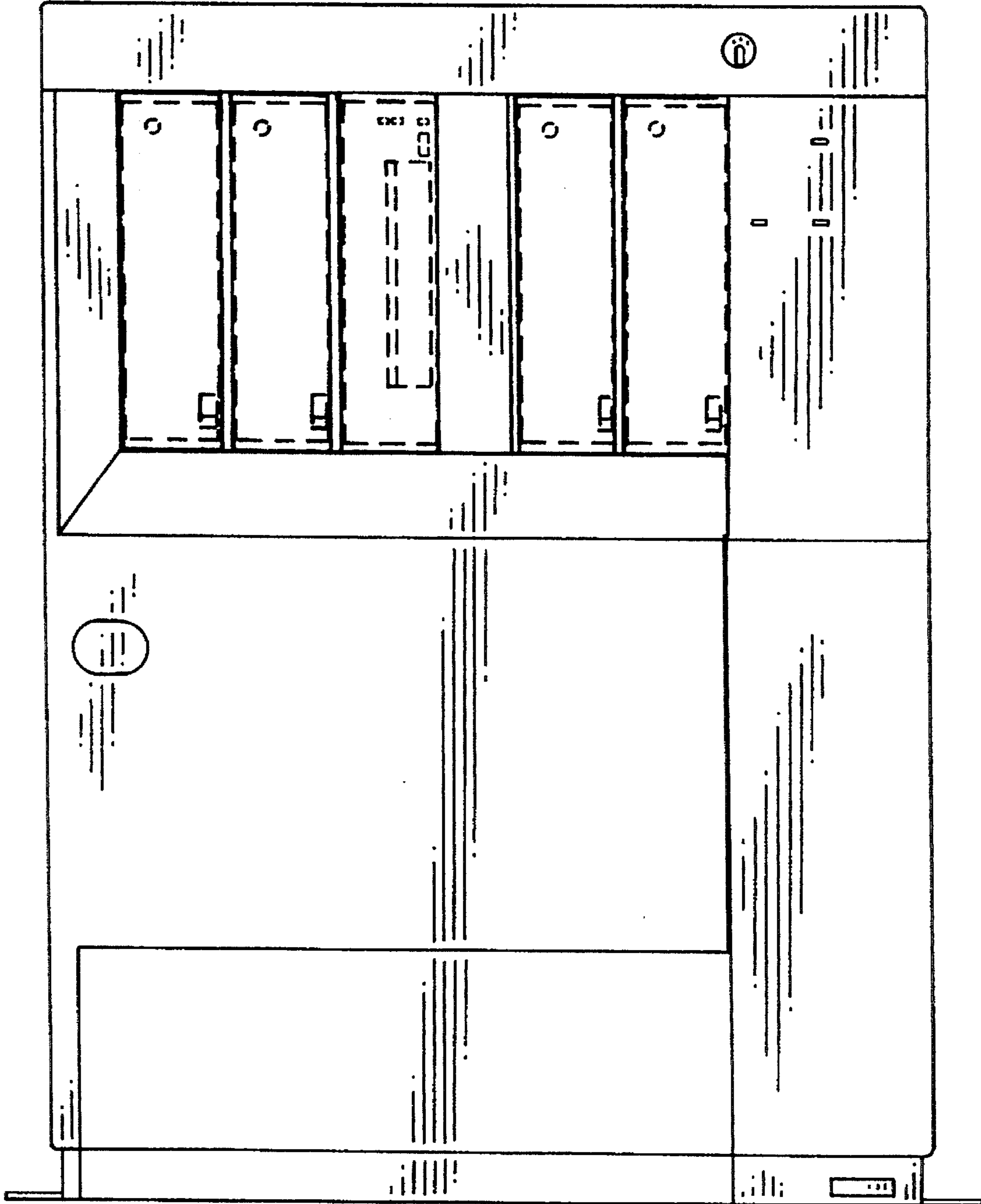


FIG. 2

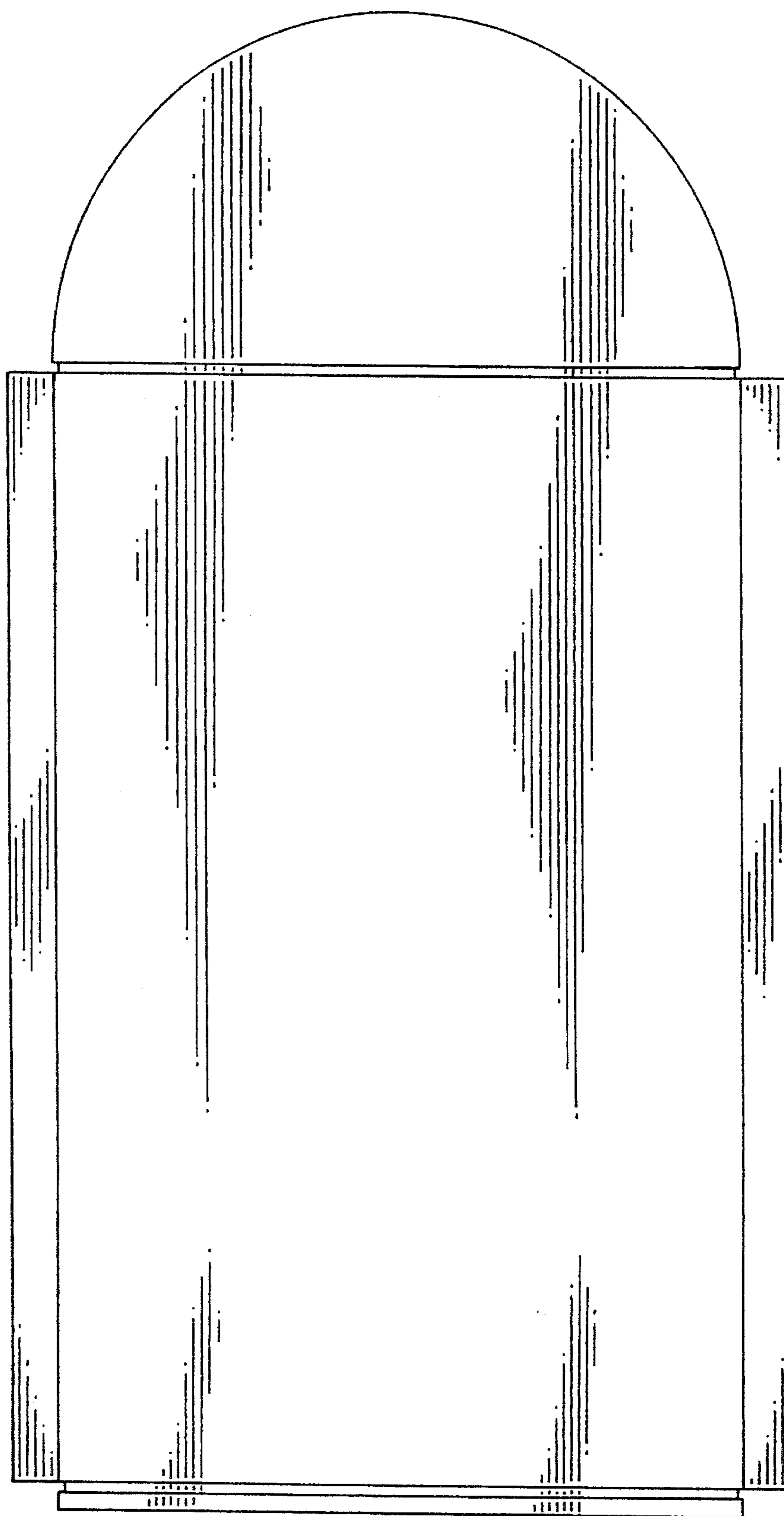


FIG. 3

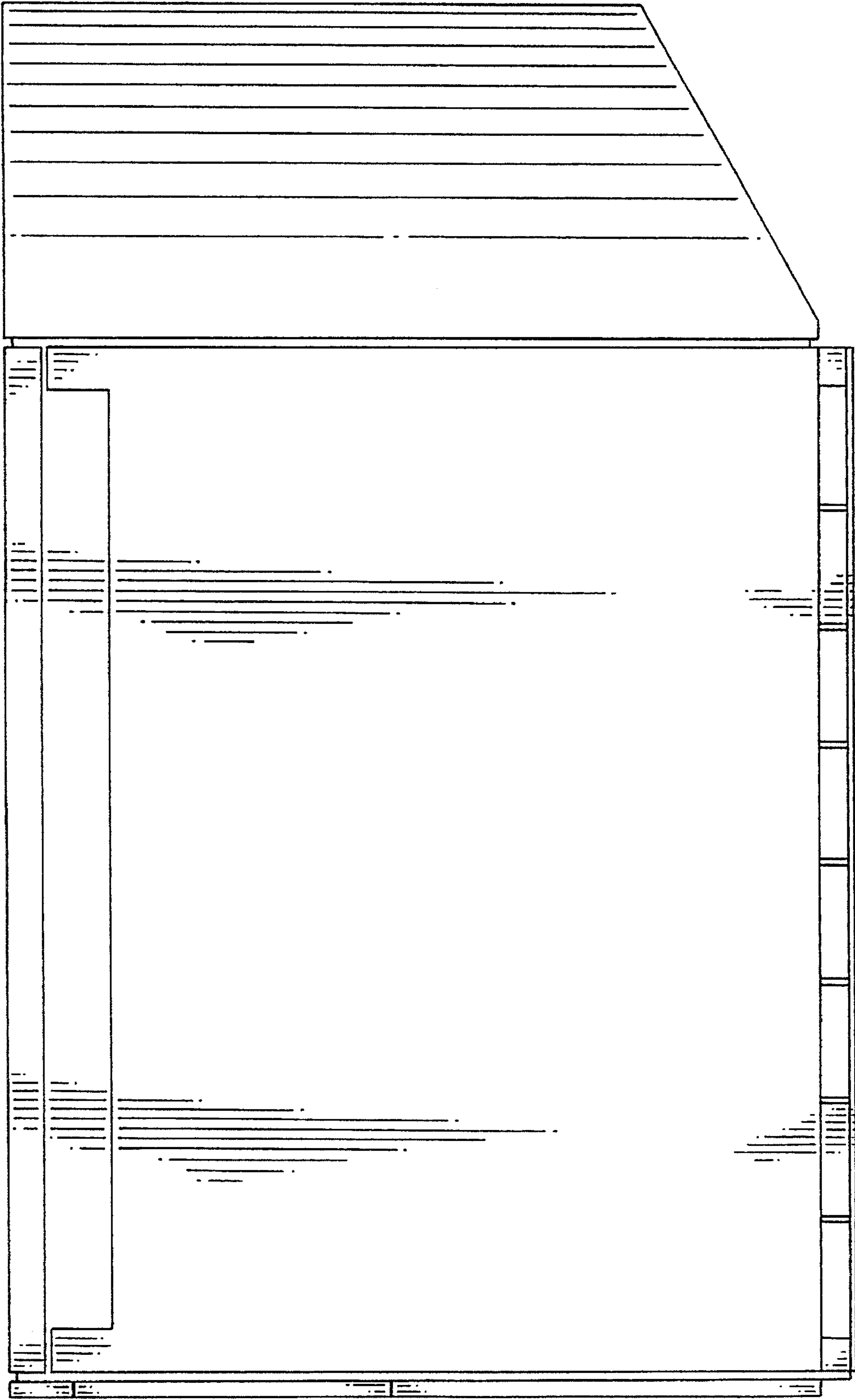


FIG. 4

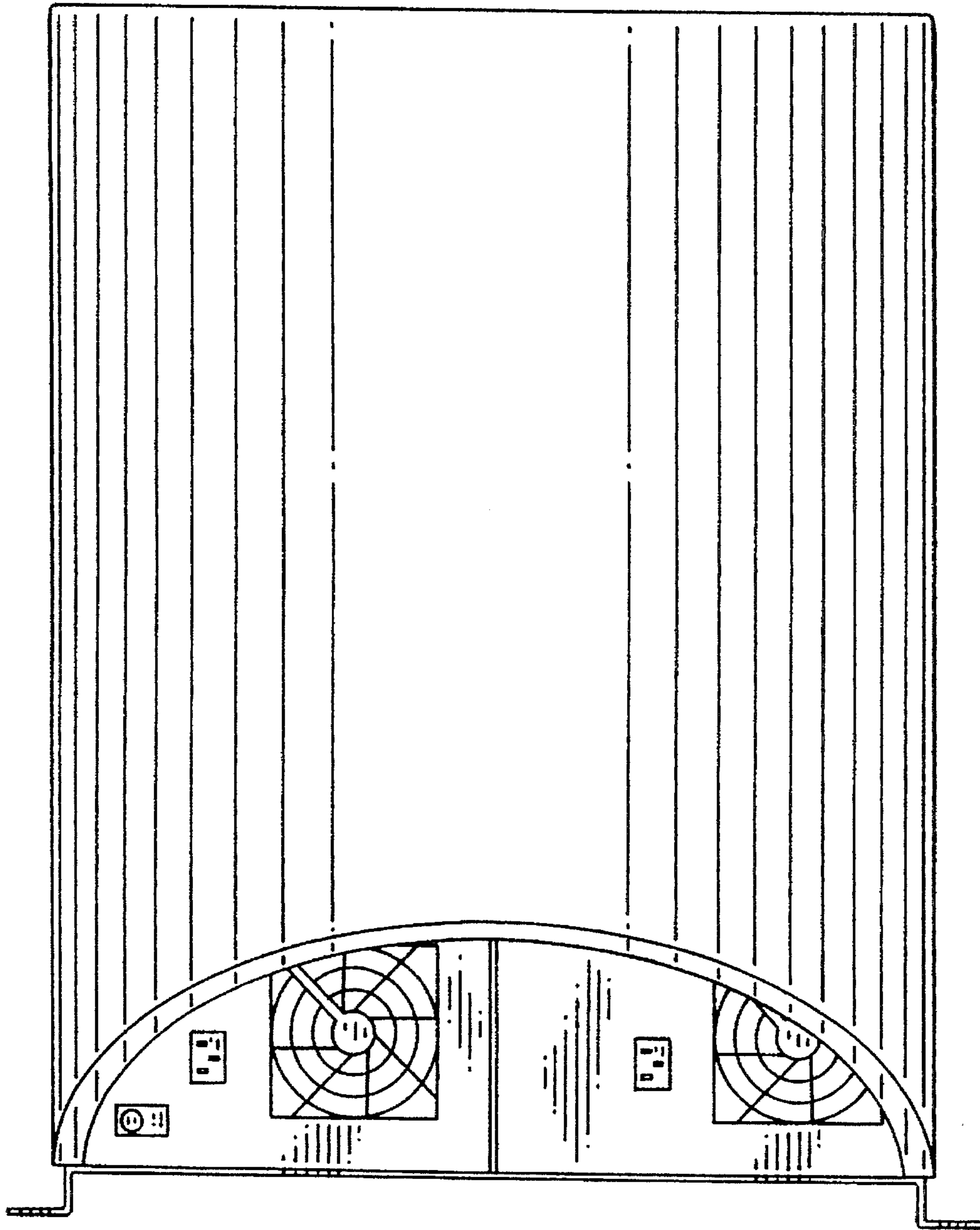


FIG. 5