



US00D366242S

United States Patent [19] Goto

[11] Patent Number: **Des. 366,242**

[45] Date of Patent: ****Jan. 16, 1996**

[54] **CONNECTOR**

[75] Inventor: **Teiyu Goto**, Tokyo, Japan

[73] Assignee: **Sony Corporation**, Tokyo, Japan

[**] Term: **14 Years**

[21] Appl. No.: **30,142**

[22] Filed: **Nov. 4, 1994**

[30] **Foreign Application Priority Data**

May 7, 1994 [JP] Japan 6-12896

[52] U.S. Cl. **D13/147**

[58] Field of Search D13/146, 147;
439/358, 687, 696, 266, 483, 677, 246,
247, 460; 174/52.1

[56] **References Cited**

U.S. PATENT DOCUMENTS

D. 196,912 11/1963 Kostich D13/147

D. 333,293 2/1993 Ashida D13/147
3,002,175 9/1961 Bertram et al. D13/147 X
4,126,369 11/1978 Rapata et al. 174/52.1 X

Primary Examiner—Joel Sincavage
Attorney, Agent, or Firm—Beveridge, DeGrandi, Weilacher
& Young

[57] **CLAIM**

The ornamental design for a connector, as shown and described.

DESCRIPTION

FIG. 1 is a perspective view of the connector;
FIG. 2 is a front plan view of the connector;
FIG. 3 is a rear plan view of the connector;
FIG. 4 is a top plan view of the connector;
FIG. 5 is a bottom plan view of the connector;
FIG. 6 is a left side plan view of the connector; and,
FIG. 7 is a right side plan view of the connector.

1 Claim, 3 Drawing Sheets

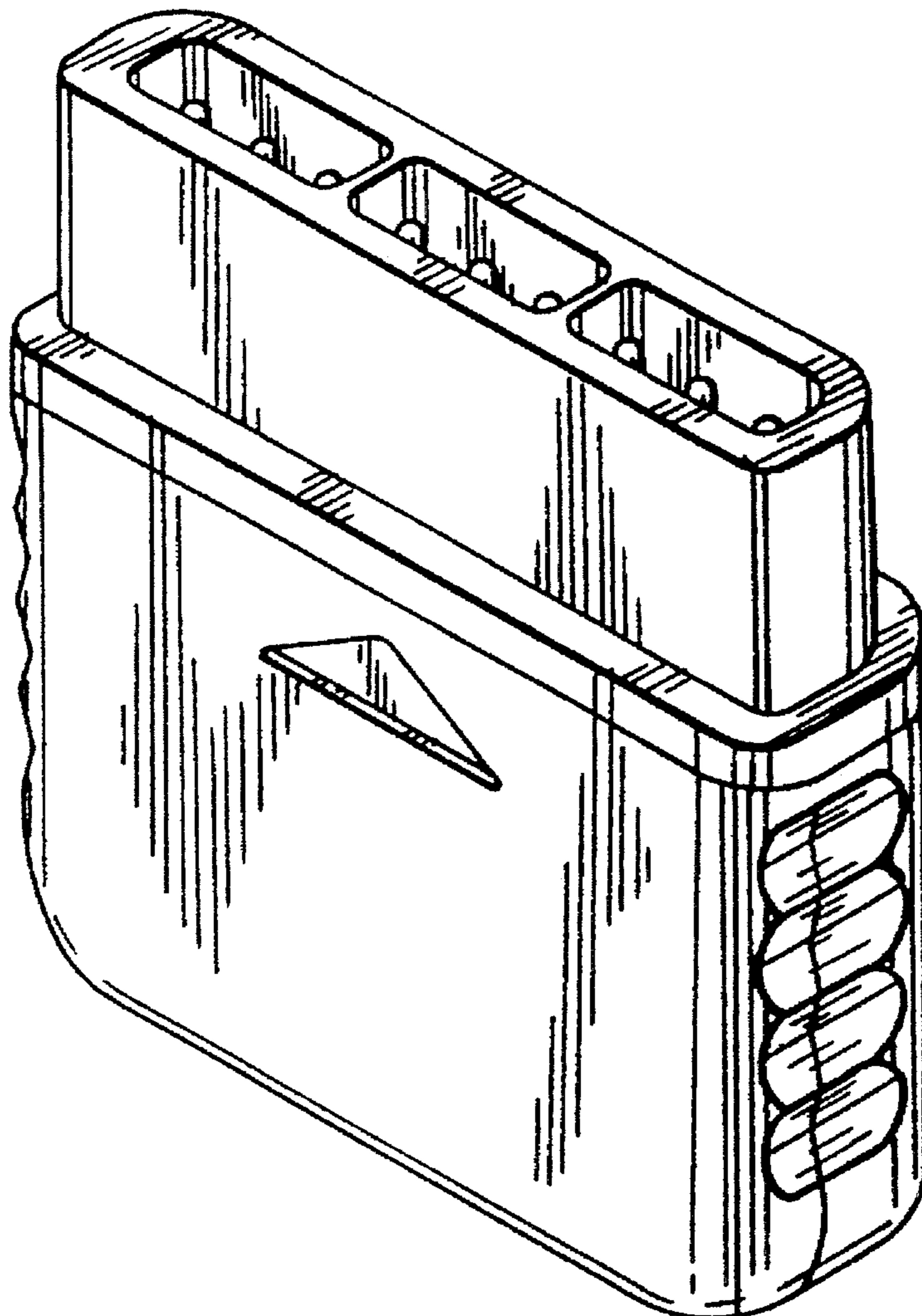


FIG. 1

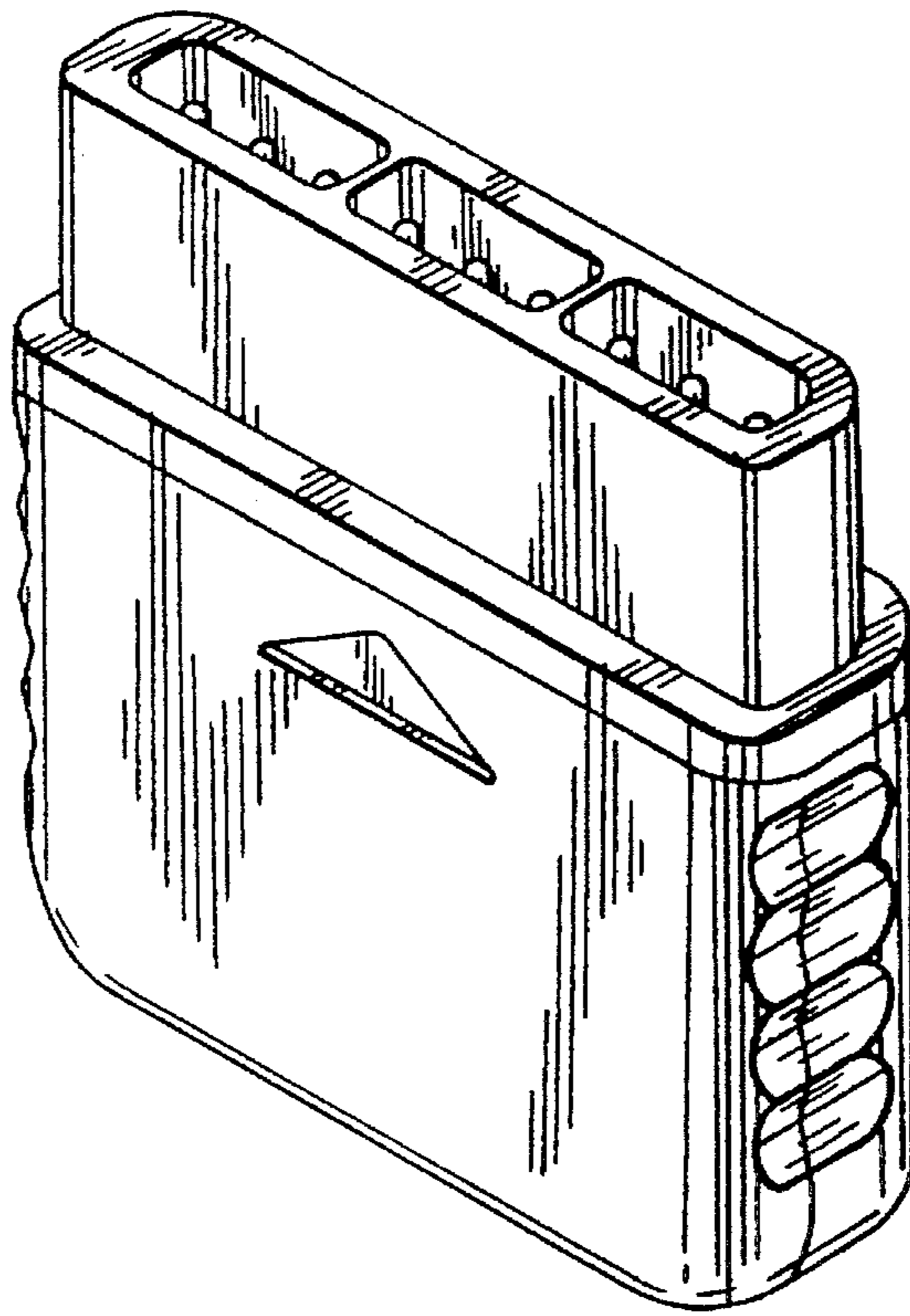


FIG. 2

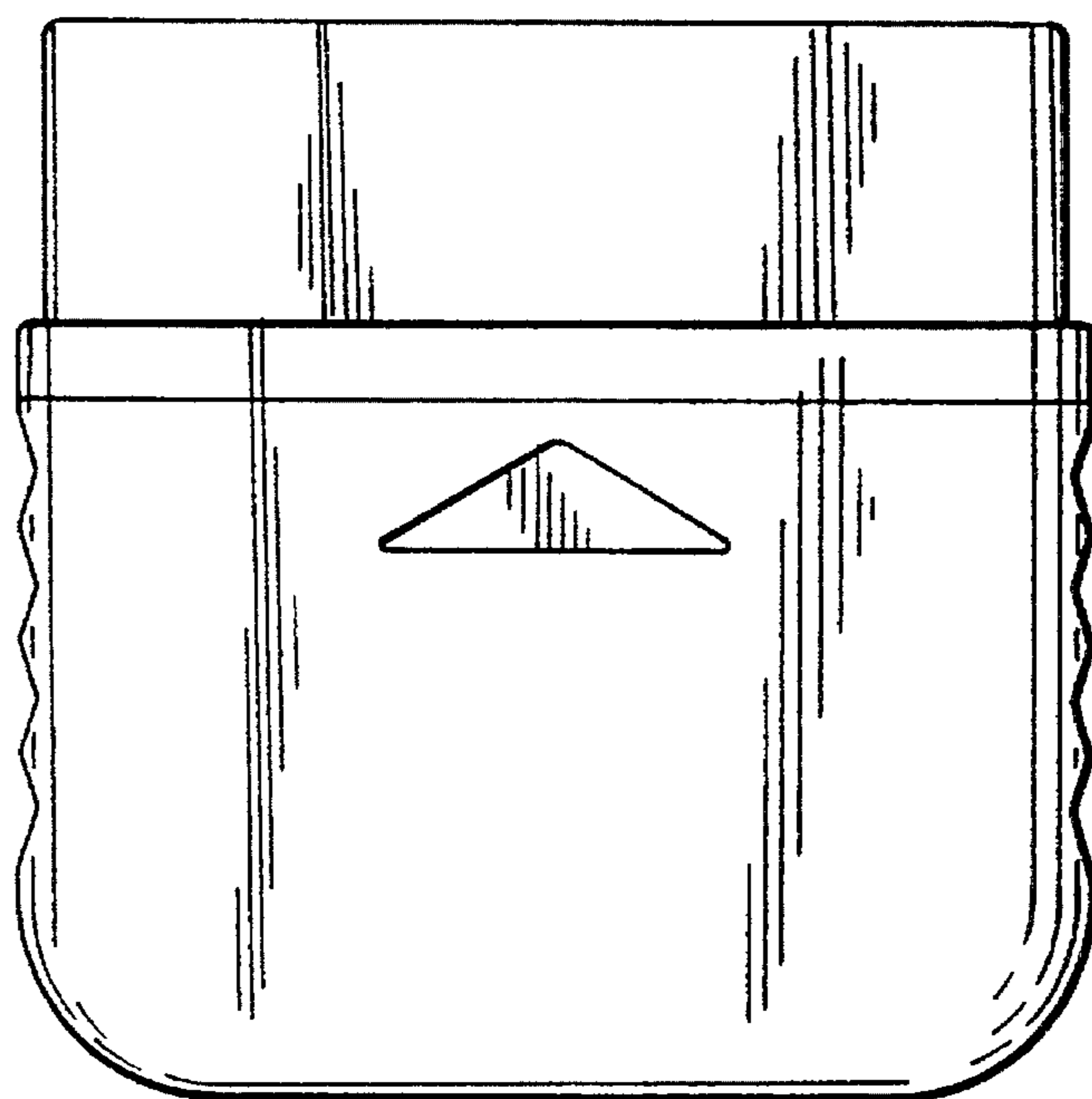


FIG. 3

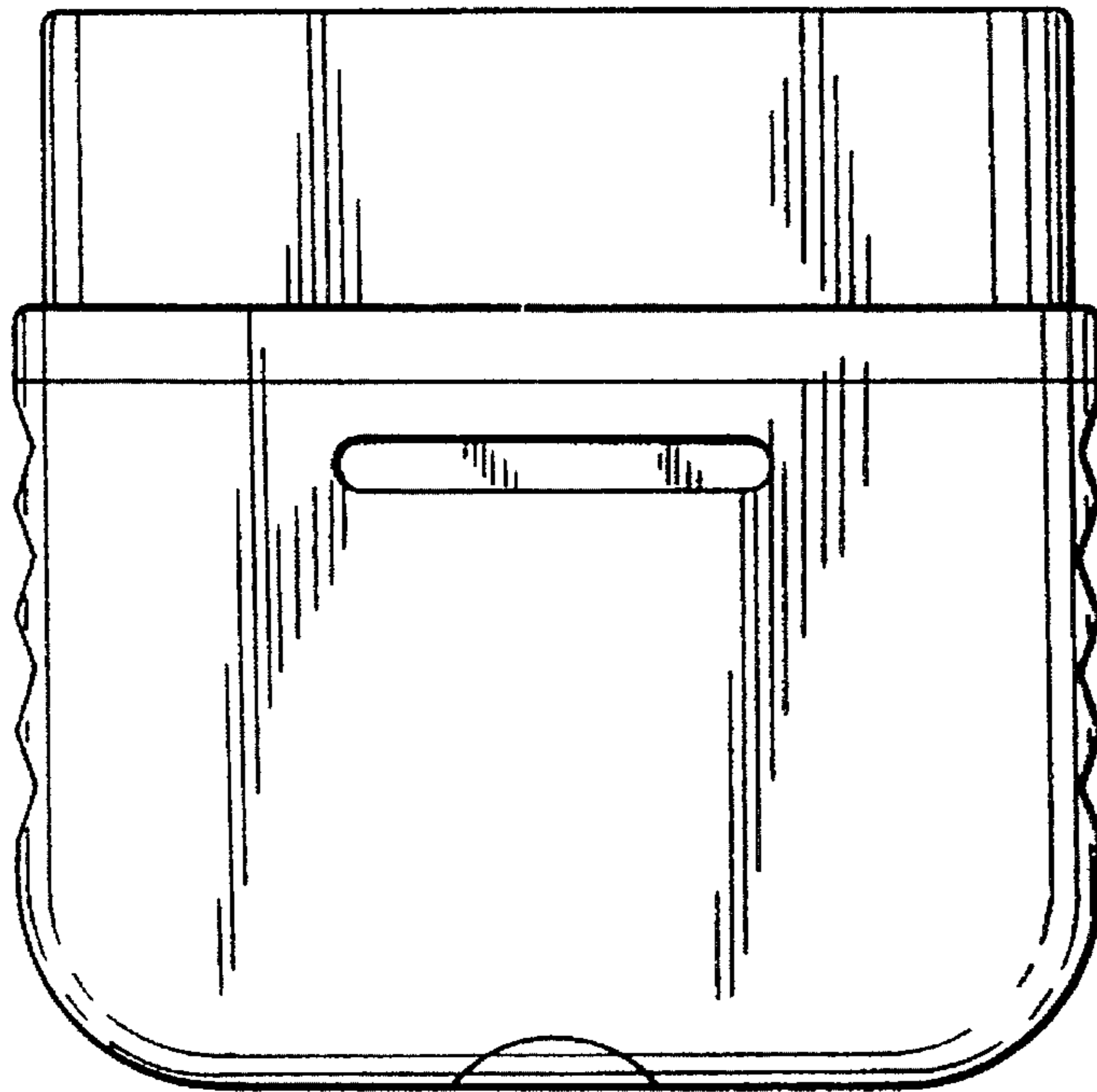


FIG. 4

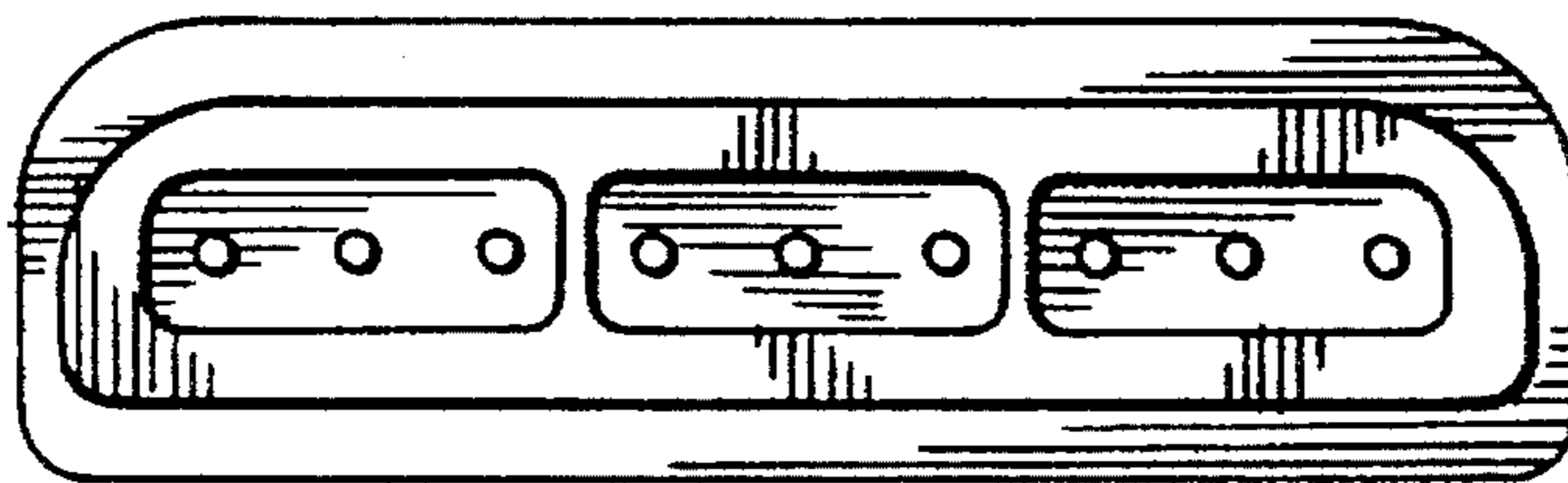


FIG. 5

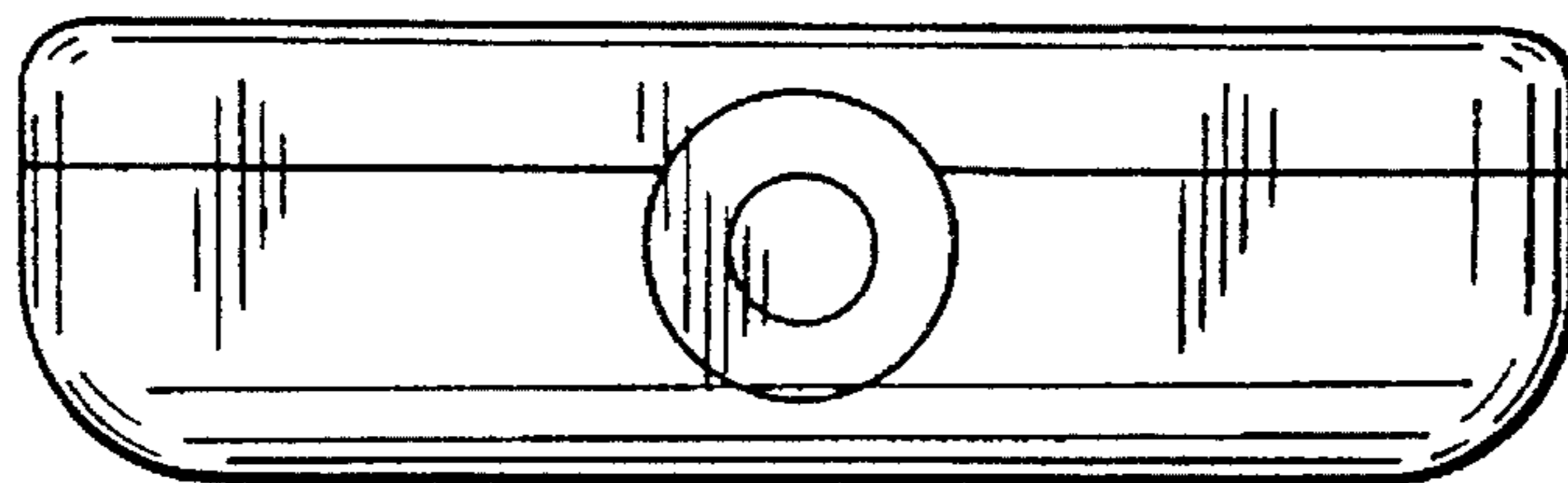


FIG. 6

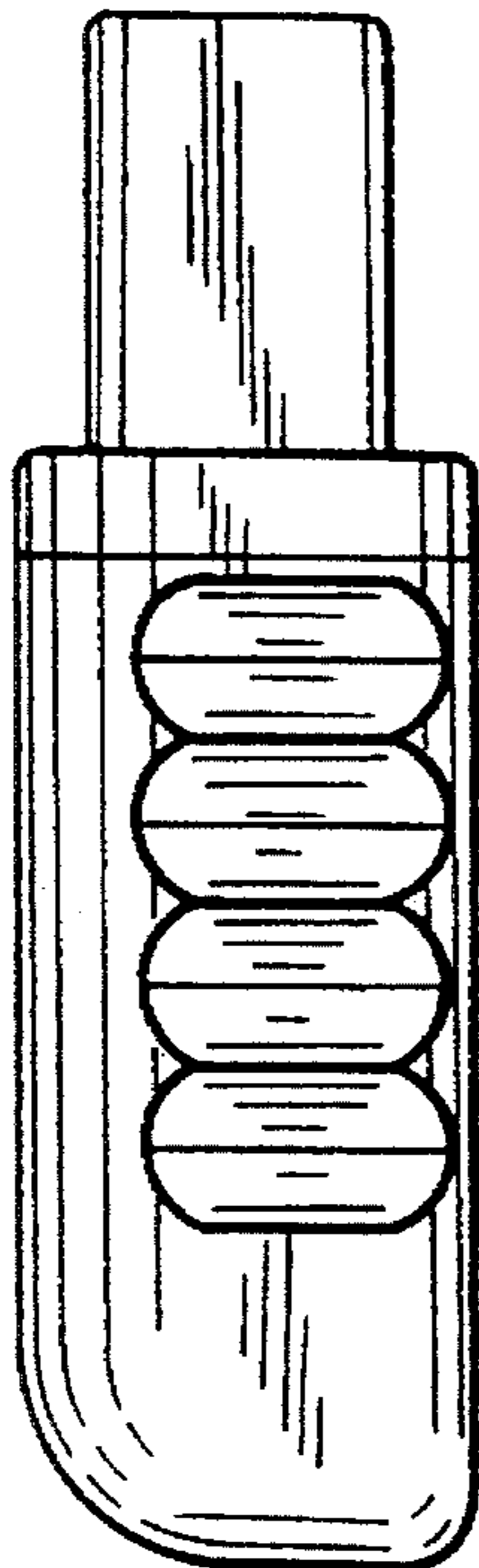


FIG. 7

