



US00D366240S

United States Patent [19]
Kittridge

[11] **Patent Number: Des. 366,240**
[45] **Date of Patent: **Jan. 16, 1996**

[54] **TRAILER PLUG ADAPTER**

[76] Inventor: **John H. Kittridge**, 45217 Highland Rd., Waterford, Mich. 48320

[**] Term: **14 Years**

[21] Appl. No.: **31,678**

[22] Filed: **Dec. 2, 1994**

[52] U.S. Cl. **D13/146; D13/147**

[58] Field of Search **D13/145, 146, D13/147; 439/35, 352, 483, 484, 598, 638, 677, 678**

[56] **References Cited**

U.S. PATENT DOCUMENTS

D. 233,156	10/1974	Jolliffe	D13/145
D. 328,281	7/1992	Nocair	D13/146
D. 331,223	11/1992	Hughes	D13/147
D. 335,122	4/1993	Hughes	D13/146
4,526,431	7/1985	Kasukawa	439/352 X
5,080,576	1/1992	Swinford	439/35
5,336,114	8/1994	Wang	439/598

Primary Examiner—Joel Sincavage

Attorney, Agent, or Firm—Gifford, Krass, Groh, Sprinkle, Patmore, Anderson & Citkowski

[57] **CLAIM**

The ornamental design for a trailer plug adapter, as shown and described.

DESCRIPTION

FIG. 1 is a perspective view of a trailer plug adapter showing

my new design;

FIG. 2 is a top plan view of the trailer plug adapter;

FIG. 3 is a right side view of the trailer plug adapter;

FIG. 4 is a bottom view of the trailer plug adapter;

FIG. 5 is a front view of the trailer plug adapter;

FIG. 6 is a left side view of the trailer plug adapter;

FIG. 7 is a rear view of the trailer plug adapter;

FIG. 8 is a bottom view of a second embodiment of the present design;

FIG. 9 is a perspective view of the second embodiment;

FIG. 10 is a top plan view of the second embodiment;

FIG. 11 is a right side view of the second embodiment;

FIG. 12 is an alternative bottom view of the second embodiment;

FIG. 13 is a left side view of the second embodiment;

FIG. 14 is a rear view of the second embodiment;

FIG. 15 is a front view of the second embodiment;

FIG. 16 is a perspective view of a third embodiment of the present design;

FIG. 17 is a top plan view of the third embodiment;

FIG. 18 is a right side view of the third embodiment;

FIG. 19 is a left side view of the third embodiment;

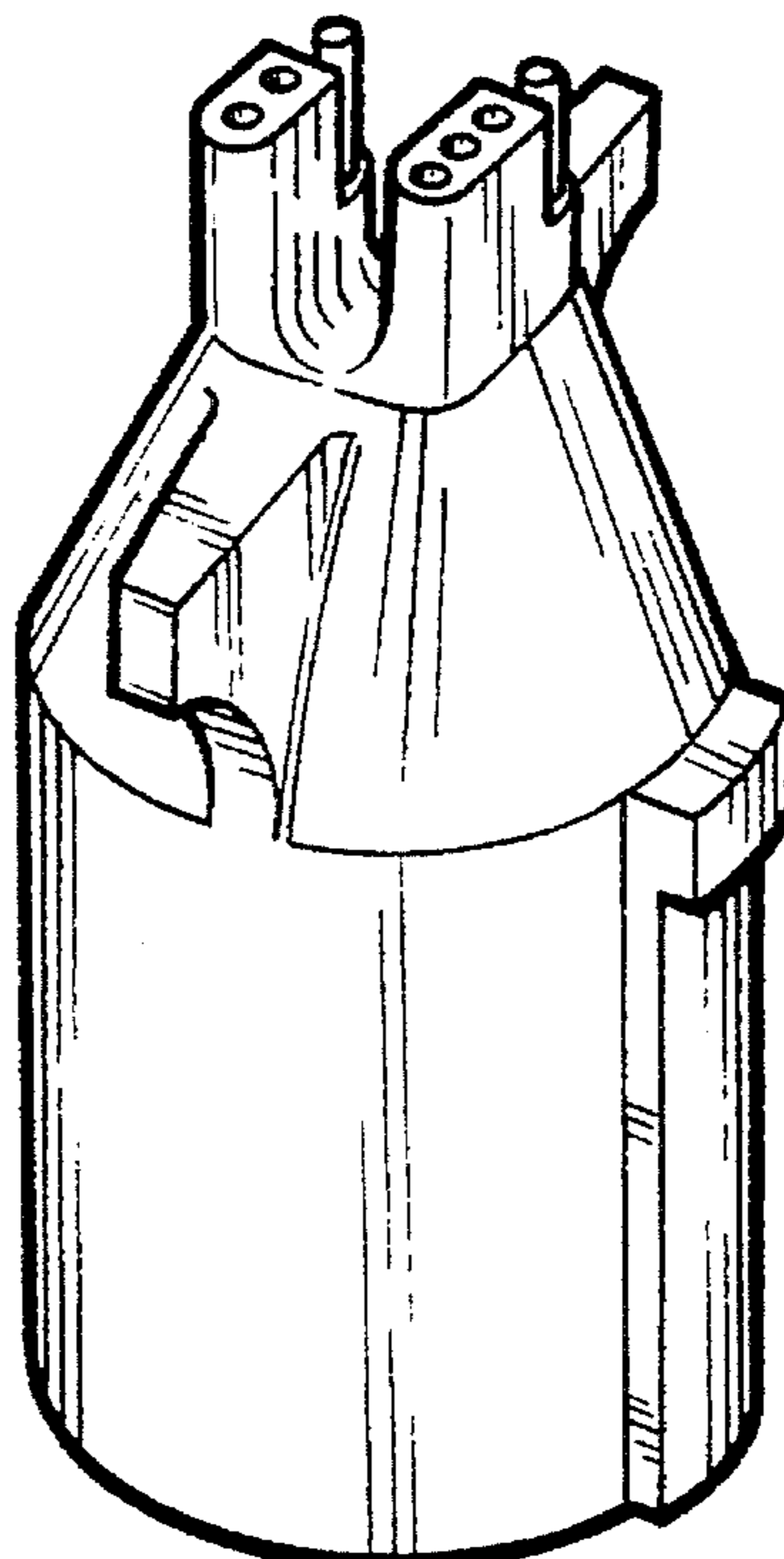
FIG. 20 is a front view of the third embodiment;

FIG. 21 is a rear view of the third embodiment; and,

FIG. 22 is a bottom view of the third embodiment.

A description of the appearance of the trailer plug adapter, is as follows:

1 Claim, 3 Drawing Sheets



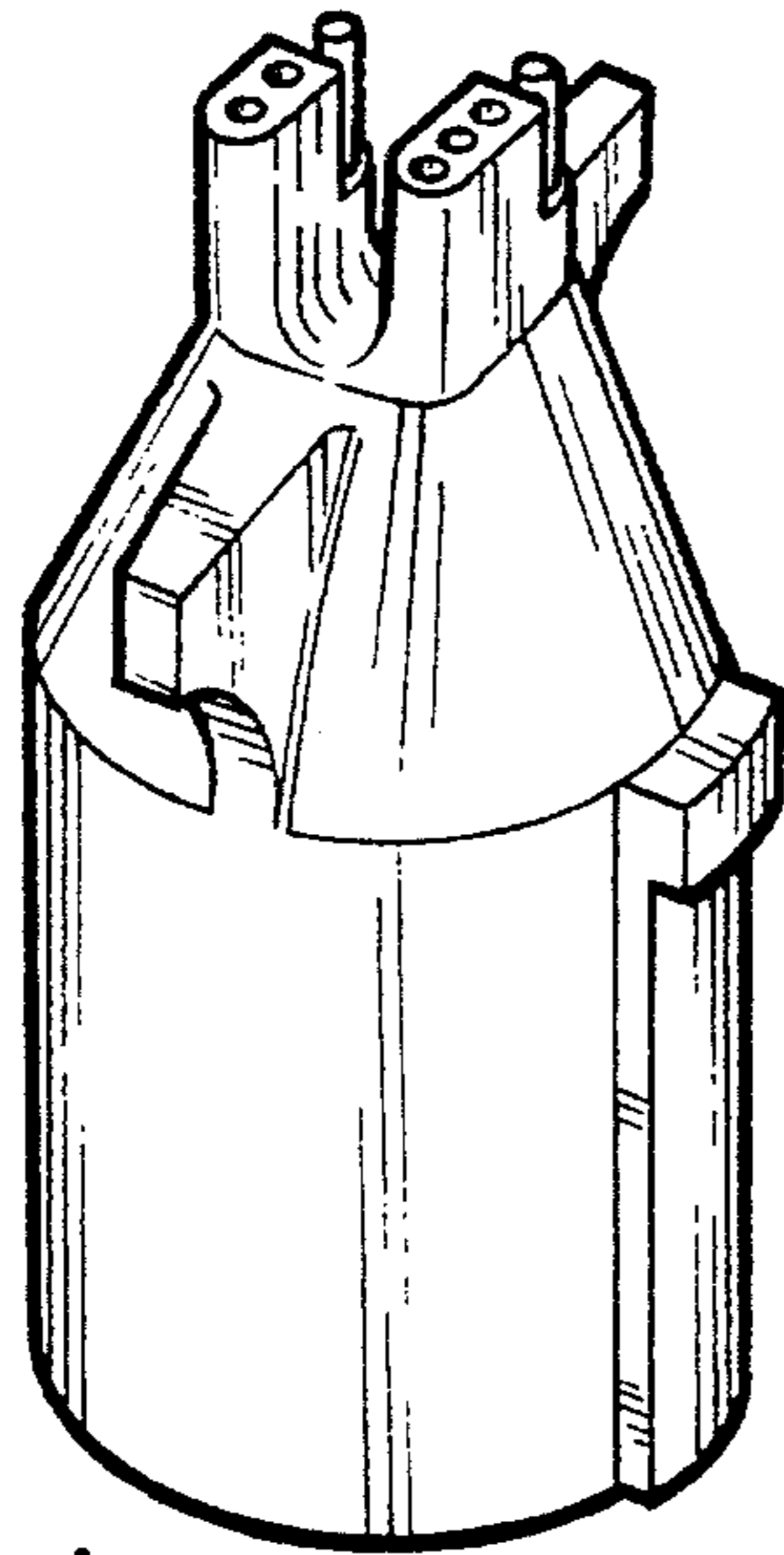


Fig-1

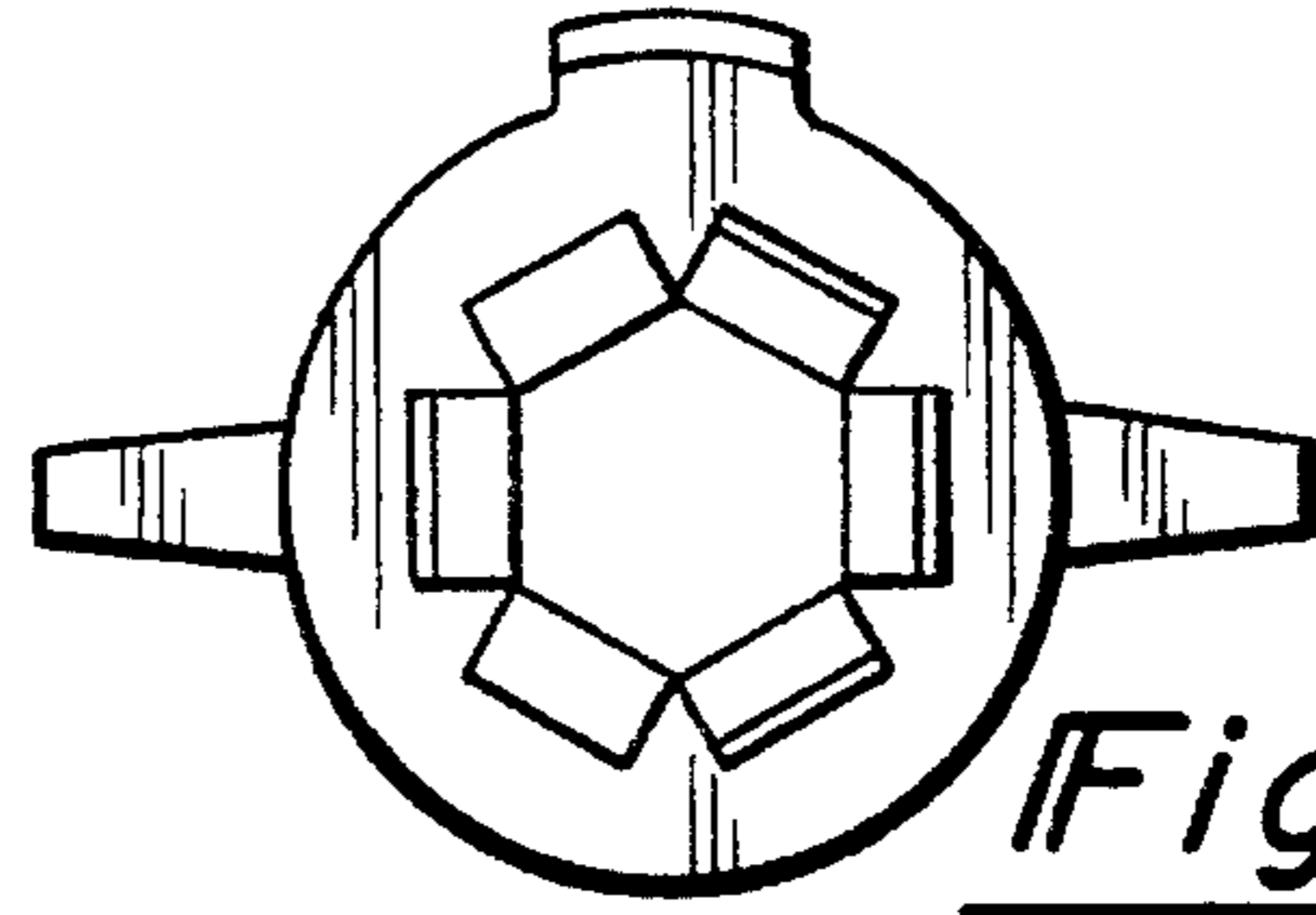


Fig-4

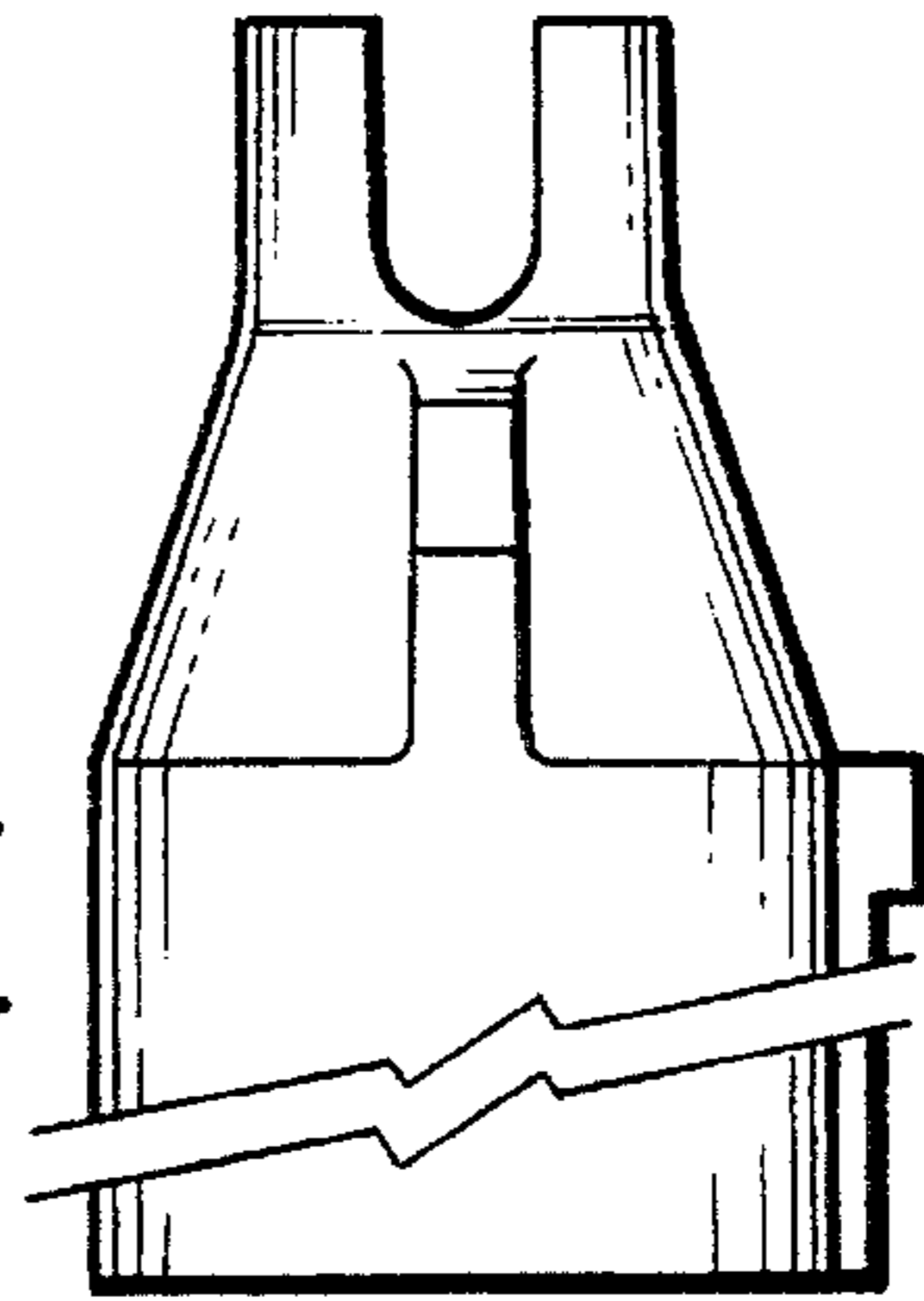


Fig-5

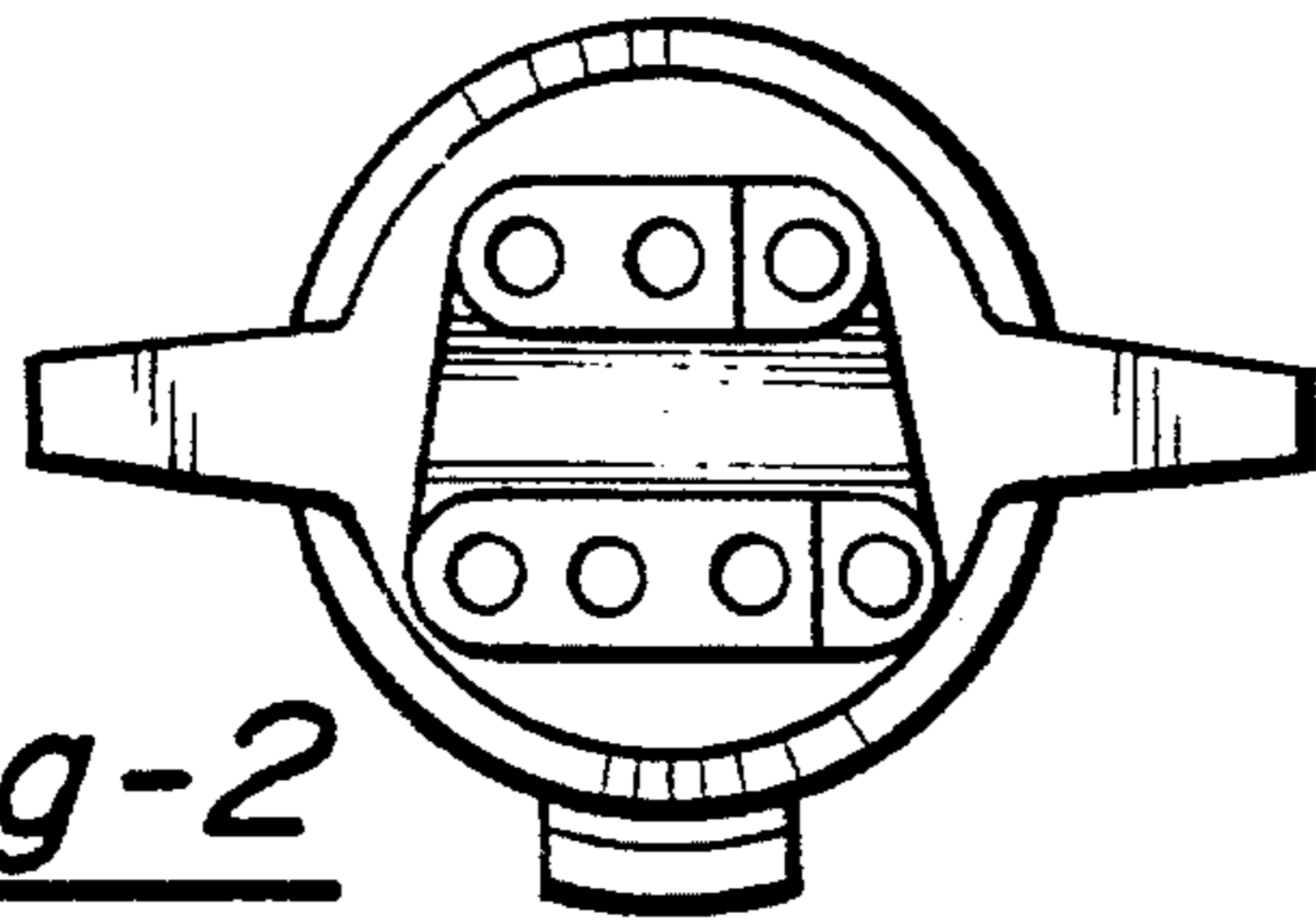


Fig-2

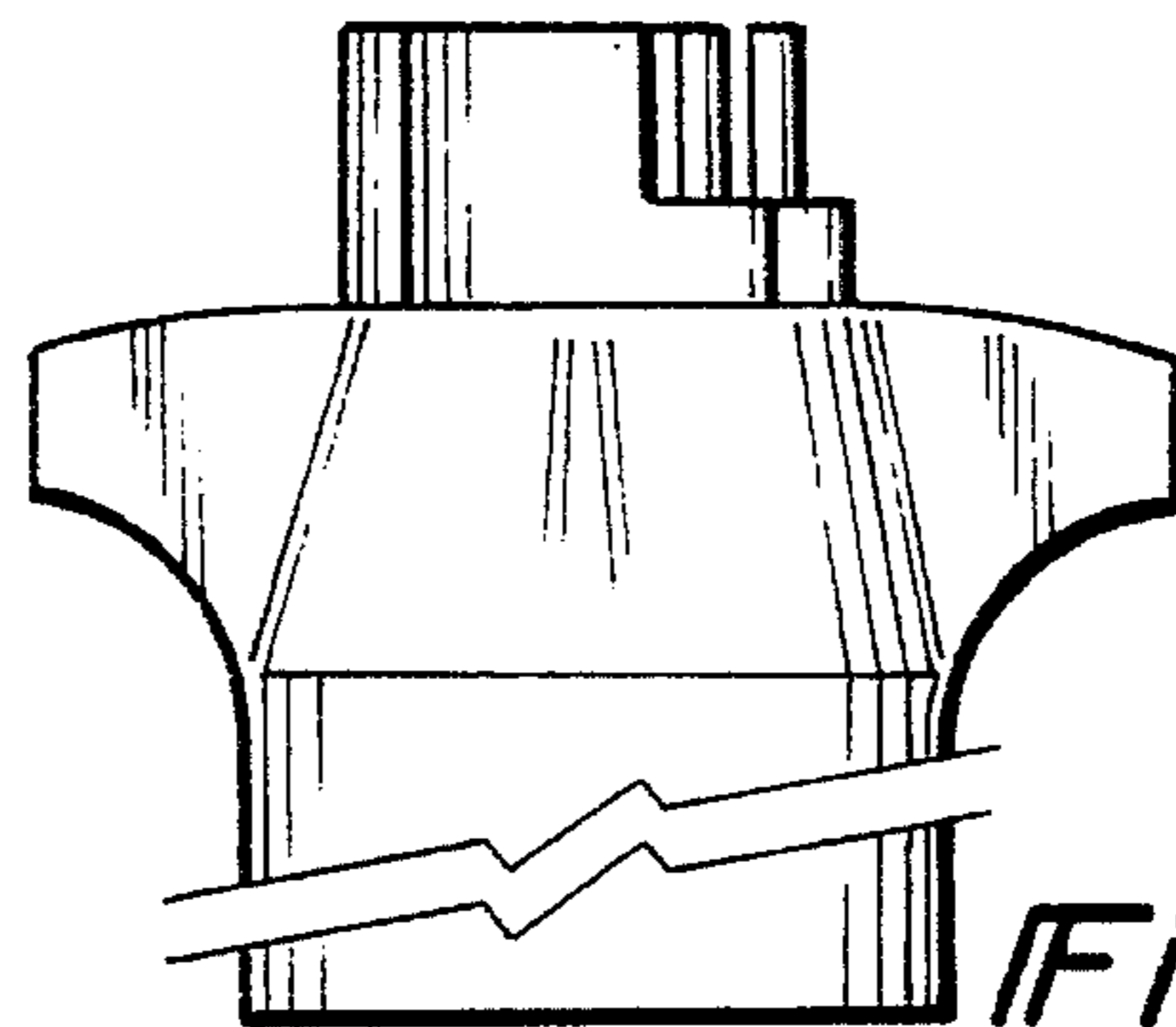


Fig-6

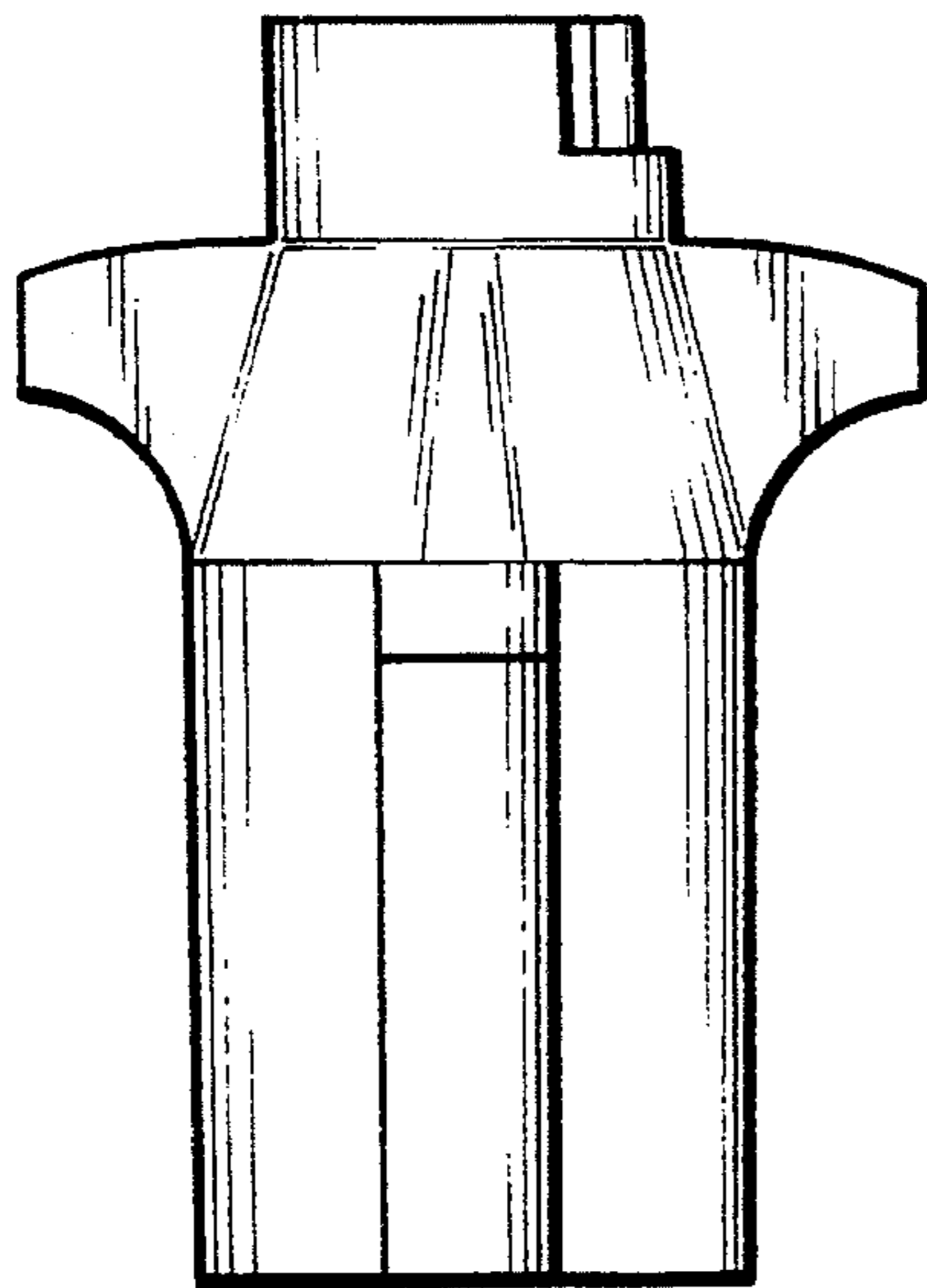


Fig-3

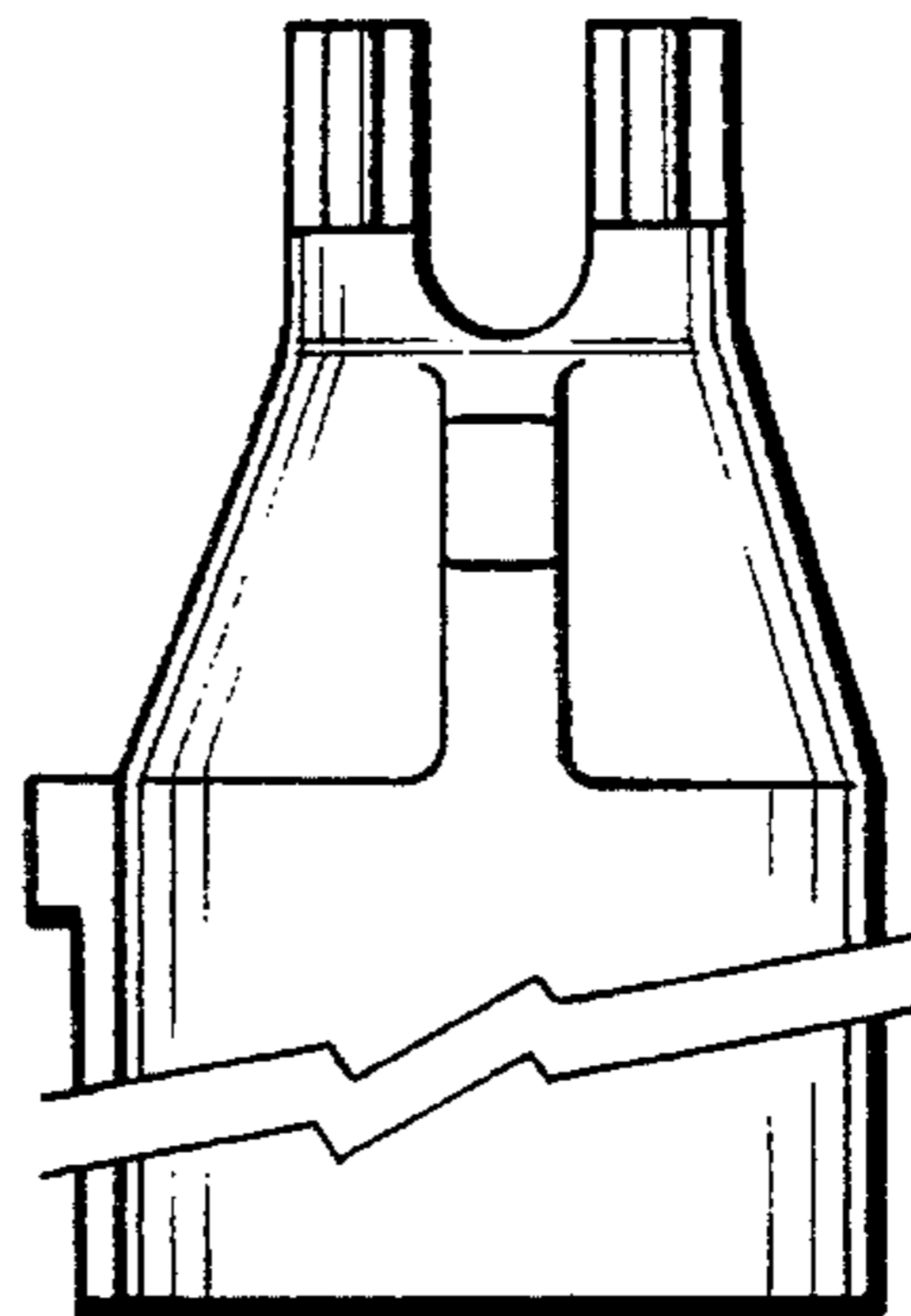
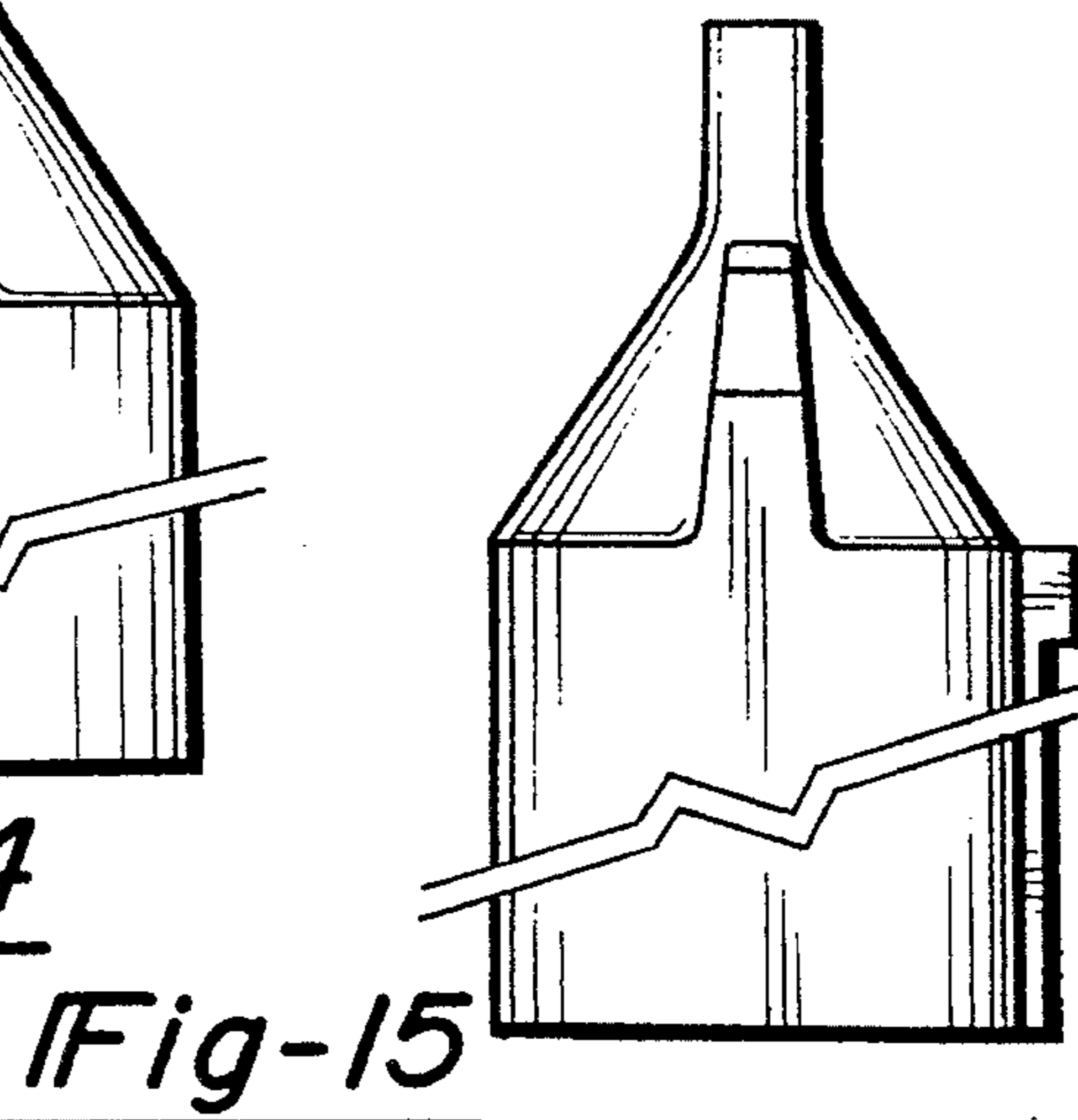
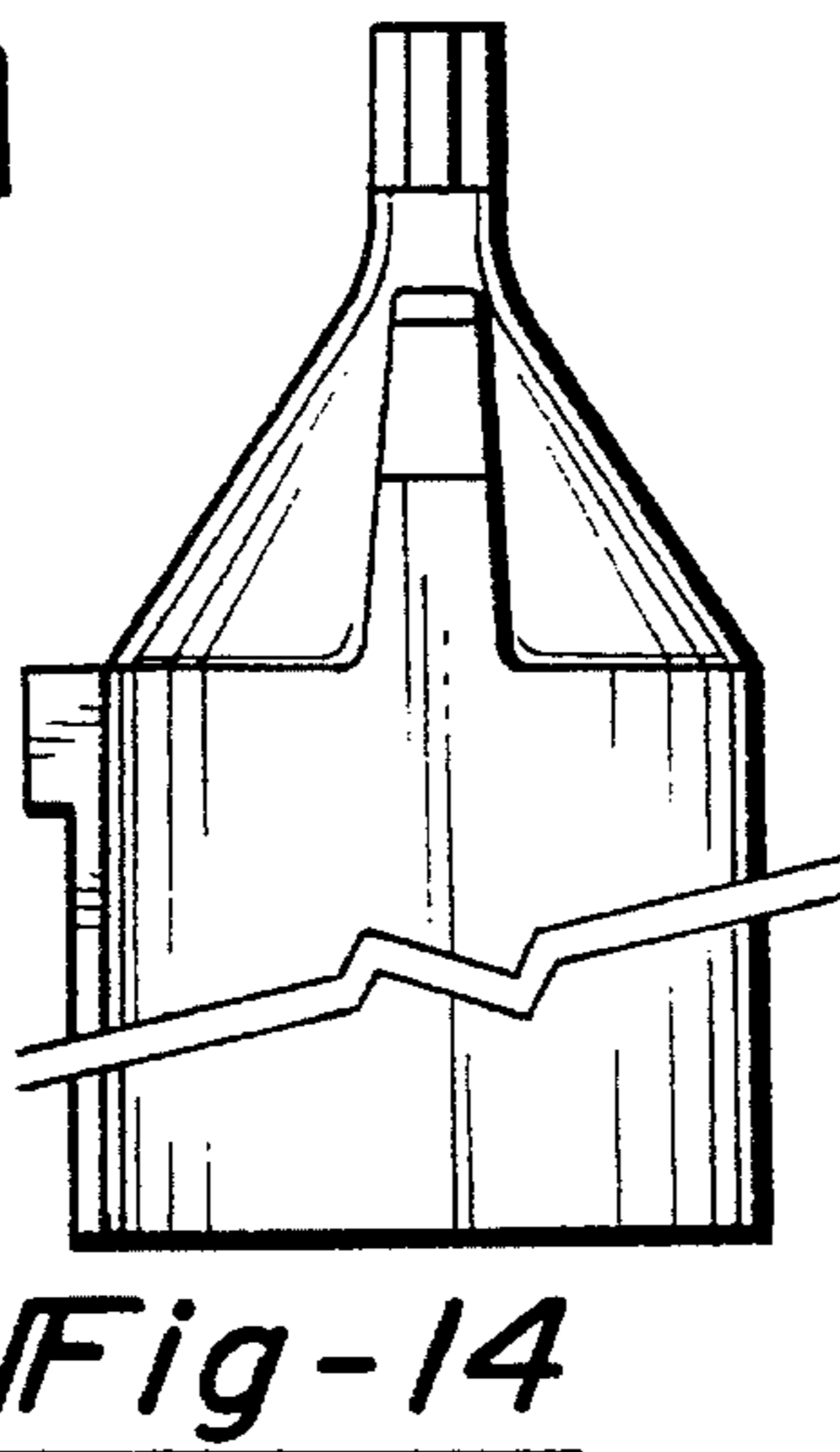
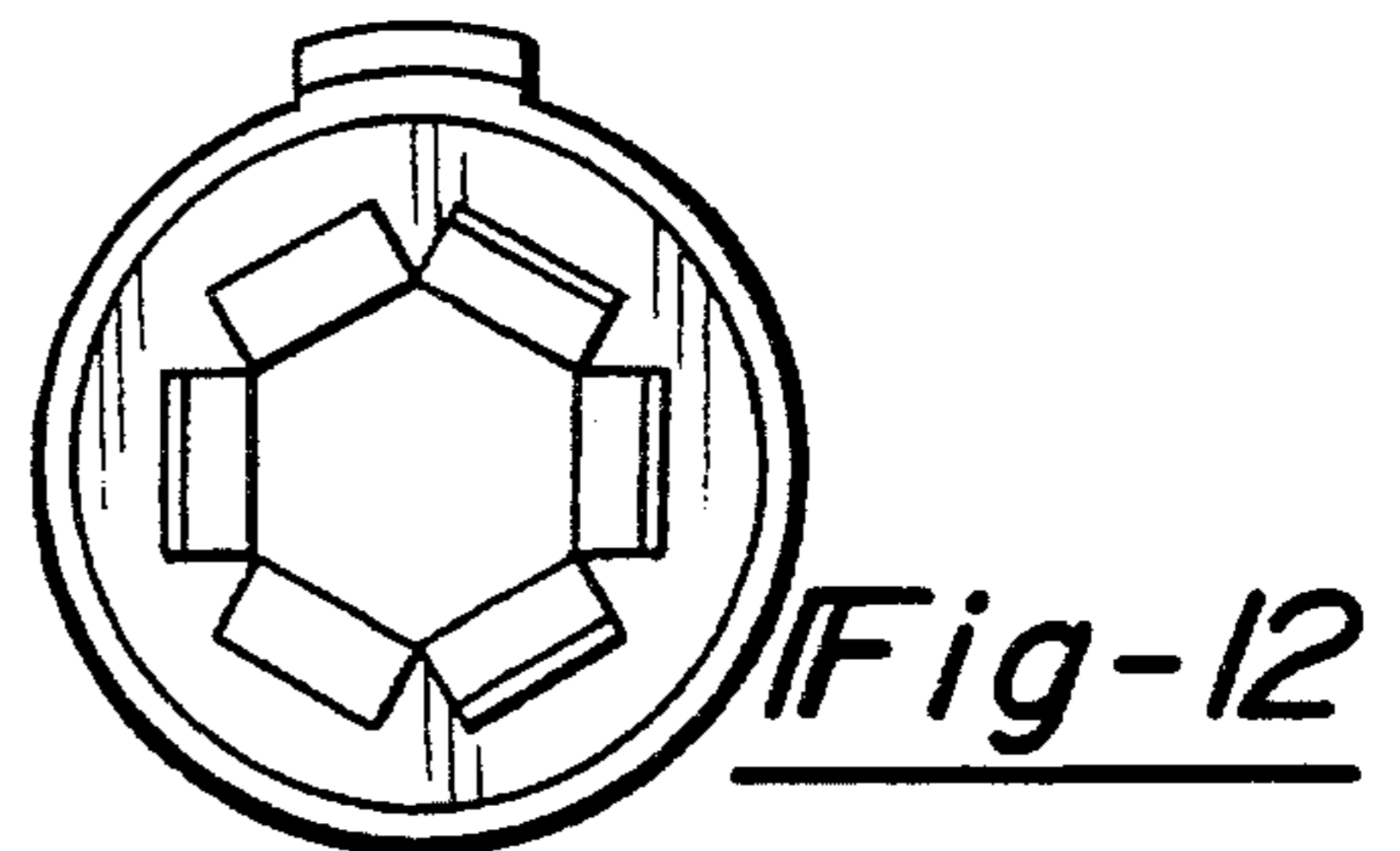
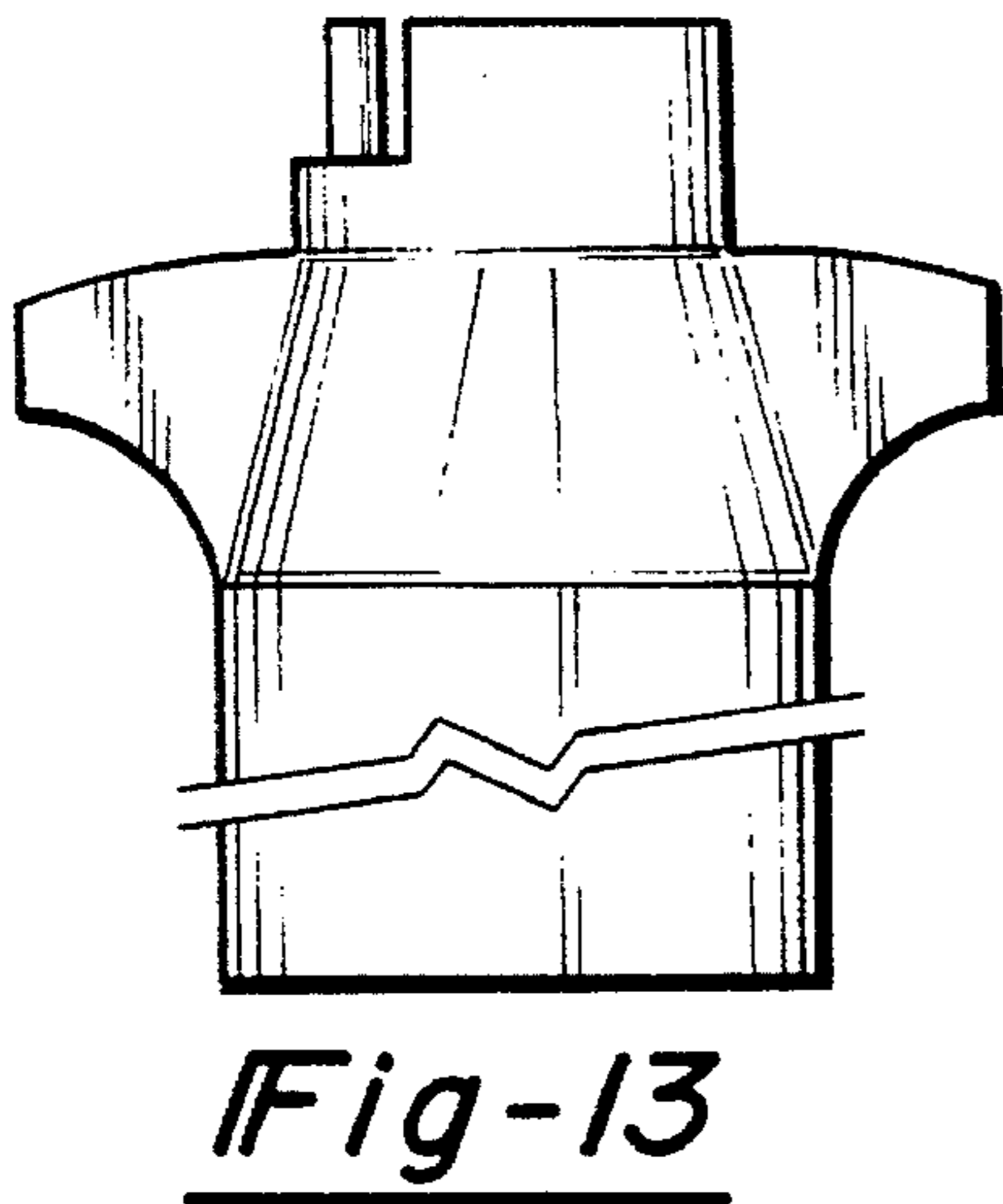
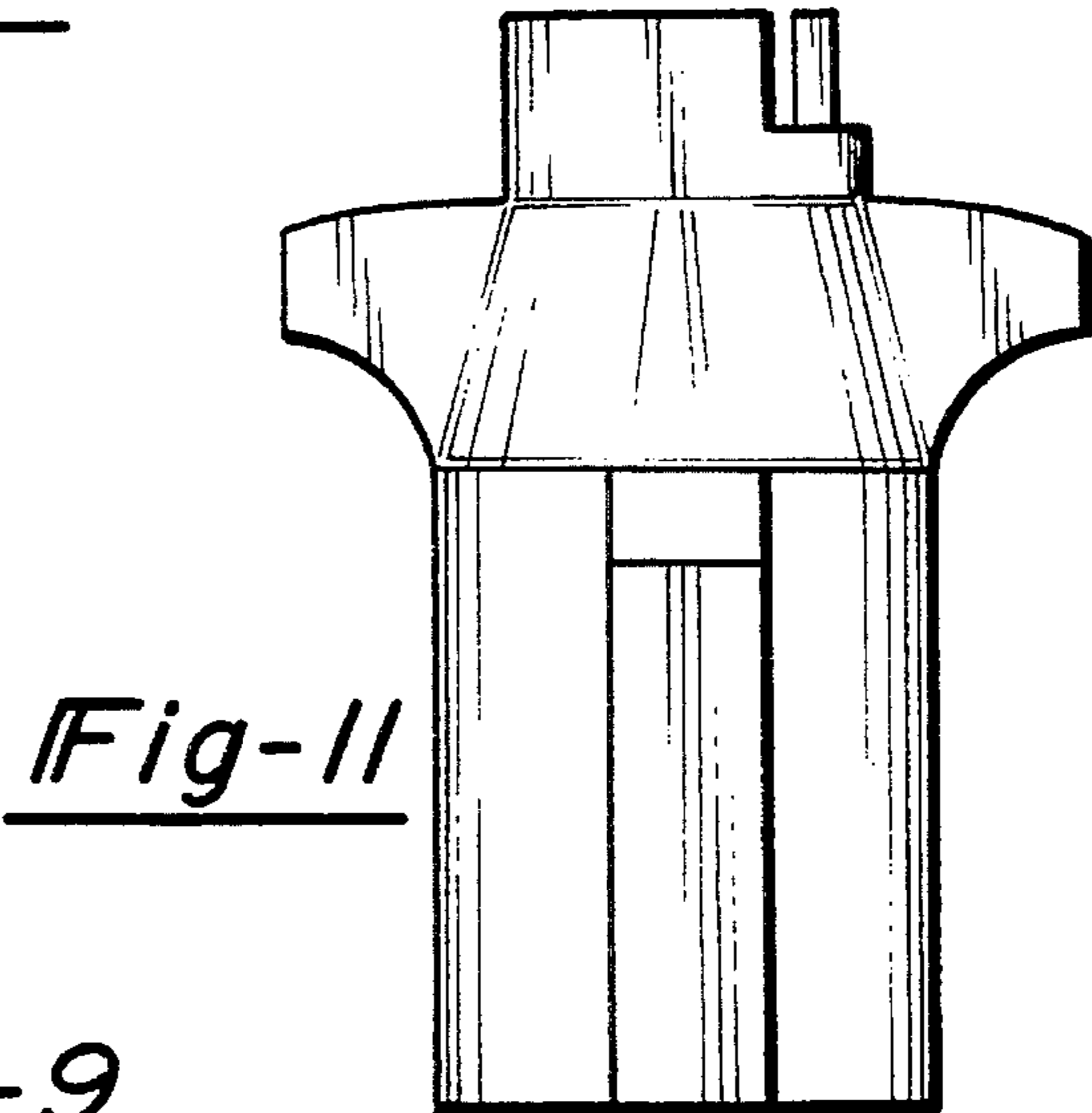
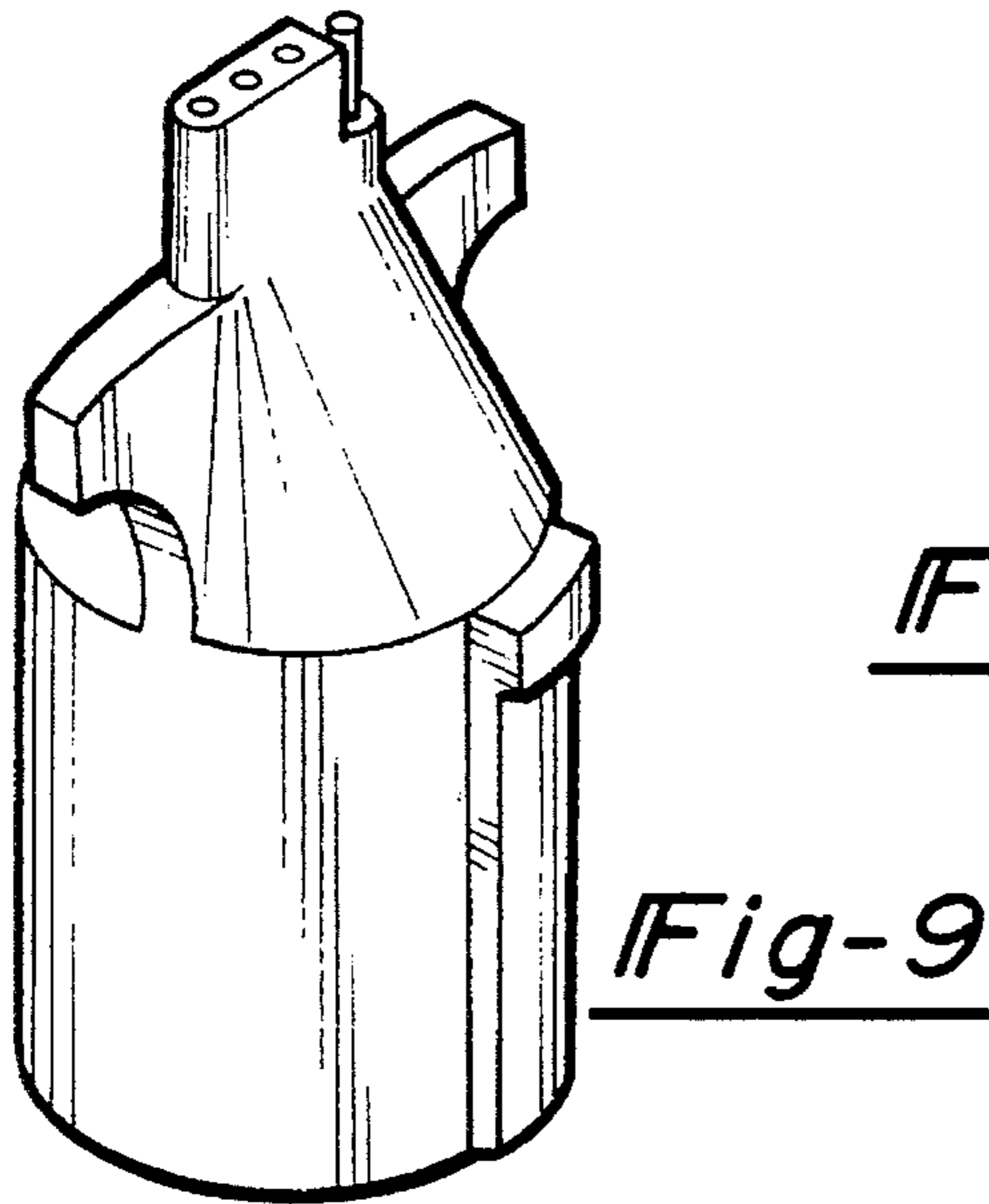
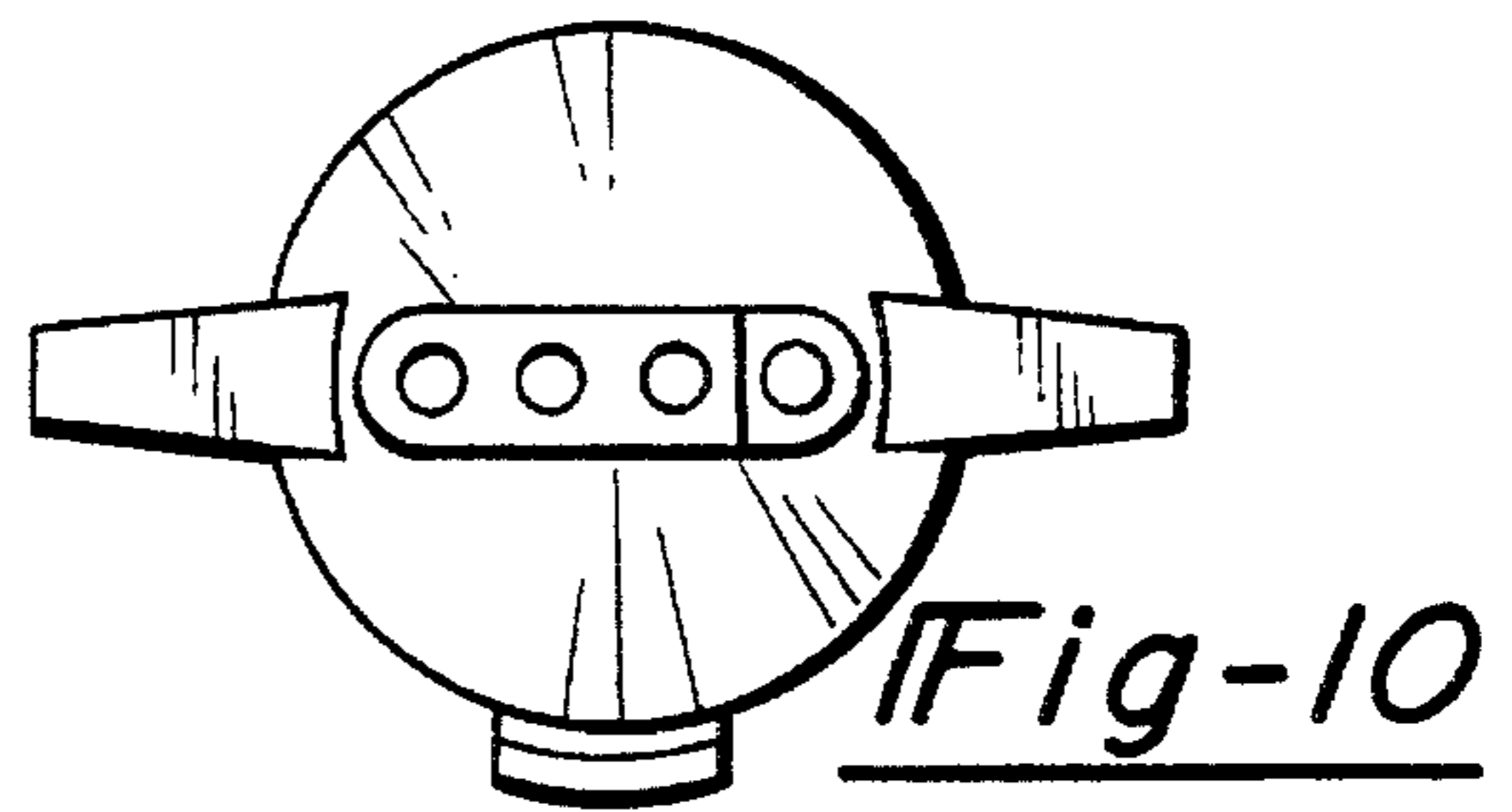
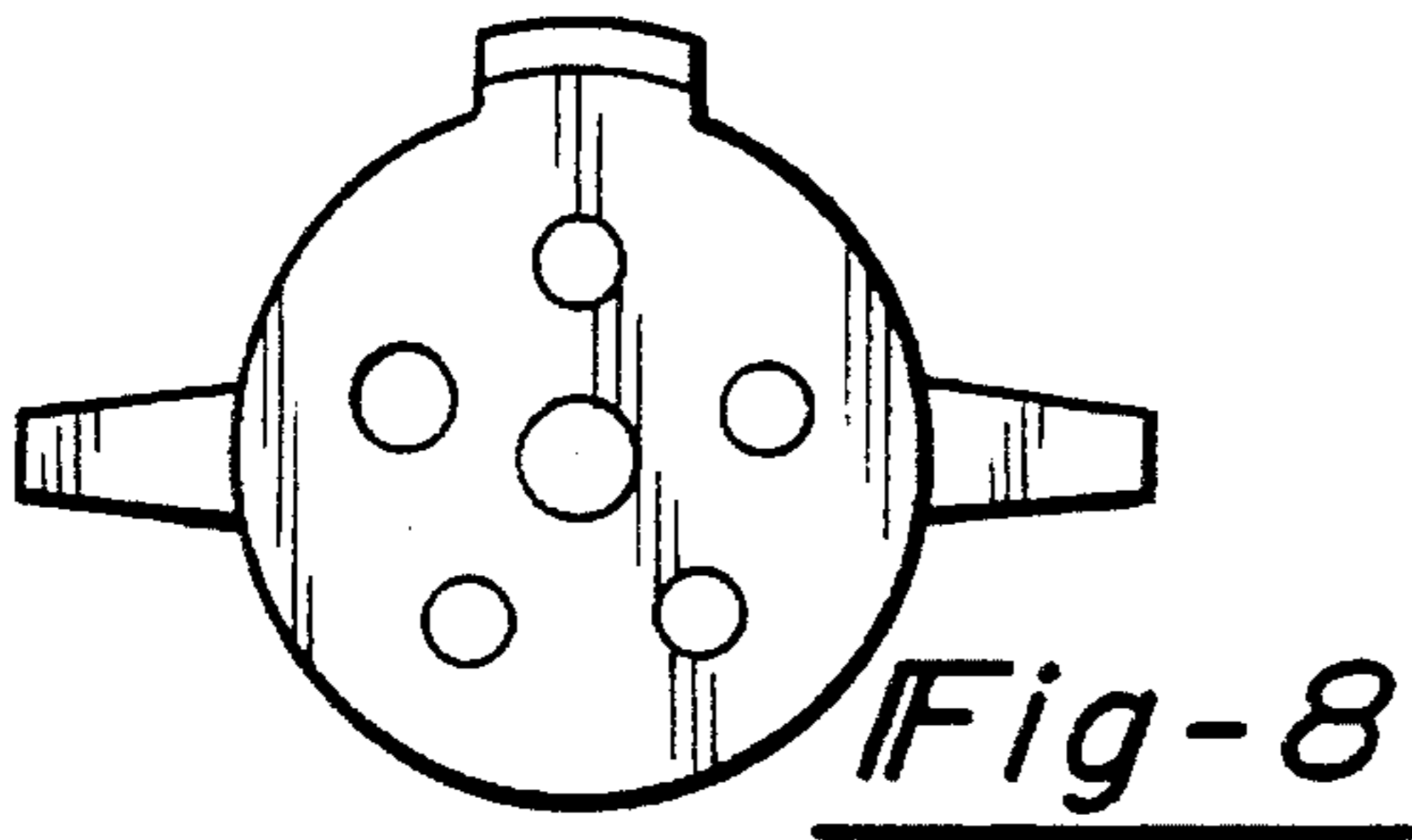


Fig-7



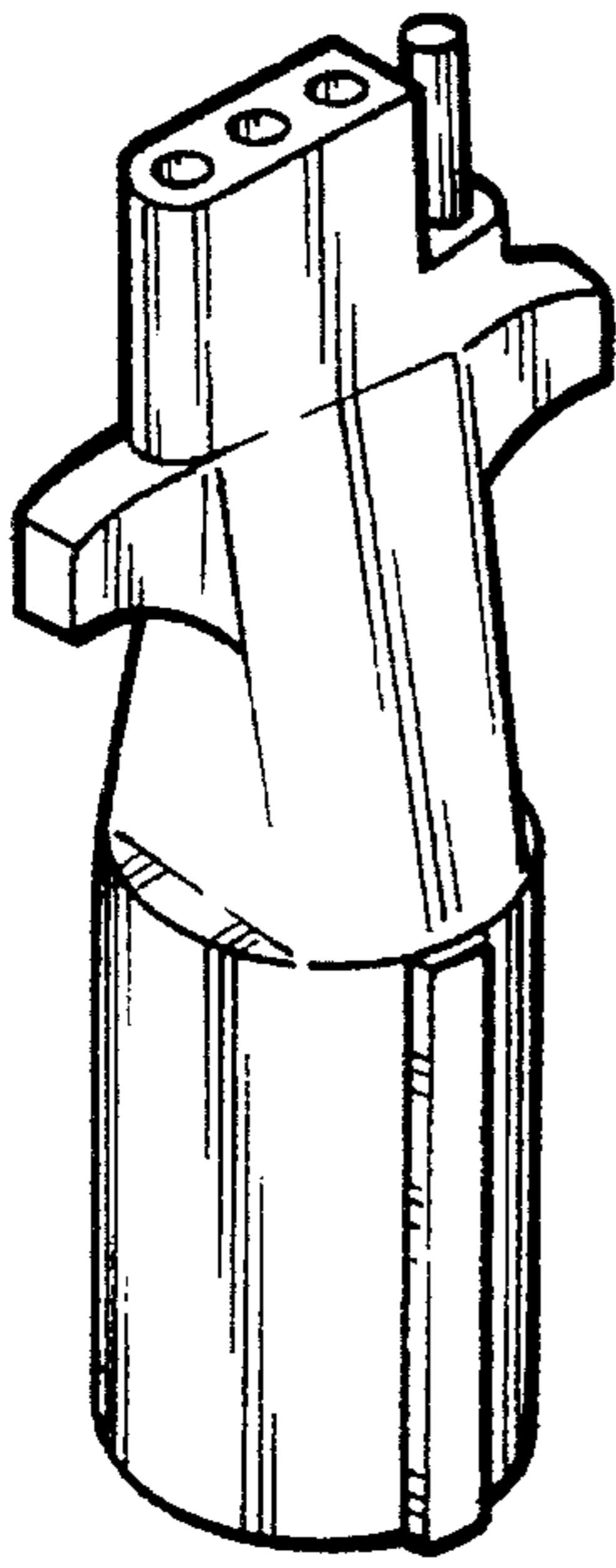


Fig-16

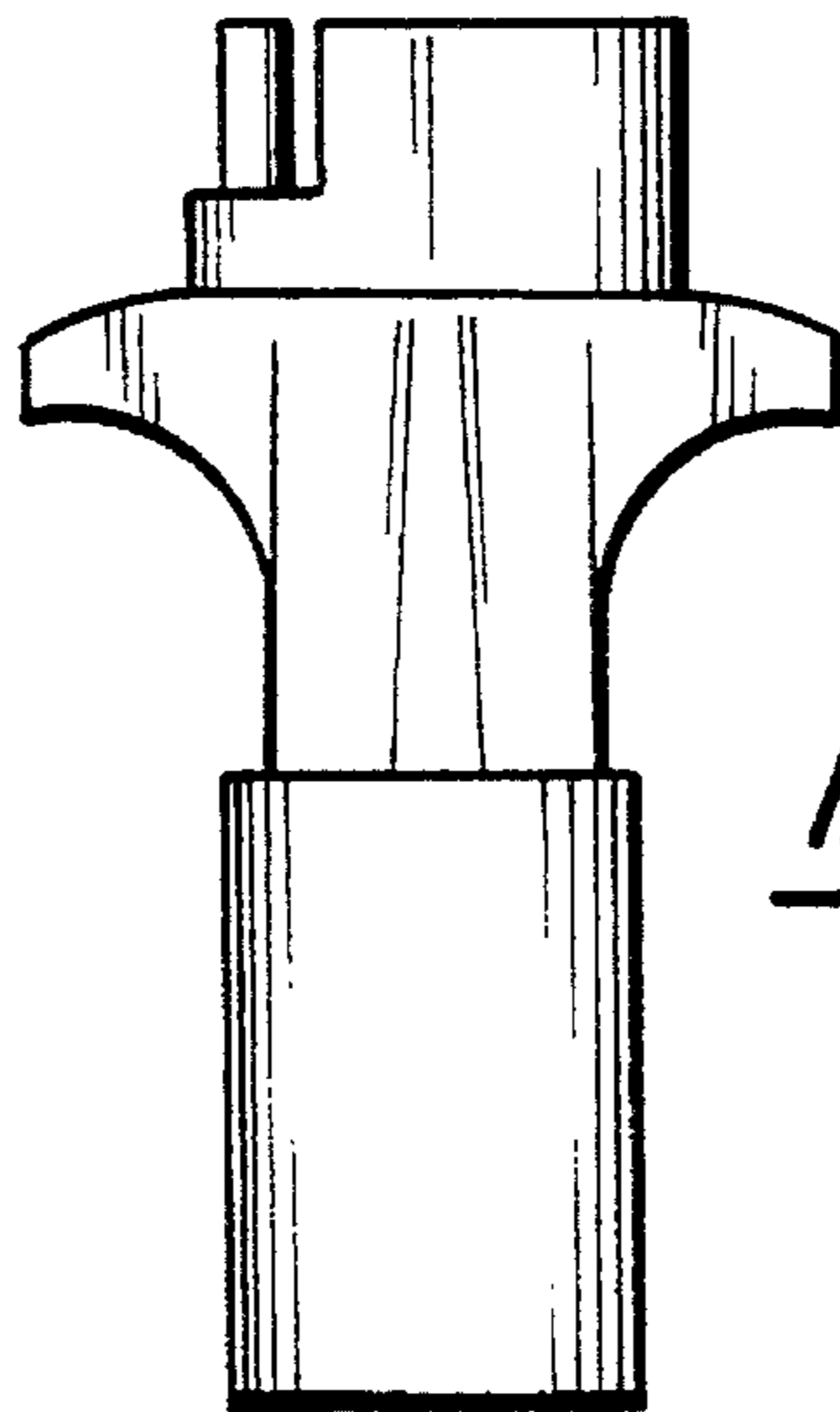


Fig-19

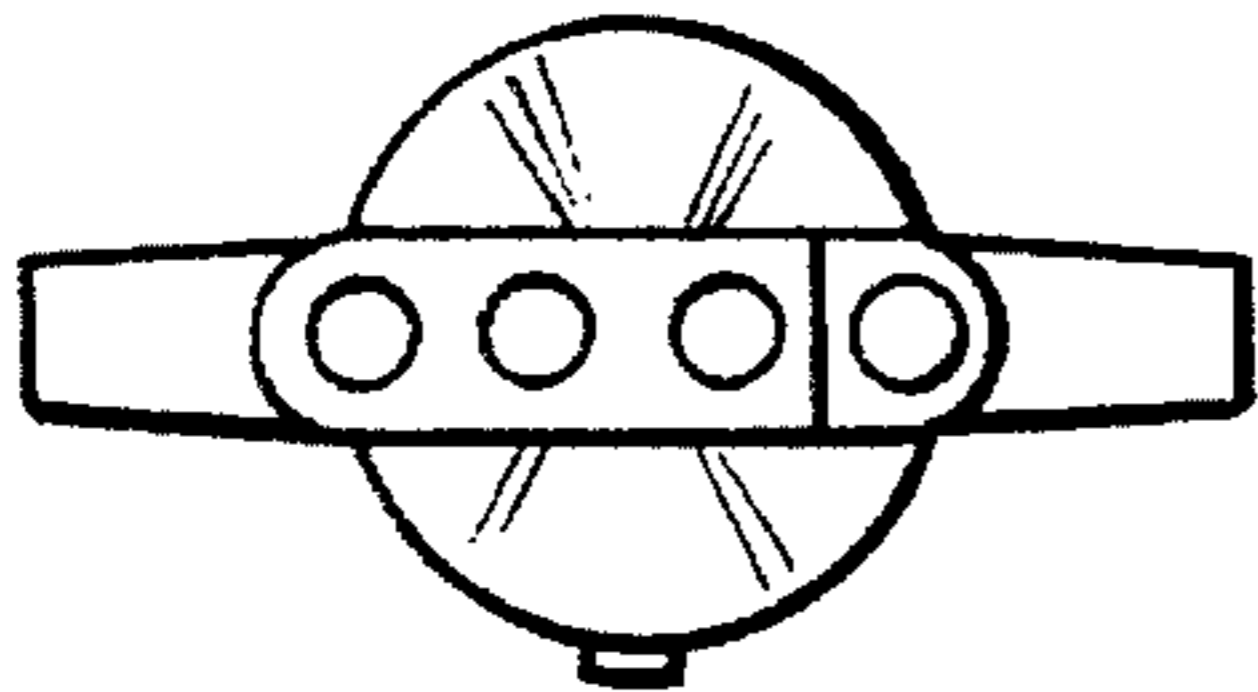


Fig-17

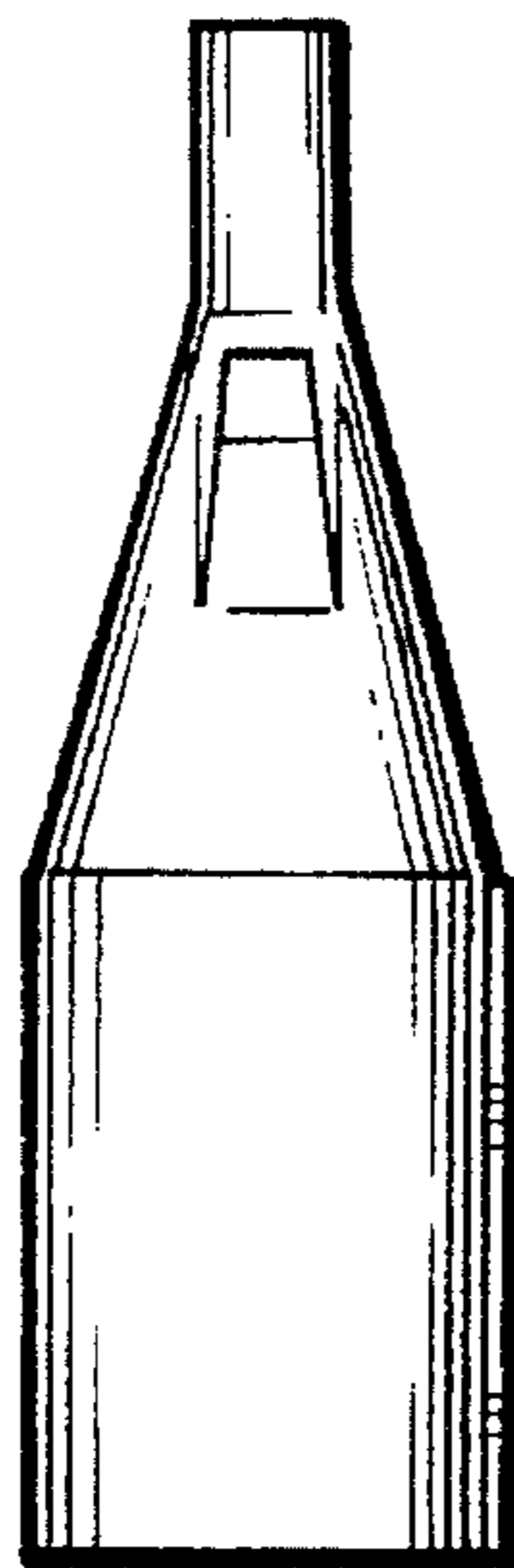


Fig-20

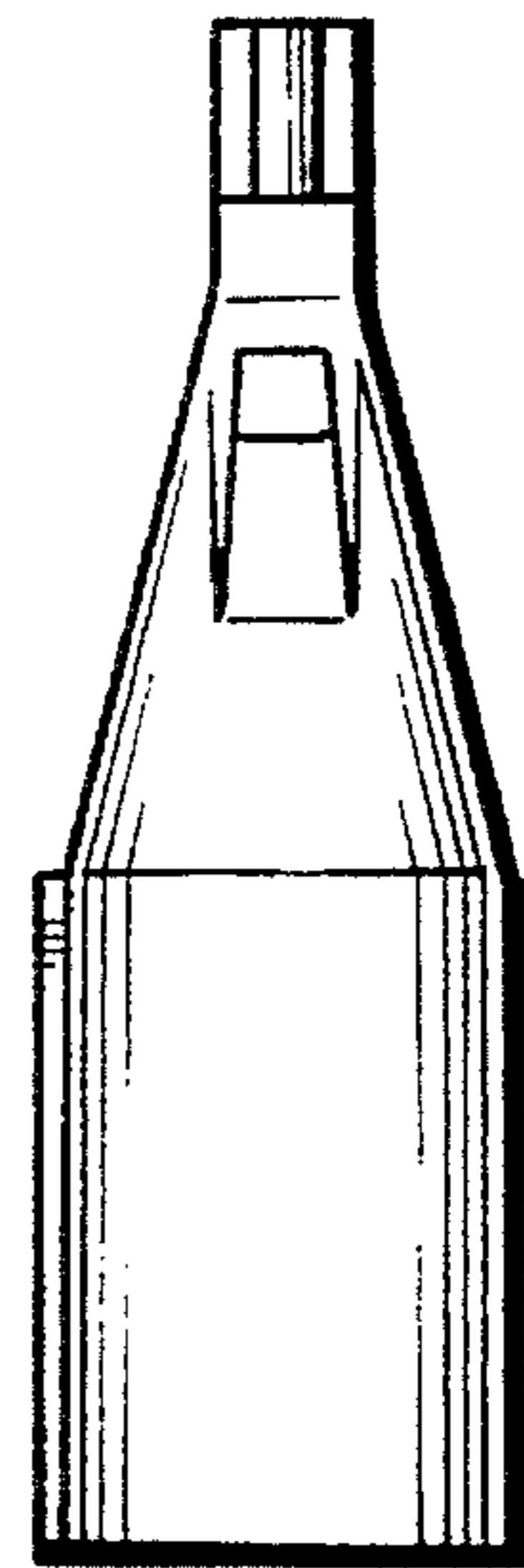


Fig-21

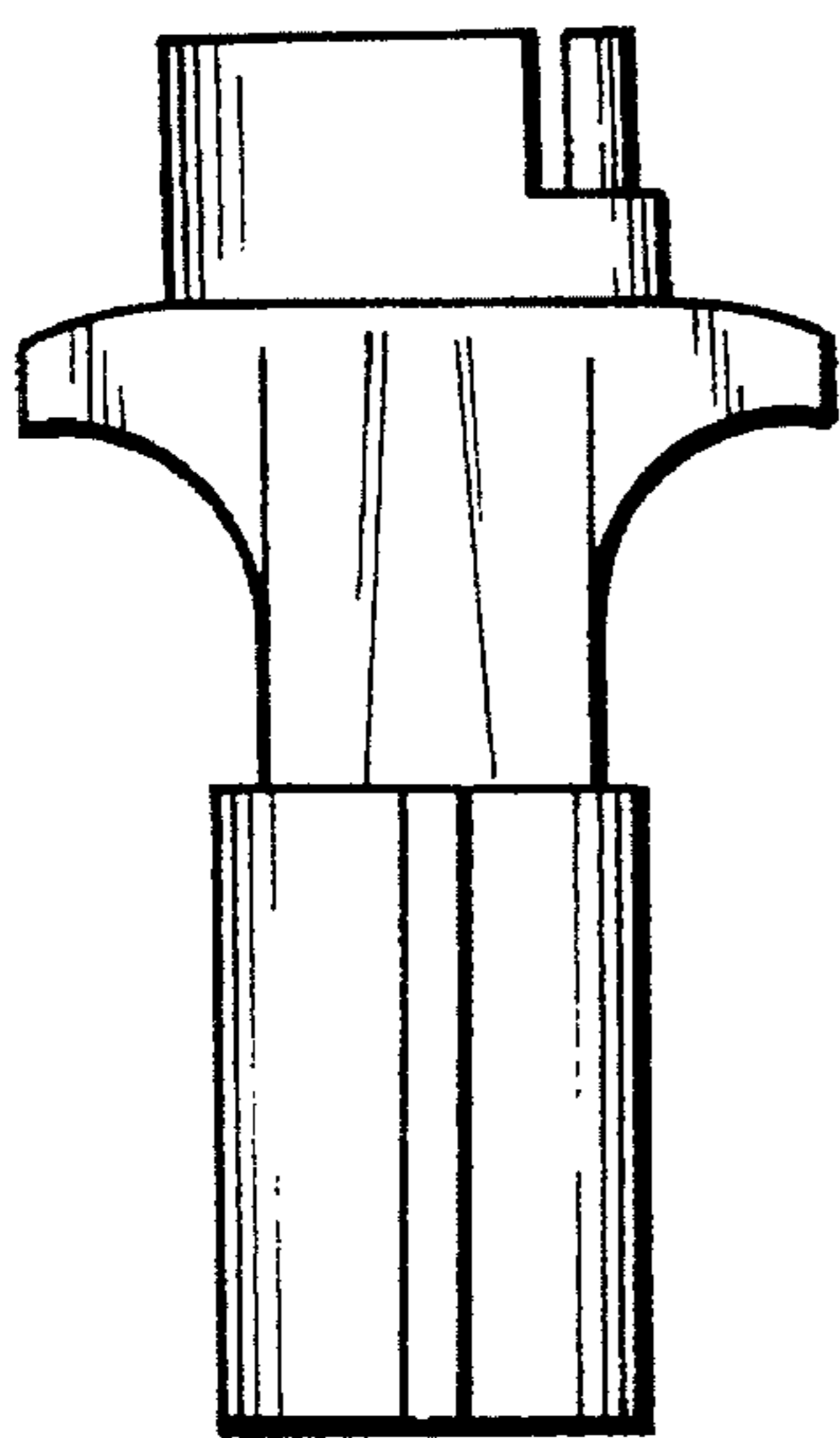


Fig-18

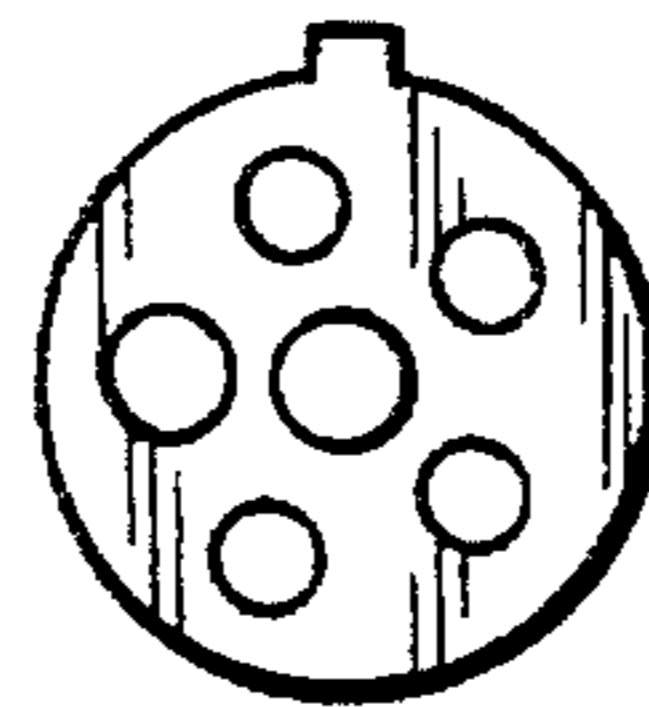


Fig-22