



US00D366239S

United States Patent [19]

Eaton

[11] Patent Number: **Des. 366,239**

[45] Date of Patent: ****Jan. 16, 1996**

[54] **PARALLEL MOUNTING HYBRID MODULAR ELECTRICAL POWER CONNECTOR**

5,055,055 10/1991 Bakker 439/78

[75] Inventor: **Larry D. Eaton**, Fremont, Calif.

[73] Assignee: **TVM, Inc.**, Fremont, Calif.

[**] Term: **14 Years**

[21] Appl. No.: **28,810**

[22] Filed: **Sep. 22, 1994**

[52] U.S. Cl. **D13/146**

[58] Field of Search D13/133, 146,
D13/147; 439/59, 76, 78, 79, 80, 82, 248,
552, 555, 562, 567, 572, 686, 844

[56] **References Cited**

U.S. PATENT DOCUMENTS

D. 290,249	6/1987	Knickerbocker et al.	D13/147
D. 302,422	7/1989	Justiano et al.	D13/133
3,054,078	9/1962	Baschkin	339/18
3,456,231	7/1969	Paullus et al.	339/60
3,471,822	10/1969	Van Baelen	339/18
4,090,764	5/1978	Malsby et al.	339/103 M
4,749,357	6/1988	Foley	439/80
4,824,380	4/1989	Matthews	439/78
4,846,737	7/1989	Jorroch et al.	439/686 X

OTHER PUBLICATIONS

Quickie™ IDC system connector on p. 222 of *Dupont Connector Systems Catalog 86A*.

Primary Examiner—Joel Sincavage
Attorney, Agent, or Firm—Burns, Doane, Swecker & Mathis

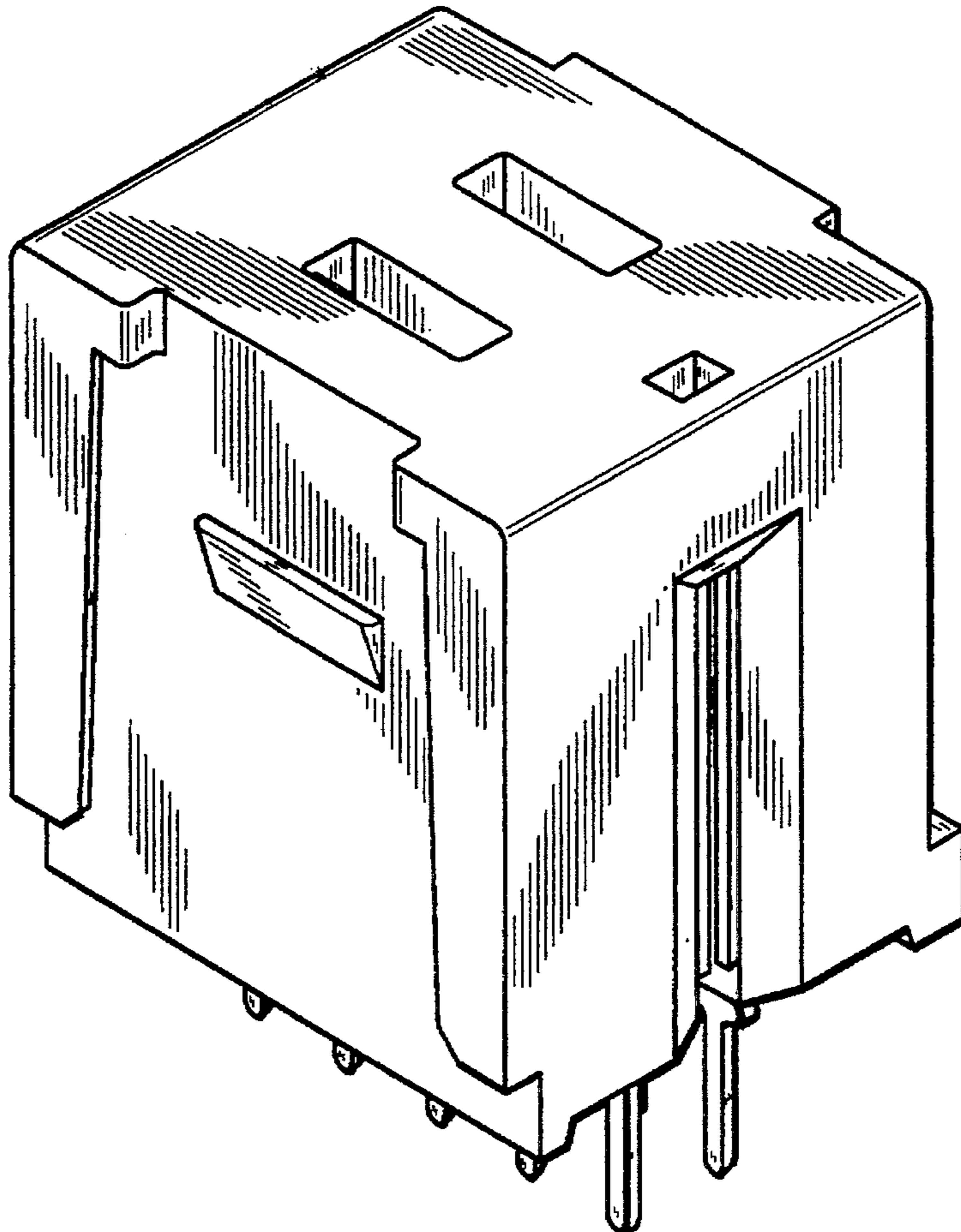
[57] **CLAIM**

The ornamental design for a parallel mounting hybrid modular electrical power connector, as shown and described.

DESCRIPTION

FIG. 1 is a perspective view as seen from the front and upper left of a parallel mounting hybrid modular electrical power connector showing my new design; FIG. 2 is a top plan view thereof; FIG. 3 is a left side elevational view thereof; FIG. 4 is a front elevational view thereof; FIG. 5 is a right side elevational view thereof; FIG. 6 is a back elevational view thereof; FIG. 7 is a bottom plan view thereof; and, FIG. 8 is a perspective view as seen from the rear and lower right thereof.

1 Claim, 3 Drawing Sheets



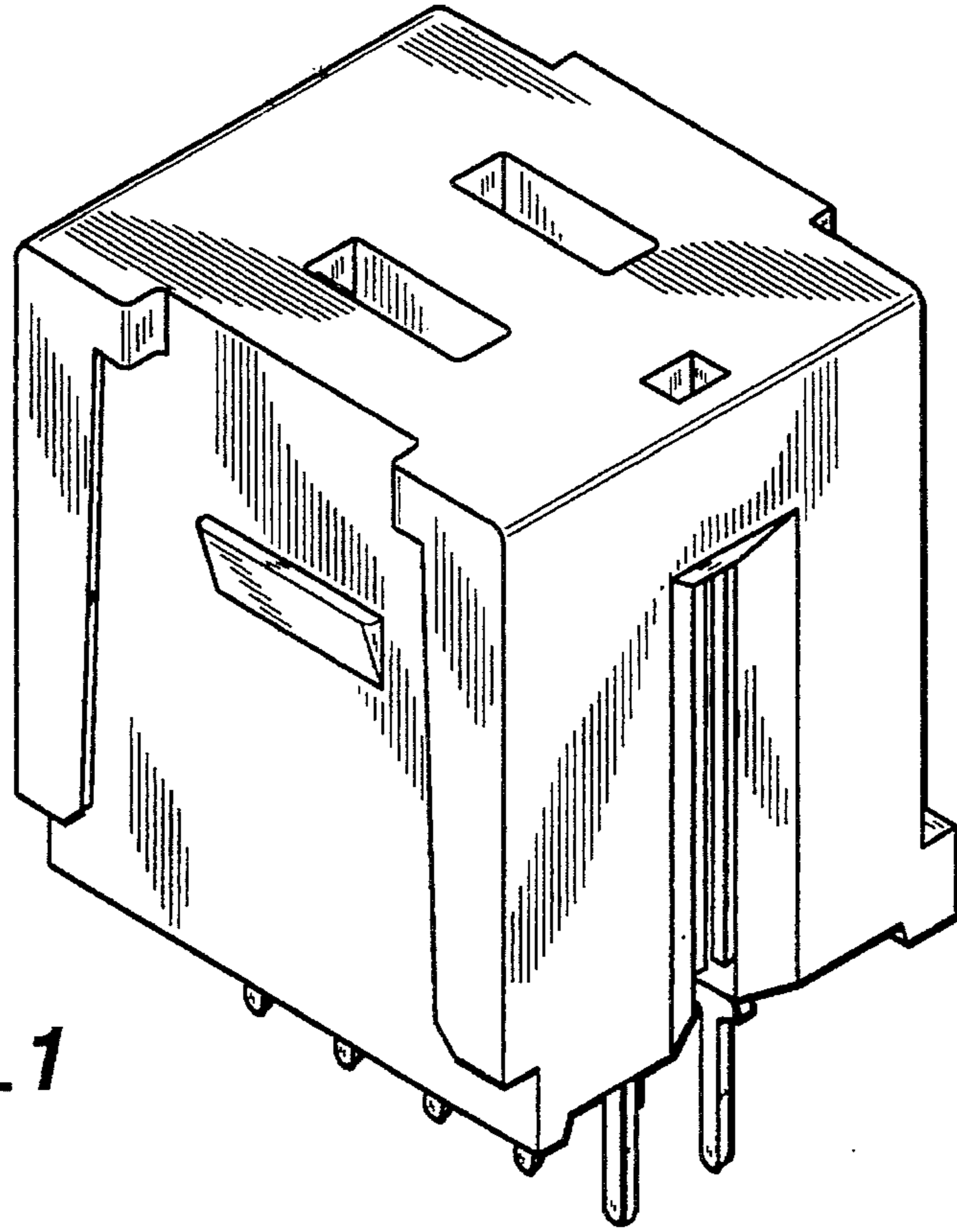


FIG._1

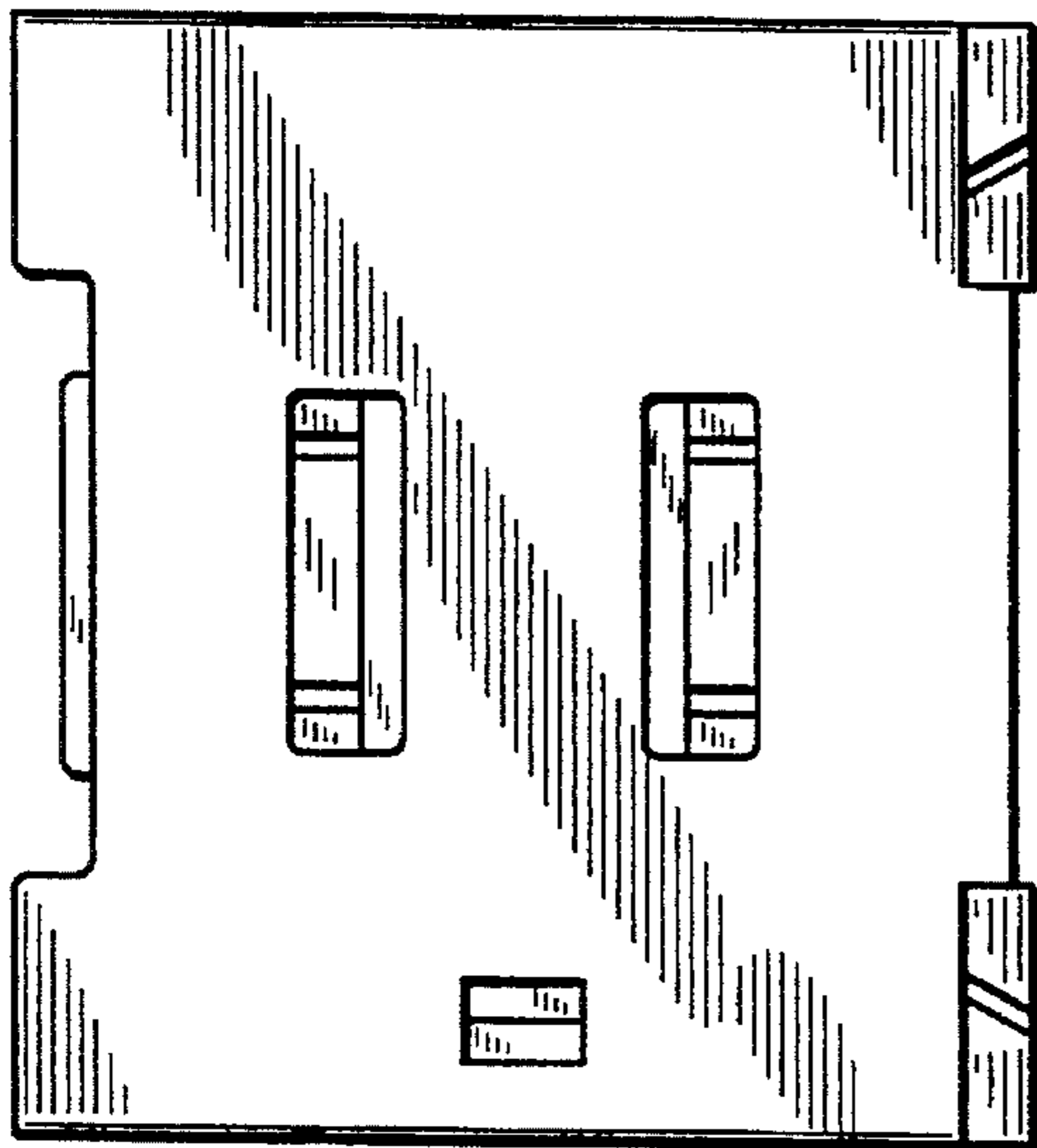


FIG._2

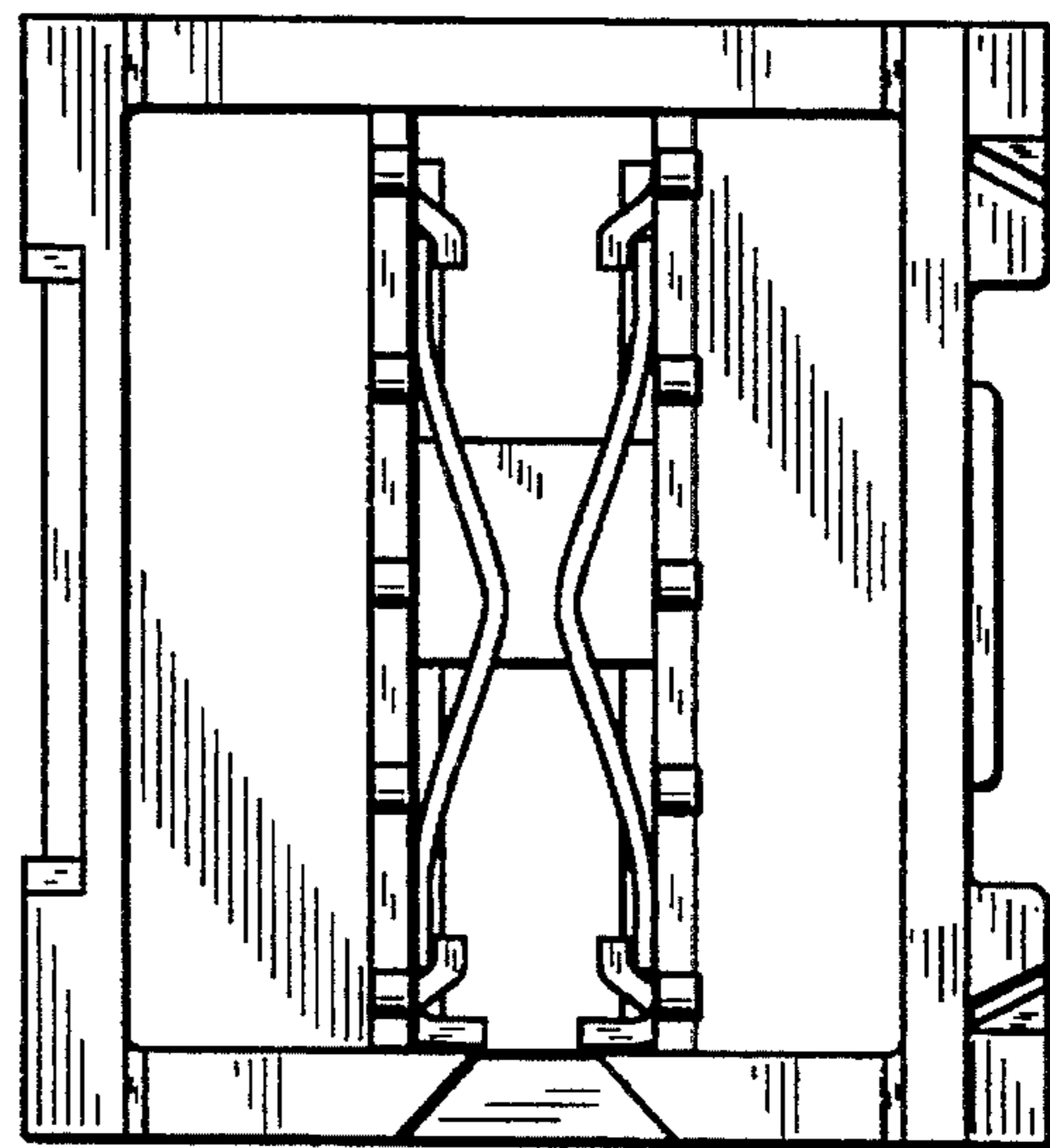


FIG._7

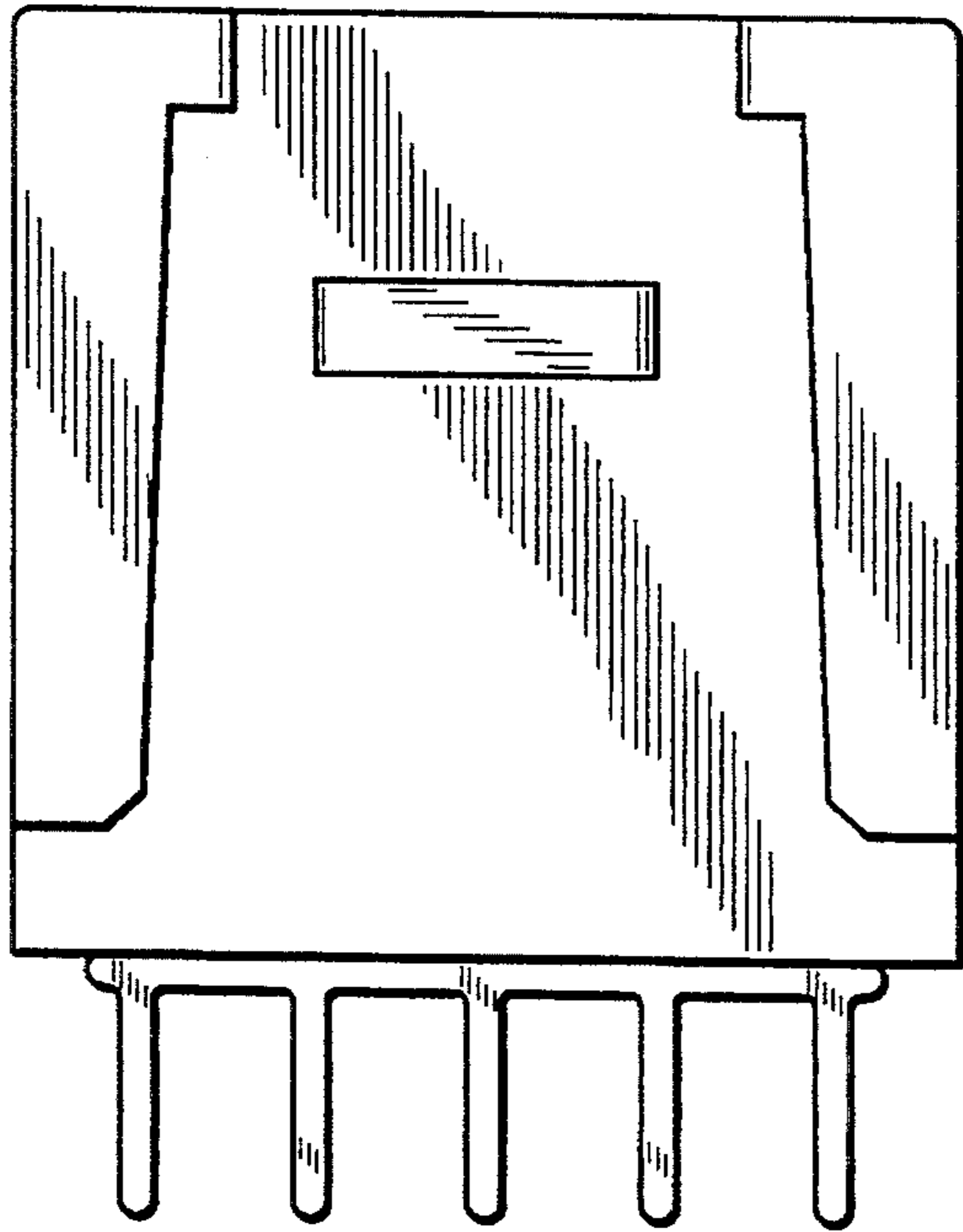


FIG._3

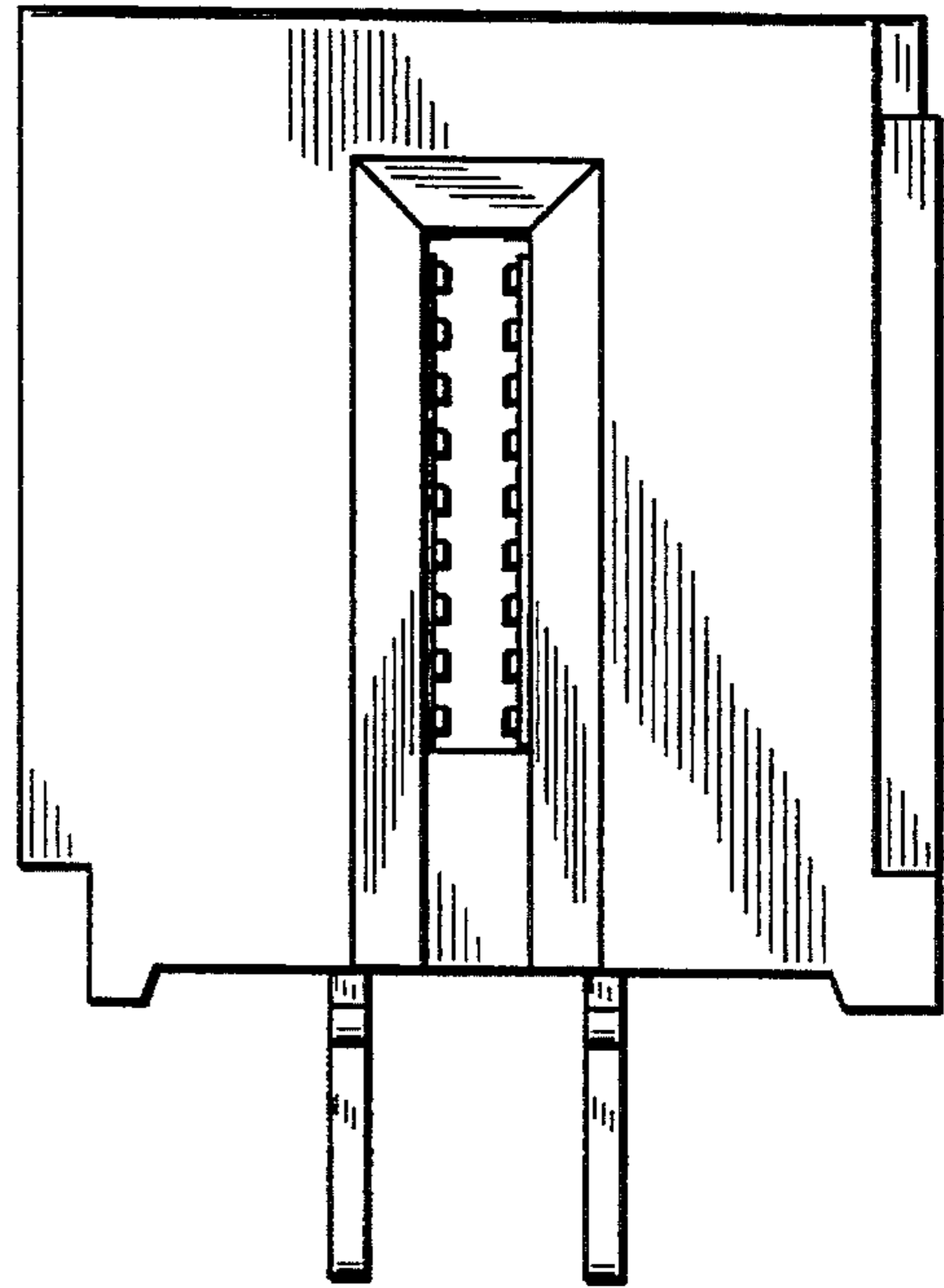


FIG._4

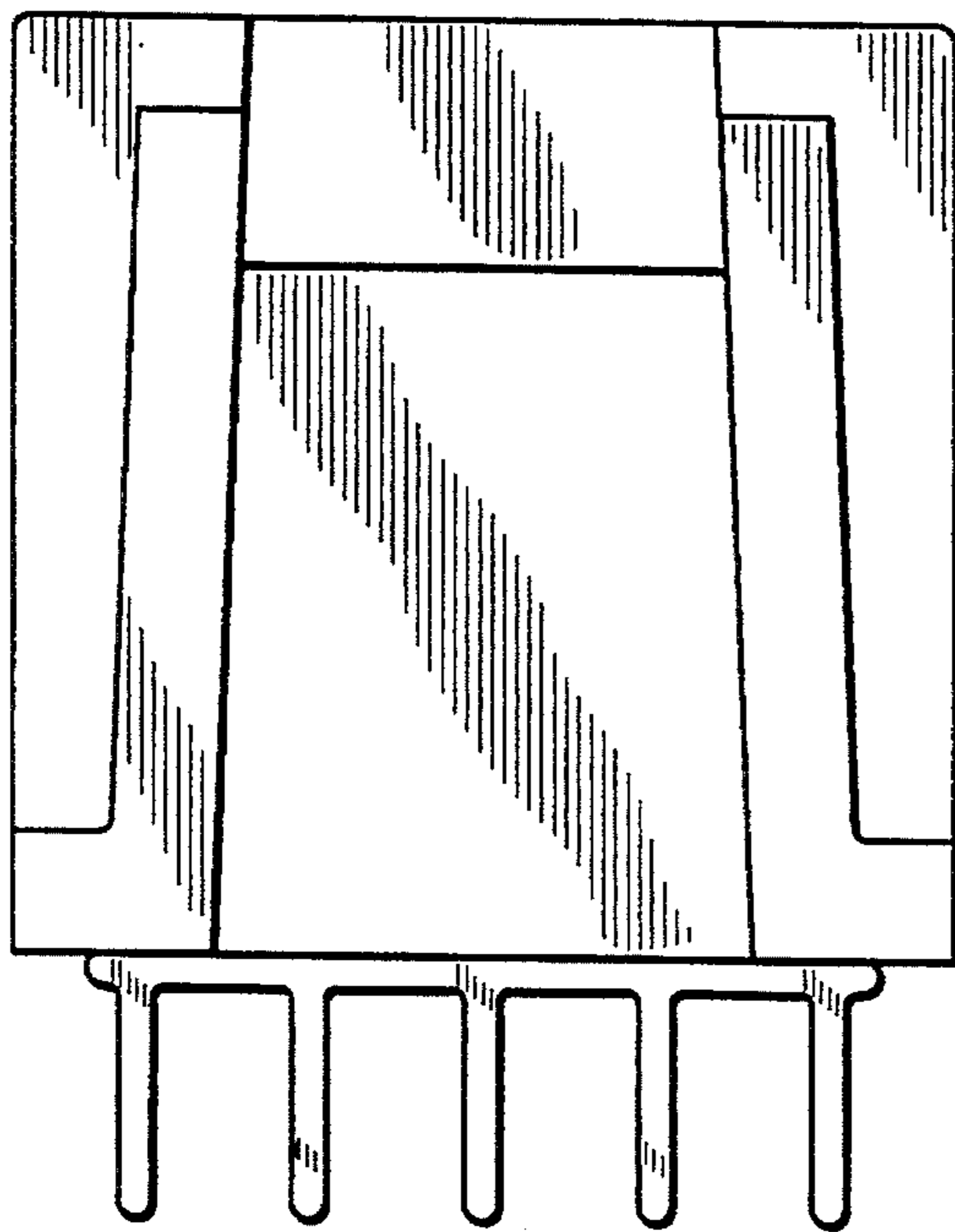


FIG._5

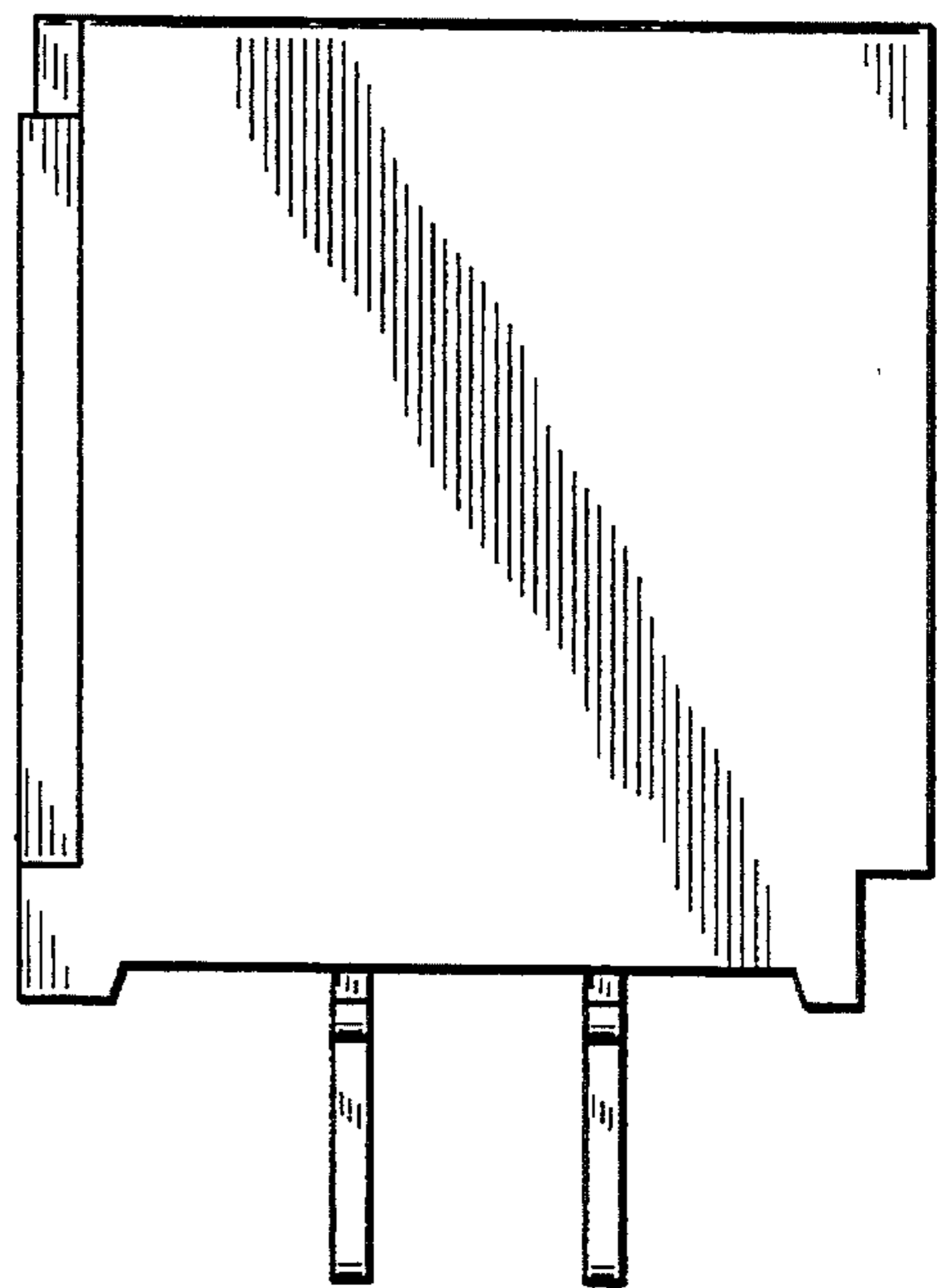


FIG._6

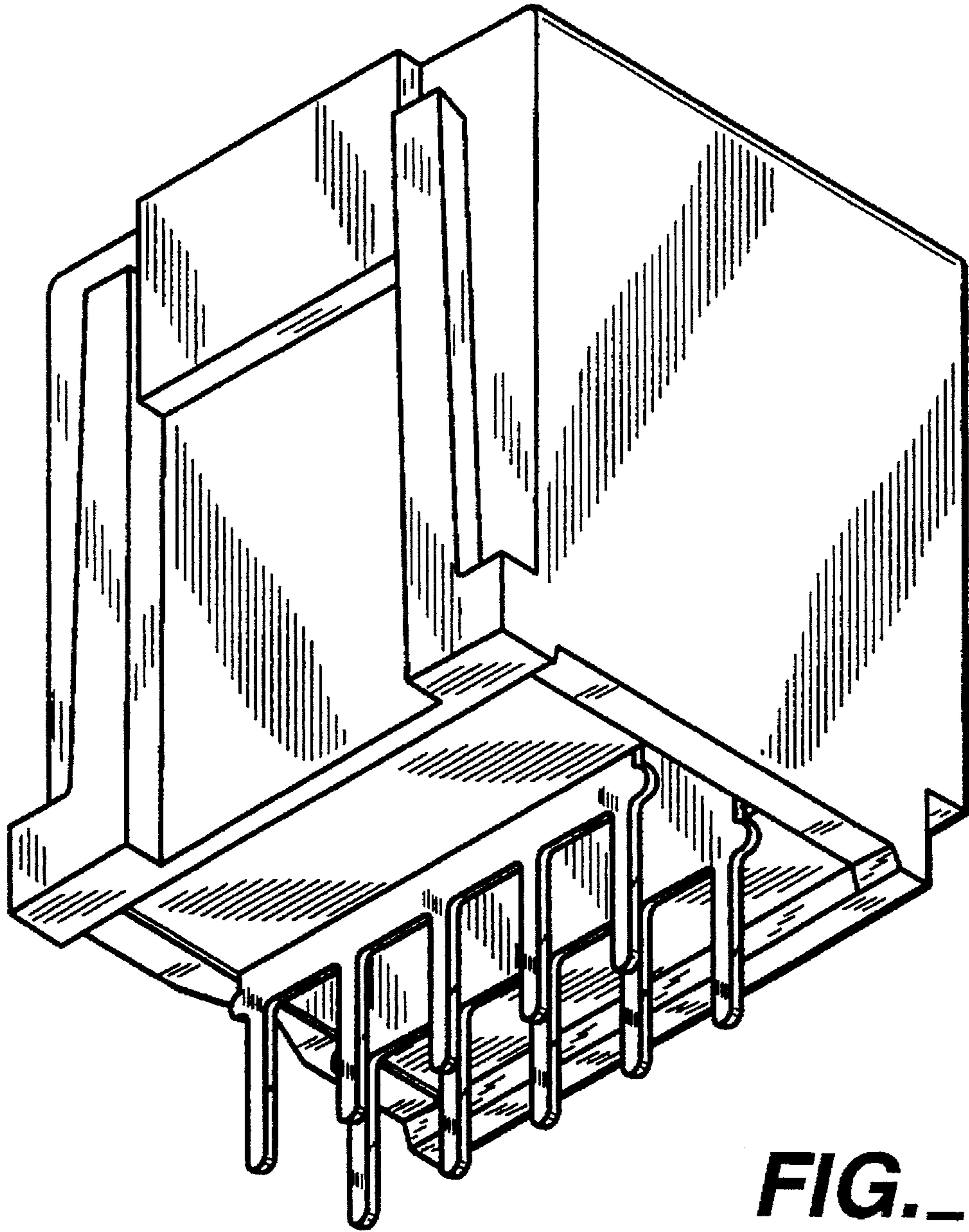


FIG. 8