



US00D366237S

United States Patent [19]
Yang

[11] **Patent Number: Des. 366,237**

[45] **Date of Patent: **Jan. 16, 1996**

[54] **BATTERY CHARGERS**

1051406 6/1989 United Kingdom D13/108

[76] Inventor: **Wen-Kuan Yang**, 3 fl., No. 529,
Chung-Cheng Rd., Hsin-Tien City,
Taipei Hsien, Taiwan

OTHER PUBLICATIONS

Chargers in NEC specification sheet, Cat No. E44116
881220503KM.

[**] Term: **14 Years**

Primary Examiner—Joel Sincavage
Attorney, Agent, or Firm—Bacon & Thomas

[21] Appl. No.: **28,247**

[57] **CLAIM**

[22] Filed: **Sep. 8, 1994**

[52] **U.S. Cl.** **D13/108**

The ornamental design for battery charger, as shown and
described.

[58] **Field of Search** D13/107, 108;
D14/240, 251; 320/2, 3, 4, 15

DESCRIPTION

[56] **References Cited**

FIG. 1 is a perspective view of battery charger showing my
new design thereof;

U.S. PATENT DOCUMENTS

FIG. 2 is a front elevational view and a rear elevational view
being the mirror image thereof;

D. 275,482	9/1984	Coons et al.	D13/108	X
D. 307,016	4/1990	Watanabe	D14/240	
D. 335,861	5/1993	Tattari	D13/108	
D. 345,728	4/1994	Tyneski et al.	D13/108	
D. 353,131	12/1994	Nagele	D13/107	
D. 354,041	3/1995	Scheid et al.	D13/108	

FIG. 3 is a left side elevational view thereof;

FIG. 4 is a right side elevational view thereof;

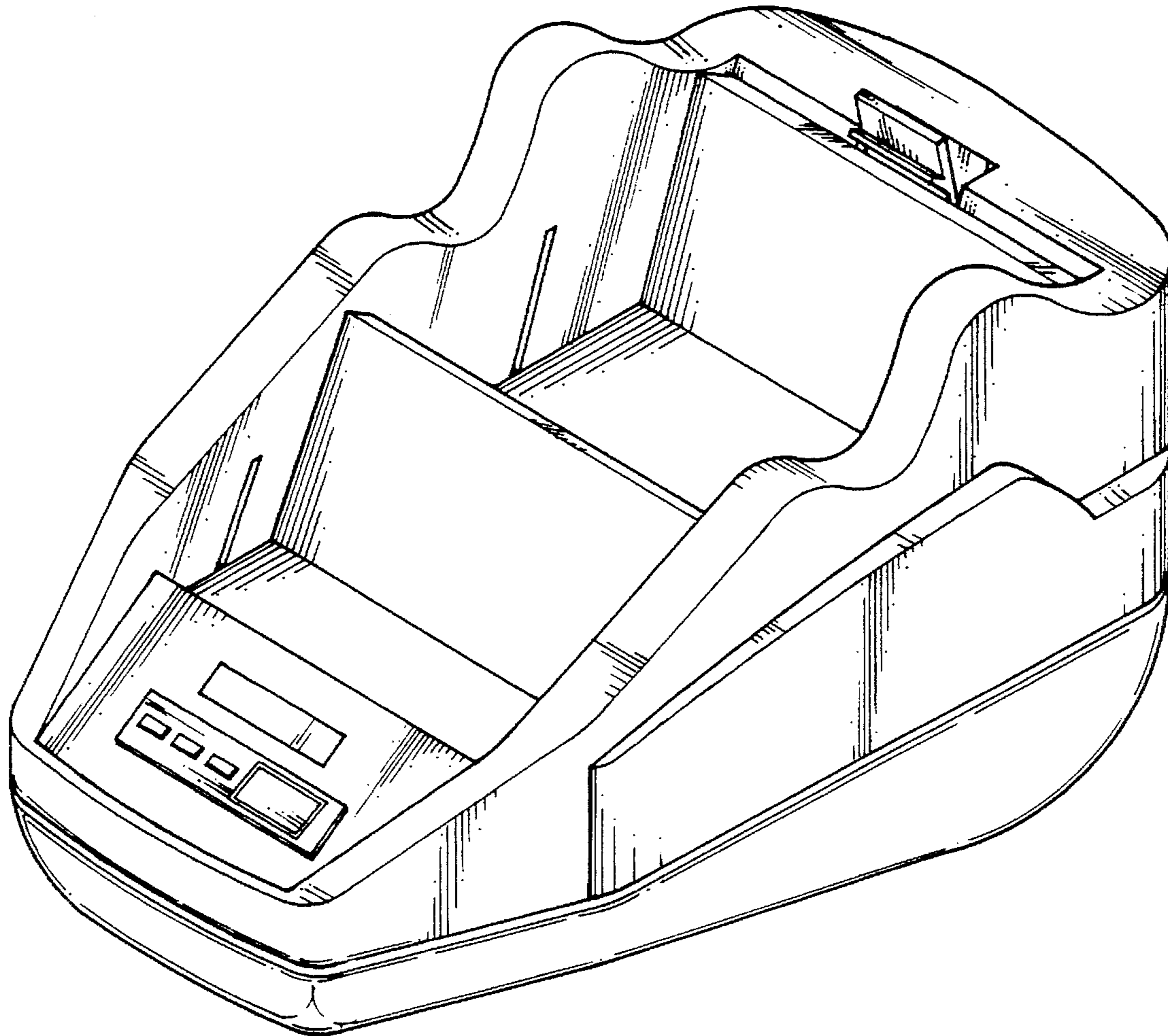
FIG. 5 is a top plan view thereof; and,

FIG. 6 is a bottom plan view thereof.

FOREIGN PATENT DOCUMENTS

8901110 7/1989 Germany D13/108

1 Claim, 3 Drawing Sheets



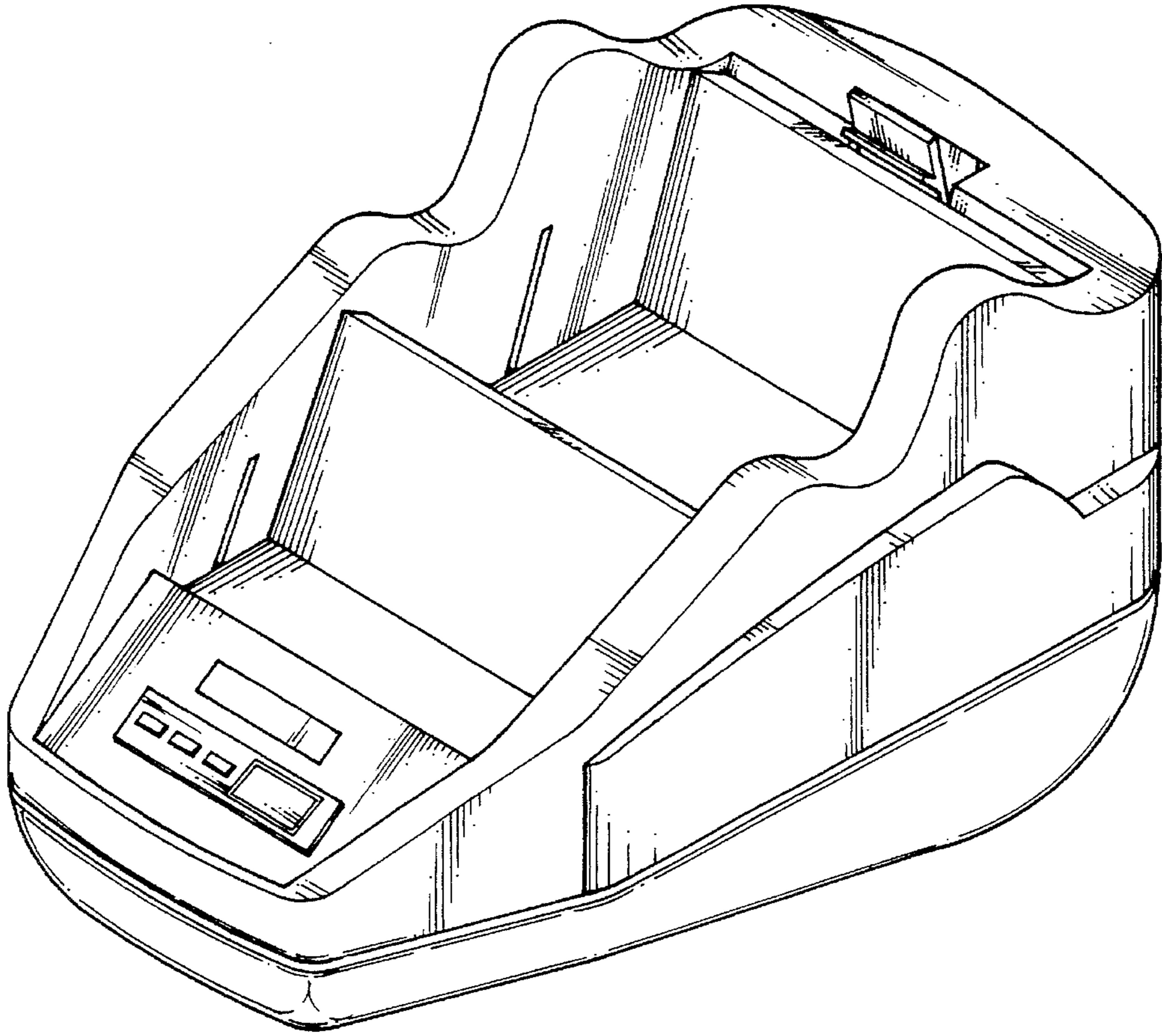


Fig. 1

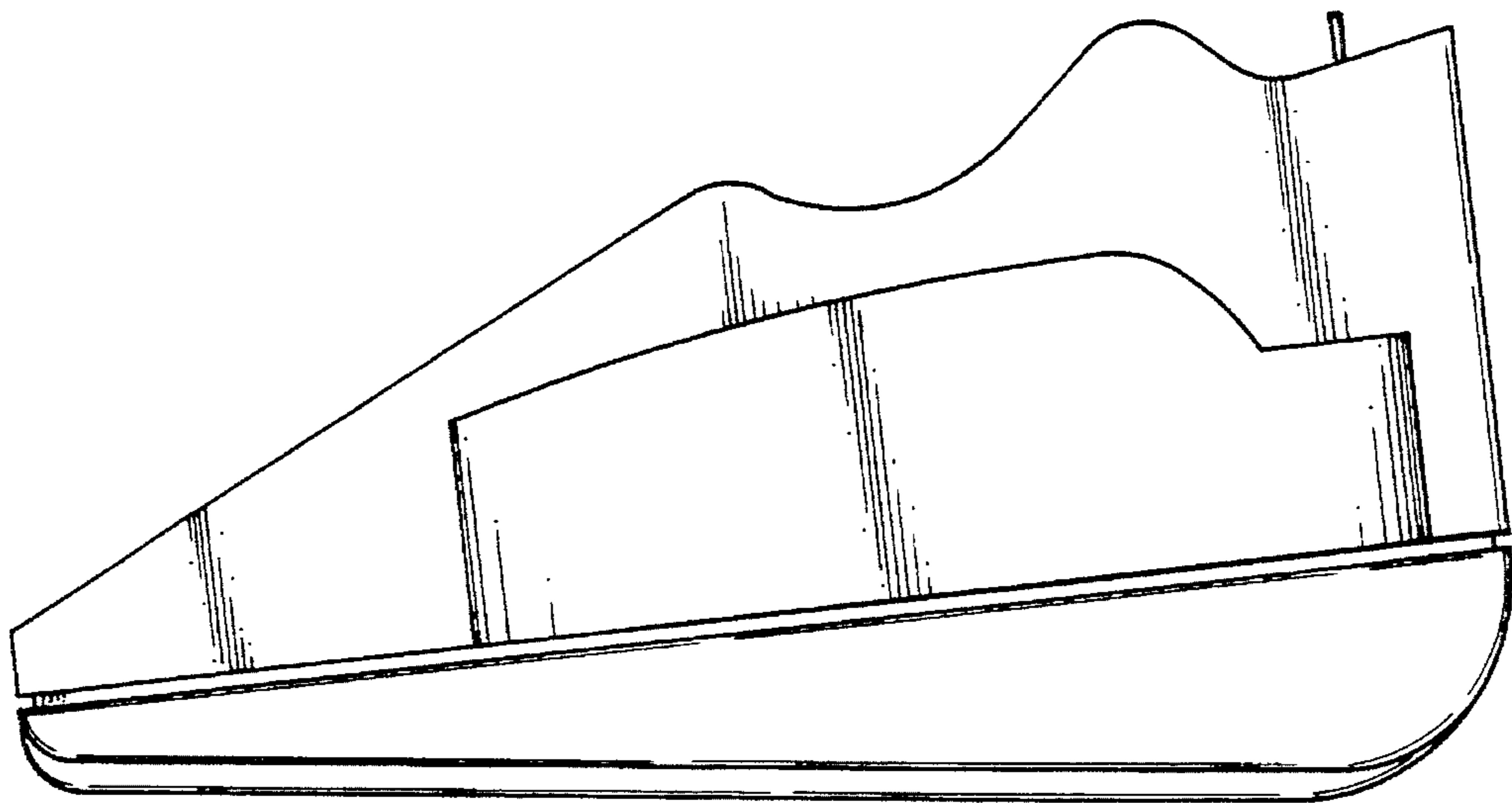


Fig. 2

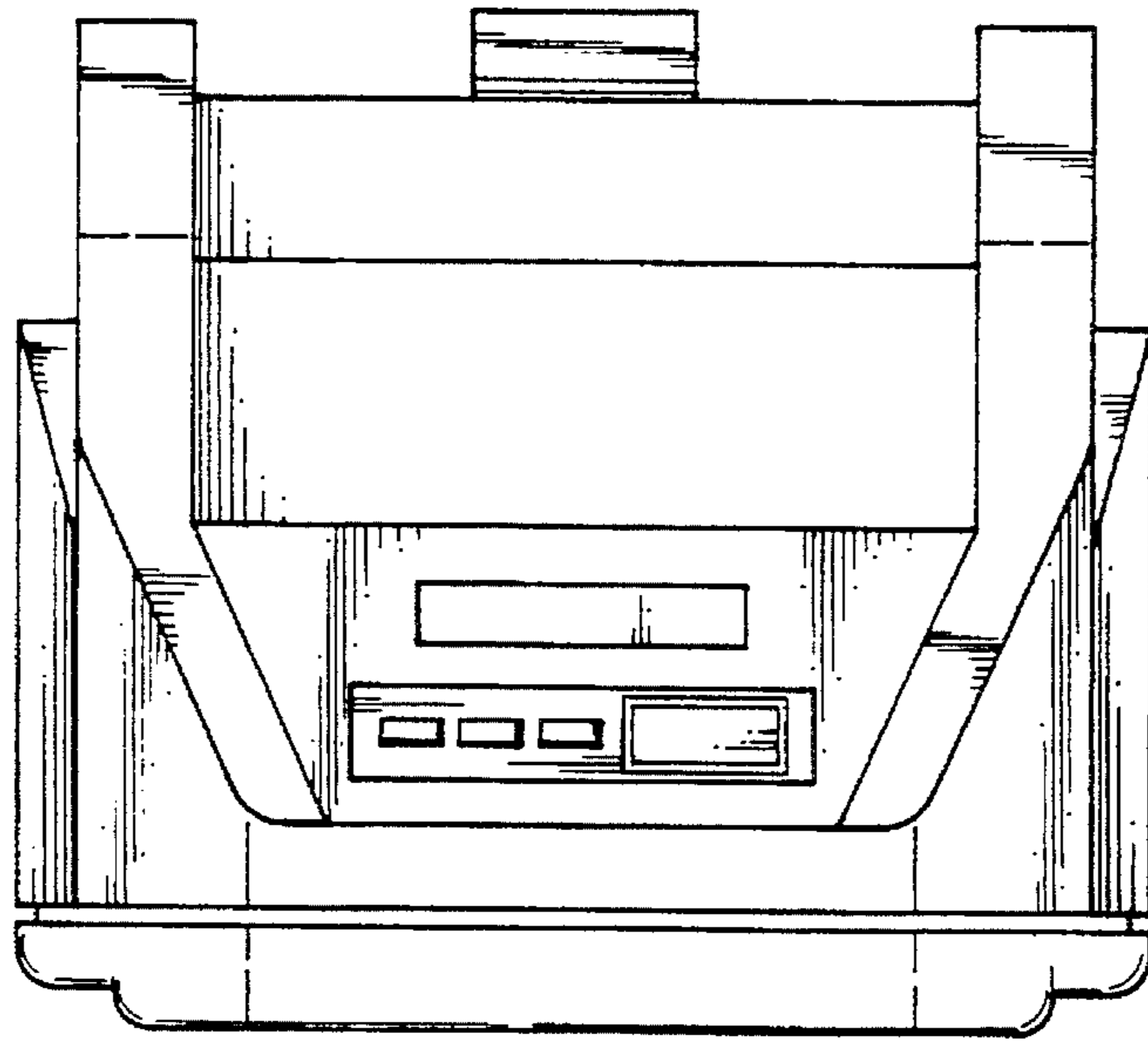


Fig. 3

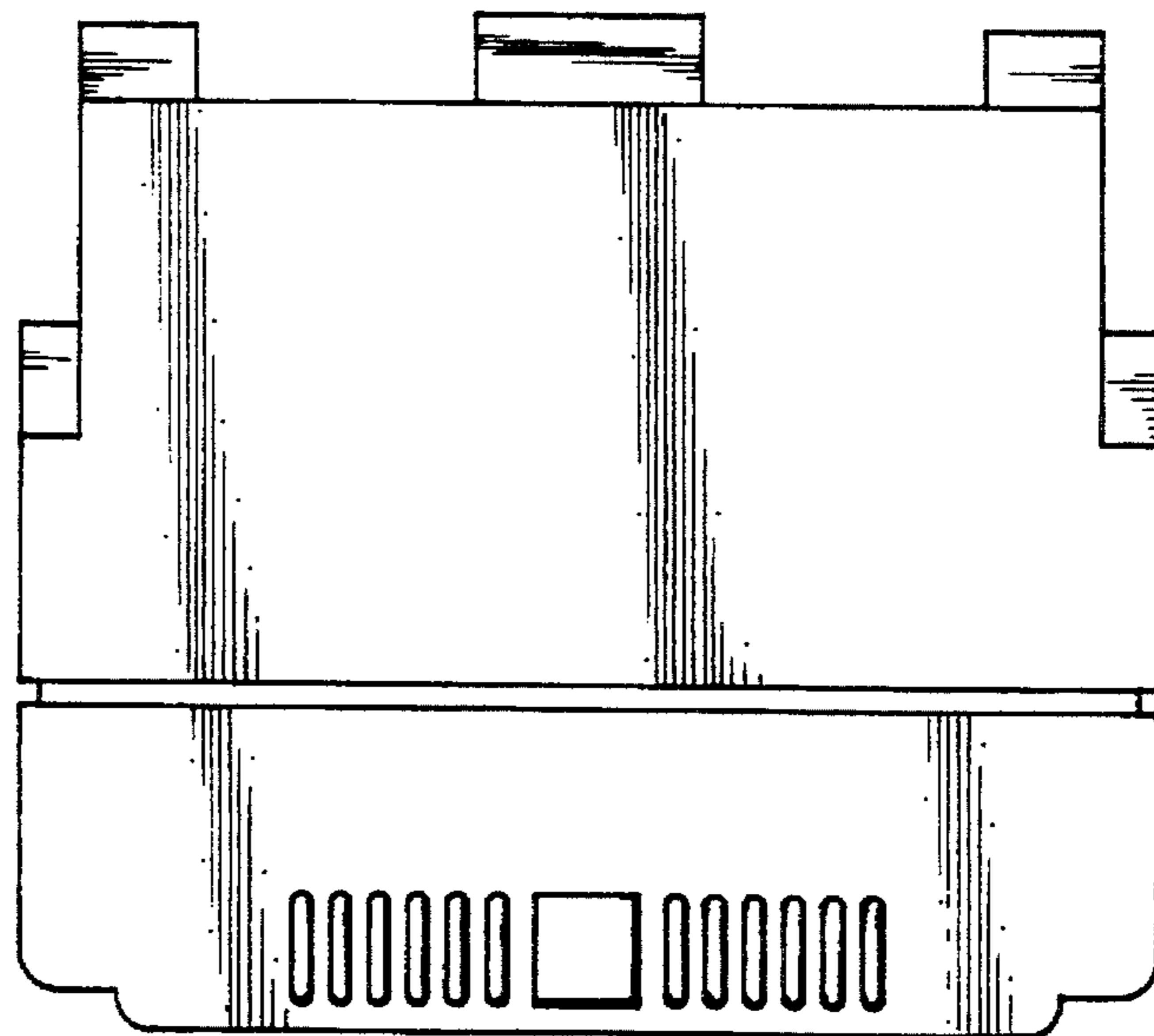


Fig. 4

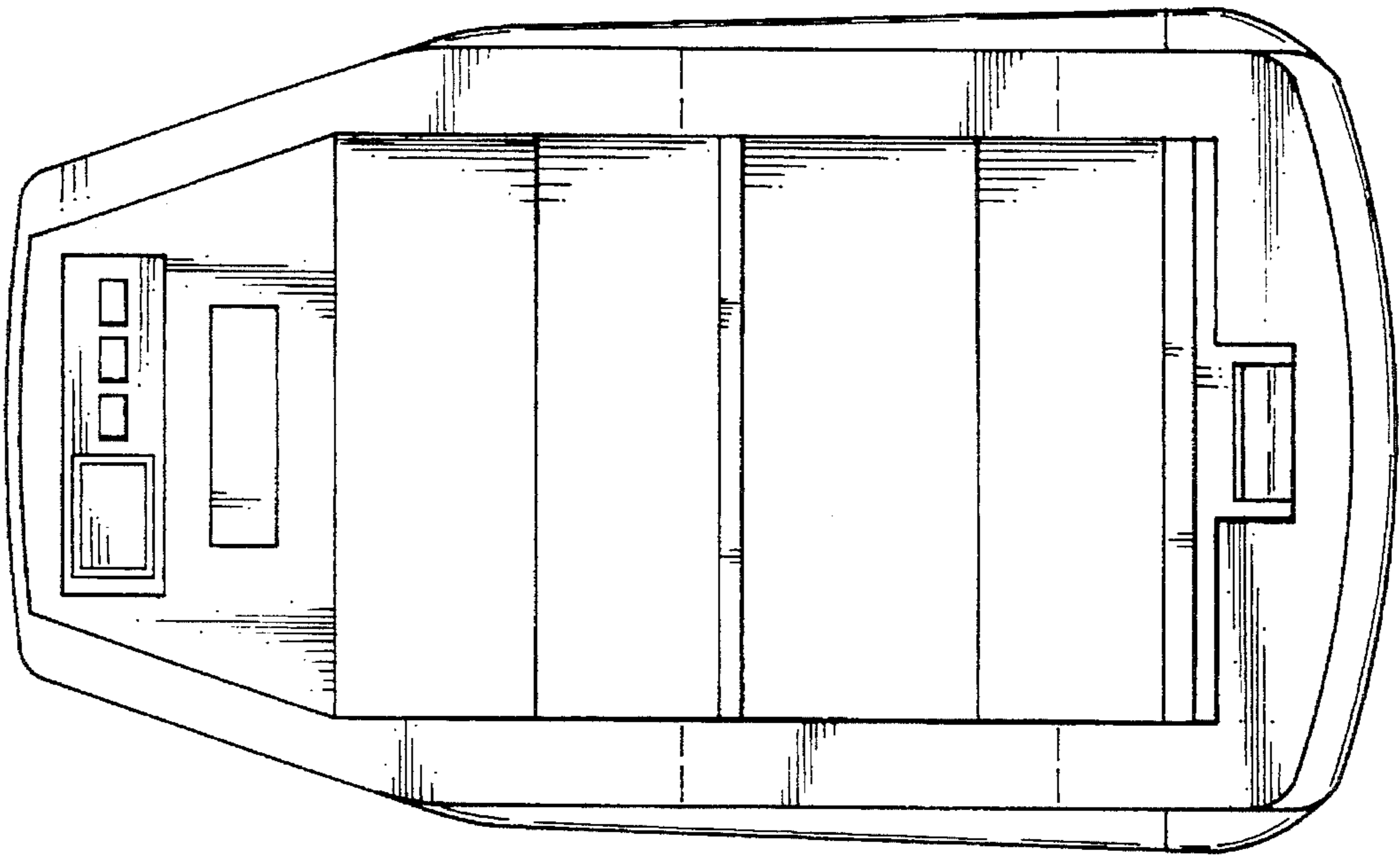


Fig.5

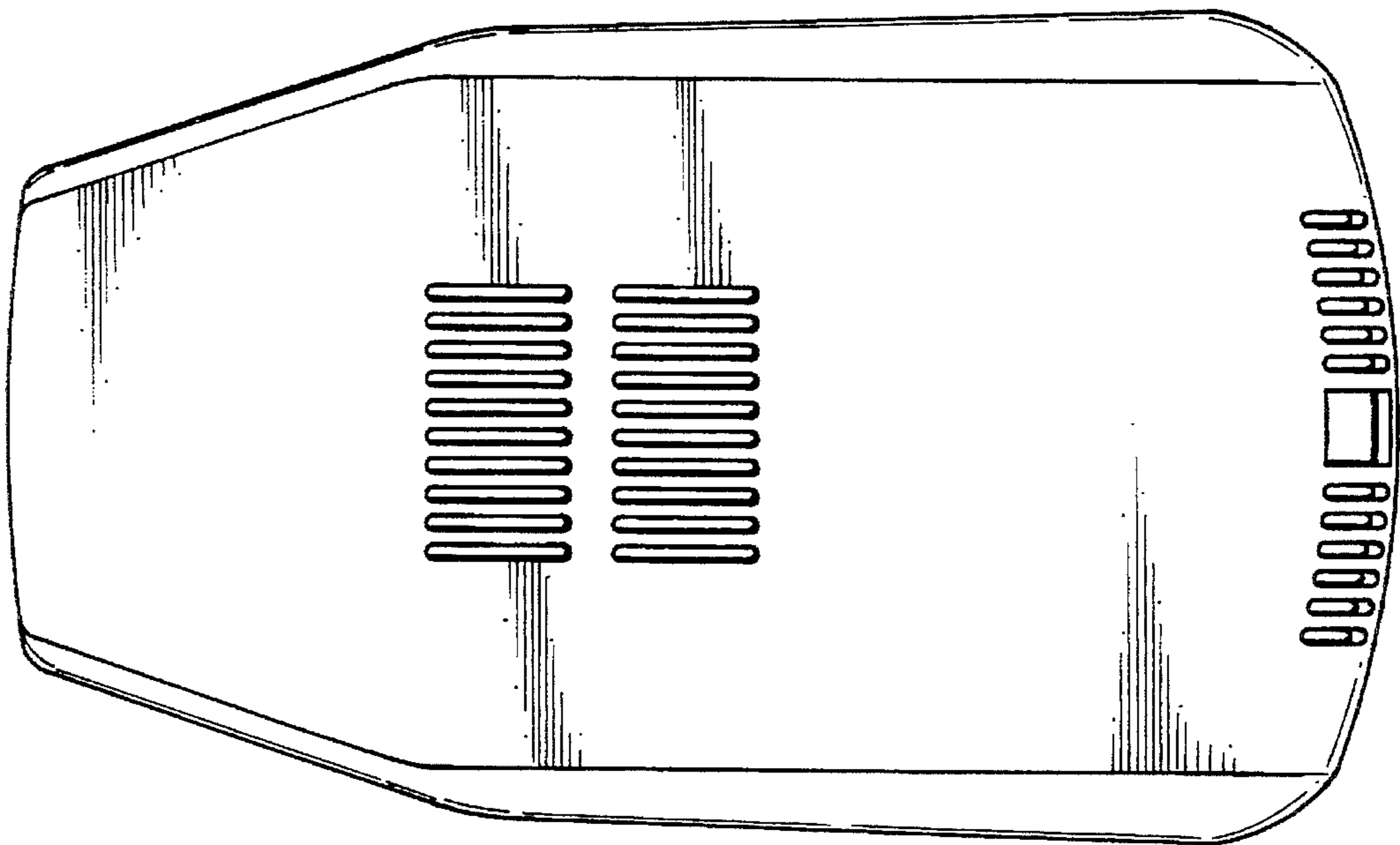


Fig.6