



US00D366235S

United States Patent [19]

[11] Patent Number: **Des. 366,235**

Schmidt et al.

[45] Date of Patent: ****Jan. 16, 1996**

[54] **MIRROR MOUNTING BRACKET**

[76] Inventors: **William P. Schmidt**, 21000 Woodruff, Rockwood, Mich. 48173; **Franklin D. Hutchinson**, 28000 Bell Rd., New Boston, Mich. 48164

[**] Term: **14 Years**

[21] Appl. No.: **26,414**

[22] Filed: **Jul. 27, 1994**

Related U.S. Application Data

[63] Continuation-in-part of Ser. No. 92,516, Jul. 16, 1993, which is a continuation-in-part of Ser. No. 843,508, Feb. 28, 1992, Pat. No. 5,301,916, which is a continuation-in-part of Ser. No. 419,213, Oct. 10, 1989, Pat. No. 5,106,049.

[52] **U.S. Cl.** **D12/187**

[58] **Field of Search** D12/187, 188; D8/349, 354, 359, 373, 380, 381, 363, 371, 366; 248/215, 475.1, 549, 589, 674, 454, 447.2, 466, 534, 535, 476, 479, 481, 484-487, 474, 205.1, 231.4, 231.9; 359/850, 851, 841, 838, 844, 854, 855, 865, 866, 868, 871-873, 875, 879-881, 862-864, 842

[56] **References Cited**

U.S. PATENT DOCUMENTS

- D. 227,858 7/1973 Goldman et al. D8/373
- D. 243,581 3/1977 Goss, Jr. et al. .
- D. 248,910 8/1978 DeFilippo .
- D. 249,258 9/1978 Hutchinson, Jr. et al. D12/187
- D. 259,243 5/1981 Argante D8/371 X
- D. 270,574 9/1983 Black D8/354 X
- D. 275,178 8/1984 Yeater .
- D. 288,282 2/1987 Sheets .
- D. 327,001 6/1992 Oosterhuis .
- D. 329,372 9/1992 Wilms D8/380

- 1,905,623 4/1933 Deitz .
- 3,433,448 3/1969 Weber .
- 3,667,718 6/1972 Goslin .
- 3,729,163 4/1973 Cummins .
- 3,778,016 12/1973 Gernhardt .
- 3,833,198 9/1974 Holzman .
- 3,857,539 12/1974 Kavanaugh .
- 3,906,592 9/1975 Sakasegawa et al. .
- 3,976,275 8/1976 Clark .
- 4,030,692 6/1977 Szilagyi .
- 4,212,303 7/1980 Nolan .
- 4,368,868 1/1983 Urban .
- 4,500,063 2/1985 Schmidt et al. .
- 4,609,171 9/1986 Matsui .
- 4,830,326 5/1989 Schmidt et al. .
- 5,005,963 4/1991 Schmidt et al. .
- 5,106,049 4/1992 Schmidt et al. .
- 5,316,257 5/1994 Schmidt et al. 248/487

FOREIGN PATENT DOCUMENTS

2950301 6/1981 European Pat. Off. 248/479

Primary Examiner—Freda Nunn

Attorney, Agent, or Firm—Weintraub, DuRoss & Brady

[57] **CLAIM**

The ornamental design for a mirror mounting bracket, as shown and described.

DESCRIPTION

FIG. 1 is a perspective view of a mirror mounting bracket, showing our new design;

FIG. 2 is a front elevational view thereof;

FIG. 3 is a first side elevational view thereof;

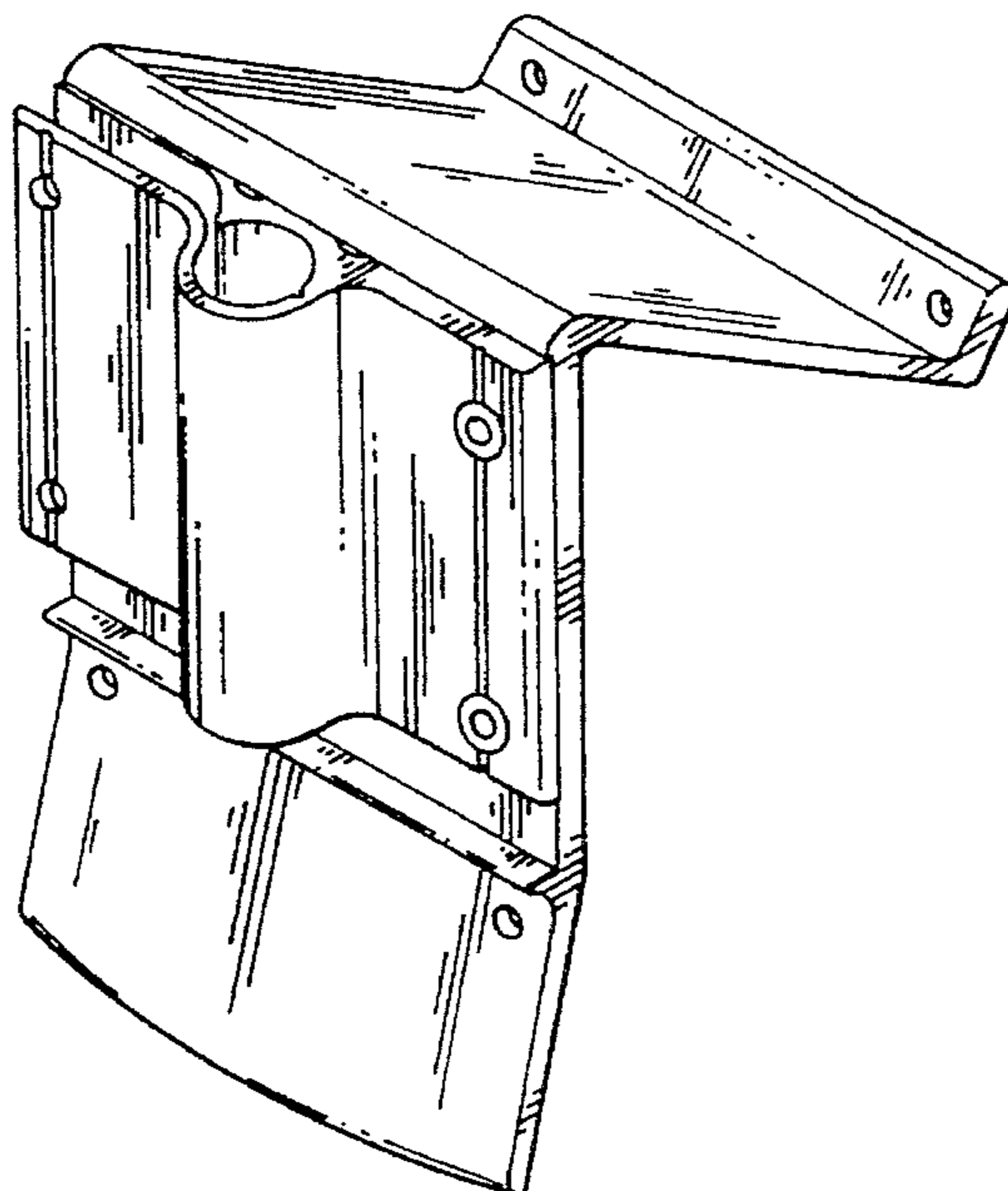
FIG. 4 is a rear elevational view thereof;

FIG. 5 is a second side elevational view thereof, as seen opposite the side shown in FIG. 3;

FIG. 6 is a bottom plan view thereof; and,

FIG. 7 is a top plan view thereof.

1 Claim, 2 Drawing Sheets



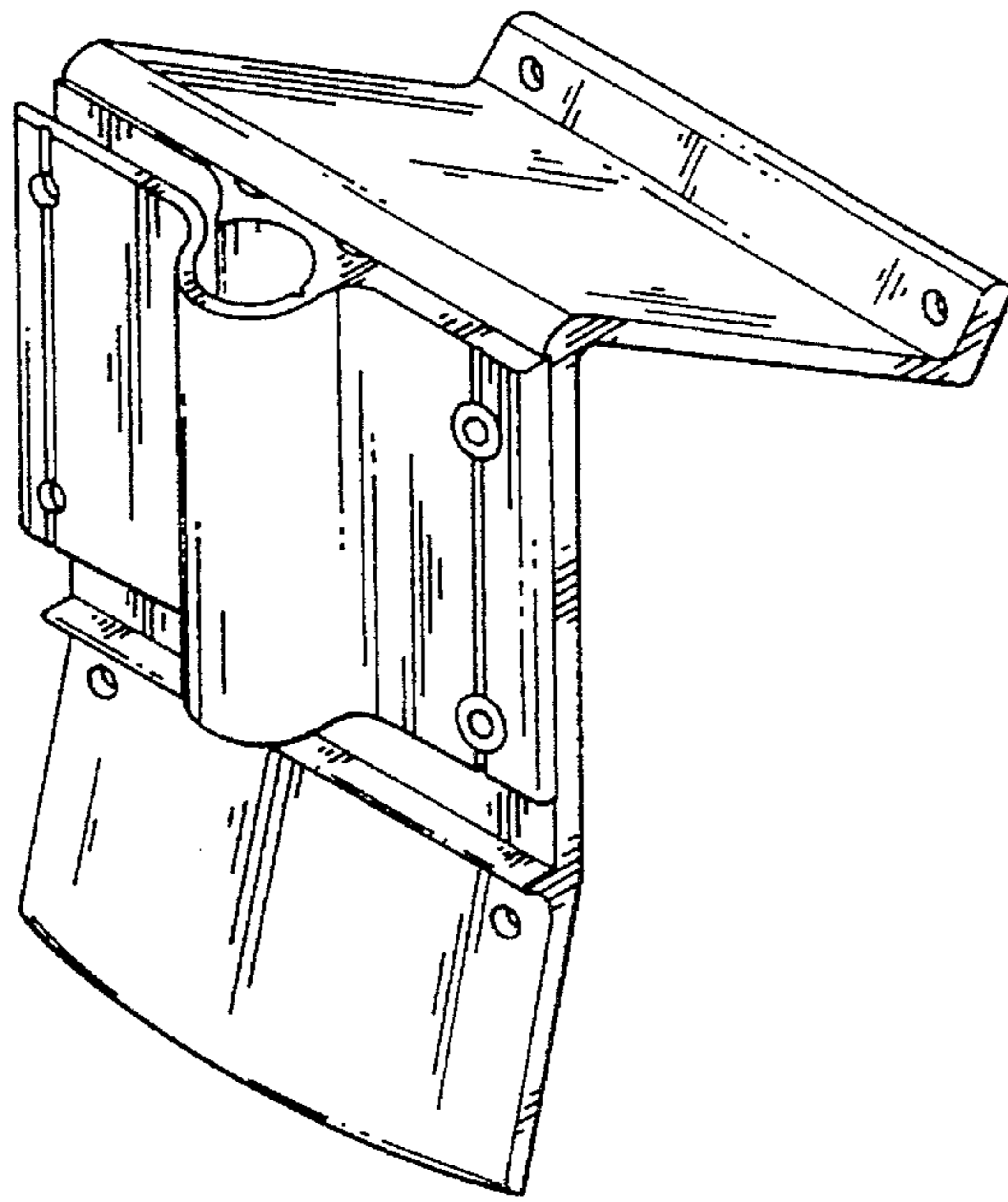


FIG 1

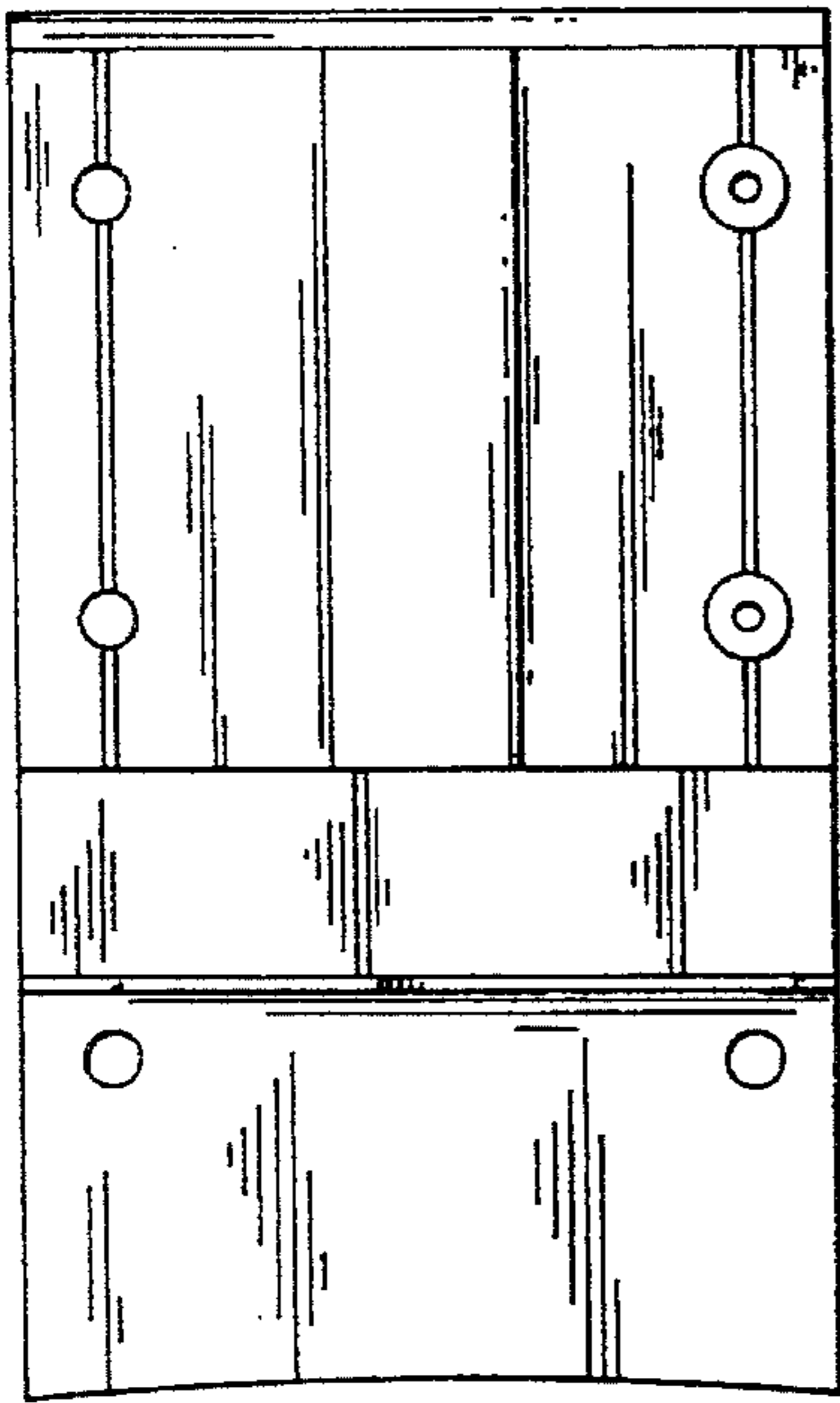


FIG 2

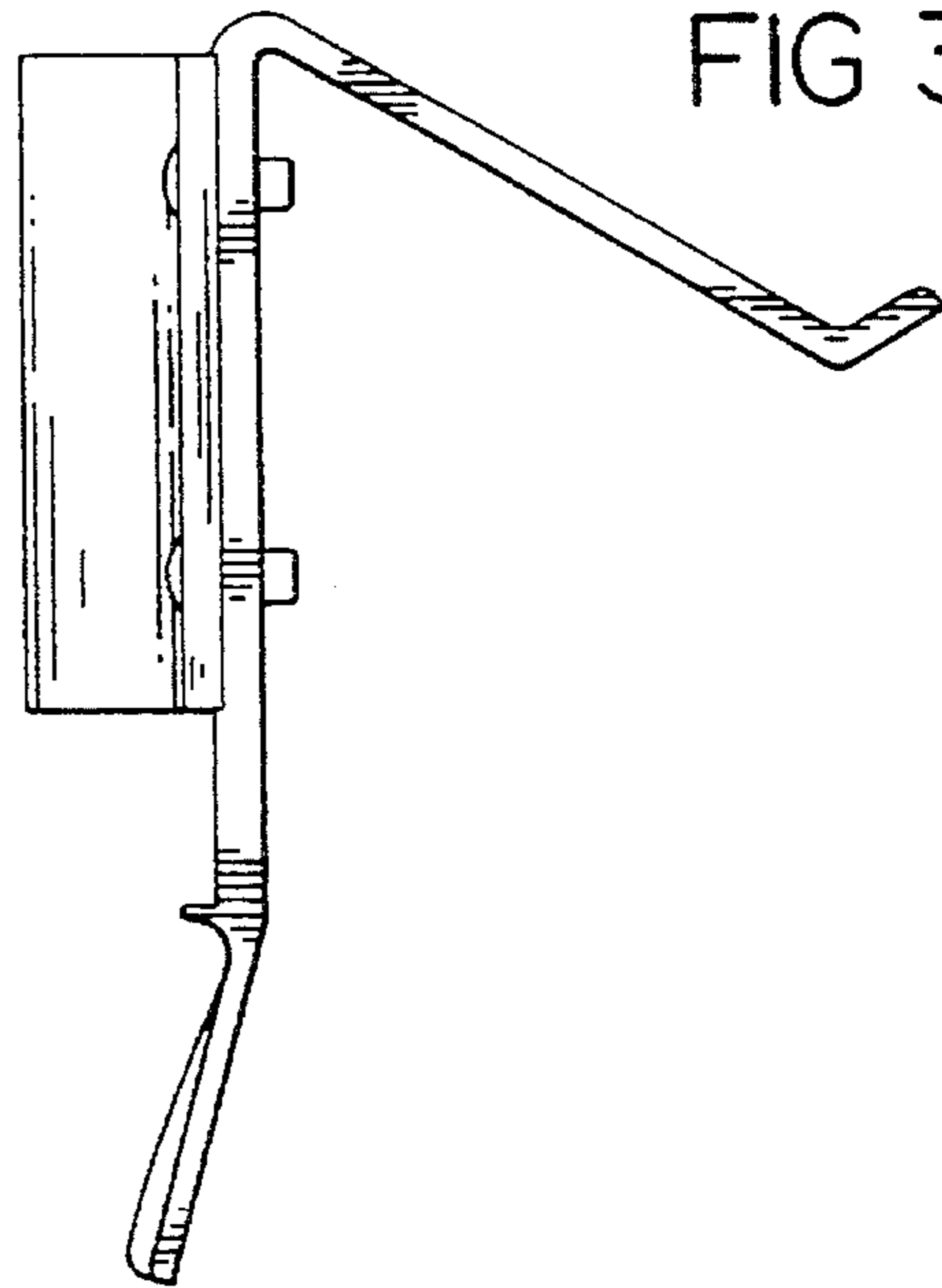


FIG 3

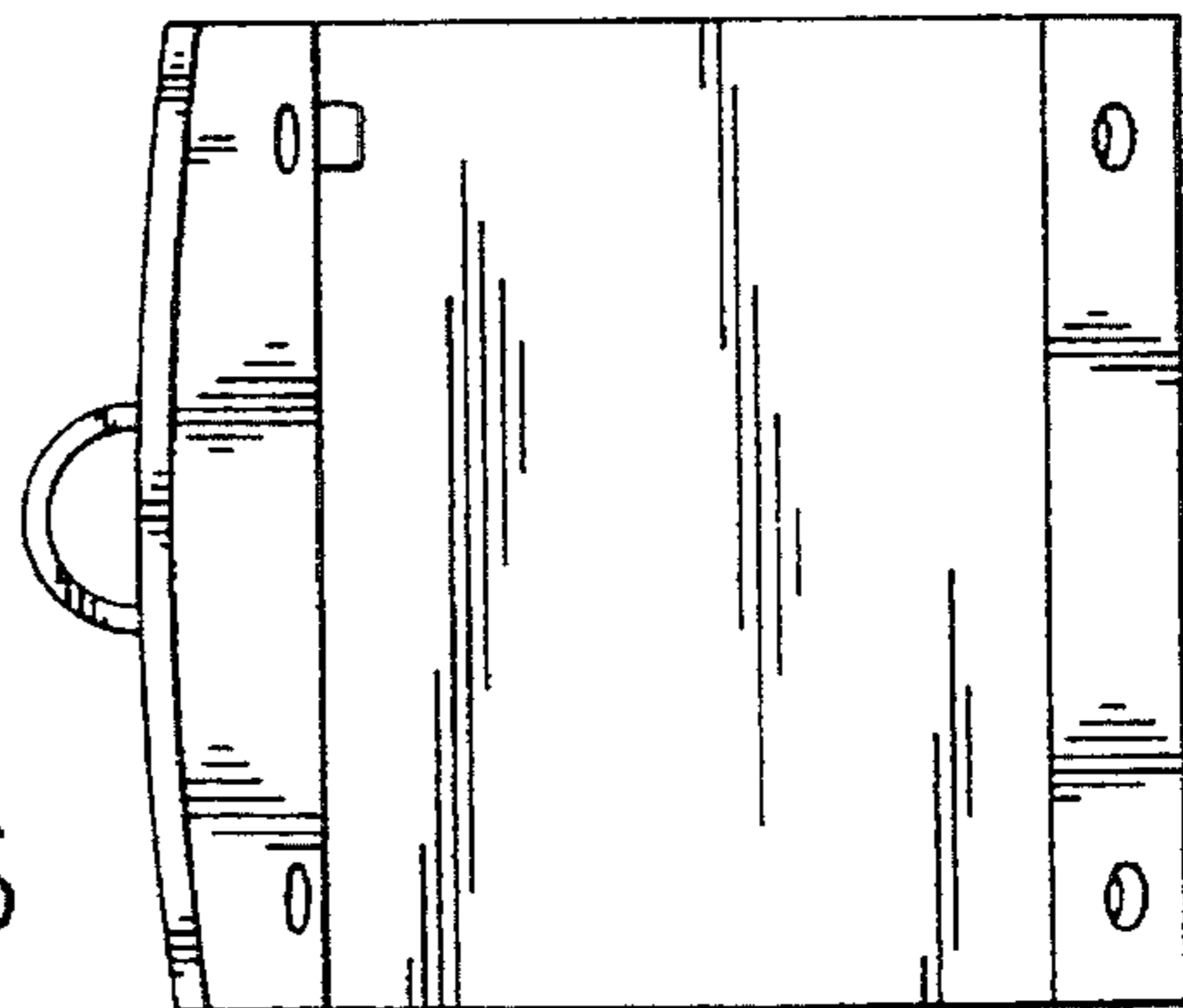


FIG 6

FIG 7

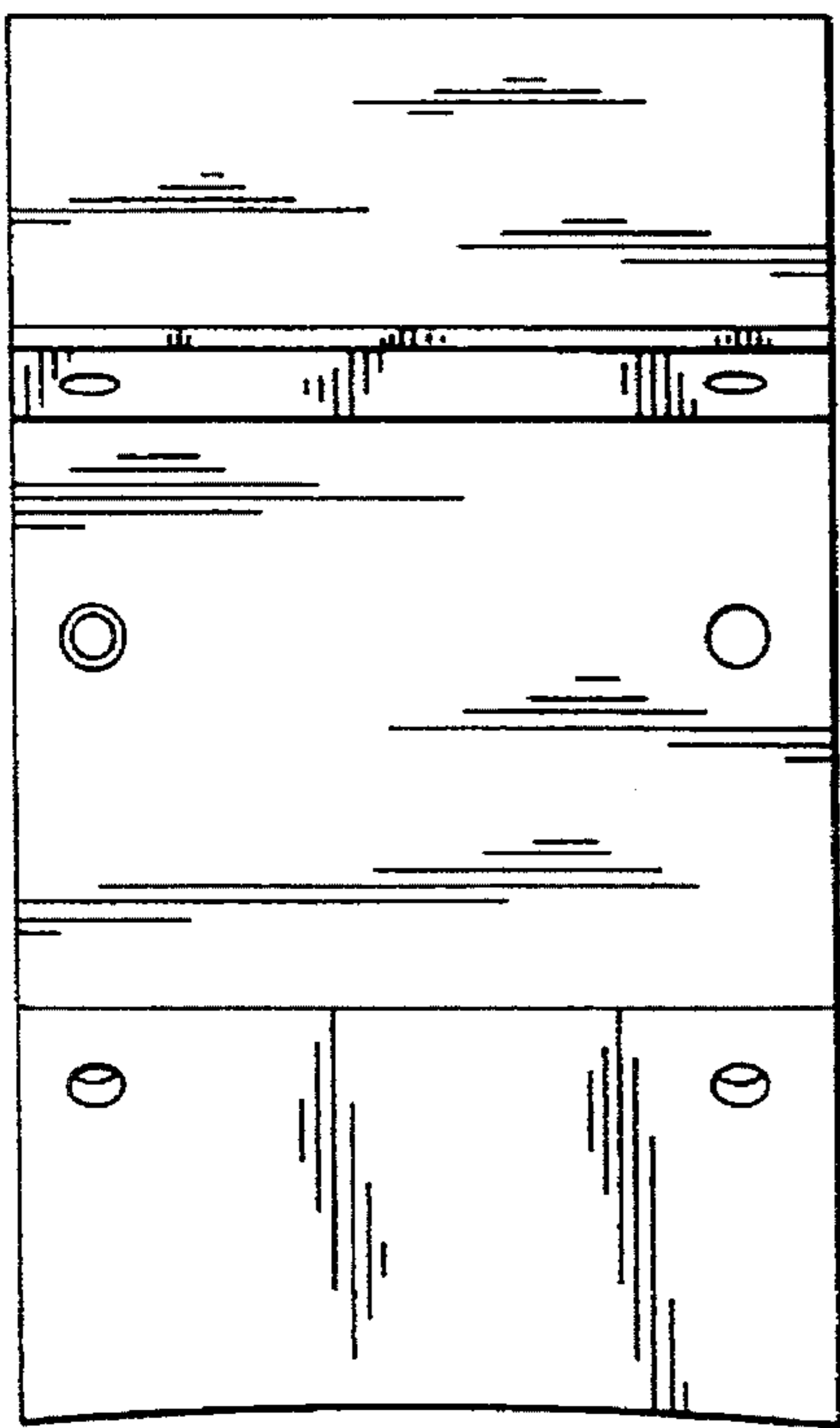
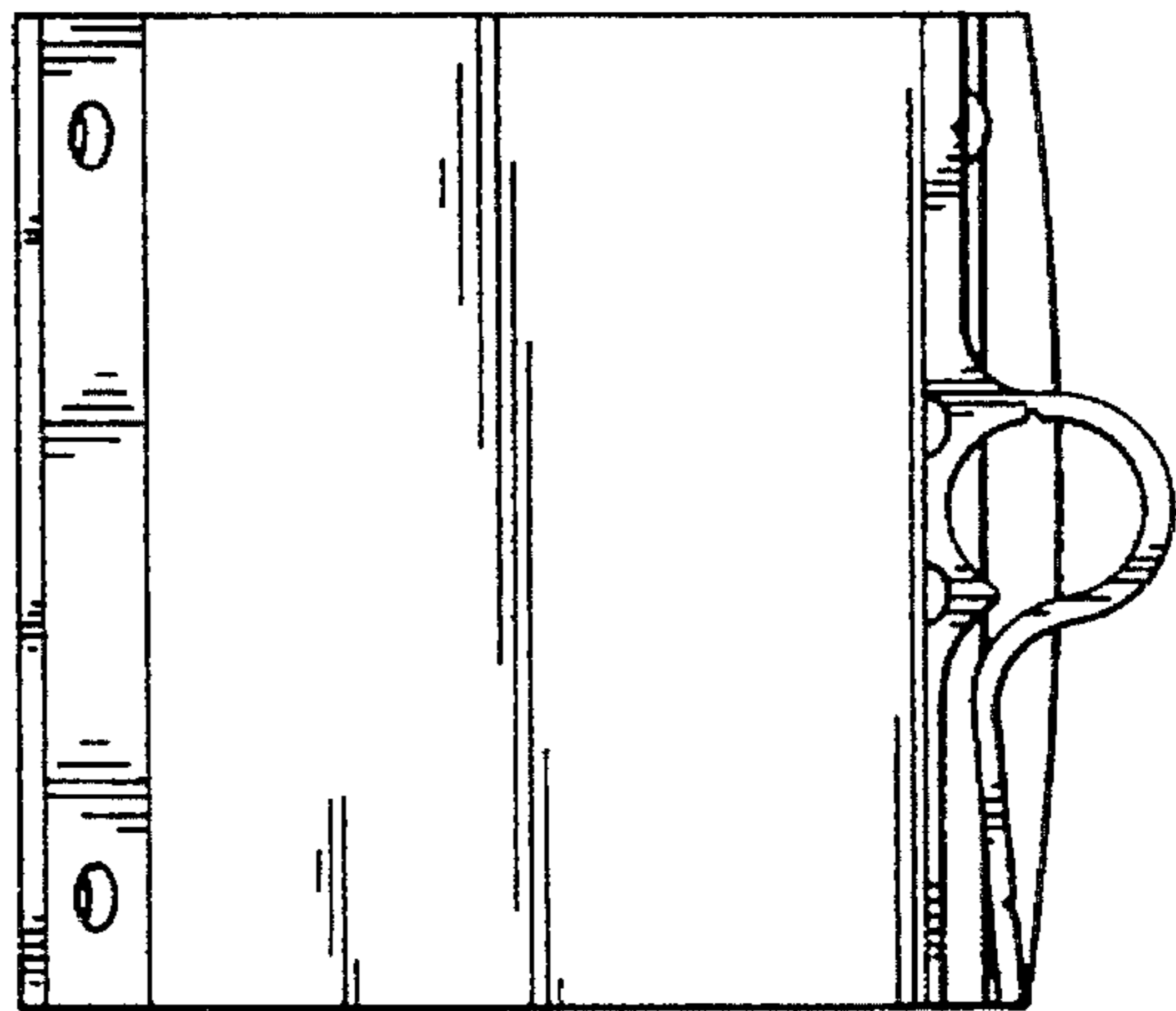


FIG 4

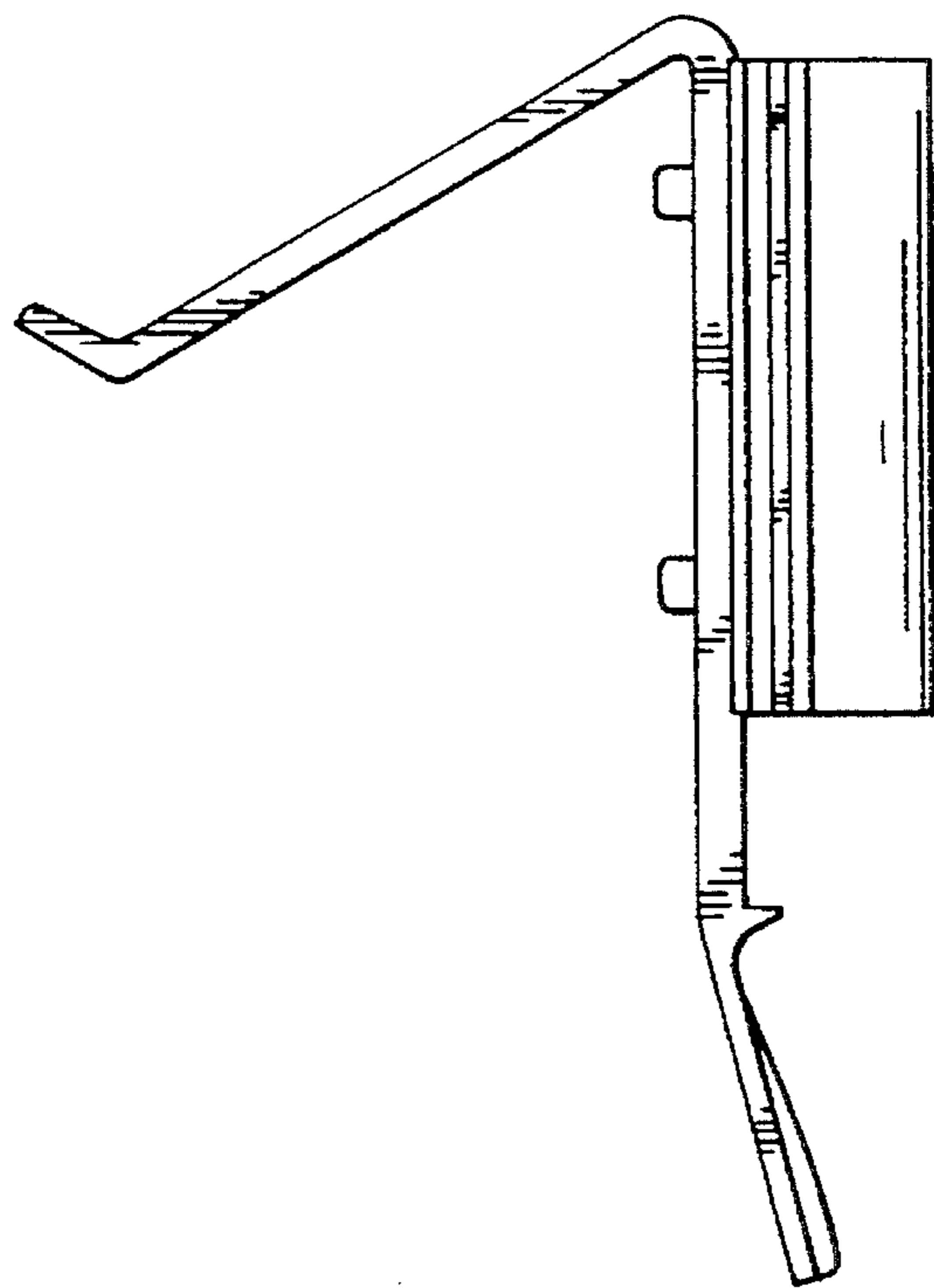


FIG 5