



US00D366226S

United States Patent [19]

[11] **Patent Number:** **Des. 366,226**

Foutes

[45] **Date of Patent:** ****Jan. 16, 1996**

[54] **PLANTER WITH BUILT-IN OVERHEAD GROW LIGHT**

Primary Examiner—Alan P. Douglas
Assistant Examiner—Cathron B. Matta
Attorney, Agent, or Firm—Burns, Doane, Swecker & Mathis

[76] **Inventor:** **Craig E. Foutes**, 2400 Little Fox La.,
Vienna, Va. 22181

[57] **CLAIM**

[**] **Term:** **14 Years**

The ornamental design for a planter with built-in overhead grow light, as shown and described.

[21] **Appl. No.:** **35,381**

DESCRIPTION

[22] **Filed:** **Feb. 27, 1995**

[52] **U.S. Cl.** **D11/144**

FIG. 1 is a perspective view of a planter with built-in overhead grow light, showing my new design;

[58] **Field of Search** **D11/143, 144,**

D11/155, 156; 47/66 C, 60 NL

FIG. 2 is the front view thereof;

FIG. 3 is the rear view thereof;

FIG. 4 is the right-side view thereof;

FIG. 5 is the left-side view thereof;

FIG. 6 is the top view thereof; and,

FIG. 7 is the bottom view thereof.

[56] **References Cited**

U.S. PATENT DOCUMENTS

D. 243,113	1/1977	Hirsch	47/67 H X
D. 247,357	2/1978	Gray	D11/156
D. 265,387	7/1982	Natgrass	D11/156
1,405,568	2/1922	Conklin	D11/152 X
3,066,445	12/1962	D'Amico	47/66 C X

1 Claim, 4 Drawing Sheets

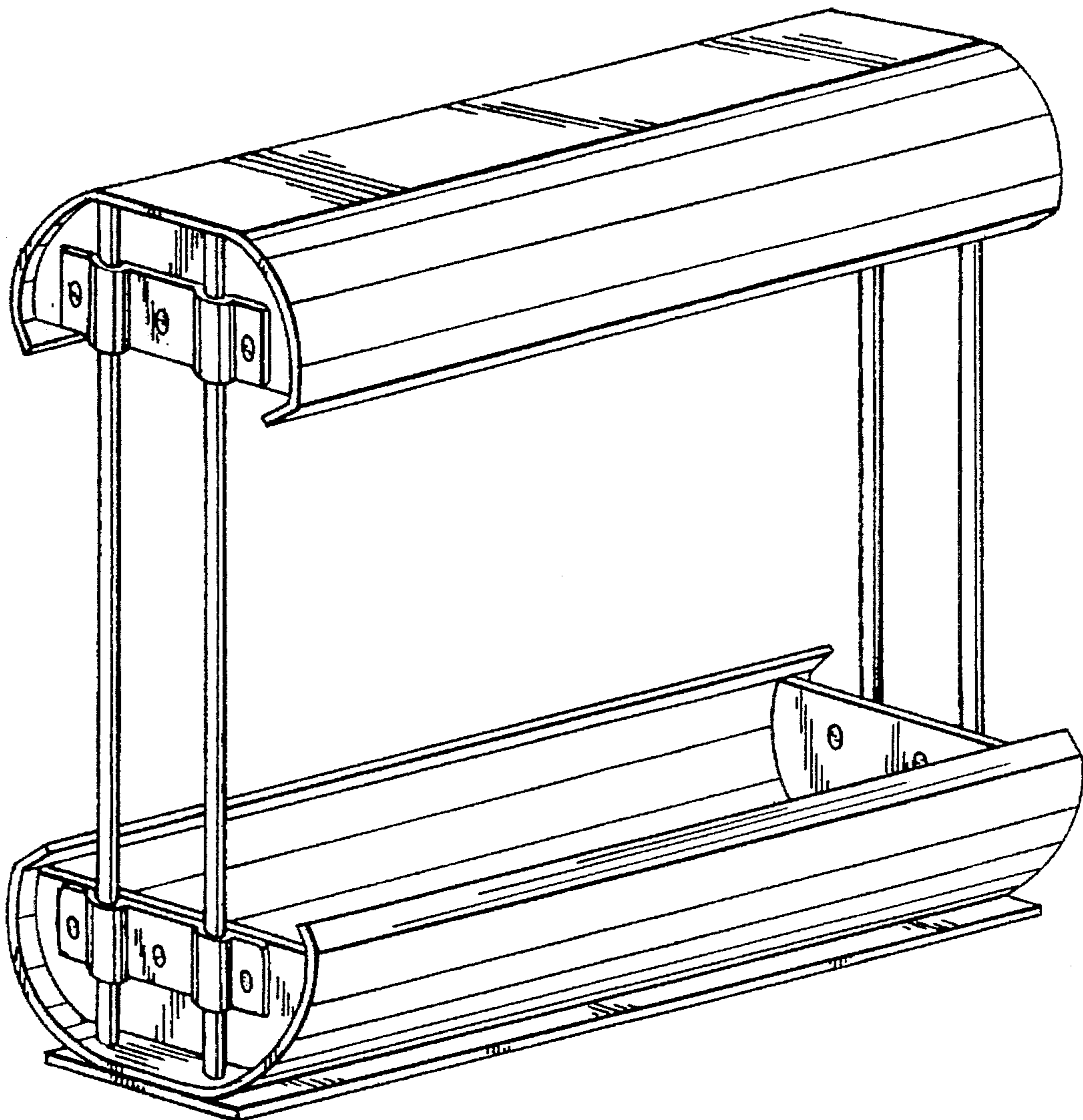


FIG. 1

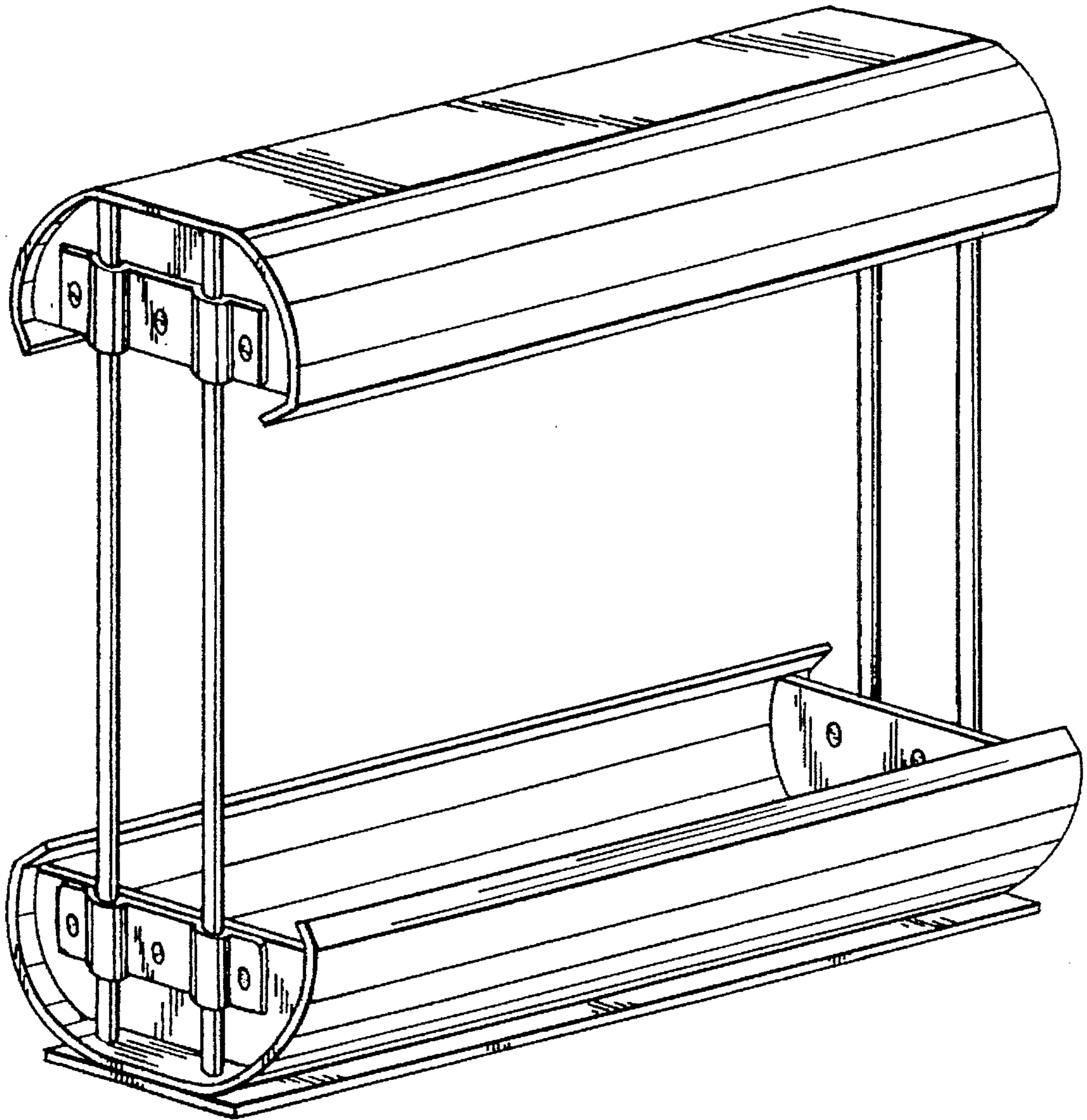


FIG. 2

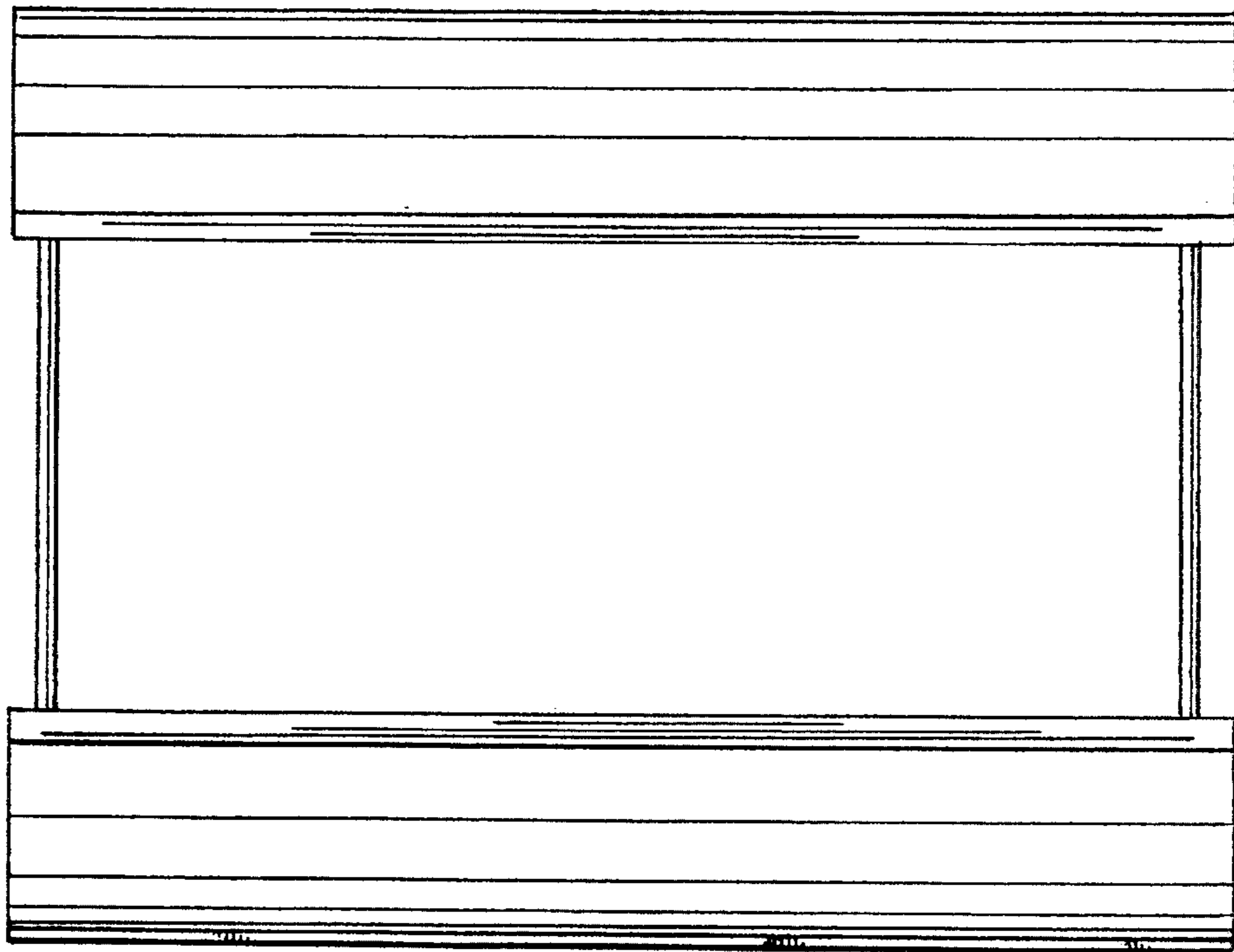


FIG. 3

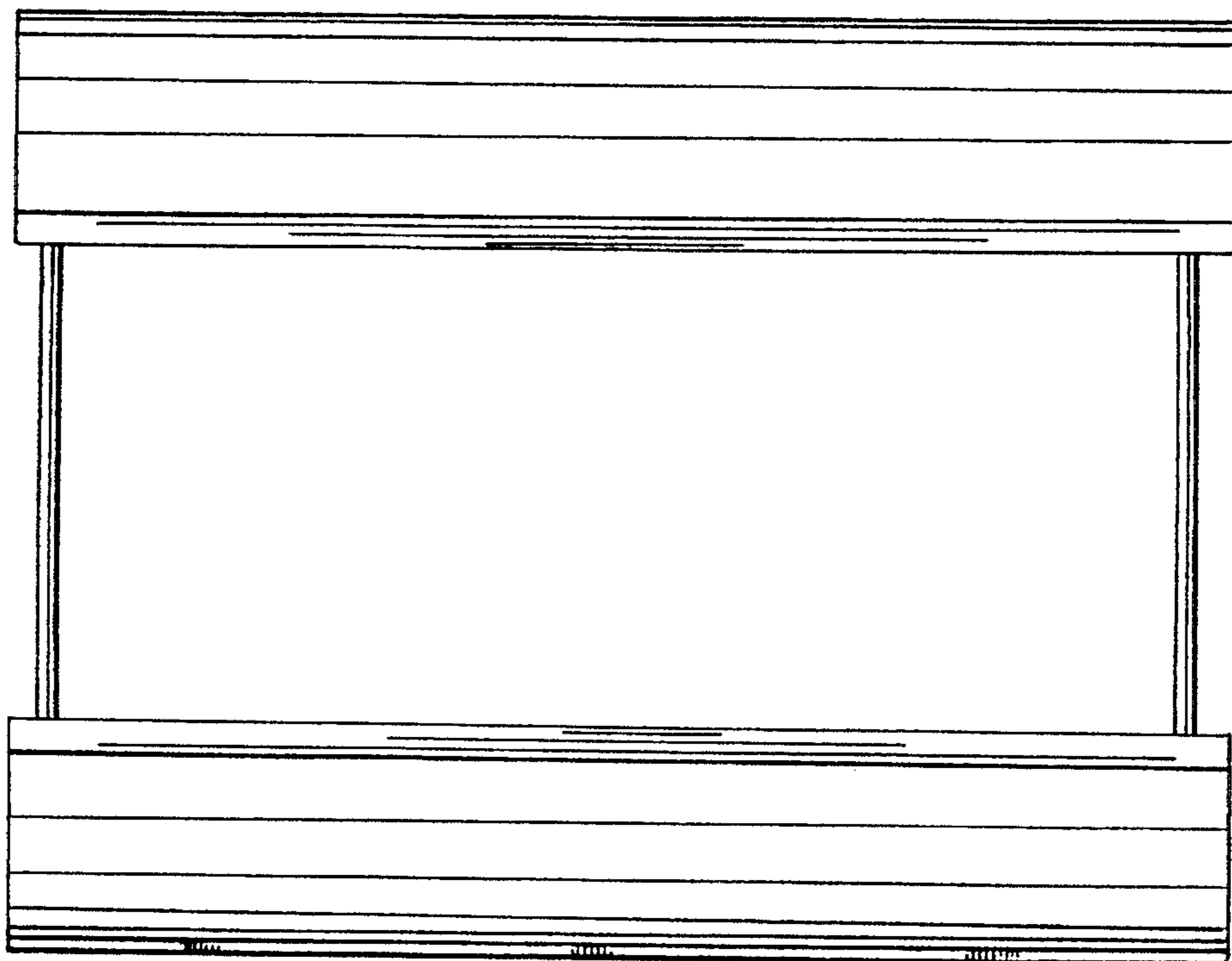


FIG. 4

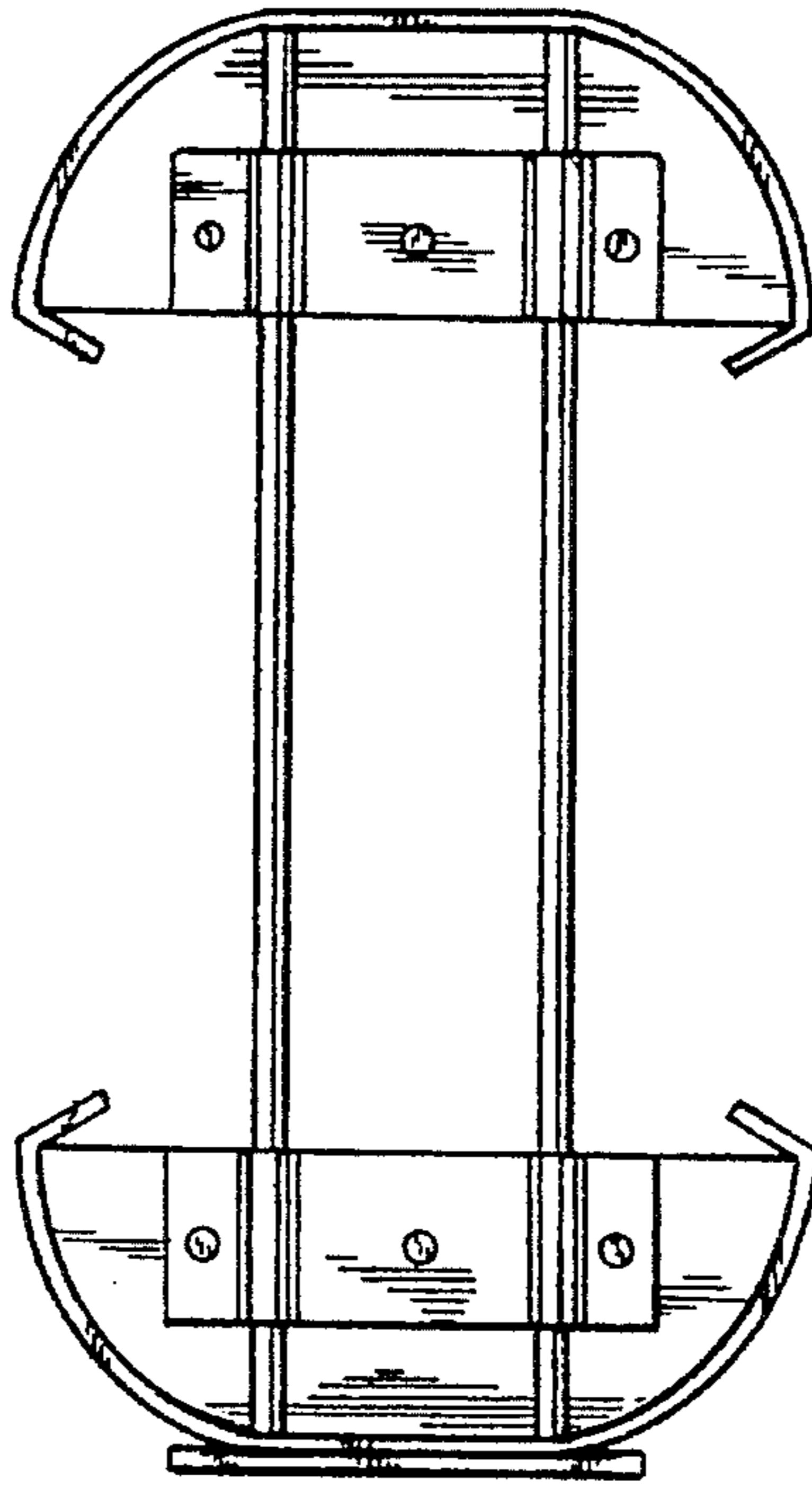


FIG. 5

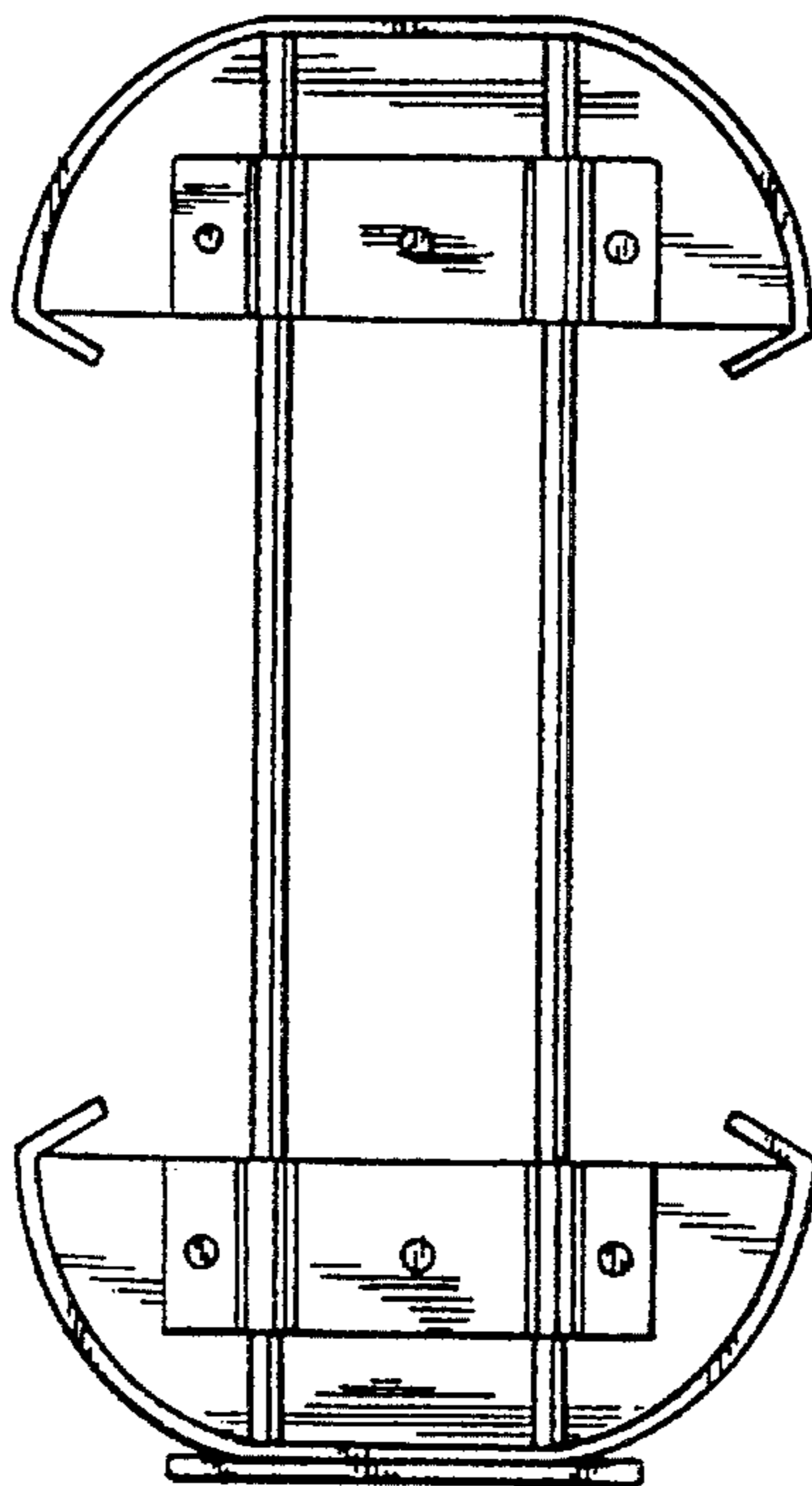


FIG. 6

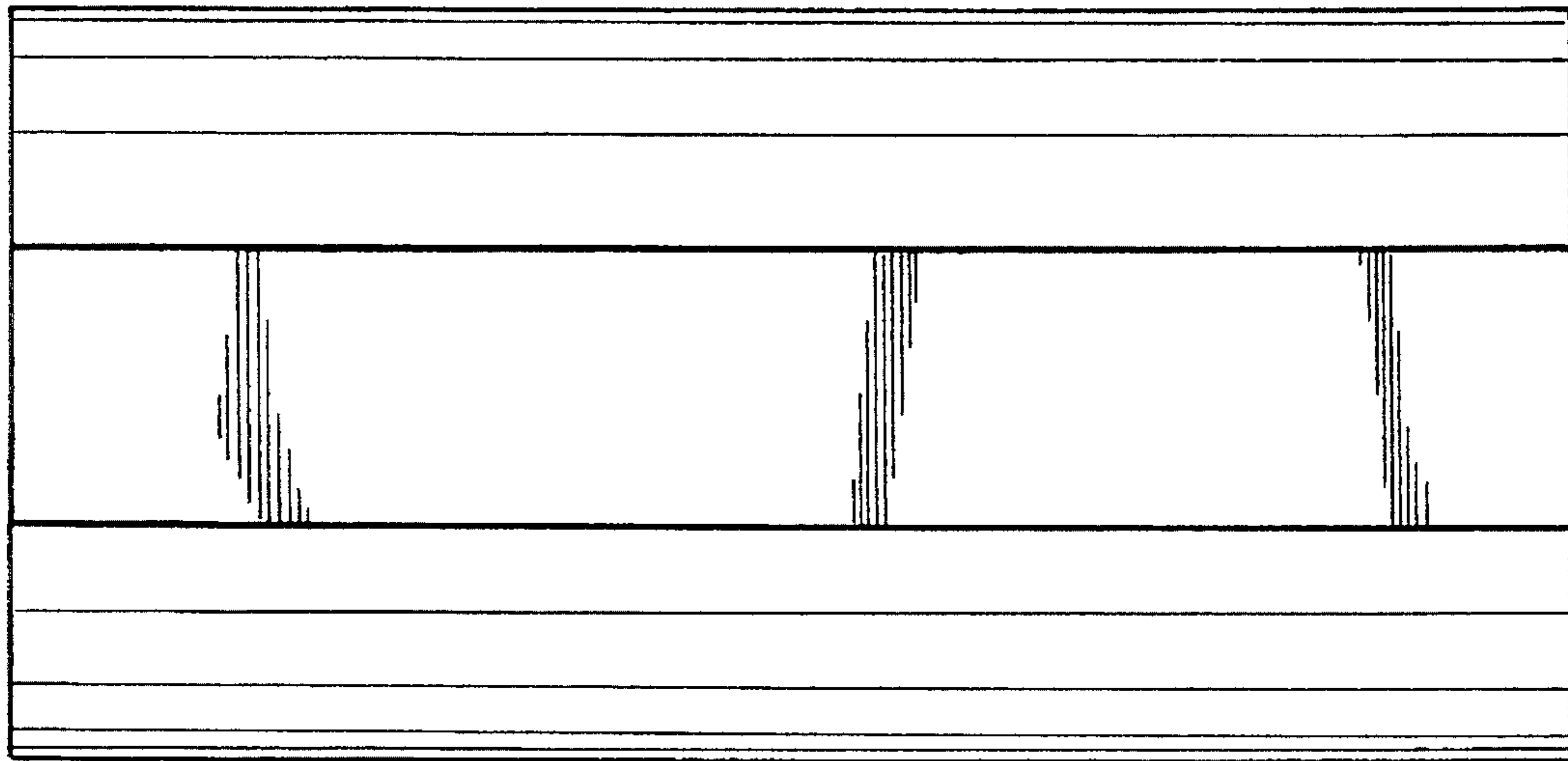


FIG. 7

