



US00D366223S

United States Patent [19]
Samuel

[11] **Patent Number: Des. 366,223**

[45] **Date of Patent: **Jan. 16, 1996**

[54] **BRACELET**

[75] Inventor: **Henri Samuel**, Paris, France

[73] Assignee: **Fred, S.A.**, Paris, France

[**] Term: **14 Years**

[21] Appl. No.: **20,286**

[22] Filed: **Mar. 22, 1994**

[30] **Foreign Application Priority Data**

Sep. 22, 1993 [XH] Hague Agreement DM/027.491

[52] **U.S. Cl.** **D11/3**

[58] **Field of Search** D11/1-19, 26-39;
63/1.1-5.1

[56] **References Cited**

U.S. PATENT DOCUMENTS

D. 152,491	1/1949	Ostier	D11/4
1,140,445	5/1915	Collingwood	63/5.1
2,623,256	12/1952	Feibelman	63/3
5,074,127	12/1991	Yurman	63/3

OTHER PUBLICATIONS

Goldschmiede Zeitung-Philippe d'Arsy
Advertisement-bracelet left center of p. 88-Feb. 1983.

Primary Examiner—Ralf Seifert

Attorney, Agent, or Firm—Clifford W. Browning; Woodard, Emhardt, Naughton, Moriarty & McNett

[57] **CLAIM**

The ornamental design for a bracelet, as shown and described.

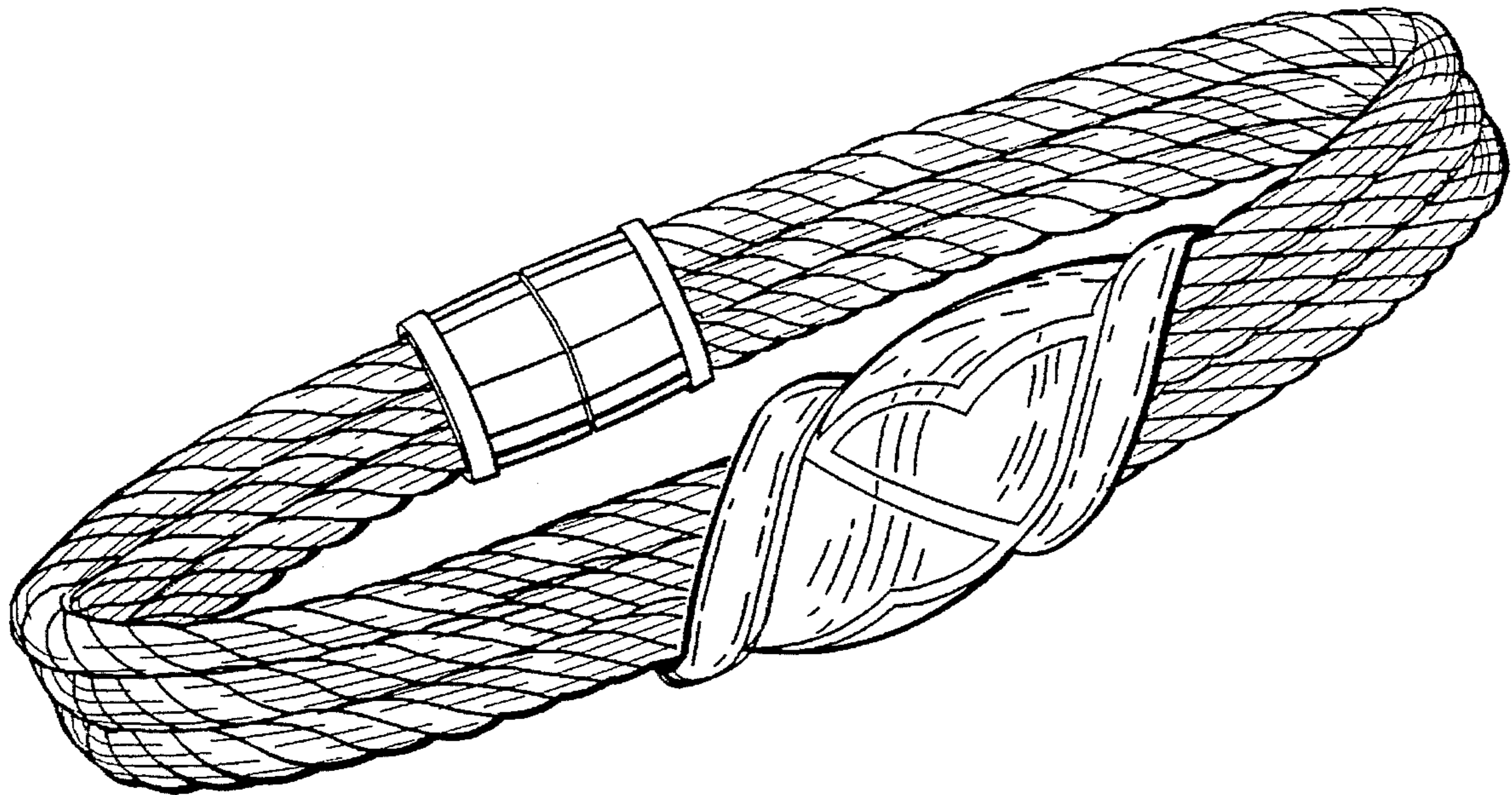
DESCRIPTION

FIG. 1 is a top plan view of a bracelet, showing my new design;

FIG. 2 is a back elevational view of the bracelet of FIG. 1 the front side elevational view being a mirror image thereof; FIG. 3 is a left side elevational view of the bracelet of FIG. 1, the right side elevational view being a mirror image thereof;

FIG. 4 is a bottom plan view of the bracelet of FIG. 1; and, FIG. 5 is a top perspective view of the bracelet of FIG. 1.

1 Claim, 2 Drawing Sheets



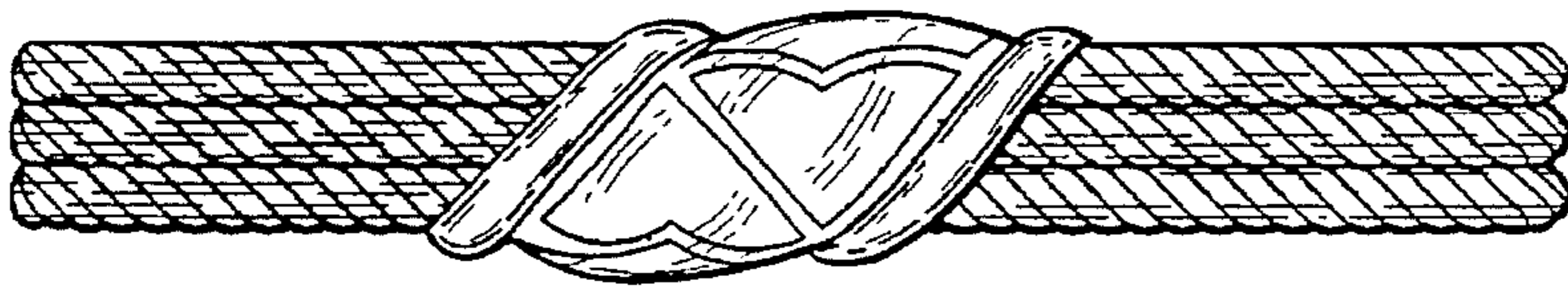


Fig. 1

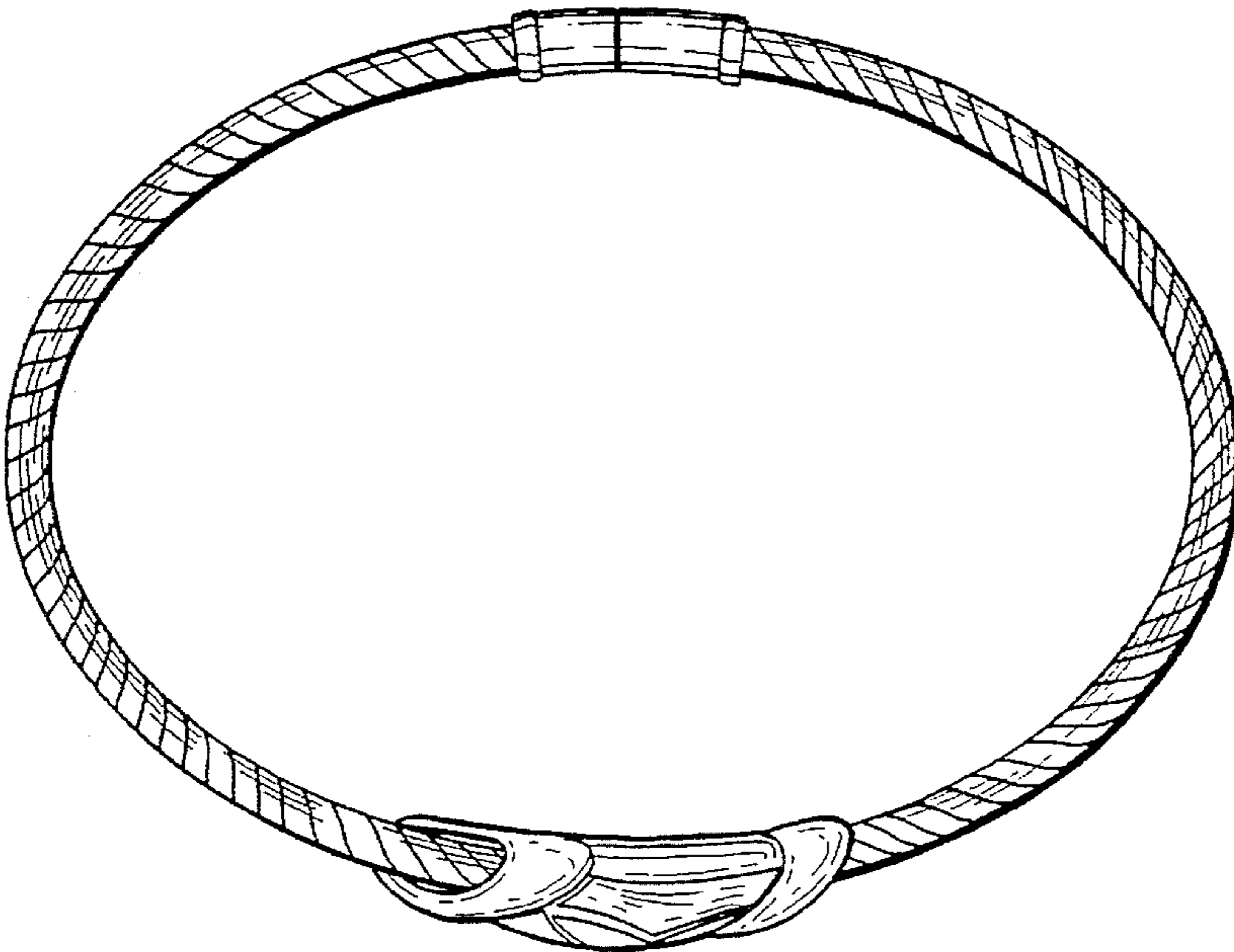


Fig. 2

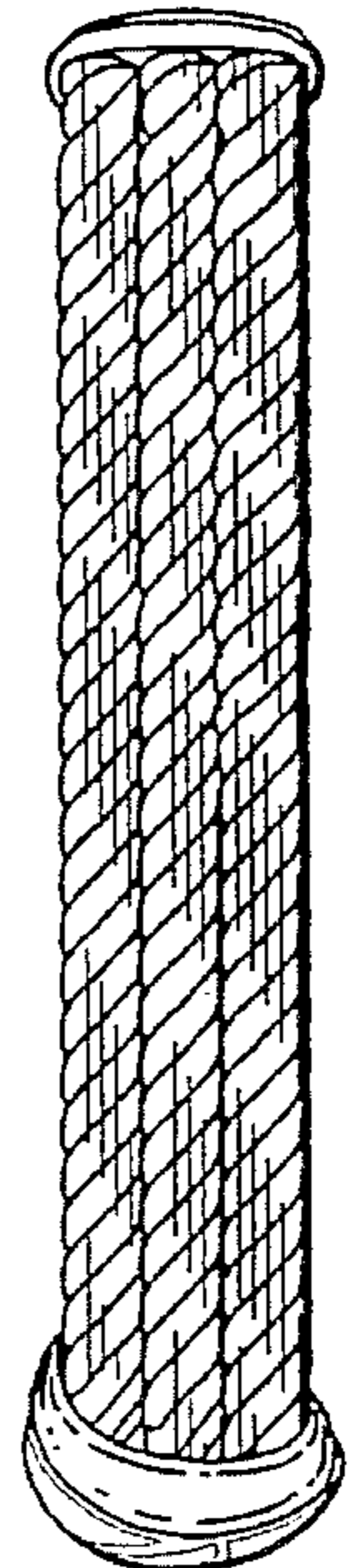


Fig. 3

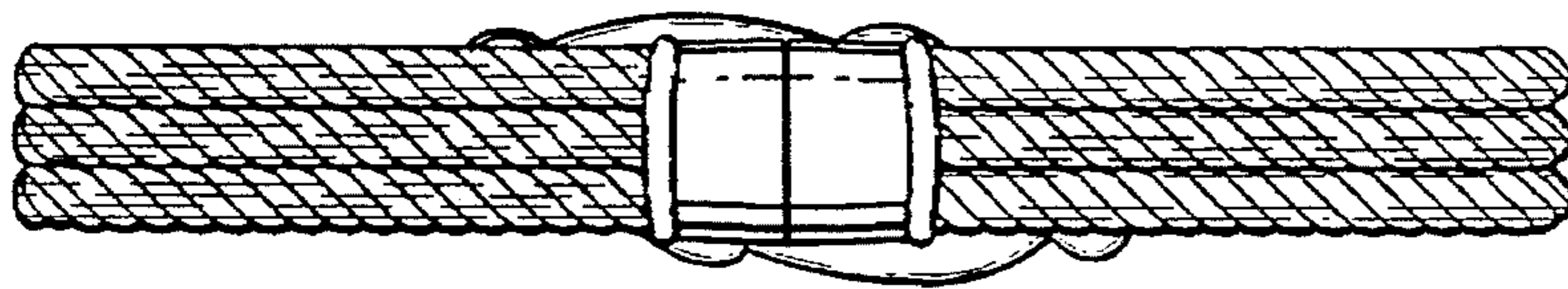


Fig. 4

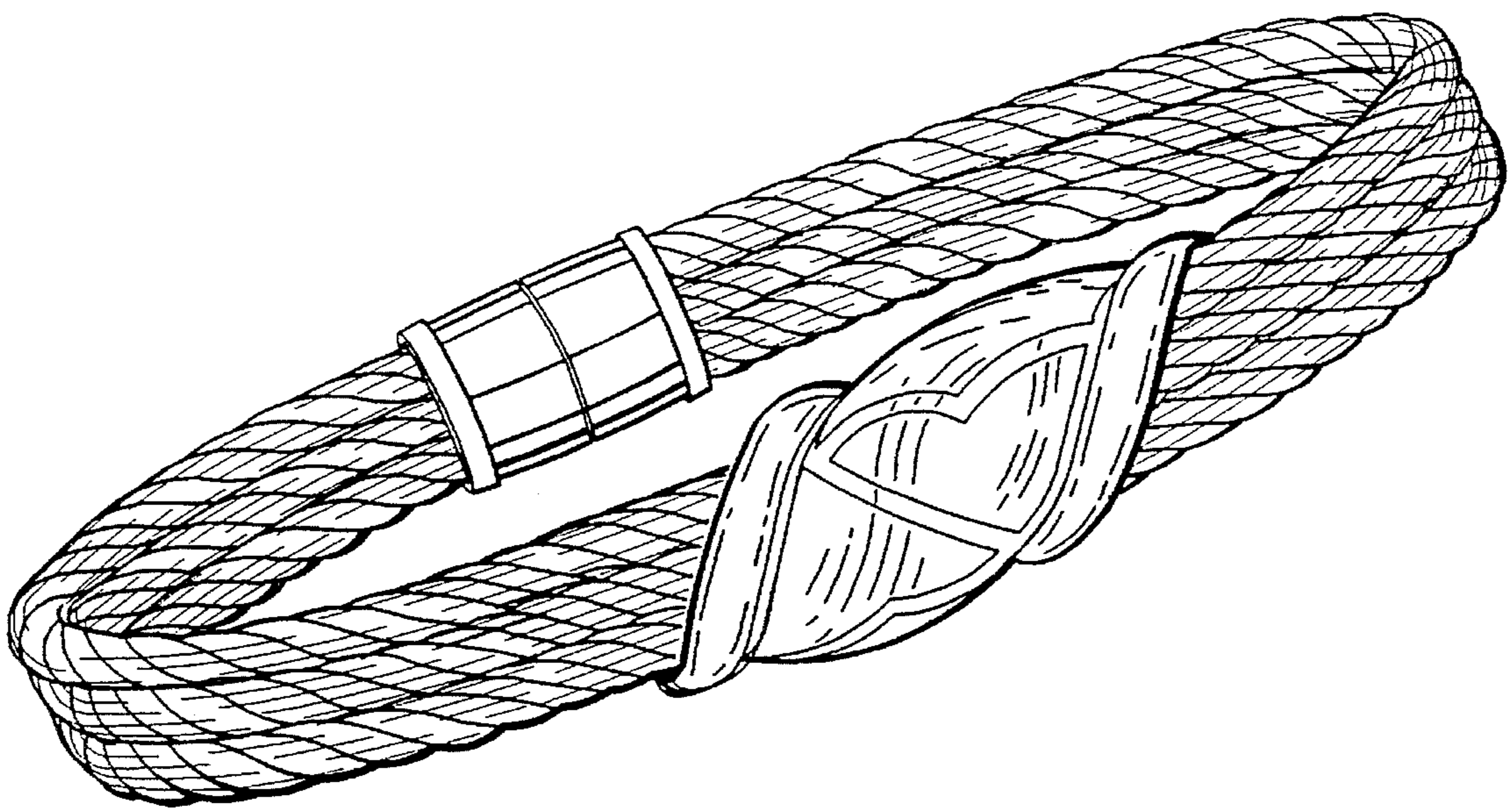


Fig.5