



US00D366222S

**United States Patent** [19]  
**Sandell et al.**

[11] **Patent Number: Des. 366,222**  
[45] **Date of Patent: \*\*Jan. 16, 1996**

- [54] **MOUNTING PLATE FOR PASSIVE INFRARED MOTION DETECTOR WITH LIGHT FIXTURE**
- [75] Inventors: **Donald R. Sandell**, San Jose; **Wade Lee**, Lafayette, both of Calif.
- [73] Assignee: **Larry C. Y. Lee**, Hayward, Calif.
- [\*\*] Term: **14 Years**
- [21] Appl. No.: **22,859**
- [22] Filed: **May 13, 1994**
- [52] U.S. Cl. .... **D10/106; D26/138**
- [58] **Field of Search** ..... D10/104, 106, D10/114, 116, 121; 340/521, 540, 541, 543, 544, 545, 546, 555, 556, 557, 565; D26/24, 25, 26, 72, 73, 74, 63, 138

[56] **References Cited**

**U.S. PATENT DOCUMENTS**

D. 277,558	2/1985	Mallory	.....	D10/106
D. 335,193	4/1993	Shaanan et al.	.....	D26/63
D. 335,467	5/1993	Cheng	.....	D10/106
D. 338,845	8/1993	Rohrs	.....	D10/106
D. 342,334	12/1993	Vakil	.....	D10/114
D. 352,124	11/1994	Russello et al.	.....	D26/63
D. 359,008	6/1995	Sandell et al.	.....	D10/106

**OTHER PUBLICATIONS**

- "Regent Motion Activated," Product promotional literature, Regent Lighting Corporation, prior to May 13, 1994.
- "First Alert Home Safety Products," Motion Sensors section, Product promotional literature, First Alert, prior to May 13, 1994.
- "First Alert Home and Office Lighting Controls, Motion

- Sensors," Product promotional literature, First Alert, prior to May 13, 1994.
- "Products for Home Security, Home Safety, Home Convenience," Product promotional literature, Tahoe Products, Inc., prior to May 13, 1994.
- "Infrared Motion Detector Models 1290 & 1291," Product promotional literature, Woods Wire Products, Inc., 1988.
- "Gotcha! The Motion Activated Lighting System," Product flier, Gotcha! by LightForce, prior to May 13, 1994.
- "Nite-Secure Motion Sensor Light Control," Product promotional literature, Galaxy Electrical Mfg., Inc., 1992.
- "Night Patrol Security Light," Product flier, Orient Resources, Inc., prior to May 13, 1994.

*Primary Examiner*—A. Hugo Word  
*Assistant Examiner*—Marcus Jackson  
*Attorney, Agent, or Firm*—Elliot B. Aronson

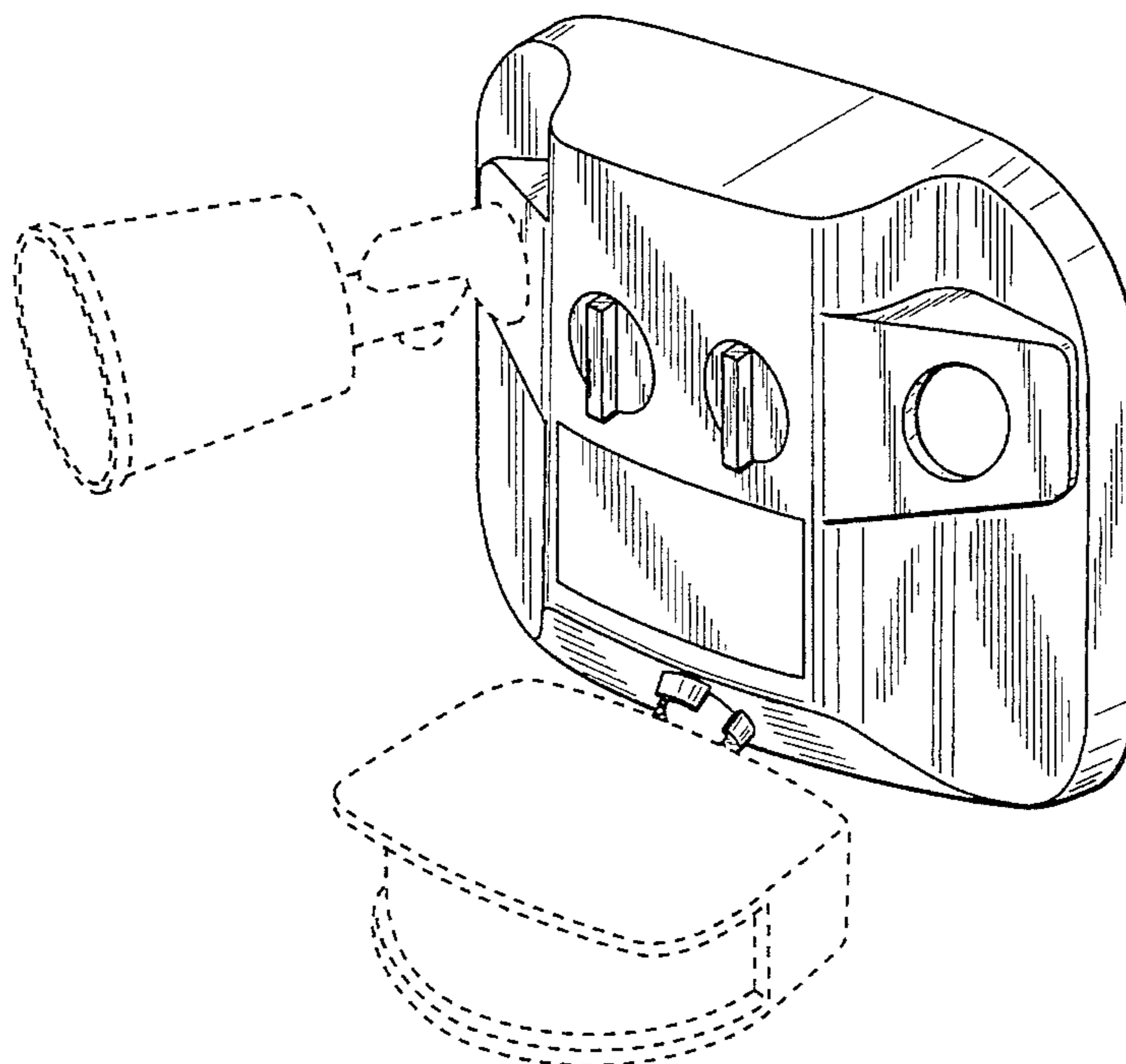
[57] **CLAIM**

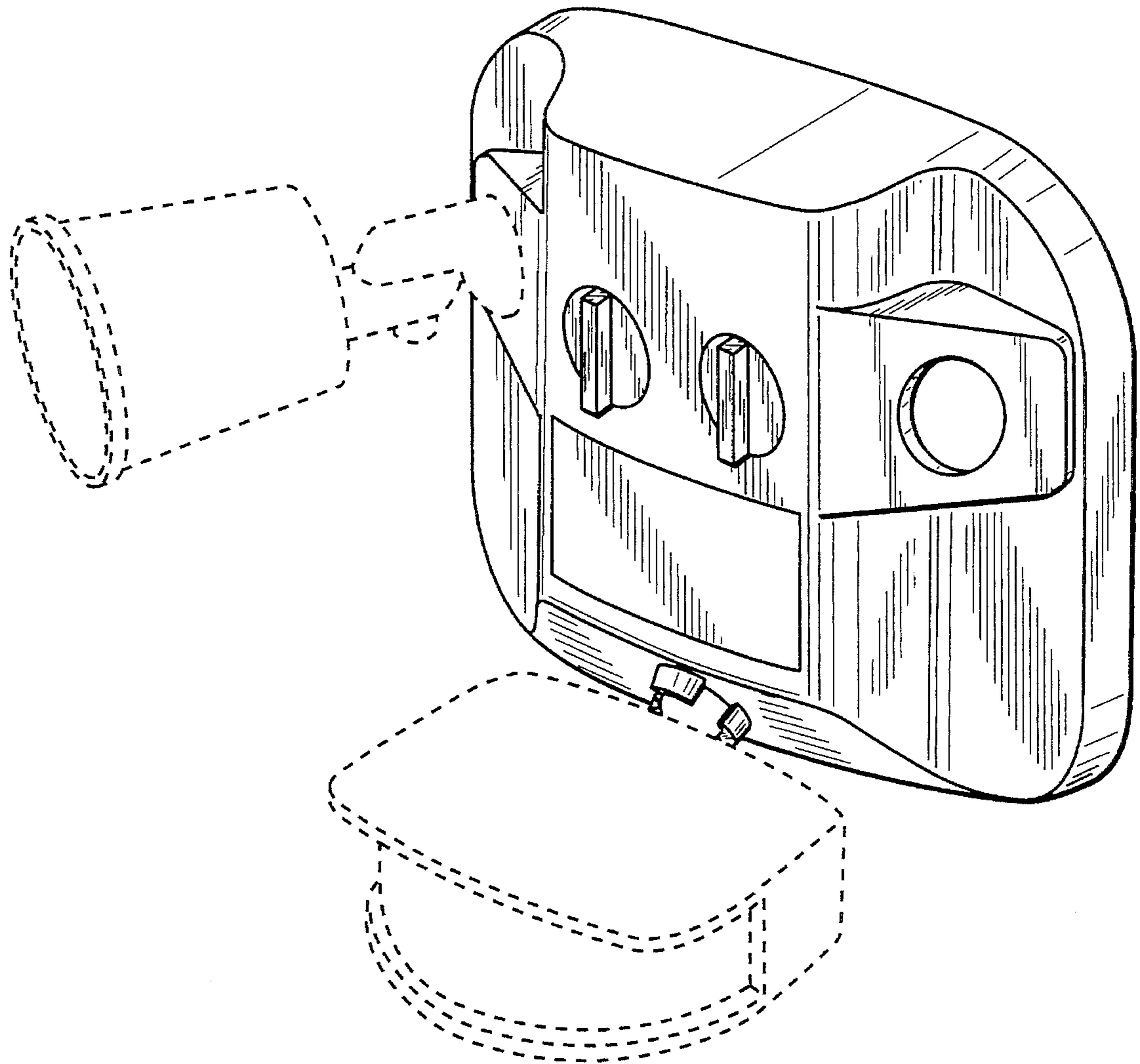
The ornamental design for a mounting plate for a passive infrared motion detector with light fixture, as shown and described.

**DESCRIPTION**

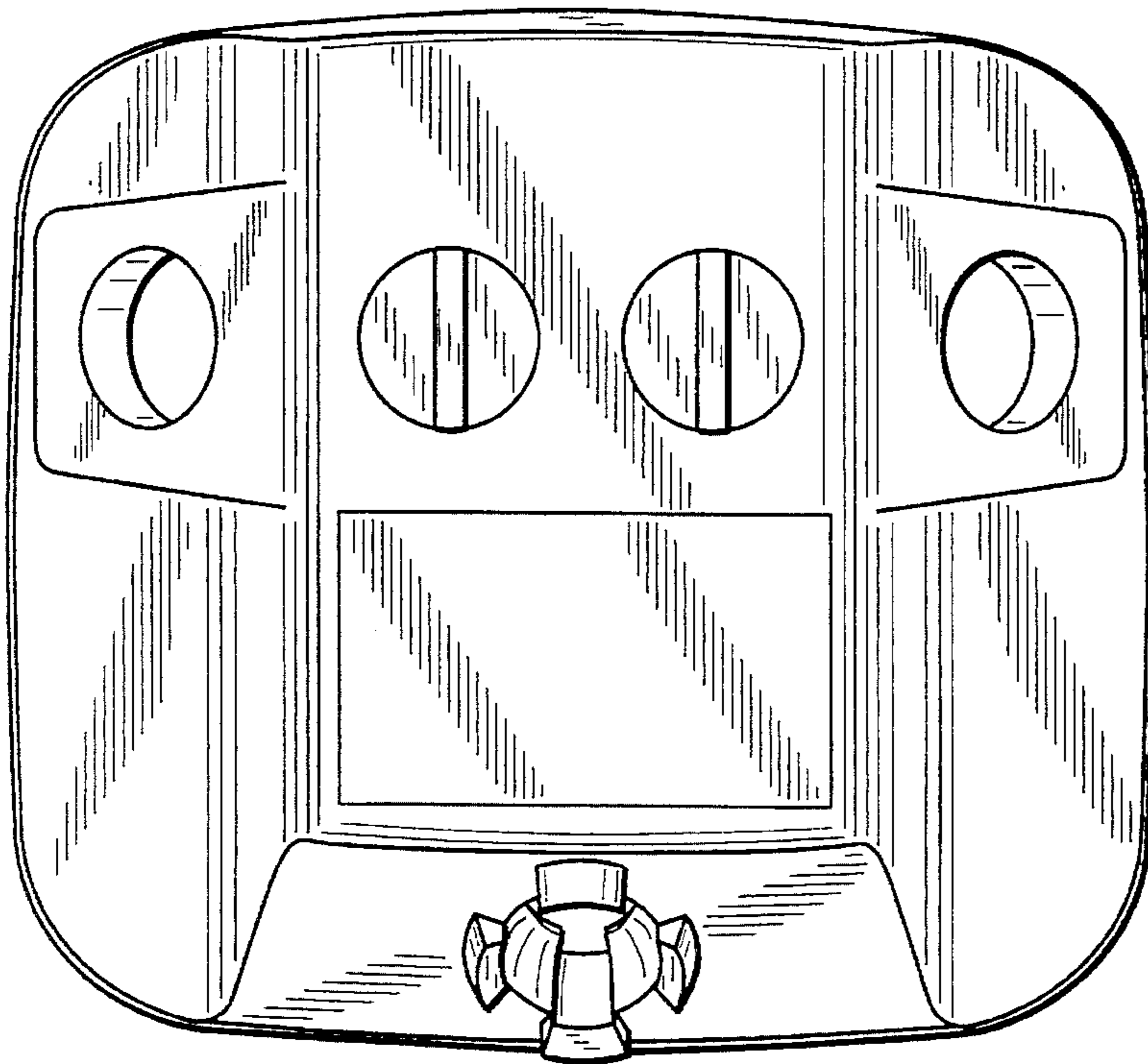
FIG. 1 is a perspective view of a mounting plate for a passive infrared motion detector with light fixture showing our new design, with the broken line showing for illustrative purposes only and forming no part of the claimed design; FIG. 2 is a front elevational view thereof; the rear view is plain and unornamented; FIG. 3 is a left elevational view thereof, the right elevational view being a mirror image; FIG. 4 is a top plan view thereof; and, FIG. 5 is a bottom plan view thereof.

**1 Claim, 2 Drawing Sheets**

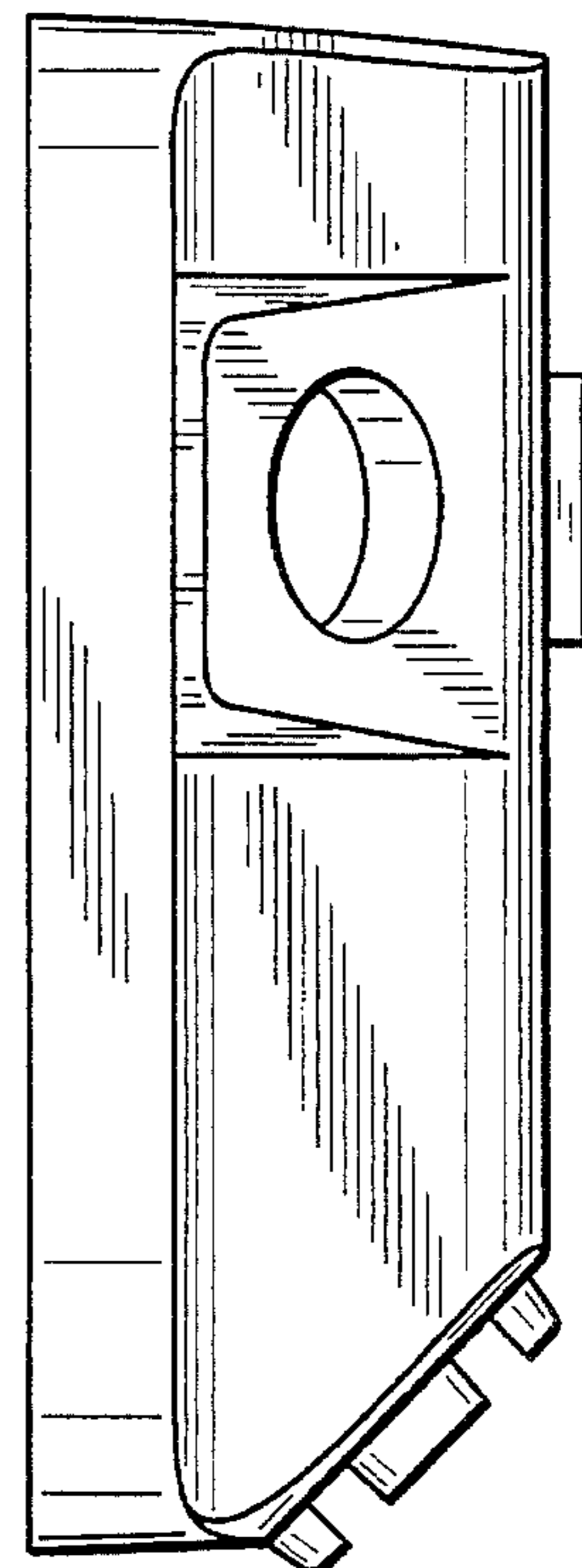




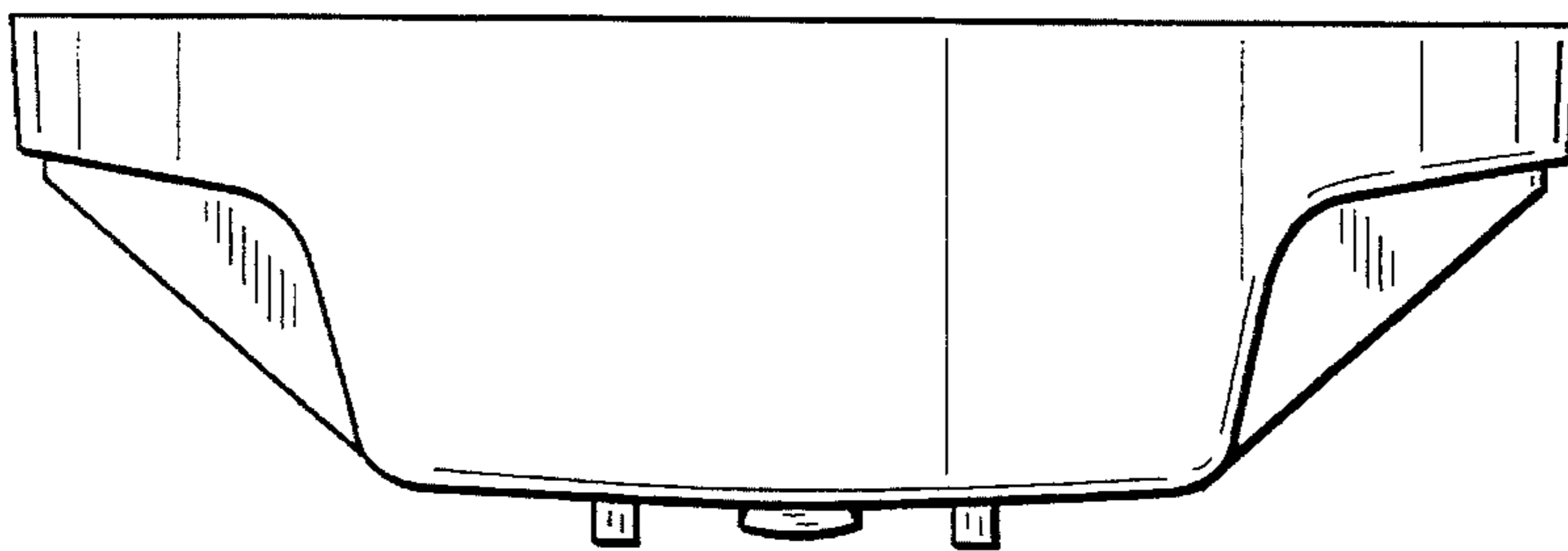
**FIG. 1**



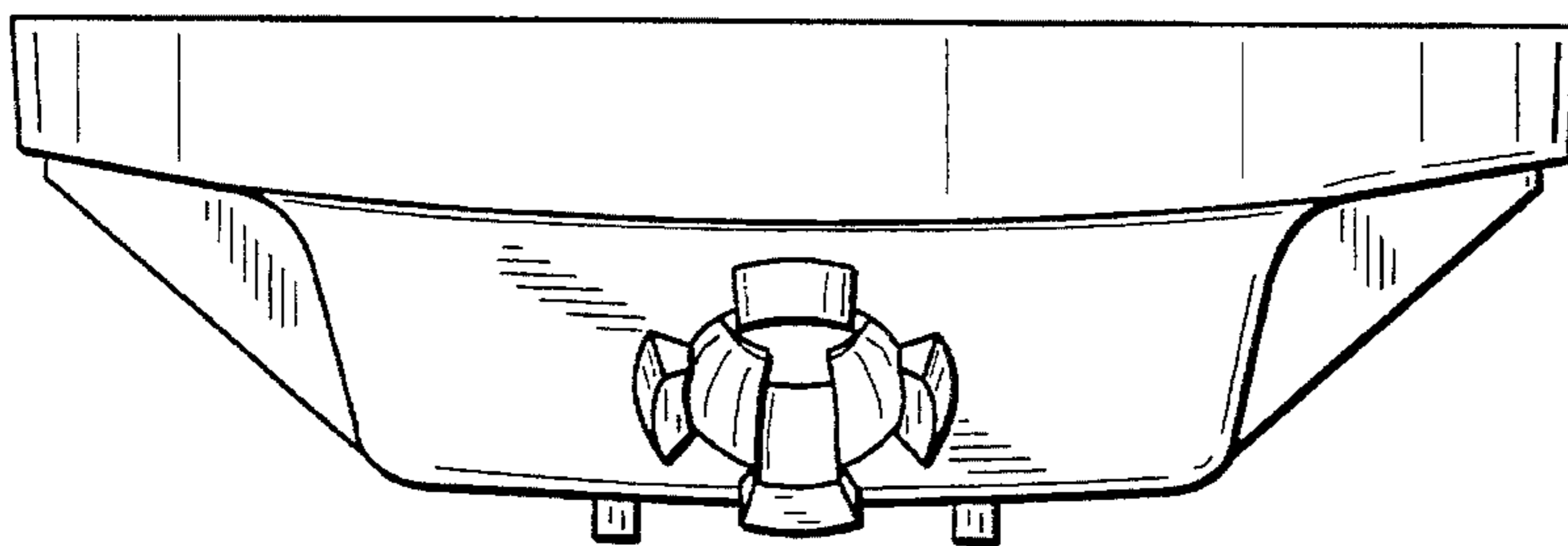
**FIG.\_2**



**FIG.\_3**



**FIG.\_4**



**FIG.\_5**