



US00D366218S

# United States Patent [19]

[11] Patent Number: **Des. 366,218**

Price et al.

[45] Date of Patent: **\*\*Jan. 16, 1996**

## [54] TEMPERATURE TRANSMITTER HOUSING

## OTHER PUBLICATIONS

[75] Inventors: **Timothy D. Price**, Chichester; **Paul A. Freeman**, Bognor Regis, both of England

Product Data Sheet PDS 4993, "Model 244P—Head and Rail Mount Temperature Transmitters", Rosemount Inc., Chanhassen, MN, pp. 1-11, Mar. 1994.

[73] Assignee: **Rosemount Inc.**, Eden Prairie, Minn.

*Primary Examiner*—Antoine Duval Davis  
*Attorney, Agent, or Firm*—Westman, Champlin & Kelly

[\*\*] Term: **14 Years**

## [57] CLAIM

[21] Appl. No.: **33,869**

The ornamental design for a temperature transmitter housing, as shown and described.

[22] Filed: **Dec. 23, 1994**

## DESCRIPTION

[52] U.S. Cl. .... **D10/52**

[58] Field of Search ..... D10/46, 52; 136/230-233; 137/82, 85, 86; 277/28; 174/152 R; 374/208

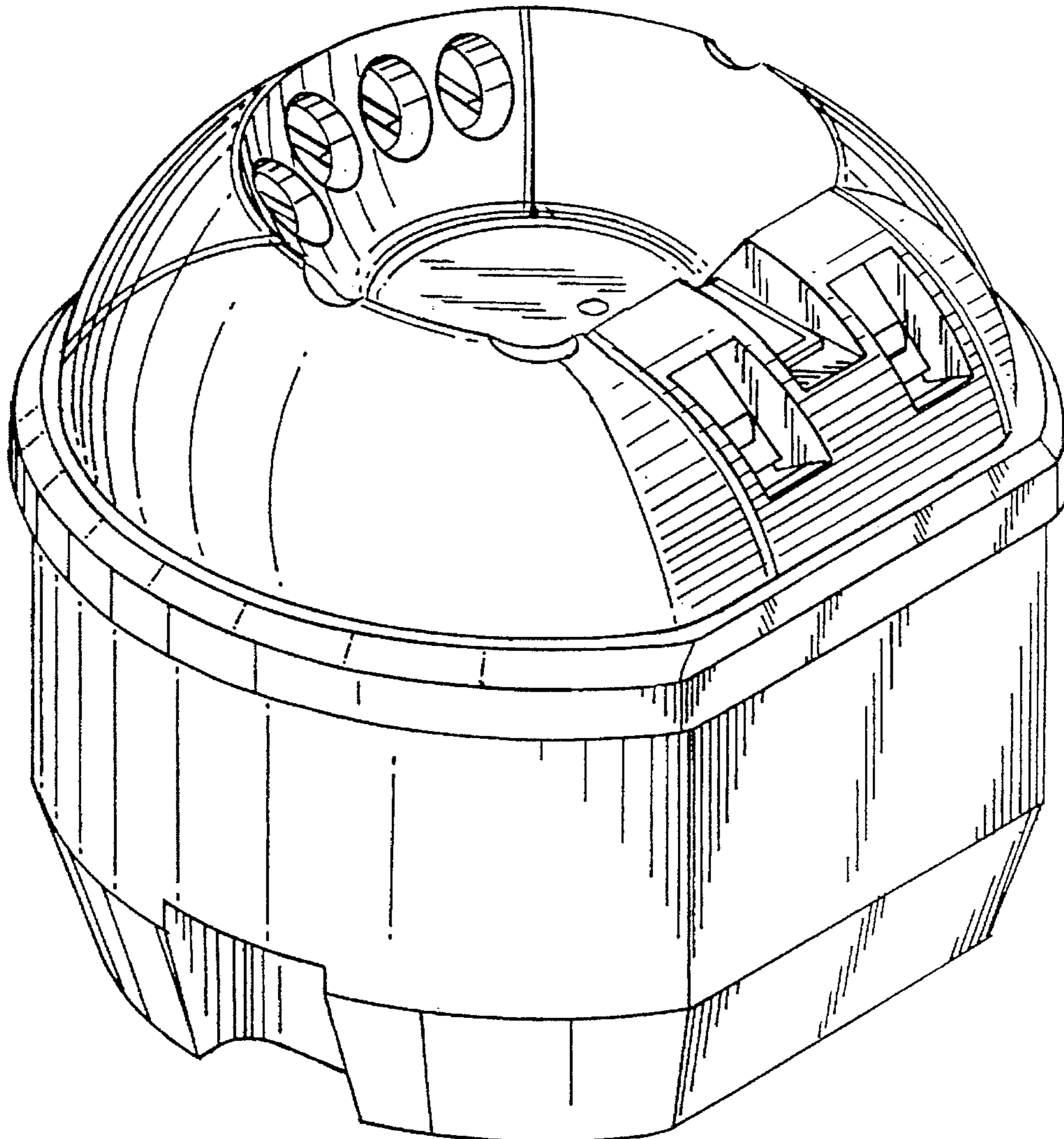
FIG. 1 is a perspective view;  
FIG. 2 is a top plan view;  
FIG. 3 is a front elevational view;  
FIG. 4 is a left side view;  
FIG. 5 is a right side view;  
FIG. 6 is a rear elevational view; and,  
FIG. 7 is a bottom plan view.

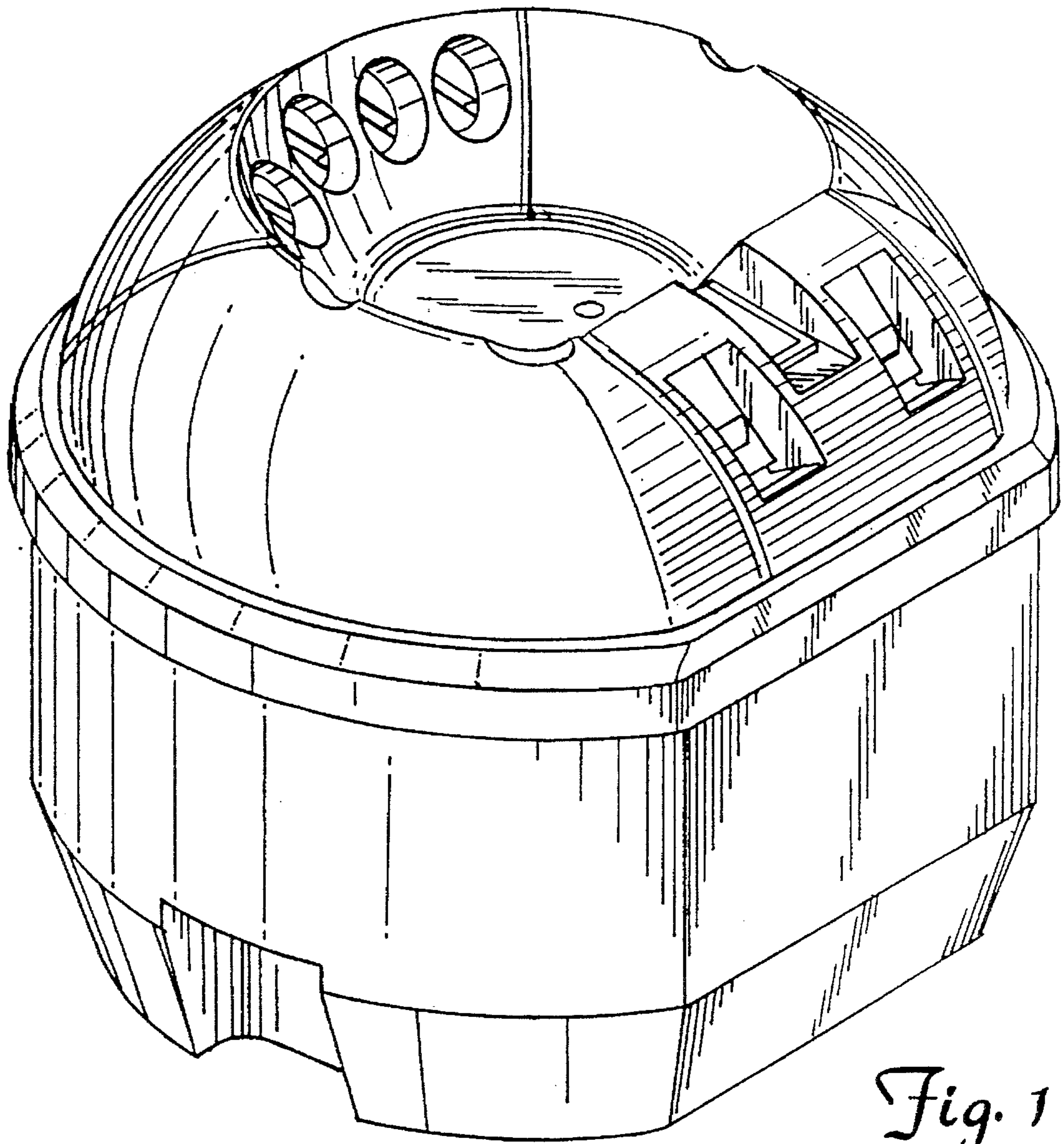
## [56] References Cited

### U.S. PATENT DOCUMENTS

D. 317,269 6/1991 Selg ..... D10/52  
4,958,938 9/1990 Schwartz et al. .... 374/208

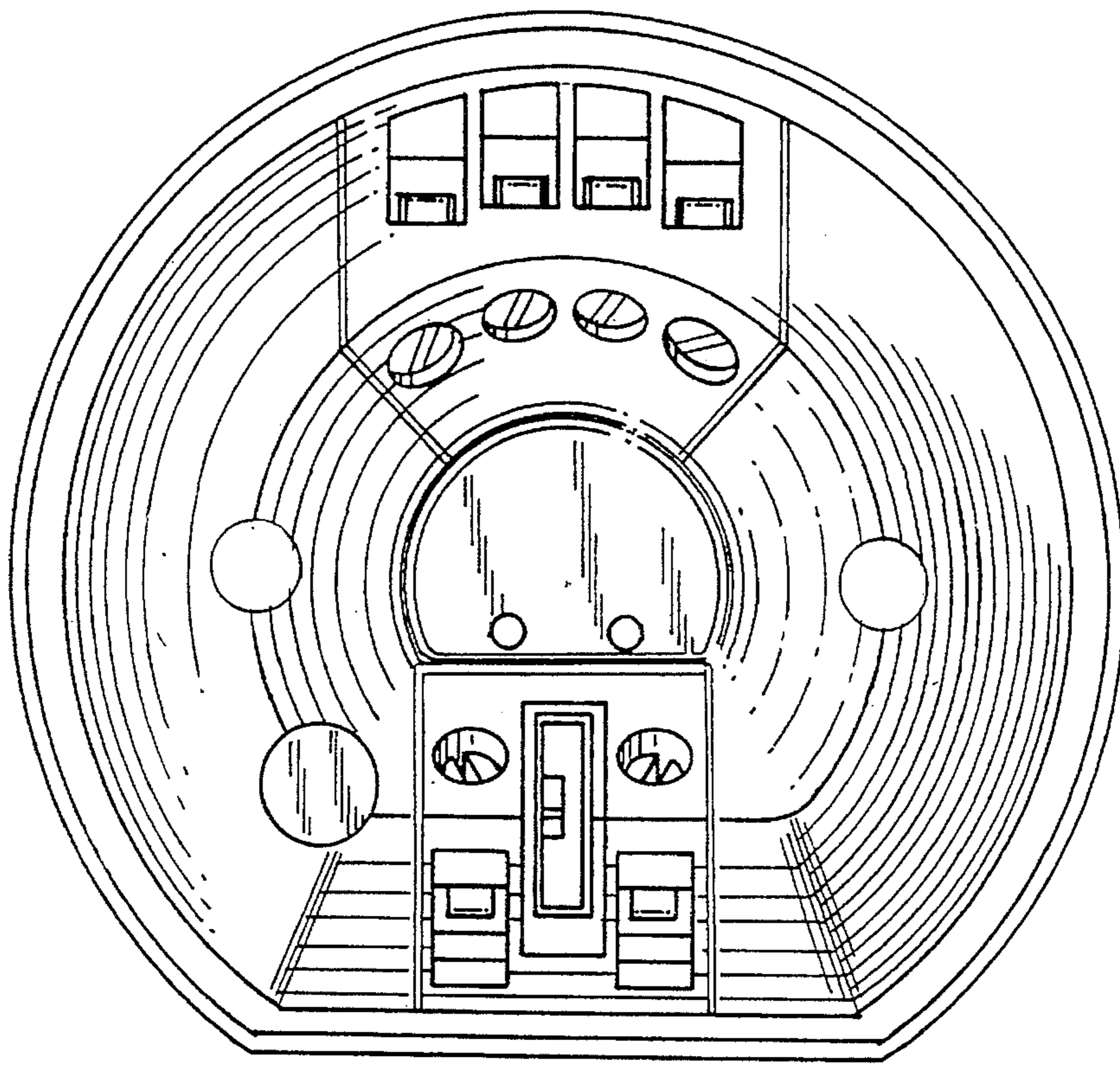
**1 Claim, 4 Drawing Sheets**



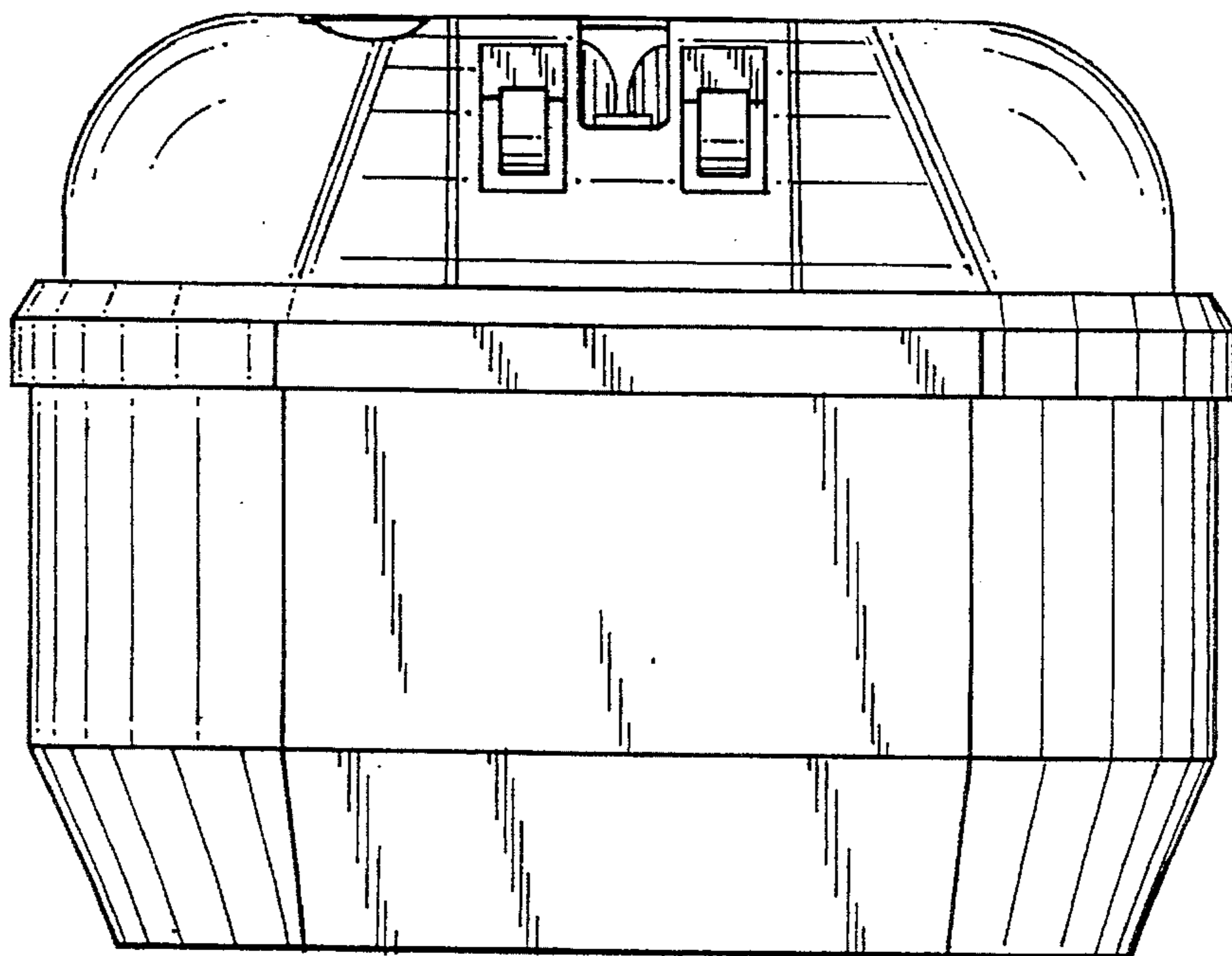


*Fig. 1*

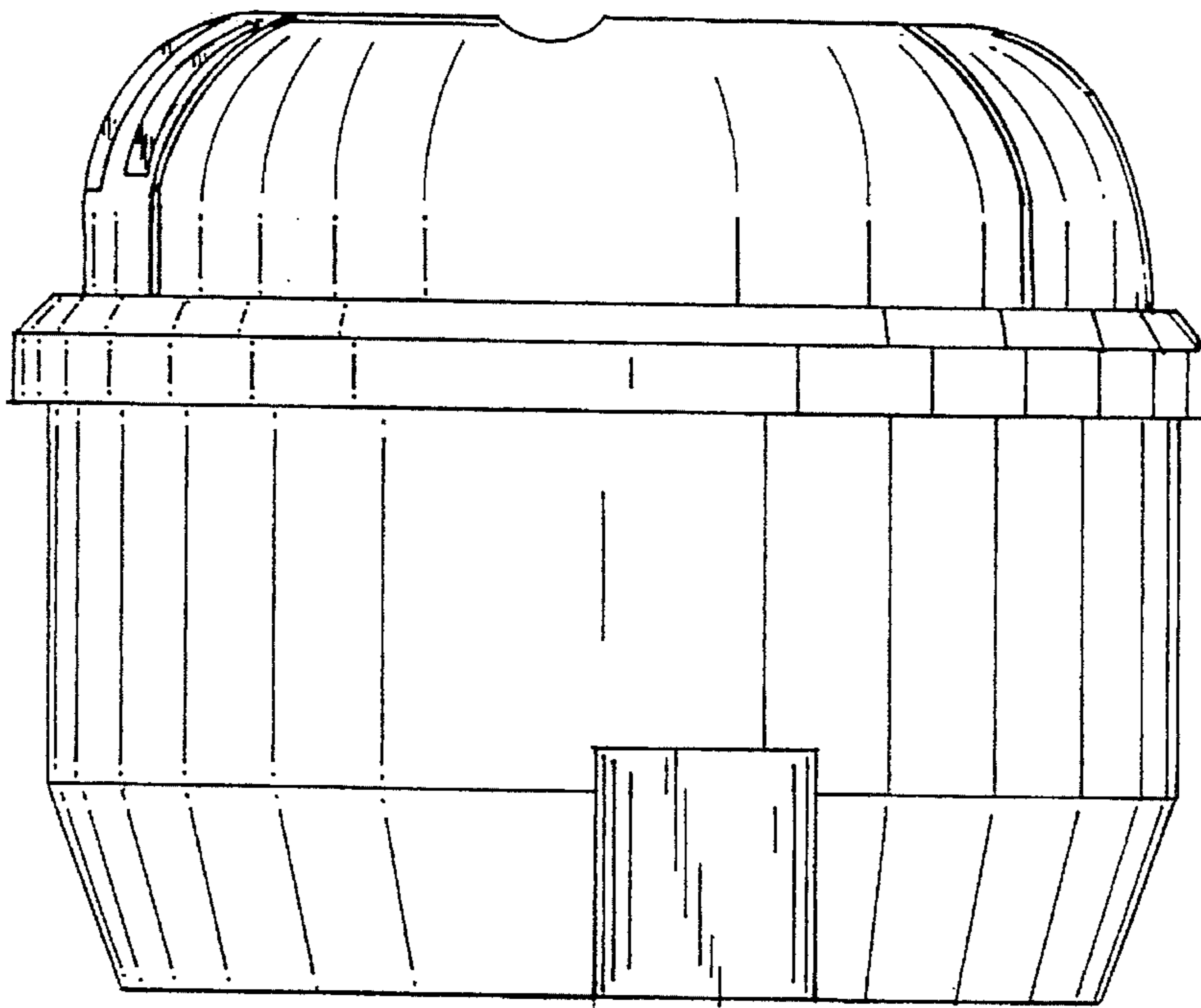




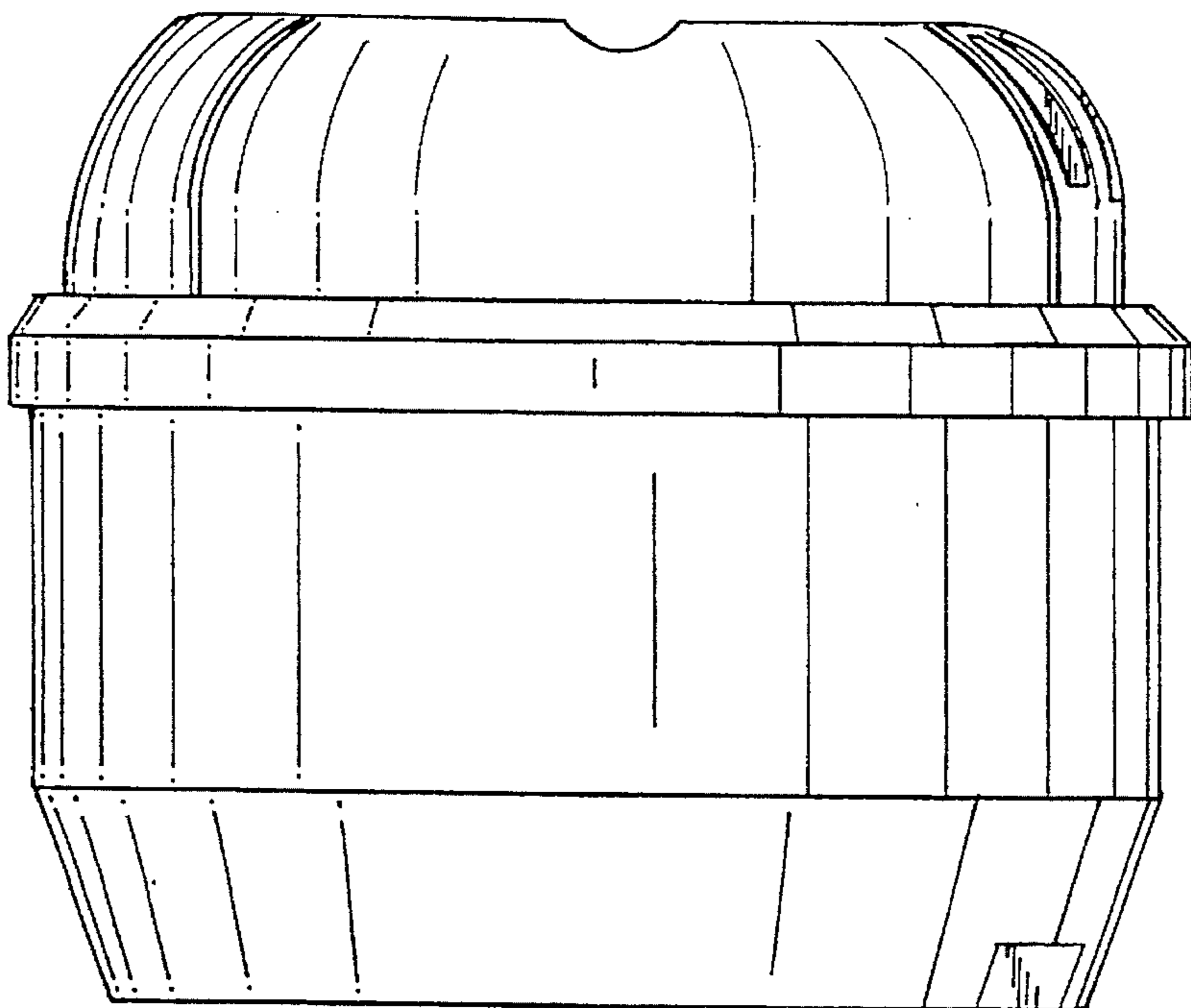
*Fig. 2*



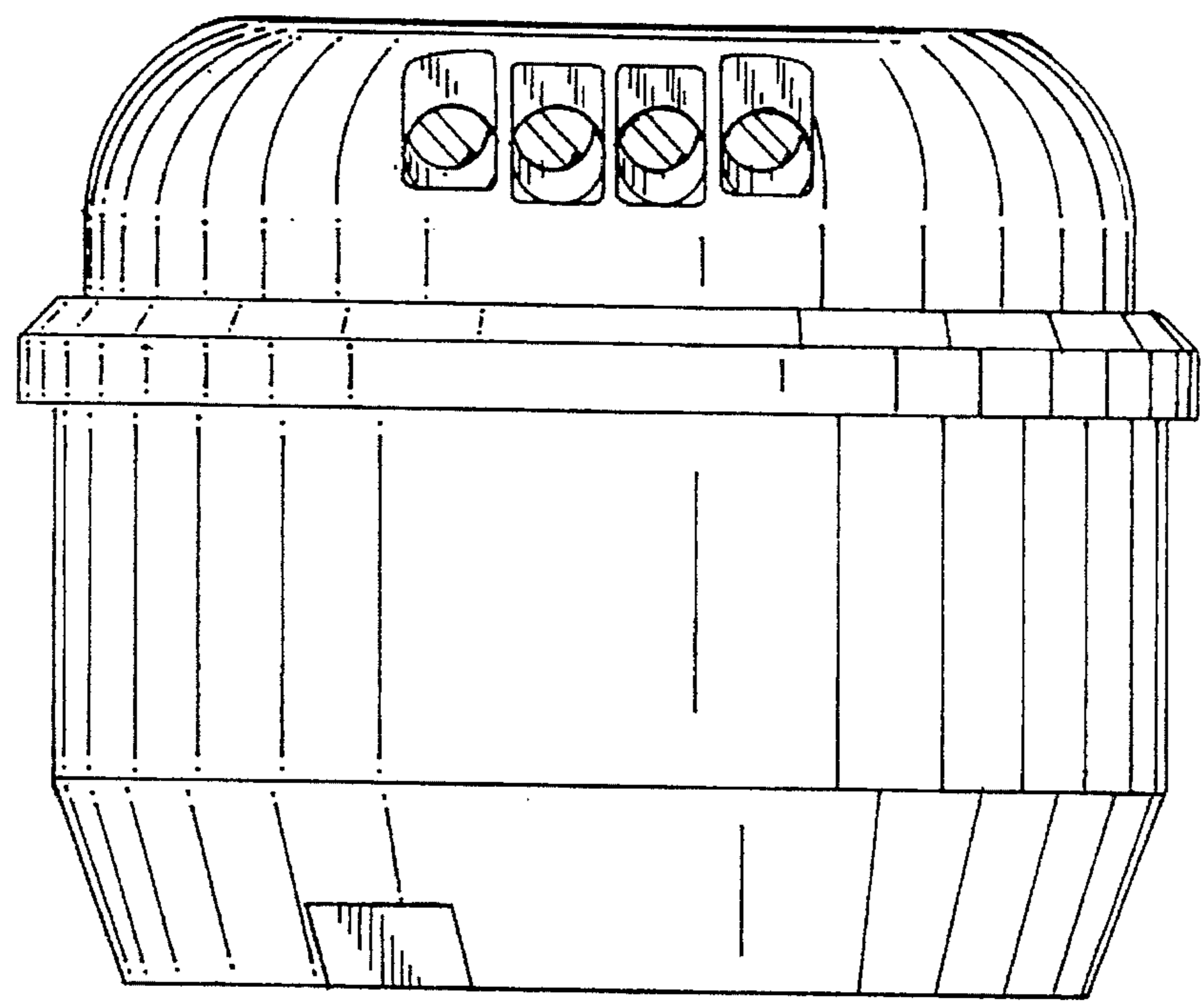
*Fig. 3*



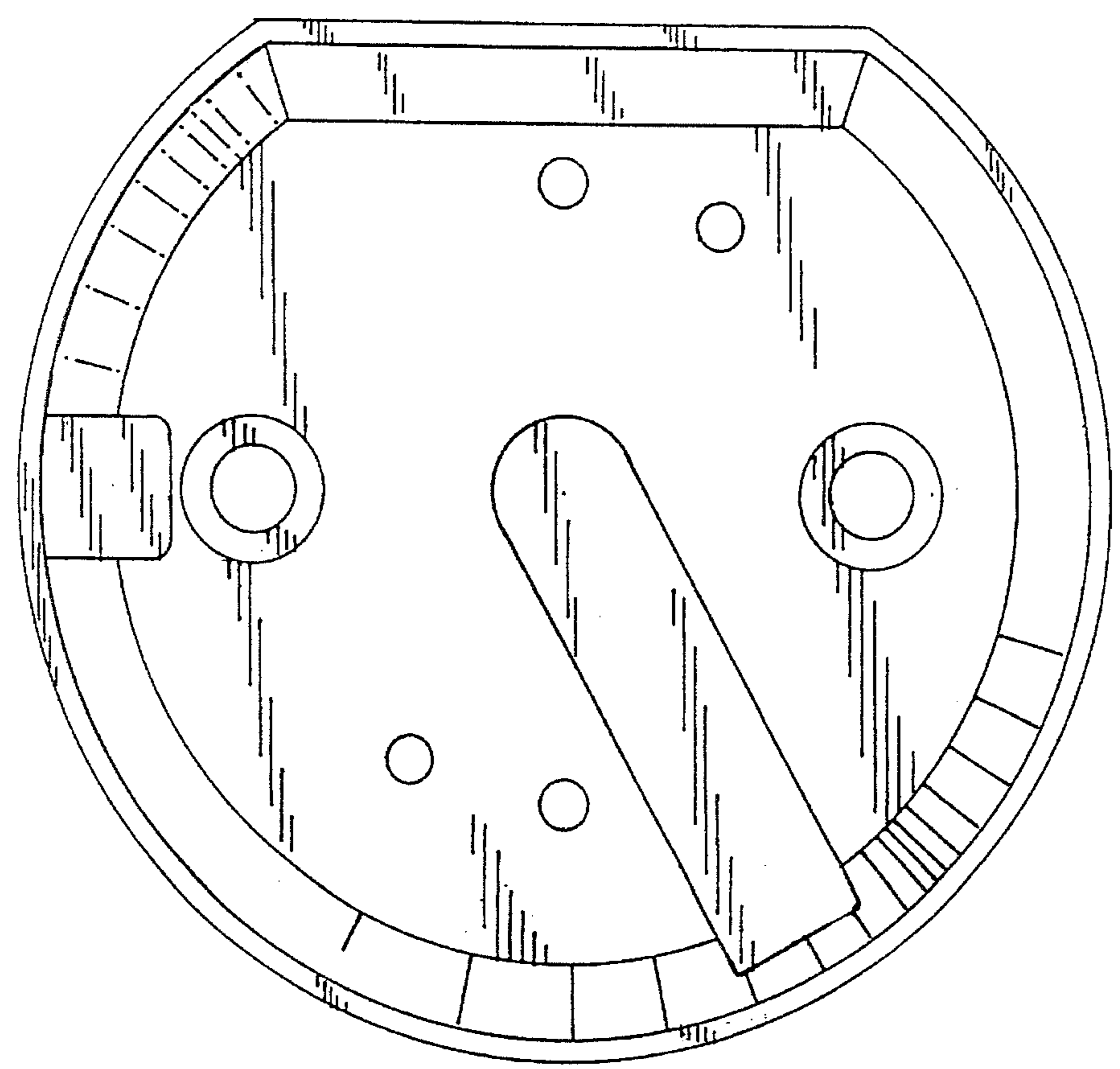
*Fig. 4*



*Fig. 5*



*Fig. 6*



*Fig. 7*