



US00D366217S

United States Patent [19]
Dudley et al.

[11] **Patent Number: Des. 366,217**
[45] **Date of Patent: **Jan. 16, 1996**

- [54] **PORTABLE TIME TRACKING AND LOGGING APPARATUS**
- [75] Inventors: **James P. Dudley**, Sacramento; **Kyle D. Fields**, El Dorado Hills, both of Calif.
- [73] Assignee: **Stratos Industries, Inc.**, Shingle Springs, Calif.
- [**] Term: **14 Years**
- [21] Appl. No.: **30,306**
- [22] Filed: **Oct. 26, 1994**
- [52] **U.S. Cl.** **D10/46; D10/78**
- [58] **Field of Search** **D10/46, 78, 96; D18/6, 7; 340/825.08; 361/380, 680; 364/402, 403, 704, 705.01, 705.06, 706, 707, 709.02, 709.04, 709.11; 395/200, 275**

[56] **References Cited**

U.S. PATENT DOCUMENTS

D. 359,920	7/1995	Sakamoto	D10/78 X
4,035,627	7/1977	Dickinson et al.	.	
4,115,870	9/1978	Lowell	.	
4,164,038	8/1979	Nachtigal	.	
4,460,965	7/1984	Trehn et al.	.	
4,961,158	10/1990	Sussman	.	
5,068,787	11/1991	Pipella et al.	.	
5,142,486	8/1992	Guntharp, Jr. et al.	.	

5,155,659 10/1992 Kunert .

Primary Examiner—Antoine Duval Davis
Attorney, Agent, or Firm—John P. O'Banion

[57] **CLAIM**

The ornamental design for a portable time tracking and logging apparatus, as shown and described.

DESCRIPTION

FIG. 1 is a perspective view of the portable time tracking and logging apparatus of the present invention as seen from the front;

FIG. 2 is a top plan view of the portable time tracking and logging apparatus shown in FIG. 1;

FIG. 3 is a bottom view of the portable time tracking and logging apparatus shown in FIG. 1;

FIG. 4 is a front elevational view of the portable time tracking and logging apparatus shown in FIG. 1;

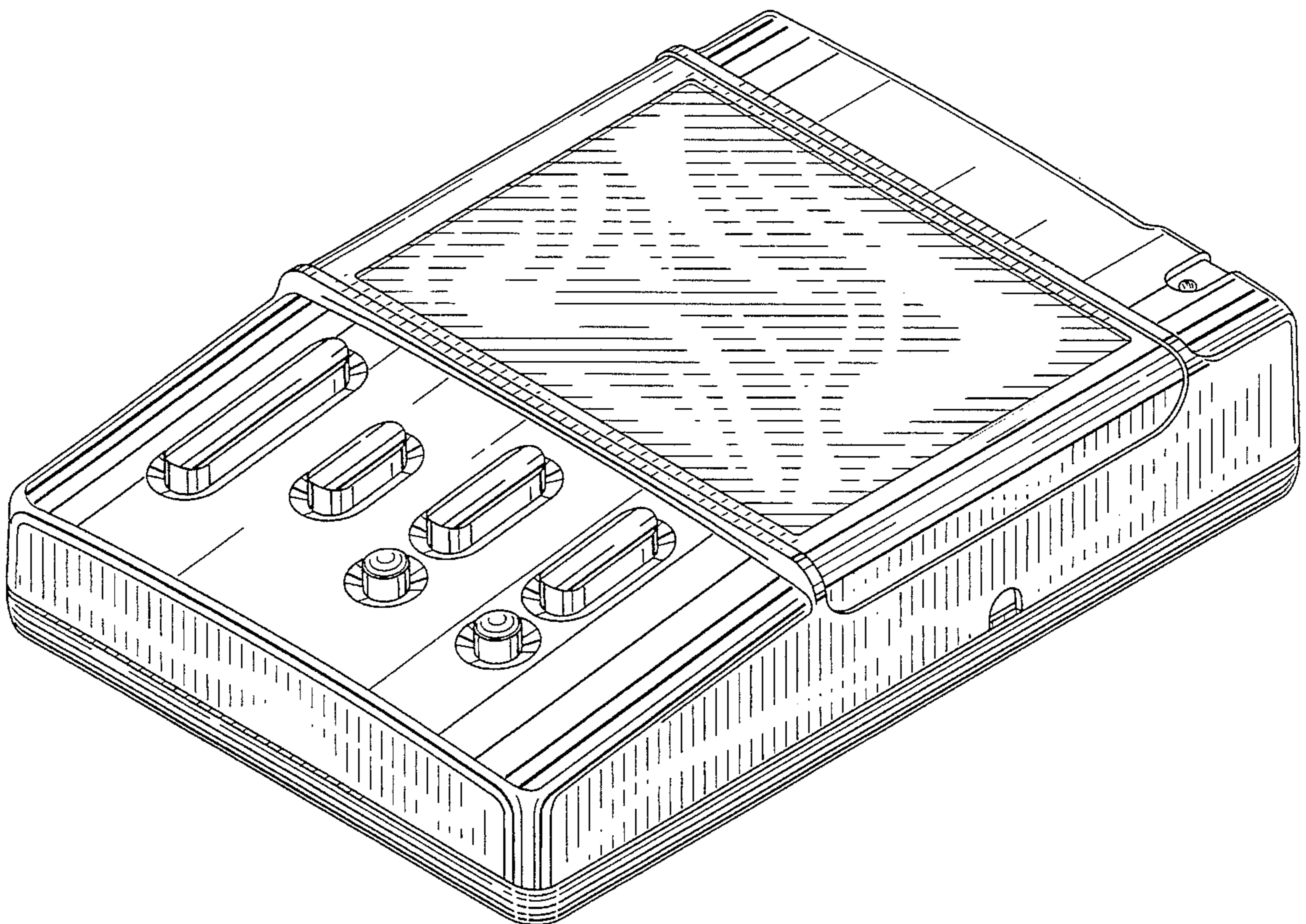
FIG. 5 is a rear elevational view of the portable time tracking and logging apparatus shown in FIG. 1;

FIG. 6 is a right elevational view of the portable time tracking and logging apparatus shown in FIG. 1;

FIG. 7 is a left elevational view of the portable time tracking and logging apparatus shown in FIG. 1;

FIG. 8 is a bottom front perspective view of a second embodiment thereof all other views being identical to those shown in FIGS. 1-7.

1 Claim, 5 Drawing Sheets



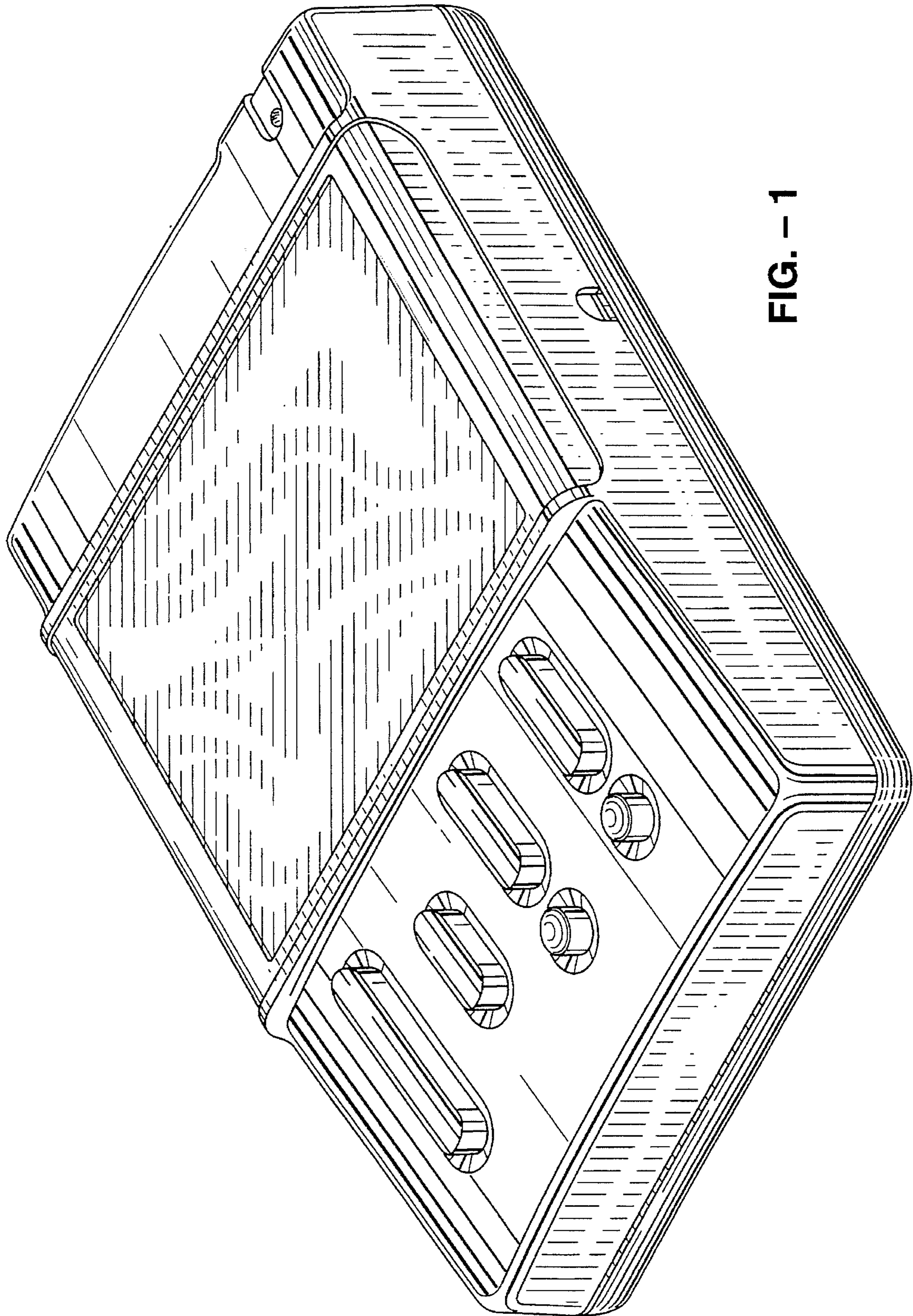


FIG. -- 1

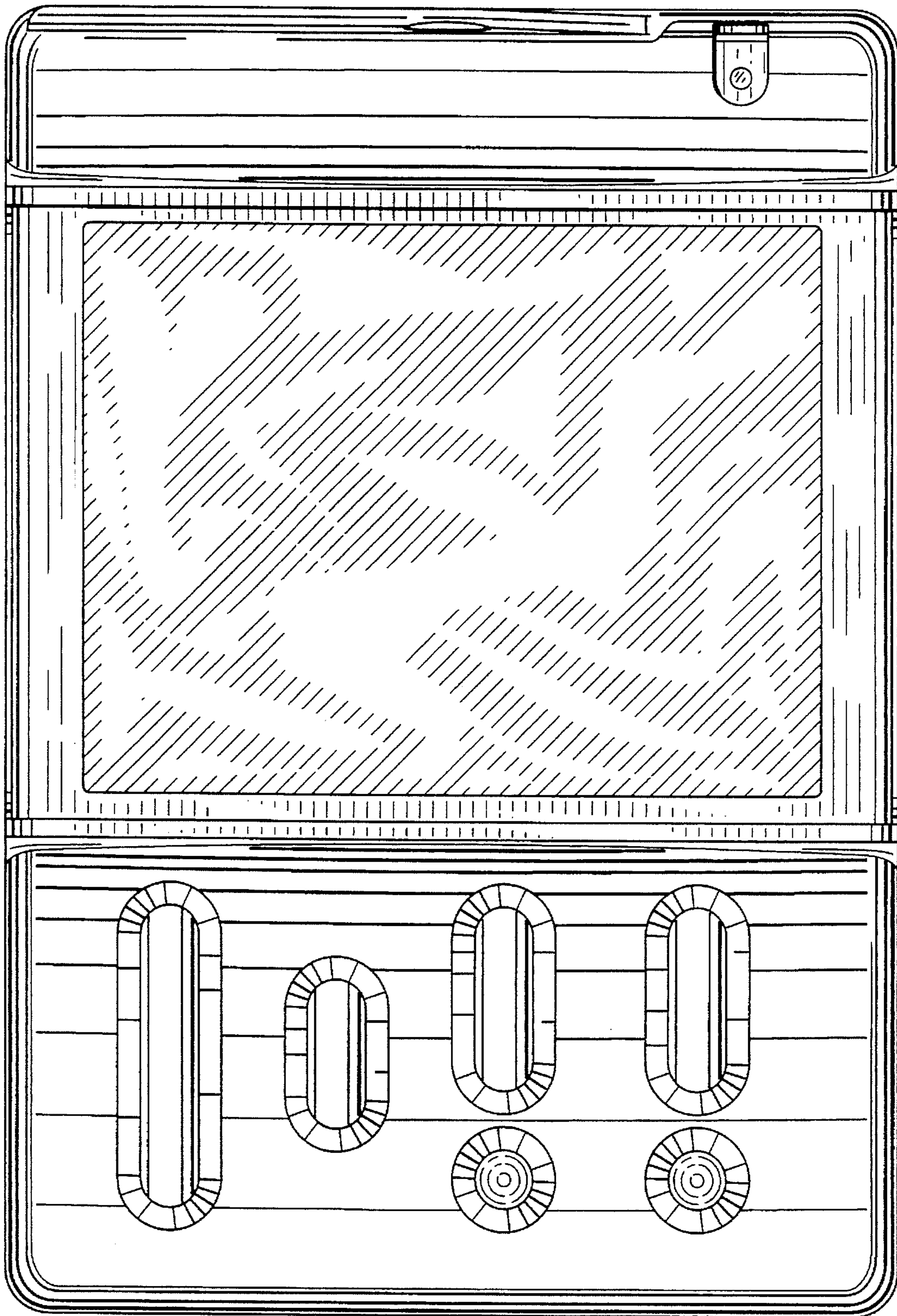


FIG. - 2

FIG. - 3

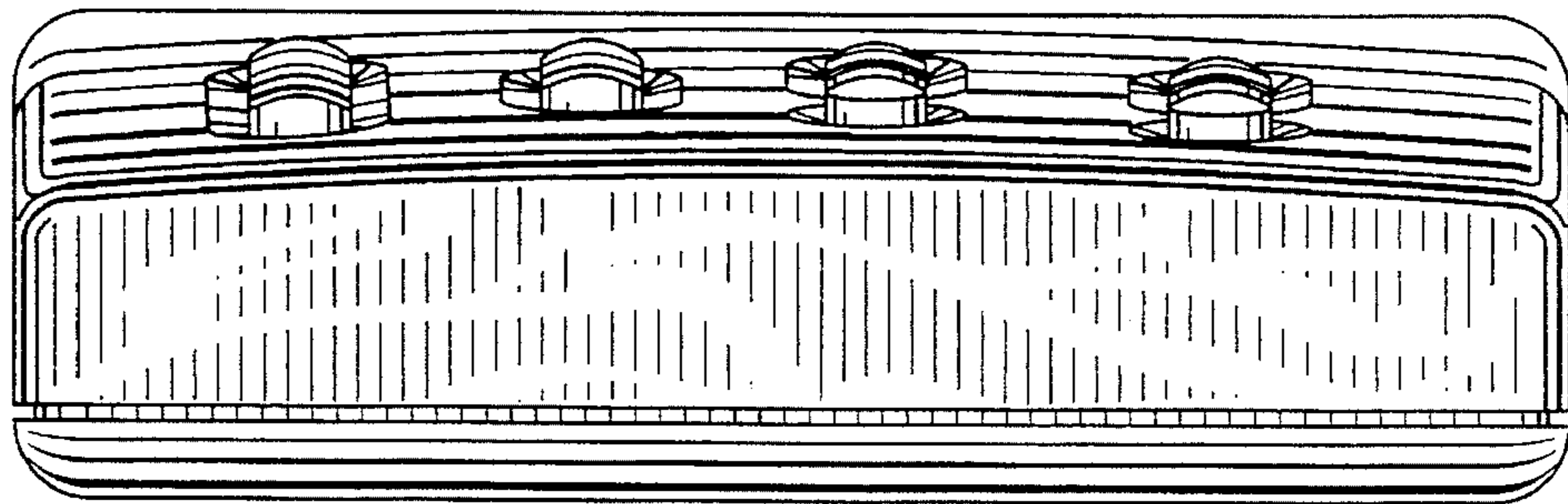
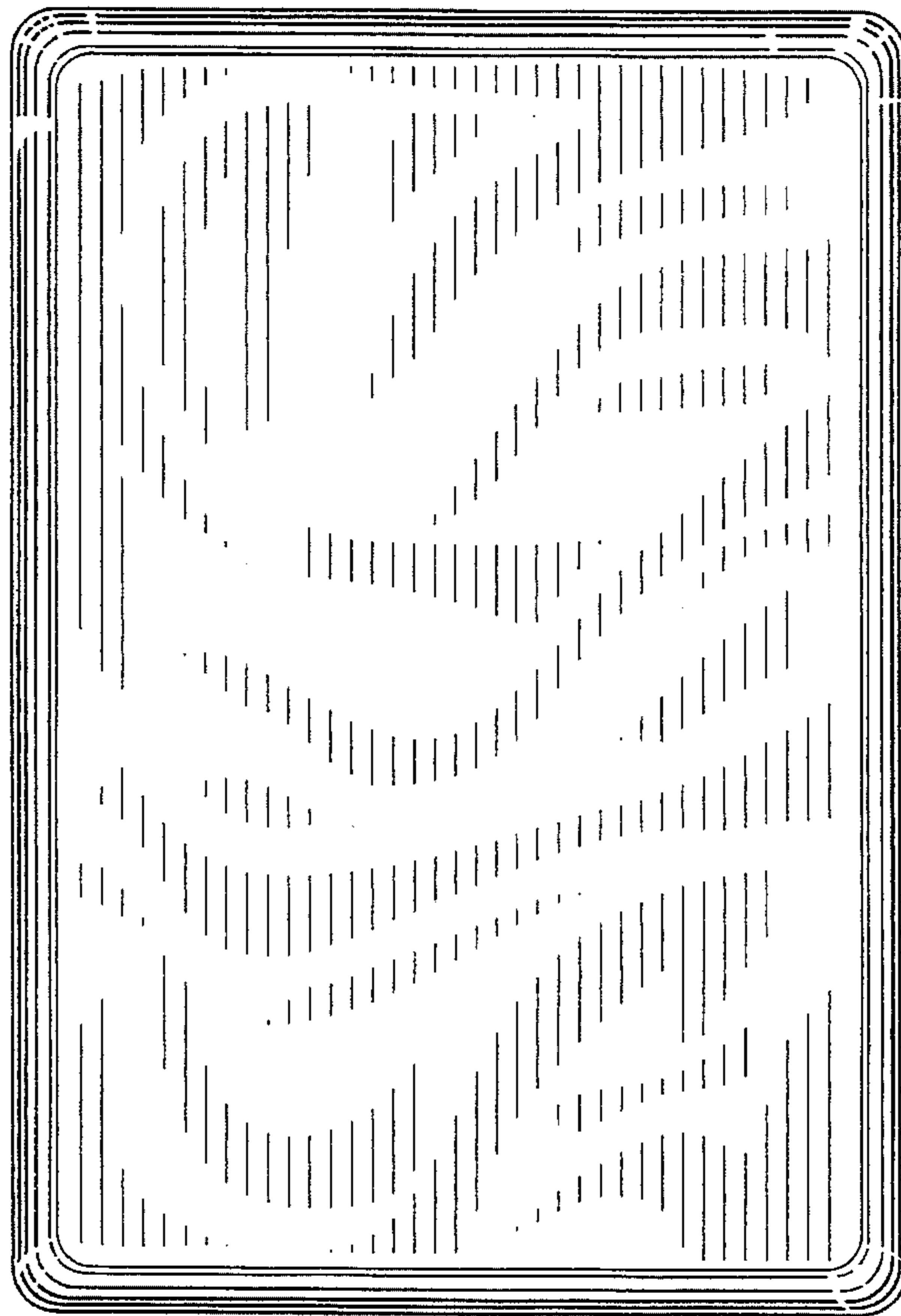


FIG. - 4

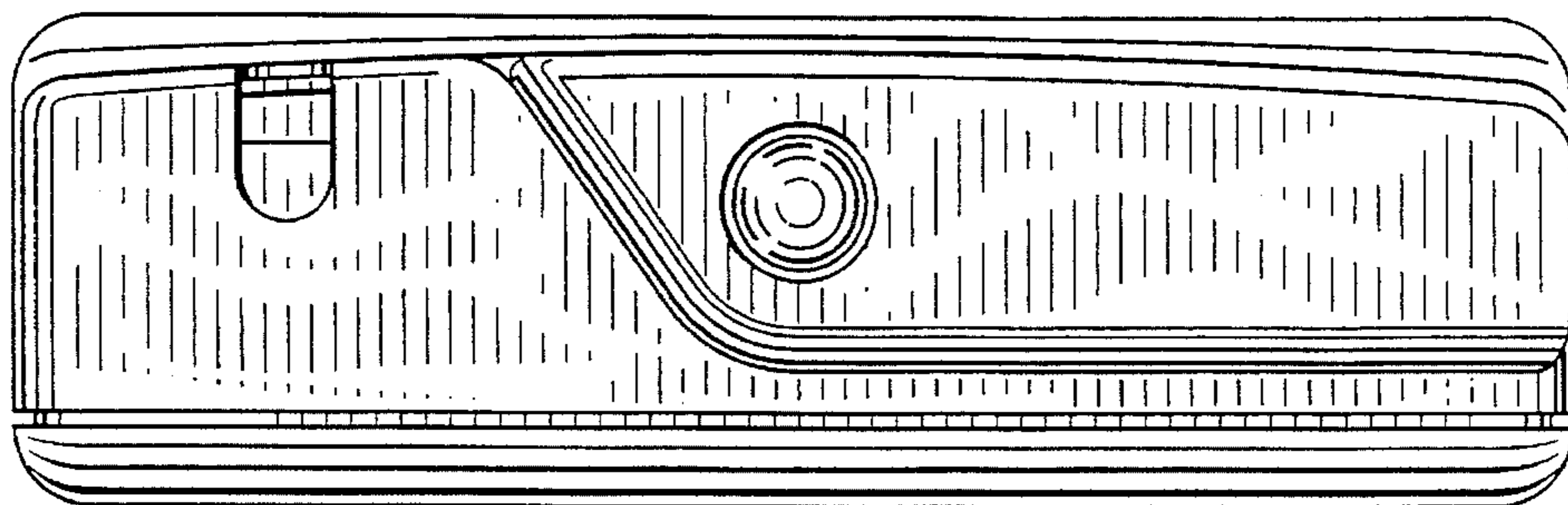


FIG. - 5

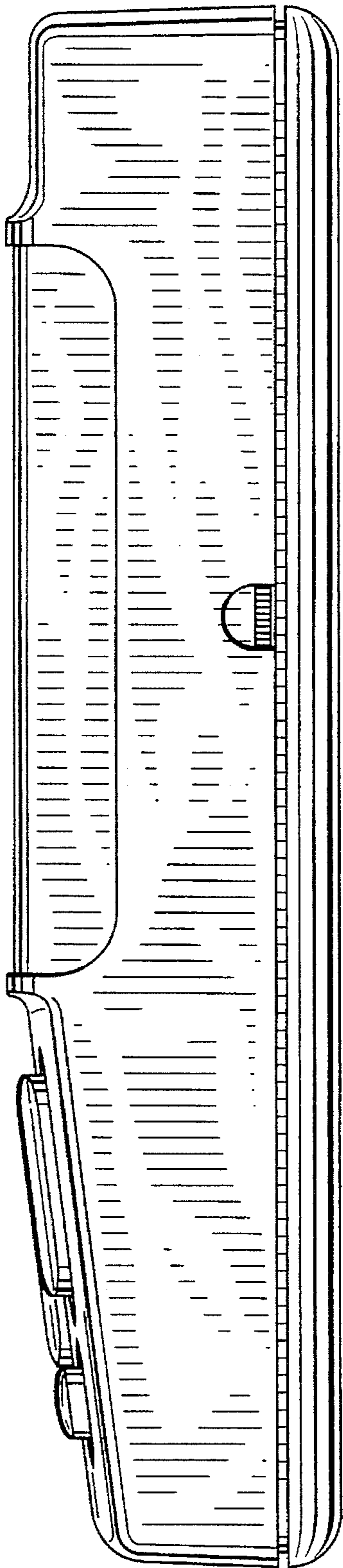


FIG. - 6

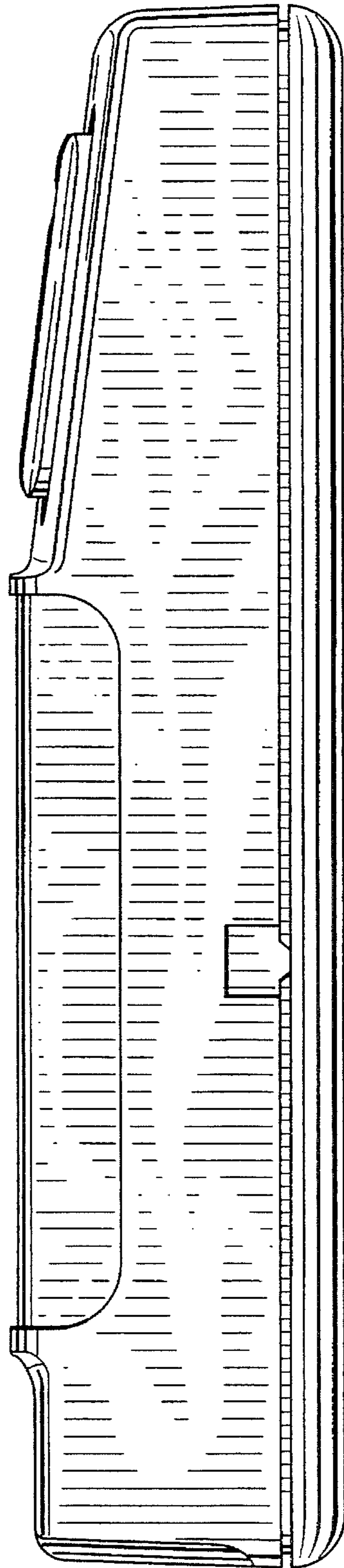


FIG. - 7

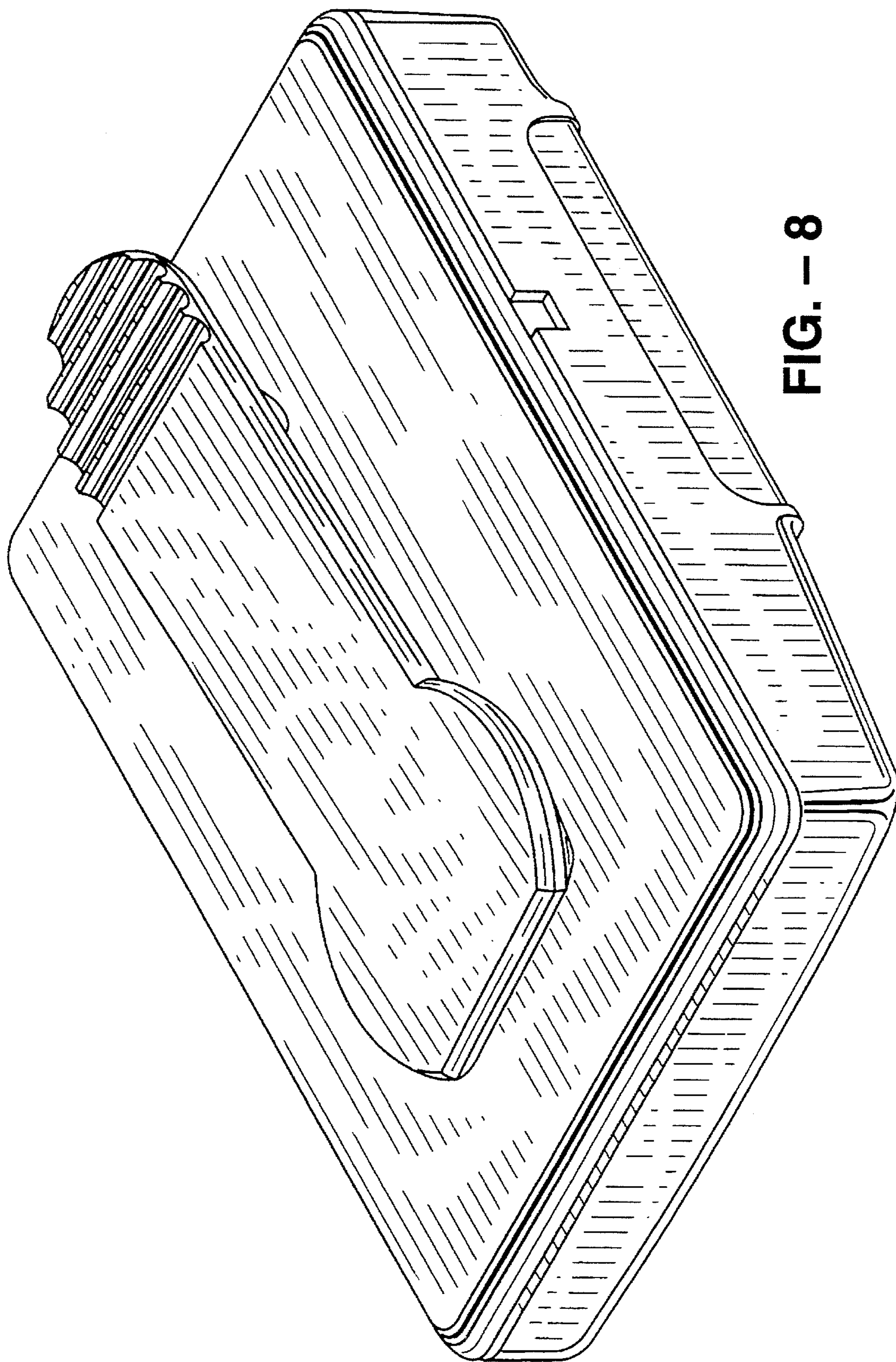


FIG. - 8