



US00D366208S

United States Patent [19]

[11] Patent Number: **Des. 366,208**

Merchlewitz

[45] Date of Patent: ****Jan. 16, 1996**

[54] **BACK SUPPORT BRACKET FOR BUTTERFLY CHAIRS**

5,154,531 10/1992 Peterson 403/403 X

FOREIGN PATENT DOCUMENTS

[75] Inventor: **Anthony W. Merchlewitz**, Fairbault, Minn.

457752 8/1968 Switzerland 297/56
8505543 12/1985 WIPO 297/56

[73] Assignee: **Lake Country Sales, Inc.**, Elysian, Minn.

Primary Examiner—Lucy Lieberman
Attorney, Agent, or Firm—Peterson, Wicks, Nemer & Kamrath

[**] Term: **14 Years**

[57] CLAIM

[21] Appl. No.: **20,135**

The ornamental design for a back support bracket for butterfly chairs, as shown and described.

[22] Filed: **Mar. 21, 1994**

[52] U.S. Cl. **D8/382; D6/491**

DESCRIPTION

[58] **Field of Search** D8/382; D6/491,
D6/368; 297/440.16, 440.15, 56; 403/403,
205, 382

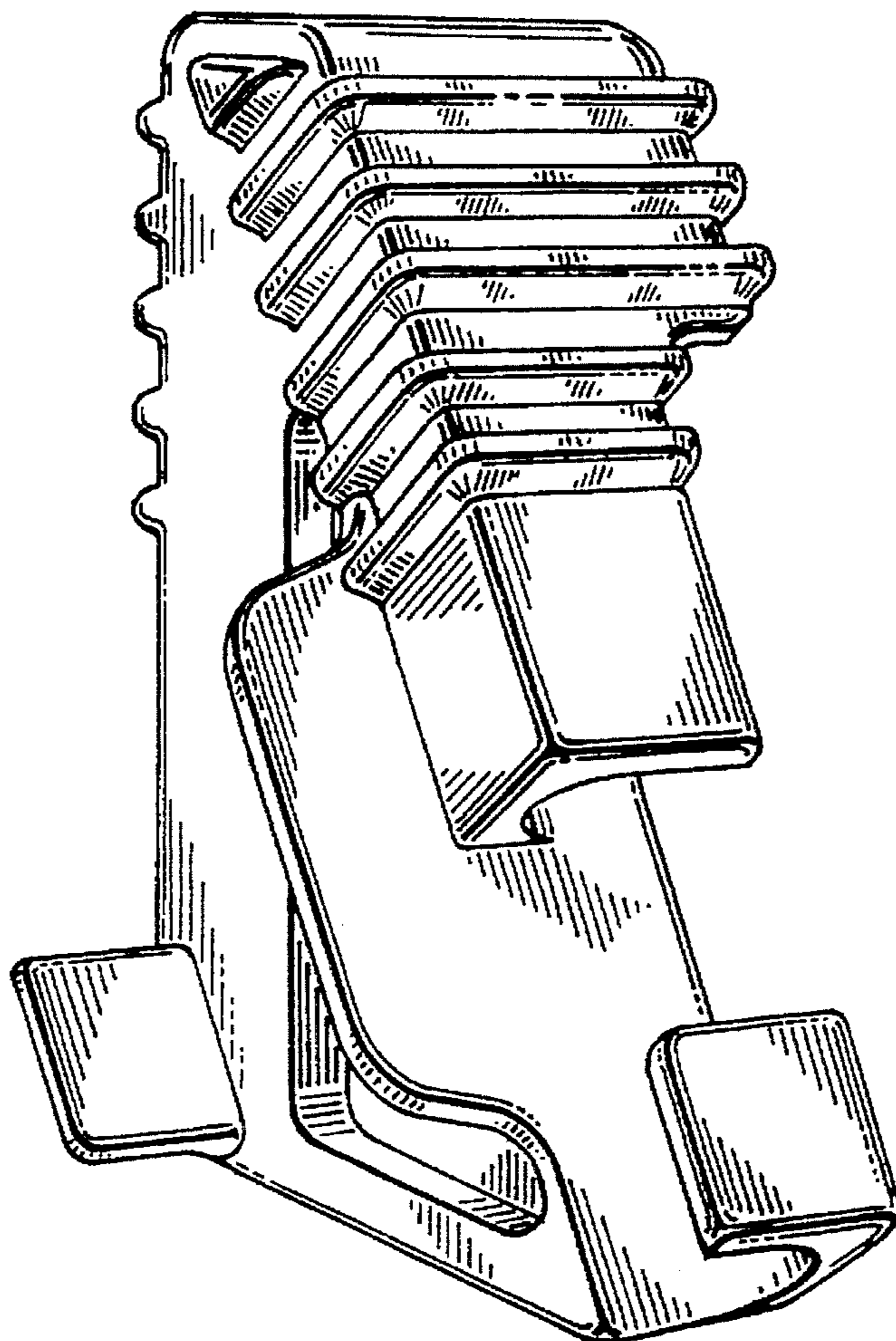
FIG. 1 is a front perspective view of a back support bracket for butterfly chairs embodying my new design;
FIG. 2 is a right end elevation thereof;
FIG. 3 is a rear elevation thereof;
FIG. 4 is a left end elevation thereof;
FIG. 5 is a front elevation thereof;
FIG. 6 is a top plan view thereof; and,
FIG. 7 is a bottom plan view thereof.

[56] References Cited

U.S. PATENT DOCUMENTS

D. 214,267 5/1969 Moore D6/368
D. 264,047 4/1982 Magner D8/382
D. 270,883 10/1983 Hultberg D8/382 X
2,131,219 9/1938 Cooper 297/440.15 X
4,702,638 10/1987 Zalesak 403/382 X

1 Claim, 2 Drawing Sheets



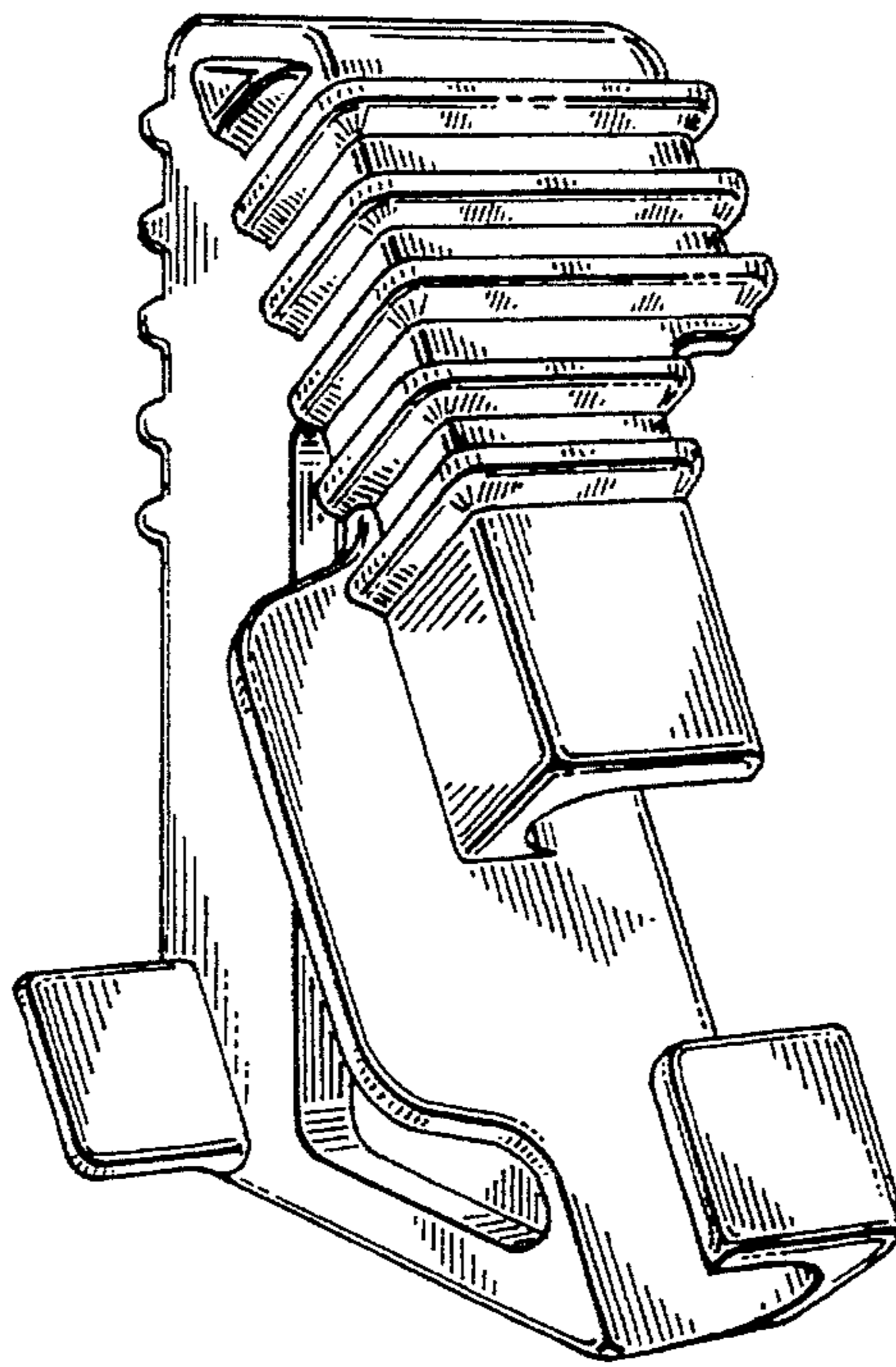


Fig 1

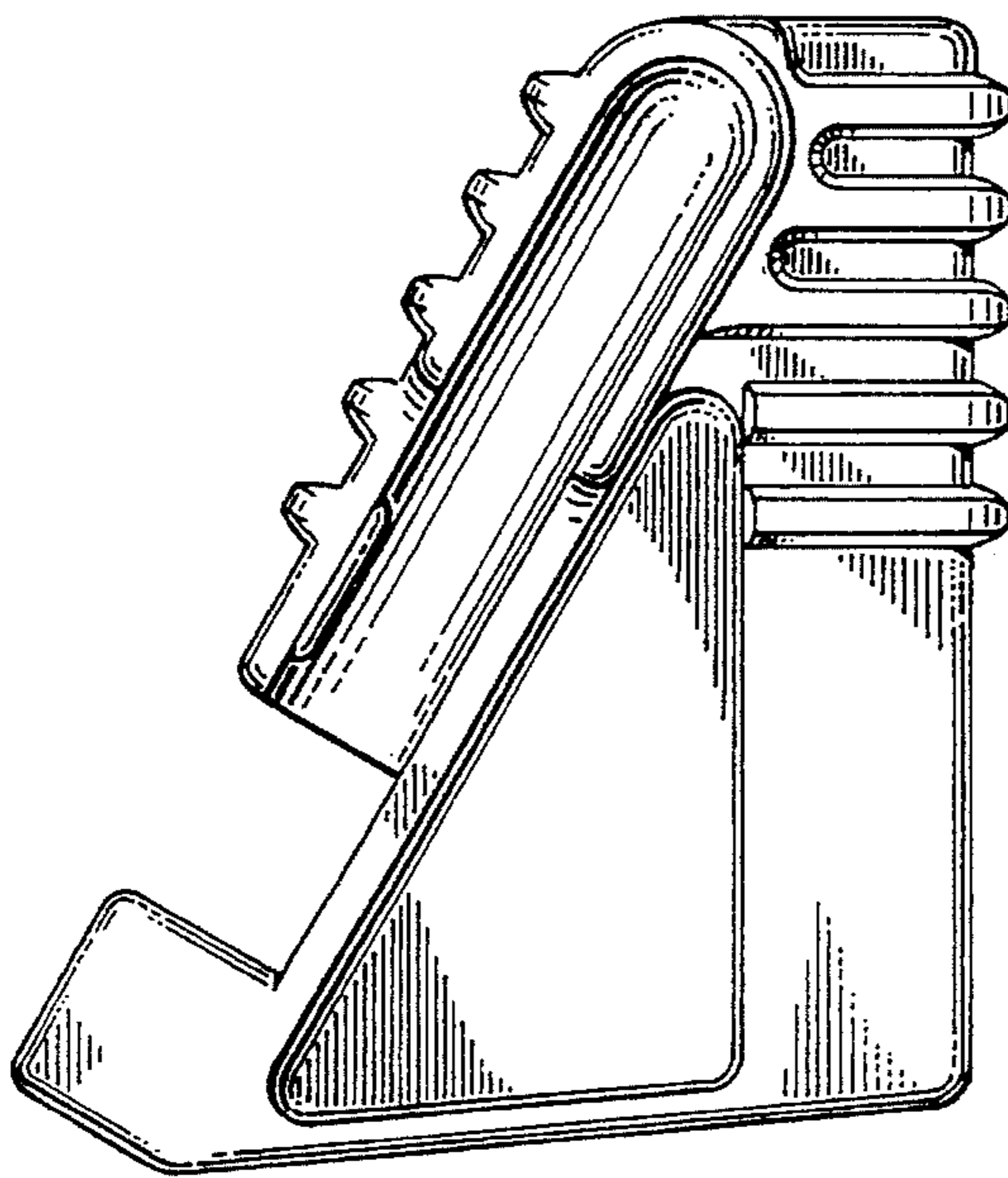


Fig 2

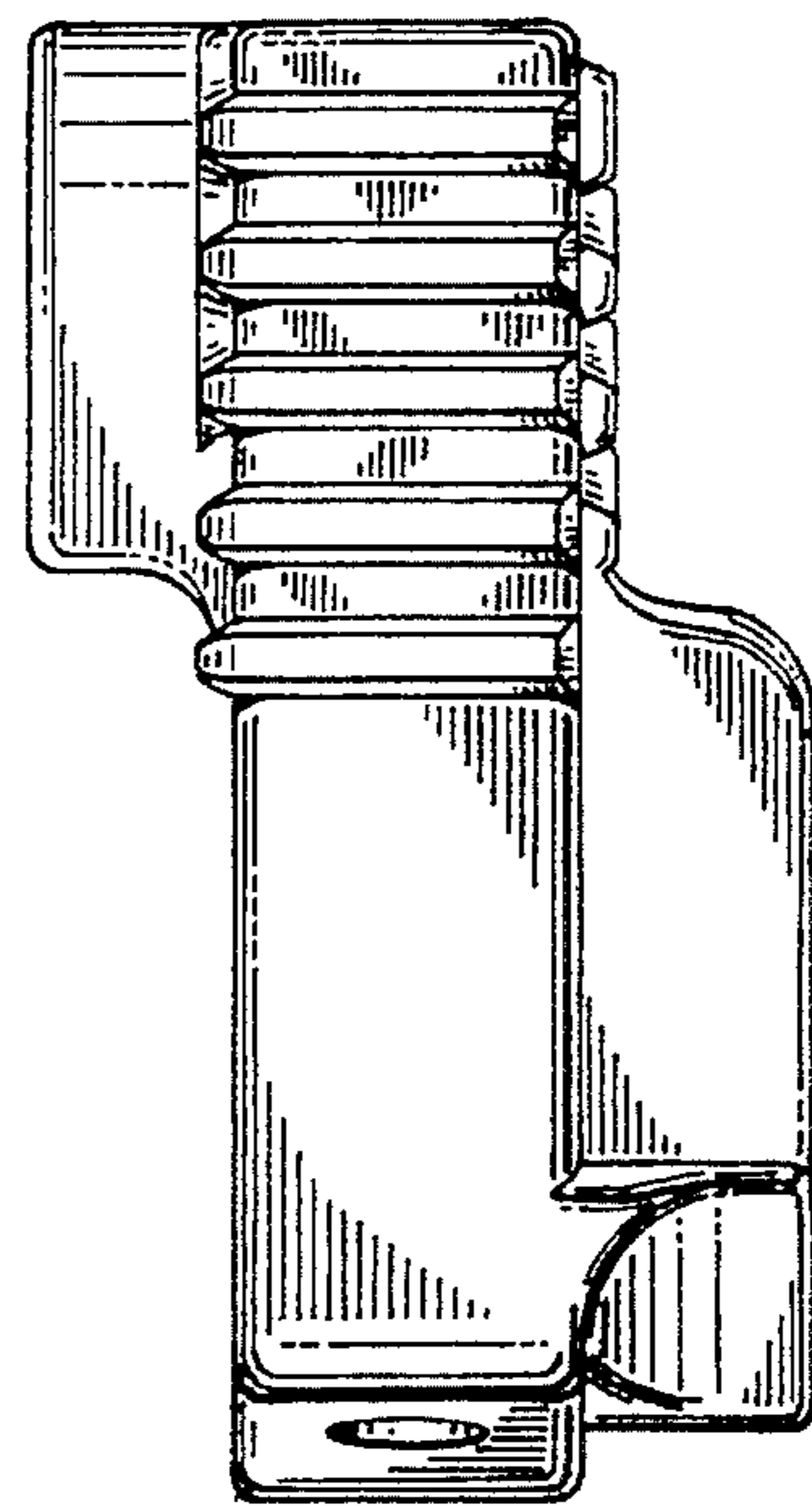


Fig 3

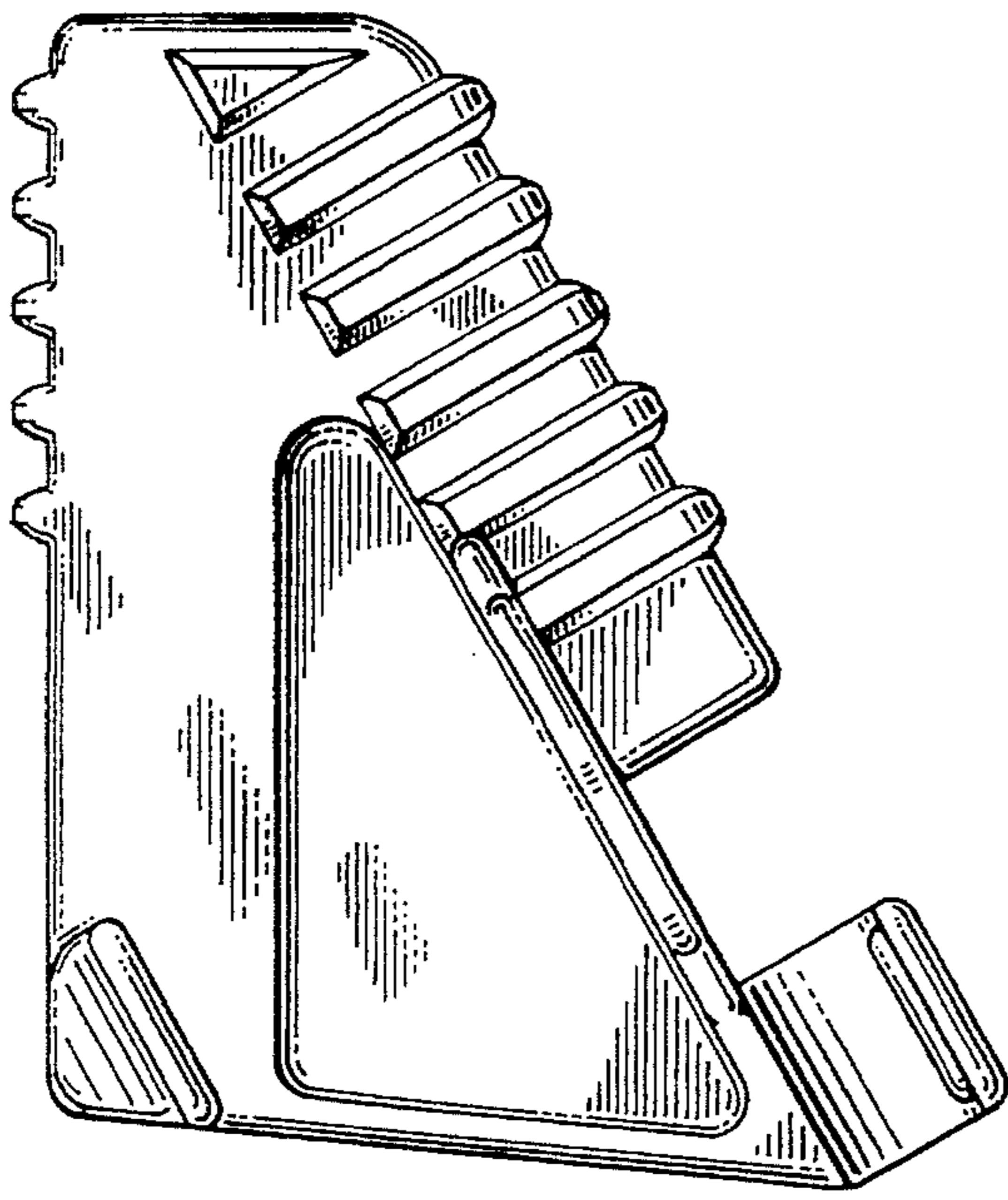


Fig 4

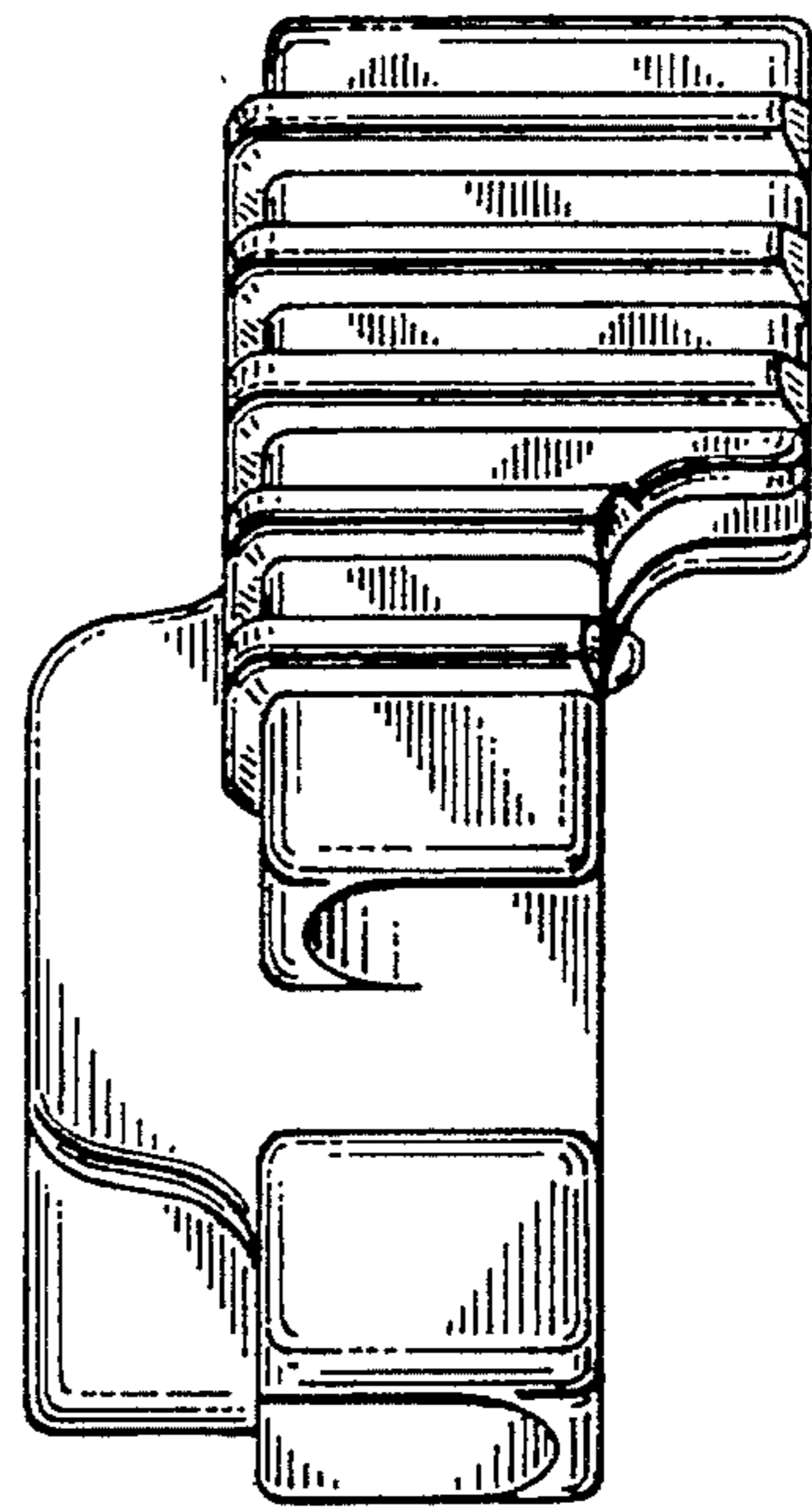


Fig 5

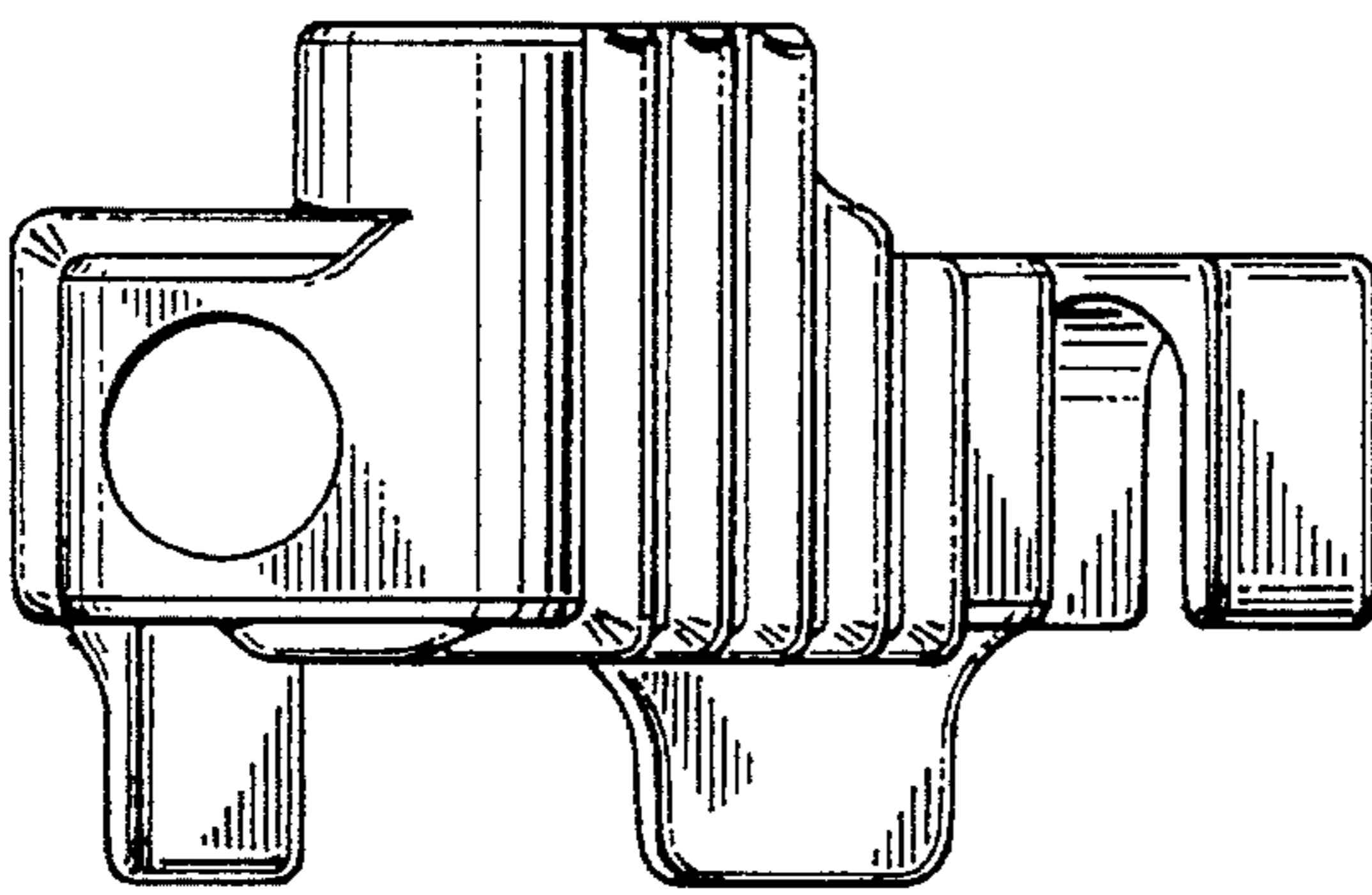


Fig 6

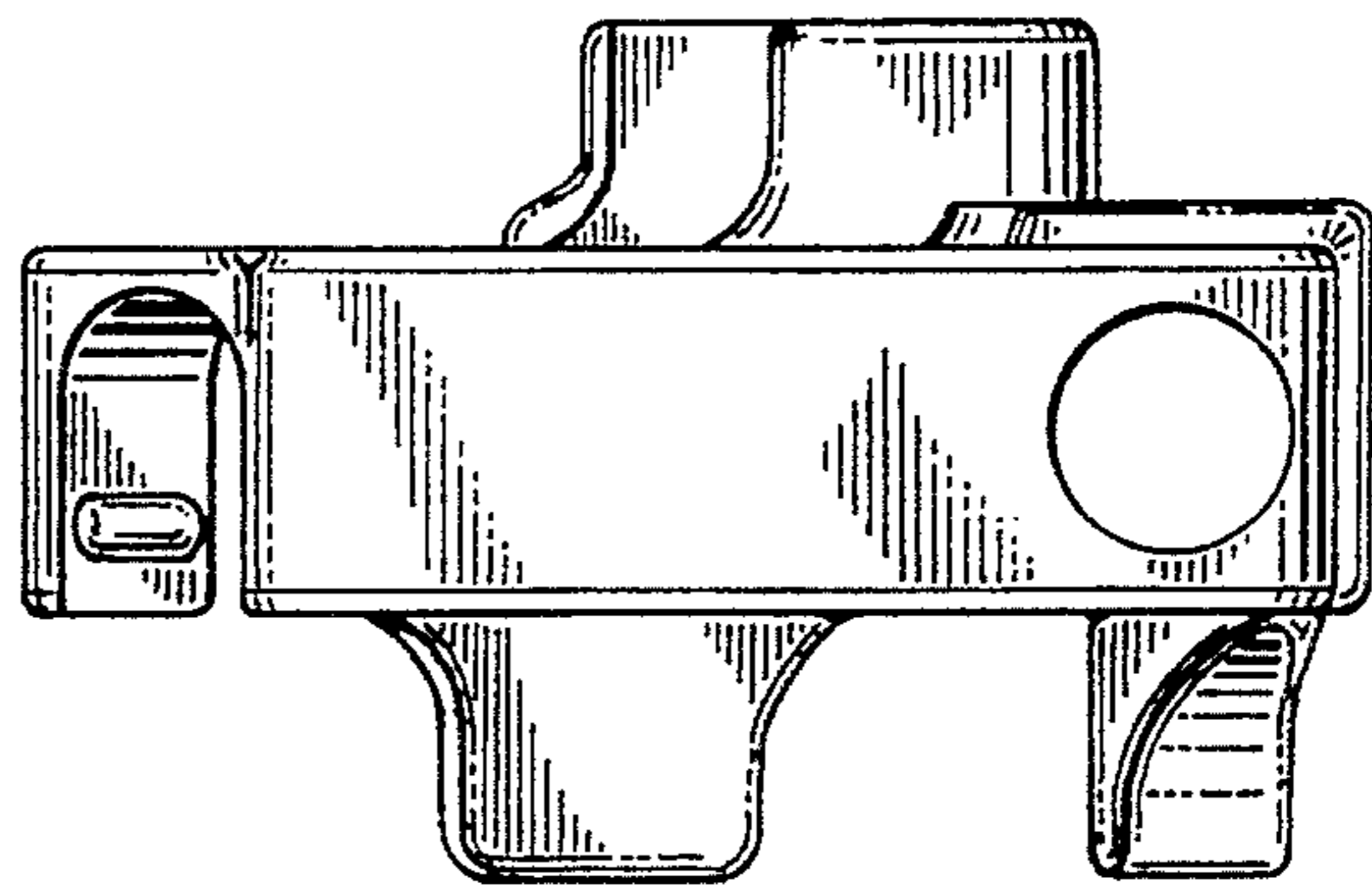


Fig 7