



US00D366205S

United States Patent [19]

[11] Patent Number: Des. 366,205

Arnett et al.

[45] Date of Patent: **Jan. 16, 1996

[54] FACE PLATE INCLUDING ICON DISPLAY UNIT(S)

[75] Inventors: Jaime R. Arnett, Fishers; W. John Denkmann, Cicero, both of Ind.

[73] Assignee: AT&T Corp., Murray Hill, N.J.

[**] Term: 14 Years

[21] Appl. No.: 30,431

[22] Filed: Oct. 11, 1994

[52] U.S. Cl. D8/353; D13/177

[58] Field of Search D8/350, 353; D13/156, D13/177; 174/66; 220/241

[56] References Cited

U.S. PATENT DOCUMENTS

1,720,463	7/1929	Both	174/66	X
1,726,429	8/1929	Ferris	176/664	R
1,726,430	8/1929	Ferris	176/664	R
2,043,865	6/1936	Place	174/66	
2,740,873	4/1956	Cronk	174/664	X

Primary Examiner—Prabhakar G. Deshmukh

Assistant Examiner—Paula Mortimer

Attorney, Agent, or Firm—Thomas Stafford

[57] CLAIM

The ornamental design of a face plate including icon display unit(s), as shown and described.

DESCRIPTION

FIG. 1 is a front top and right perspective view of a face plate

including icon display units showing a first embodiment of our new design;

FIG. 2 is a front elevation view thereof;

FIG. 3 is a bottom plan view thereof;

FIG. 4 is a top plan view thereof;

FIG. 5 is a rear elevation view thereof;

FIG. 6 is a right side elevation view thereof;

FIG. 7 is a front elevation plan view of a face plate including an icon display unit showing a second embodiment of our new design;

FIG. 8 is a front elevation plan view of a face plate including icon display units showing a third embodiment of our new design;

FIG. 9 is a front elevation plan view of a face plate including icon display units showing a fourth embodiment of our new design; and,

FIG. 10 is a front elevation plan view of a face plate including icon display units showing a fifth embodiment of our new design.

The top, bottom, and side views of the embodiments of FIGS. 7, 8, 9, and 10 are essentially the same as the embodiment of FIG. 1. The only difference being the number of icon display units.

1 Claim, 4 Drawing Sheets

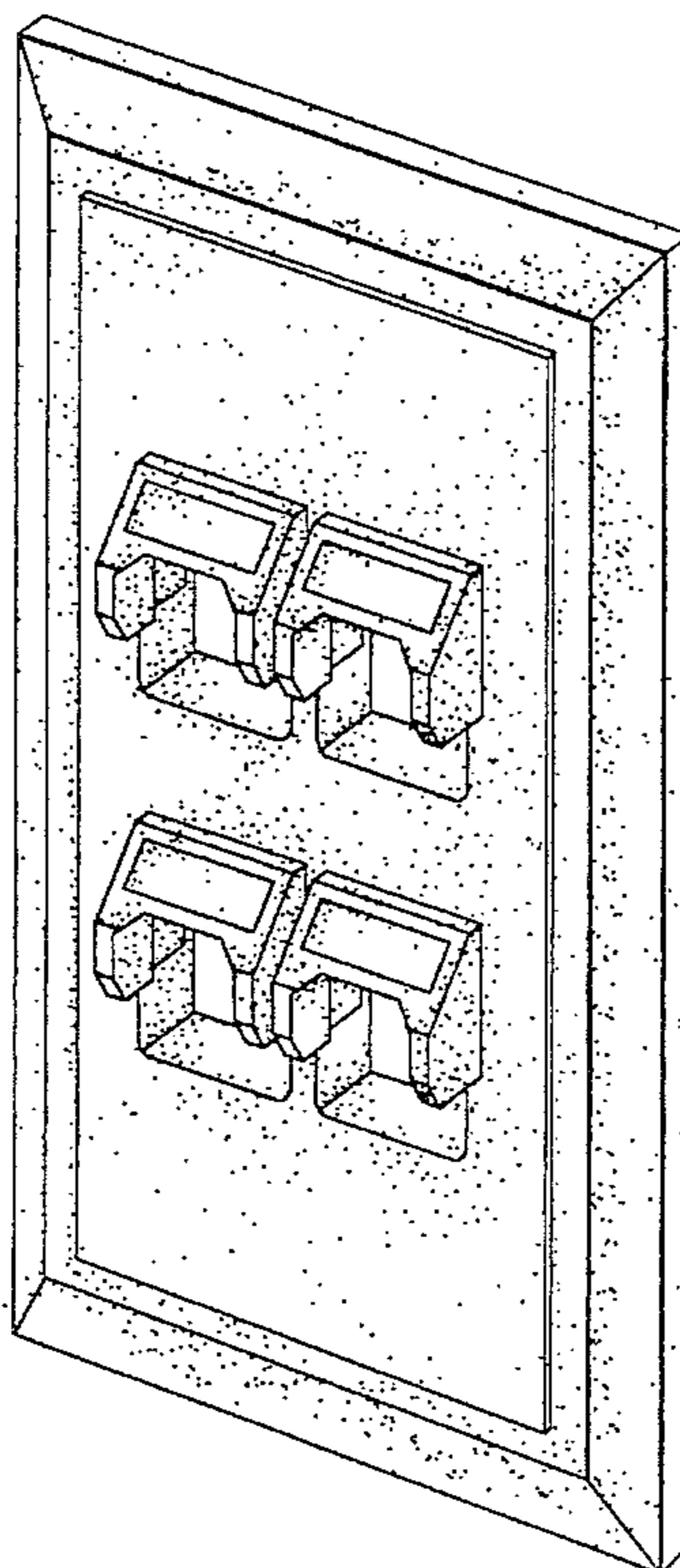


FIG. 1

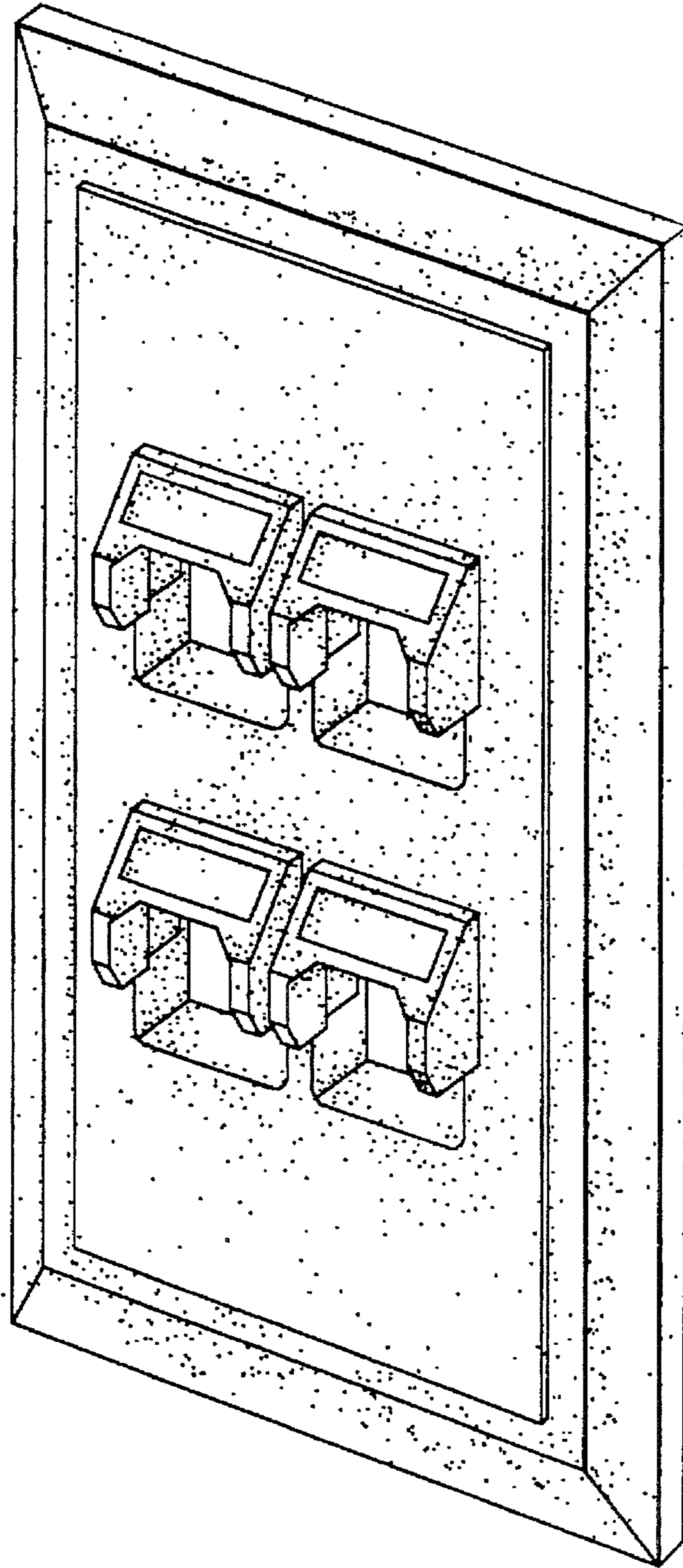


FIG. 2

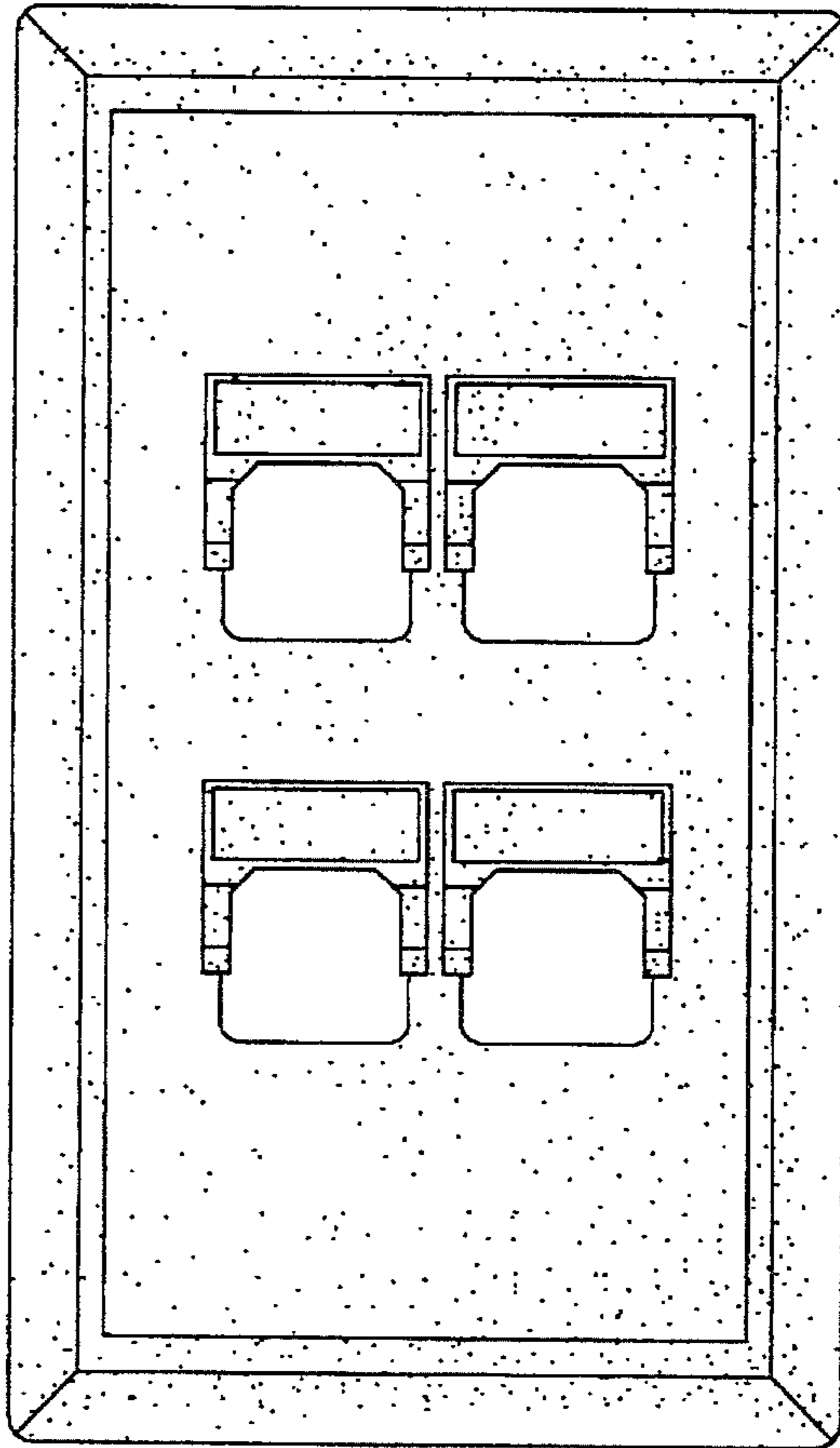


FIG. 3

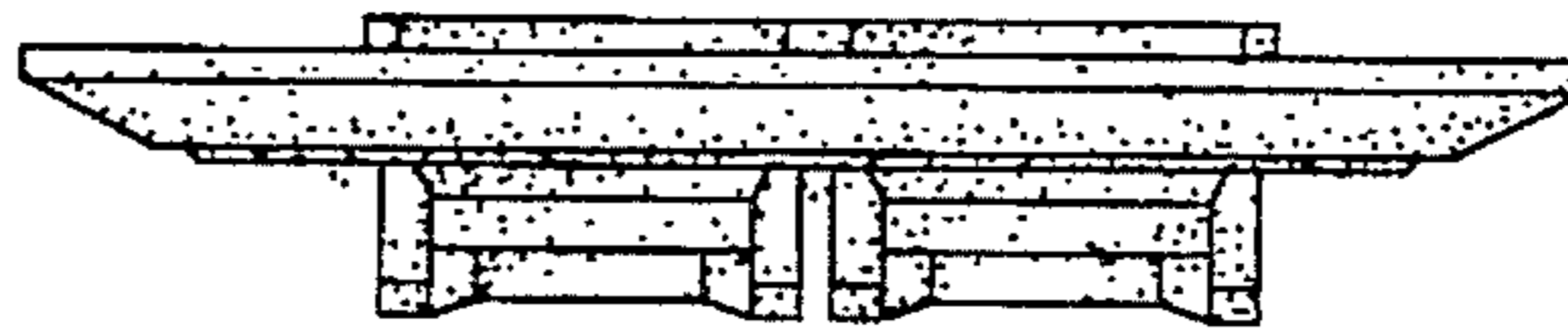


FIG. 4

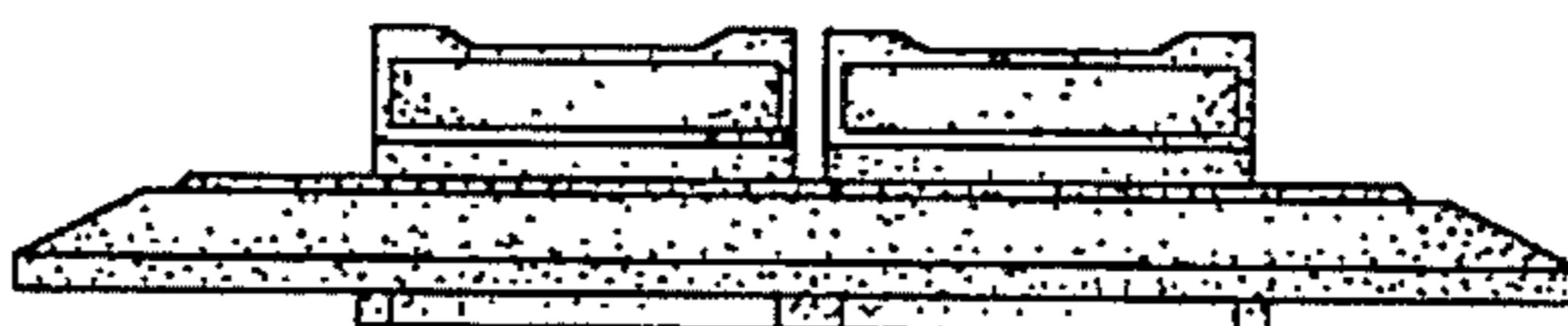


FIG. 5

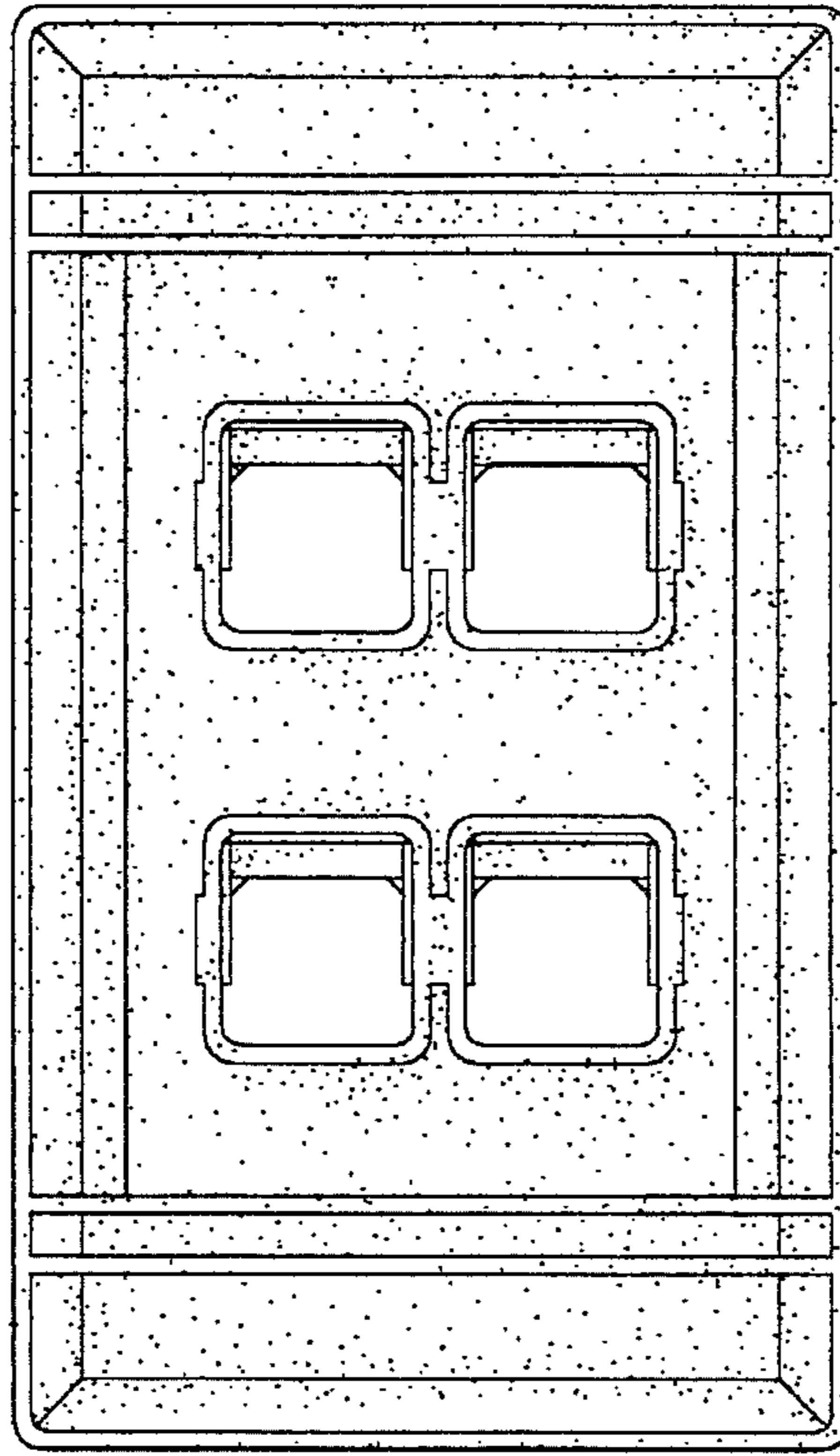


FIG. 6

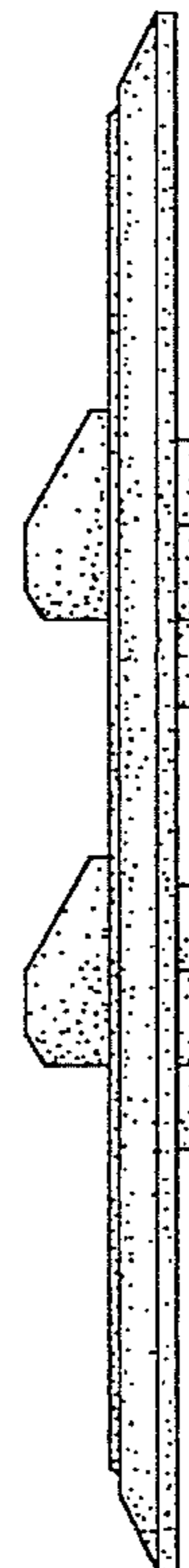


FIG. 7

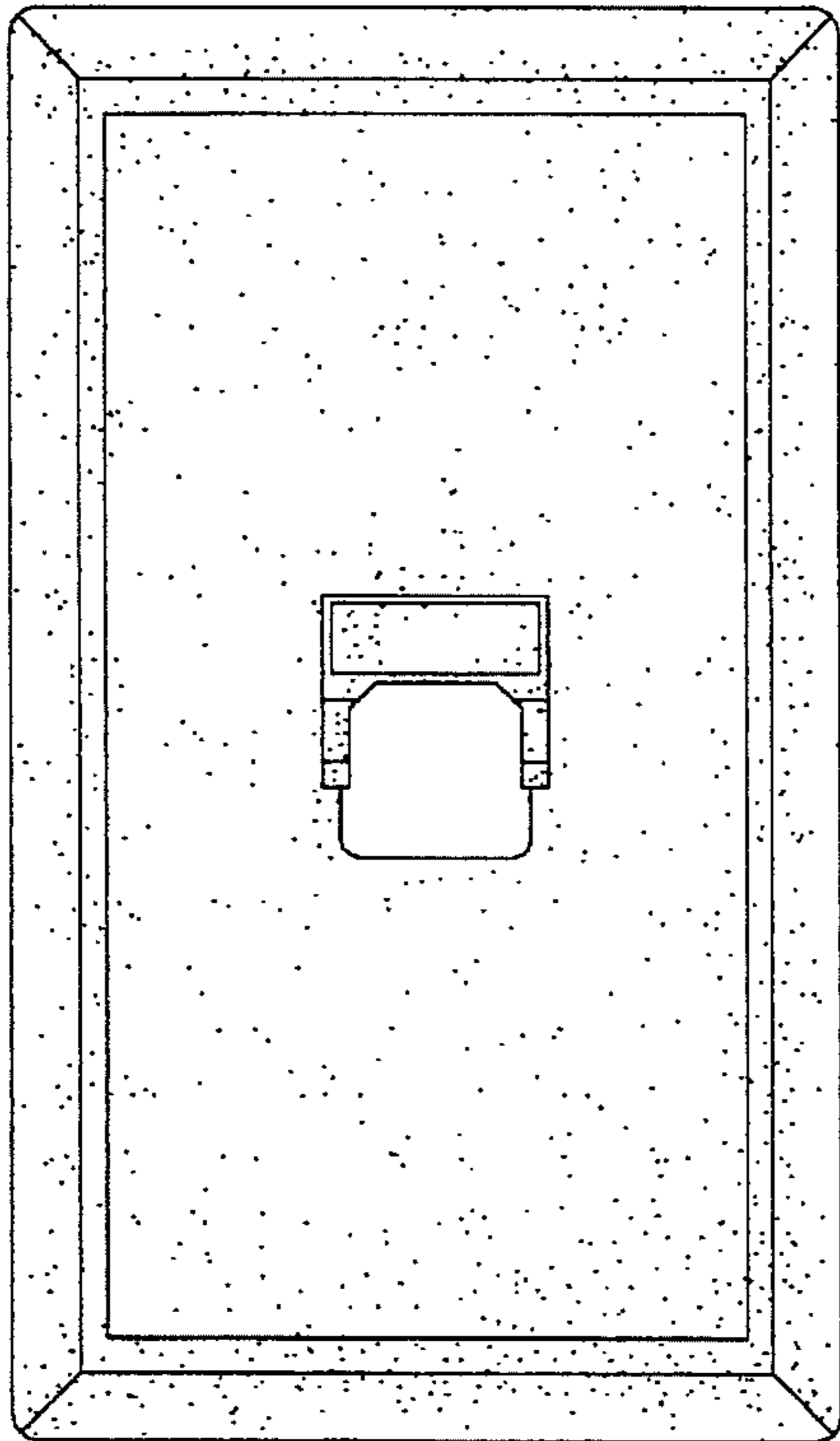


FIG. 8

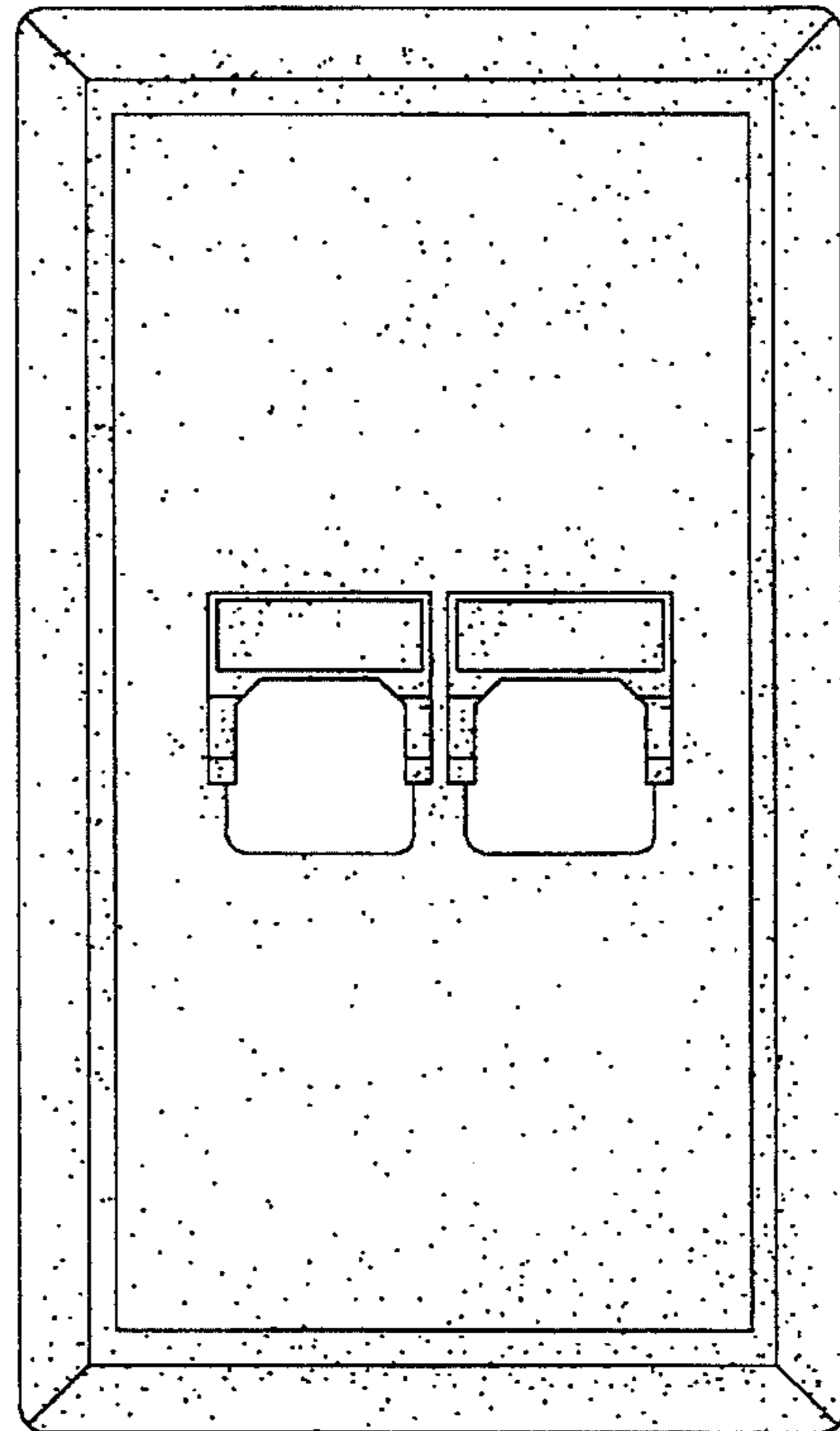


FIG. 9

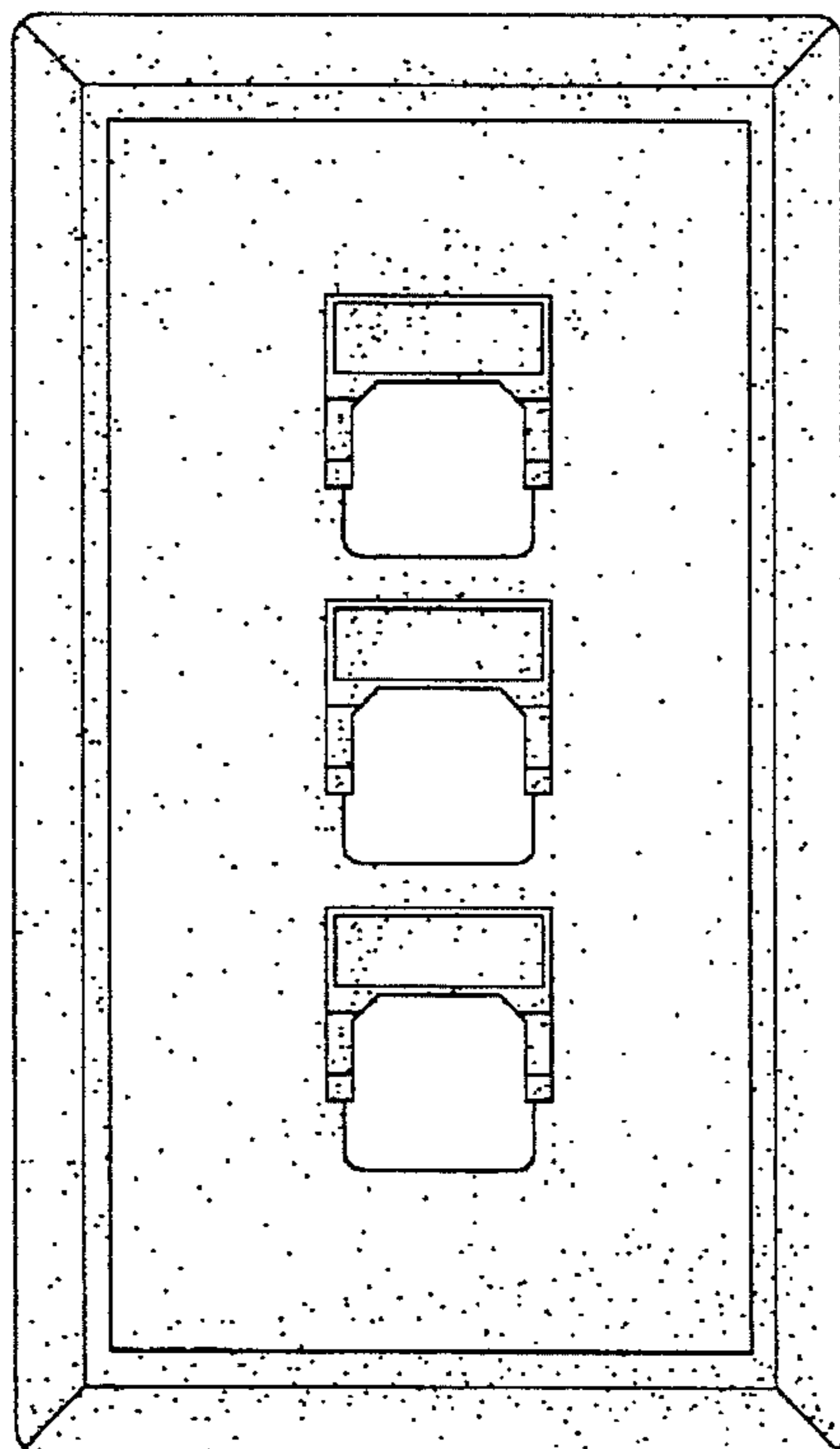


FIG. 10

