



US00D366203S

United States Patent [19]
Murphy

[11] **Patent Number: Des. 366,203**
[45] **Date of Patent: **Jan. 16, 1996**

[54] **DEVICE FOR LOCKING GOLF CLUBS**

[76] Inventor: **Thomas Murphy**, 113 Elm St.,
Stoneham, Mass. 02180

[**] Term: **14 Years**

[21] Appl. No.: **33,405**

[22] Filed: **Jan. 12, 1995**

[52] U.S. Cl. **D8/333; D8/331; D8/346**

[58] **Field of Search** **D8/330, 331, 333,**
D8/346; 206/315.2, 325.3, 325.4, 325.6;
70/14, 19, 57-58, 59

[56] **References Cited**

U.S. PATENT DOCUMENTS

D. 336,603	6/1993	Penafior	D8/333 X
4,538,728	9/1985	Lewis	206/315.3
4,767,001	8/1988	Kim	206/315.3
4,863,019	9/1989	Lewis et al.	70/19 X
5,004,100	4/1991	Smith	70/19 X

Primary Examiner—Brian N. Vinson
Attorney, Agent, or Firm—Gary Lambert

[57] **CLAIM**

The ornamental design for a device for golf clubs, as shown and descibed.

DESCRIPTION

FIG. 1 is a top, front, and right side perspective view of a device for locking golf clubs showing my new design, the broken-line disclosure of a portion of a golf bag and clubs being for illustrative purposes only and forming no part of the claimed design;

FIG. 2 is a front elevational view thereof, the rear being a mirror image of that shown;

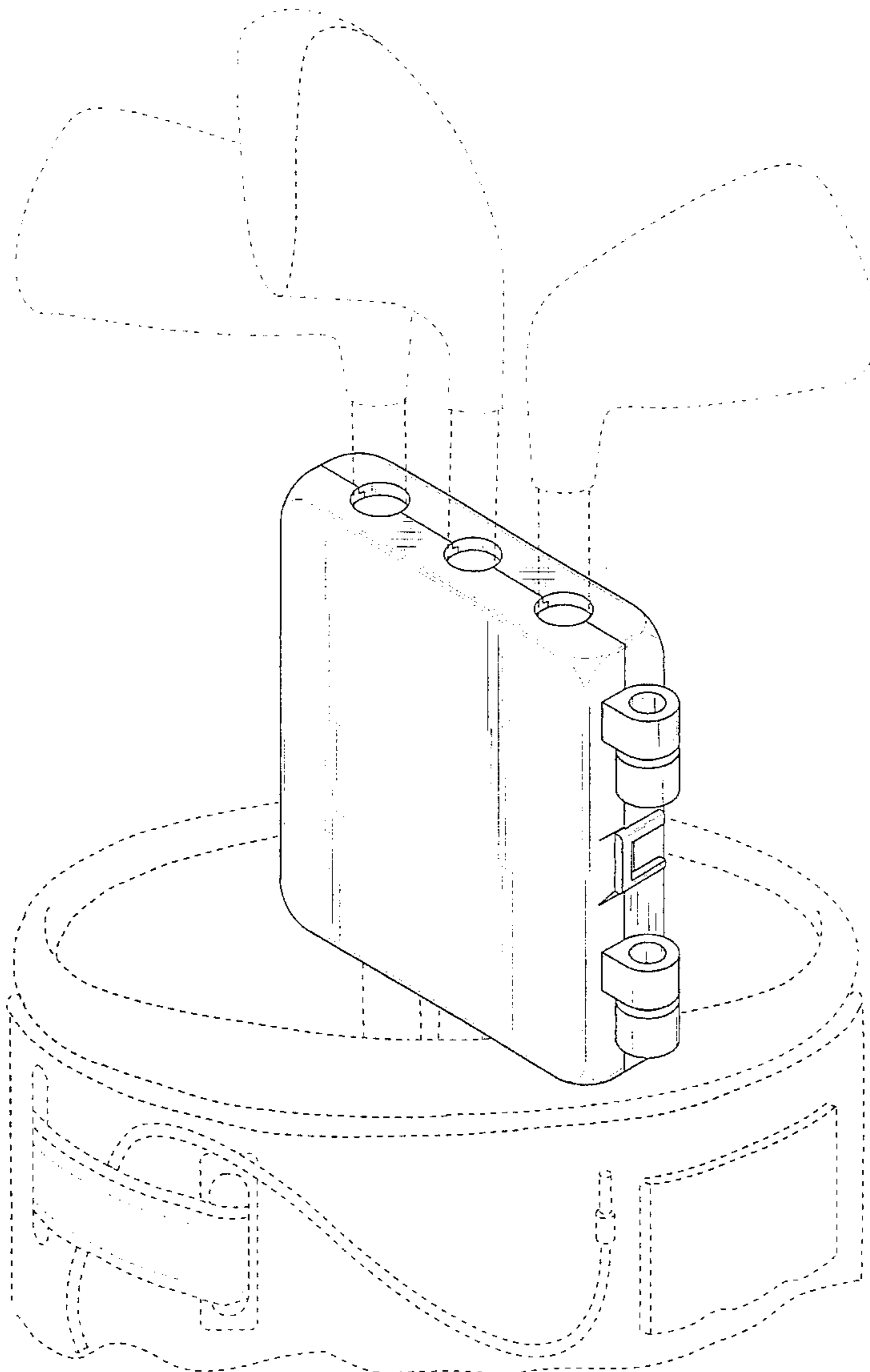
FIG. 3 is a right side elevational view thereof;

FIG. 4 is a left side elevational view thereof;

FIG. 5 is a top plan view thereof; and,

FIG. 6 is a bottom plan view thereof.

1 Claim, 2 Drawing Sheets



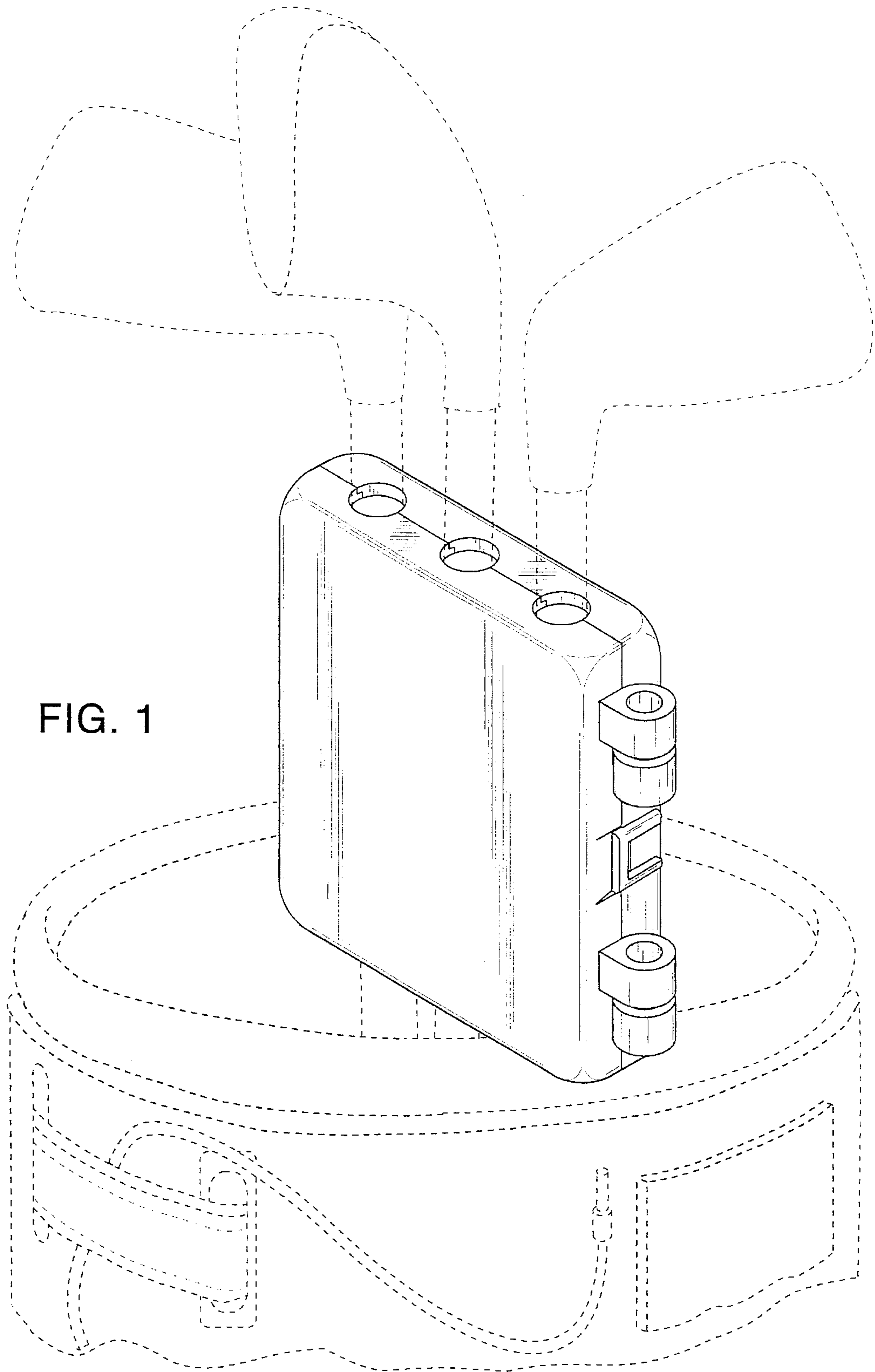


FIG. 1

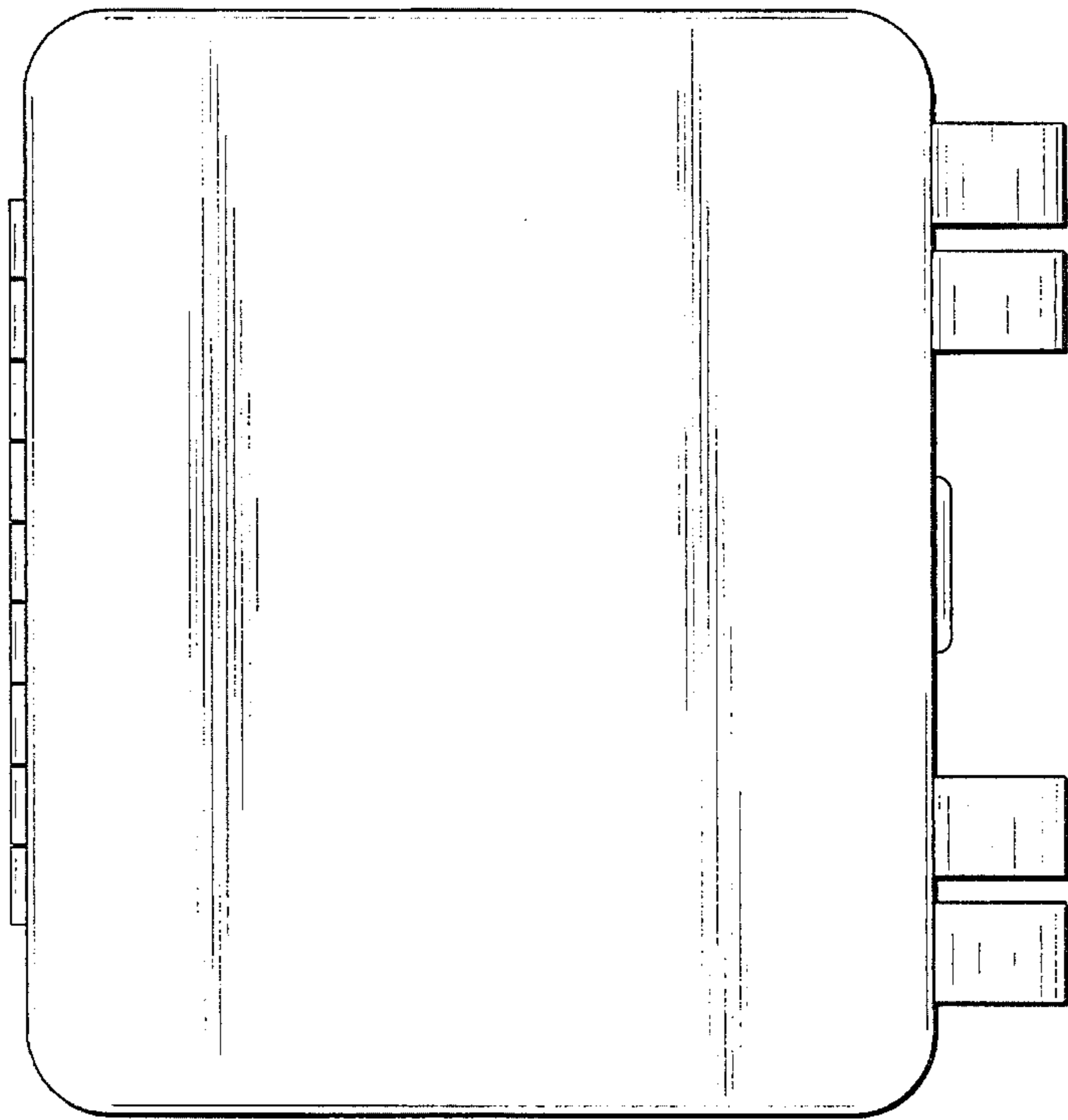


FIG. 2

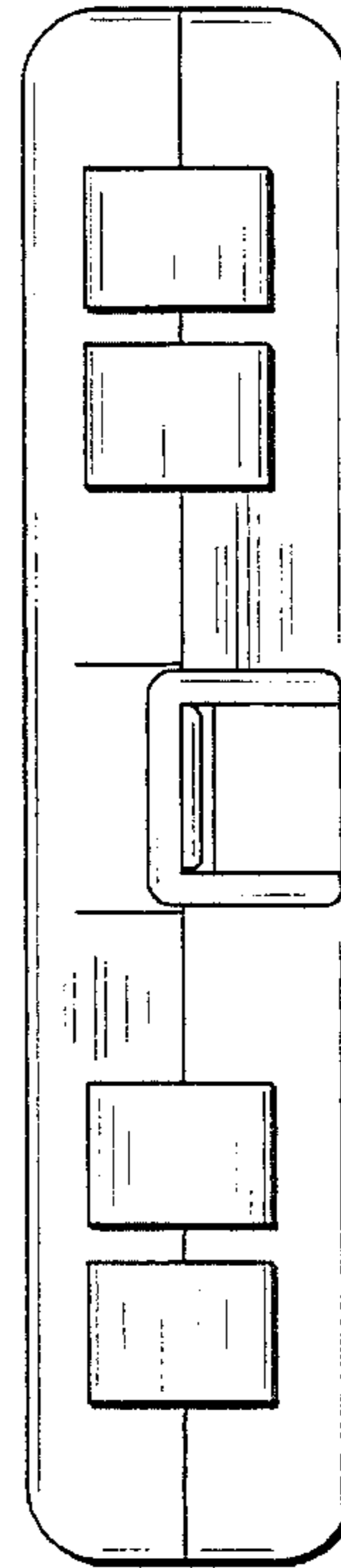


FIG. 3

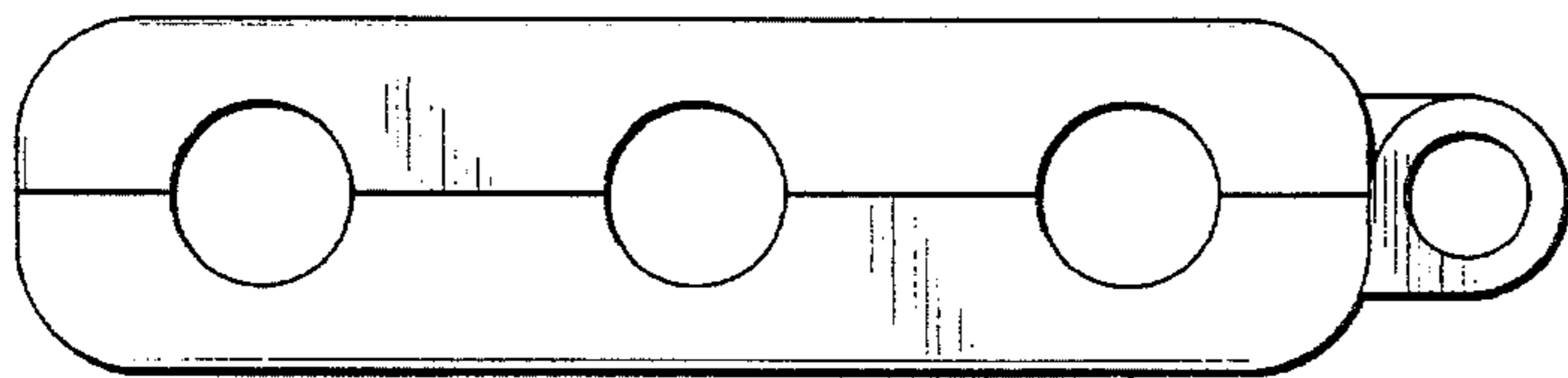


FIG. 5

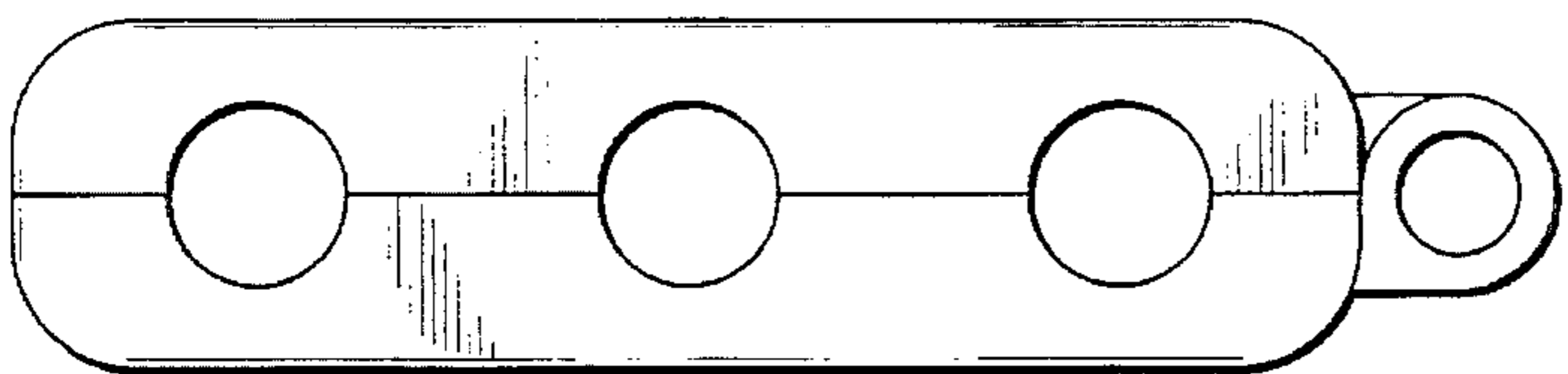


FIG. 6

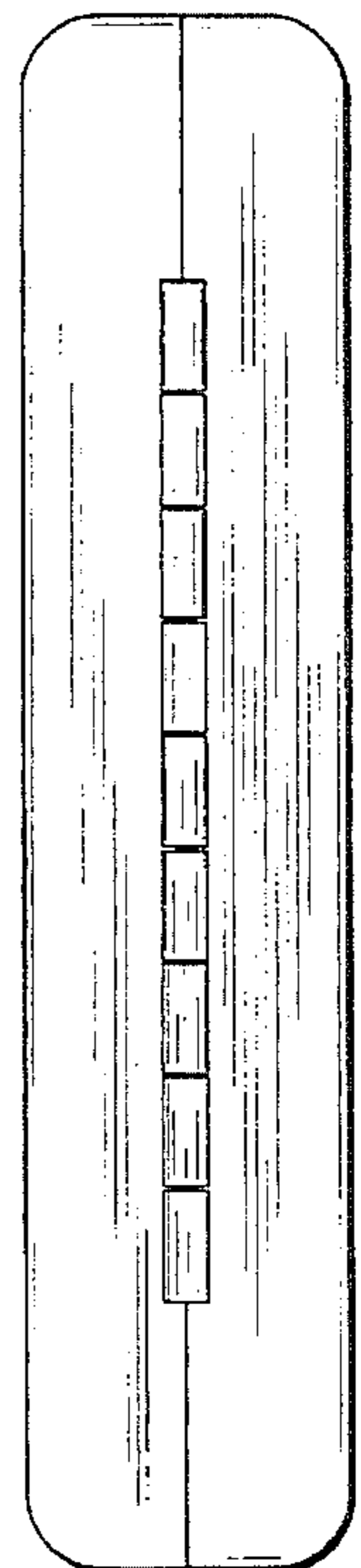


FIG. 4