



US00D366200S

United States Patent [19]
Di Vittorio

[11] **Patent Number: Des. 366,200**

[45] **Date of Patent: **Jan. 16, 1996**

[54] **COMBINED TOOL HANDLE AND TOOL HANDLE WEDGE**

[75] Inventor: **Ciro Di Vittorio**, Fremont, Calif.

[73] Assignee: **James V. Matteucci**, Campbell, Calif.;
a part interest

[**] Term: **14 Years**

[21] Appl. No.: **878,895**

[22] Filed: **May 6, 1992**

Related U.S. Application Data

[63] Continuation-in-part of Ser. No. 668,178, Mar. 12, 1991,
Pat. No. 5,152,629.

[52] **U.S. Cl.** **D8/107; D8/80**

[58] **Field of Search** **D8/107, 14, 80;**
81/22, 489, 20; 403/248, 249, 25, 251,
277; 16/116 R

[56] **References Cited**

U.S. PATENT DOCUMENTS

727,042	5/1903	Weston	403/250
964,976	7/1910	Kukuruda	403/250
2,005,353	6/1935	Spezzano	403/249
2,034,080	3/1936	Bitzenburger	403/249
2,340,248	1/1944	Lind	403/249
2,433,974	1/1948	Antel	D8/80
3,172,708	3/1965	Reuterfors	81/20
3,669,512	6/1972	Parks	403/248
4,144,919	3/1979	Miller	81/20
4,188,703	2/1980	Fish	81/22

Primary Examiner—Ted Shooman

Assistant Examiner—Philip Hyder

Attorney, Agent, or Firm—Oblon, Spivak, McClelland,
Maier, & Neustadt

[57] **CLAIM**

The ornamental design for a combined tool handle and tool handle wedge, as shown and described.

DESCRIPTION

FIG. 1 is a top and right front perspective view of a combined tool handle and tool handle wedge showing my new design;

FIG. 2 is a front elevational view thereof, the rear view being a mirror image of that shown;

FIG. 3 is a right side view thereof shown fragmentarily for ease of illustration, the left side view being a mirror image of that shown;

FIG. 4 is a top plan view thereof;

FIG. 5 is a bottom plan view thereof;

FIG. 6 is a top, right and front perspective view of a modified embodiment thereof, shown fragmentarily for ease of illustration;

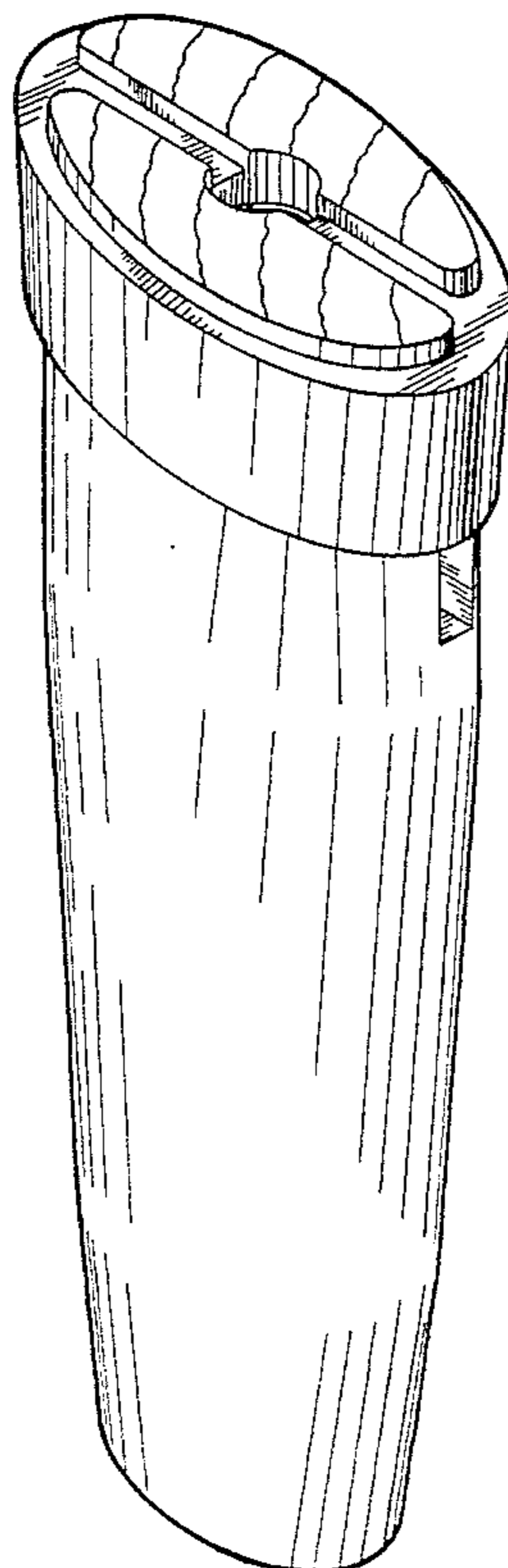
FIG. 7 is a front elevational view of FIG. 6 shown fragmentarily for ease of illustration, the rear view being a mirror image of that shown;

FIG. 8 is a right side view of FIG. 6 shown fragmentarily for ease of illustration, the left side view being a mirror image of that shown;

FIG. 9 is a top plan view of FIG. 6; and,

FIG. 10 is a bottom plan view of FIG. 6.

1 Claim, 4 Drawing Sheets



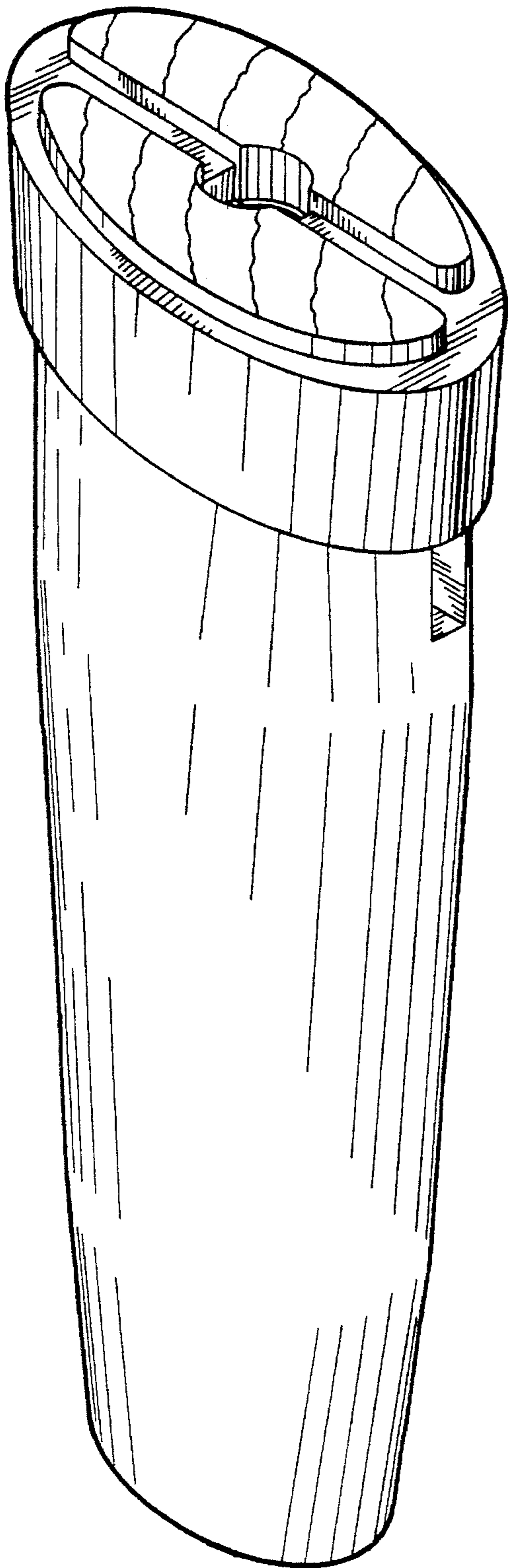


FIG. 1

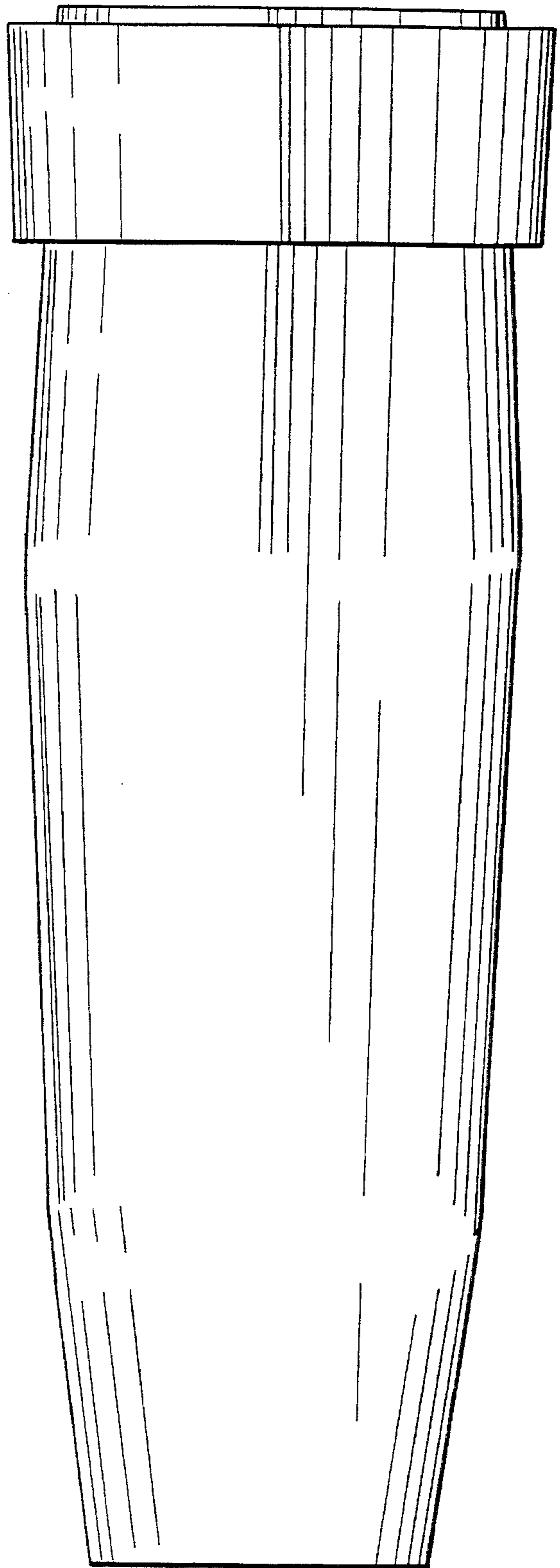


FIG. 2

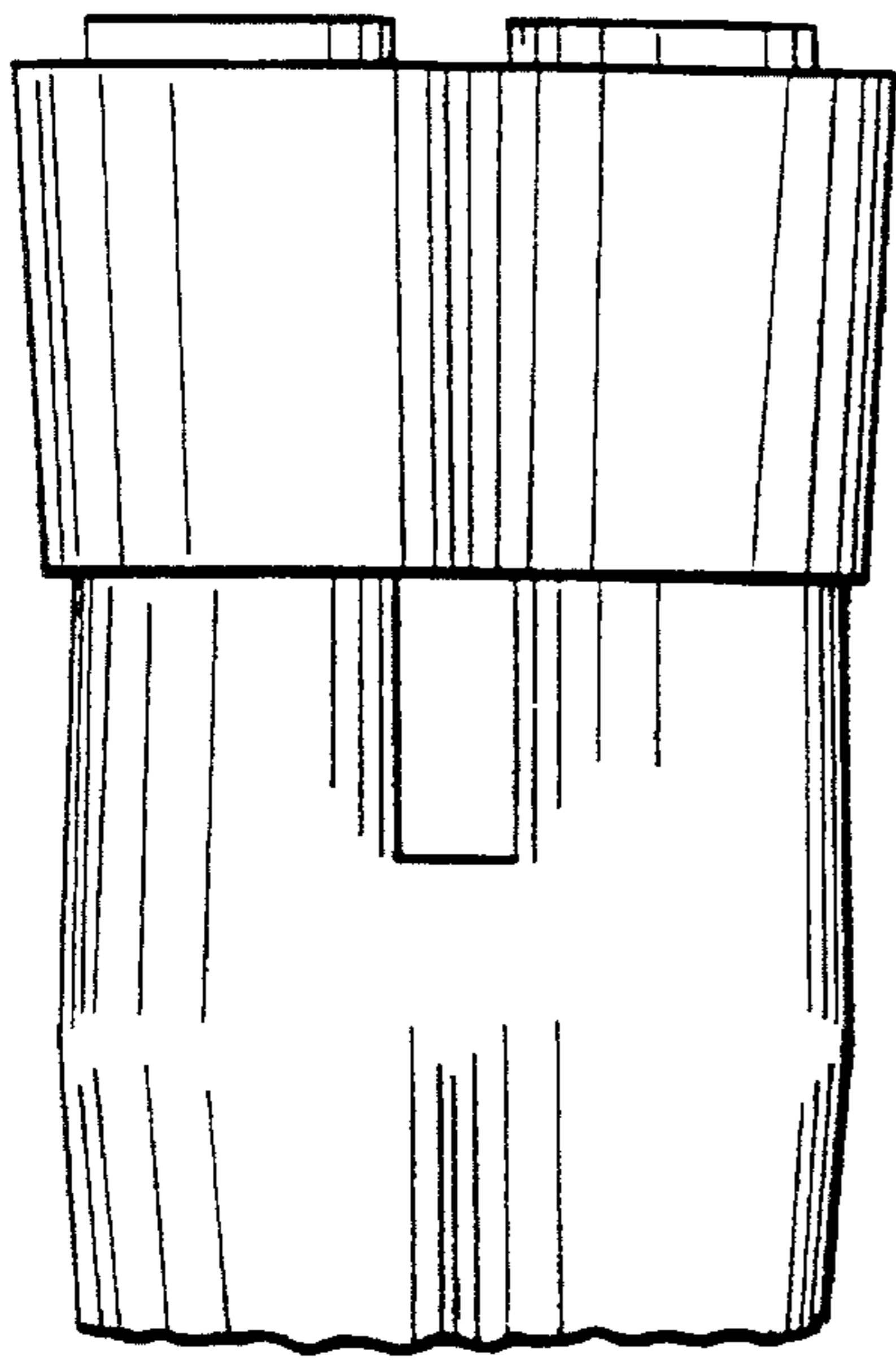


FIG. 3

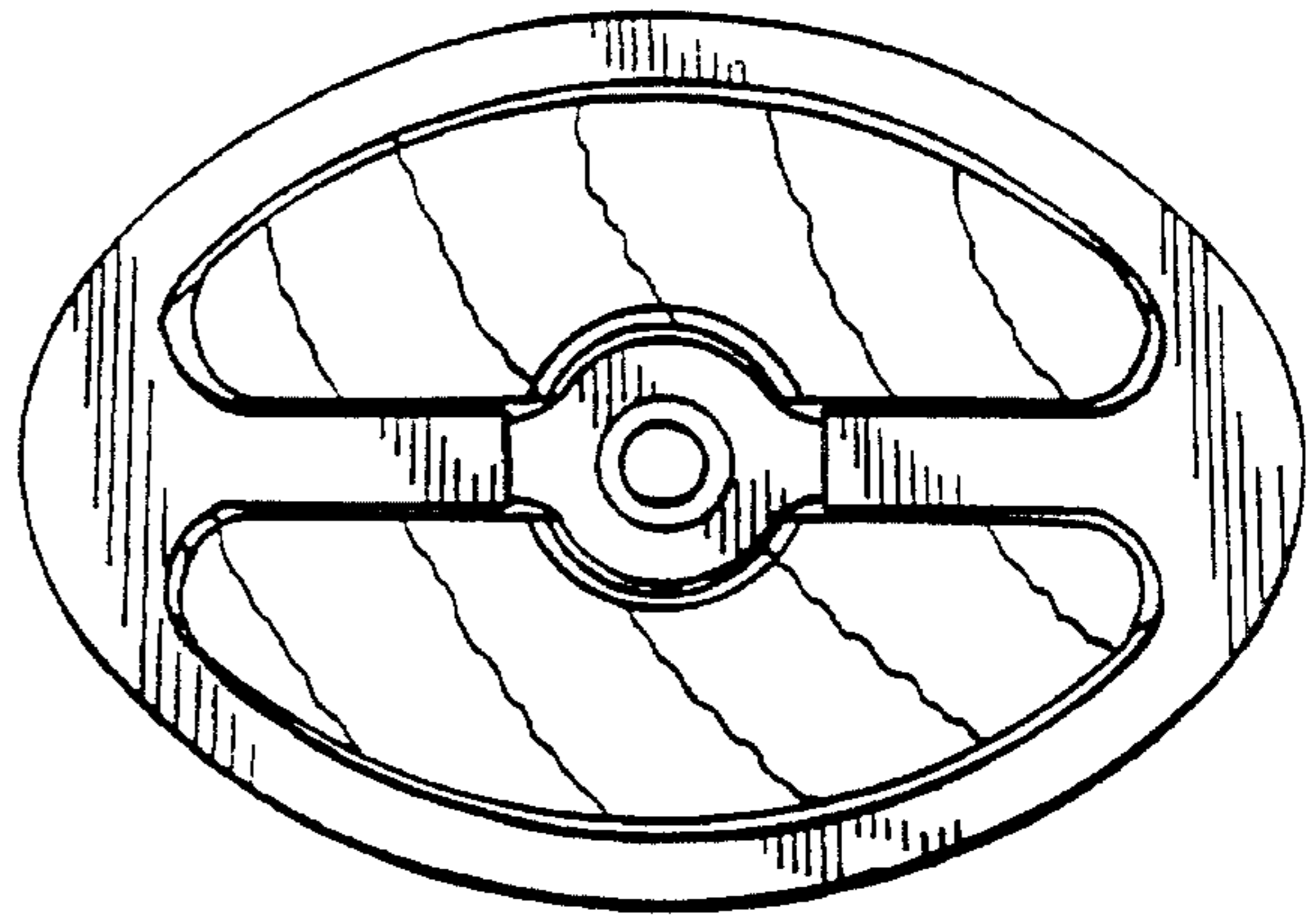


FIG. 4

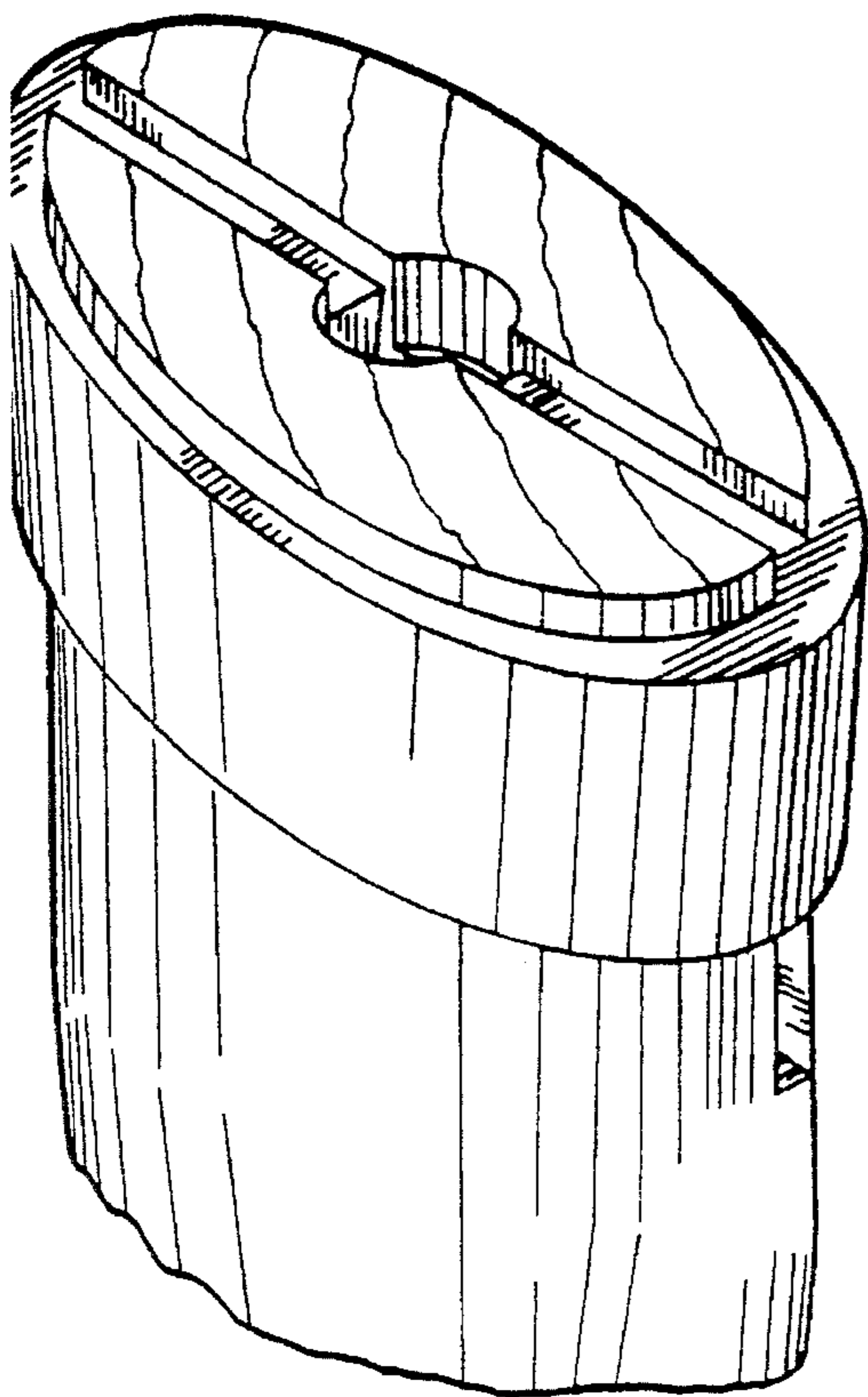


FIG. 6

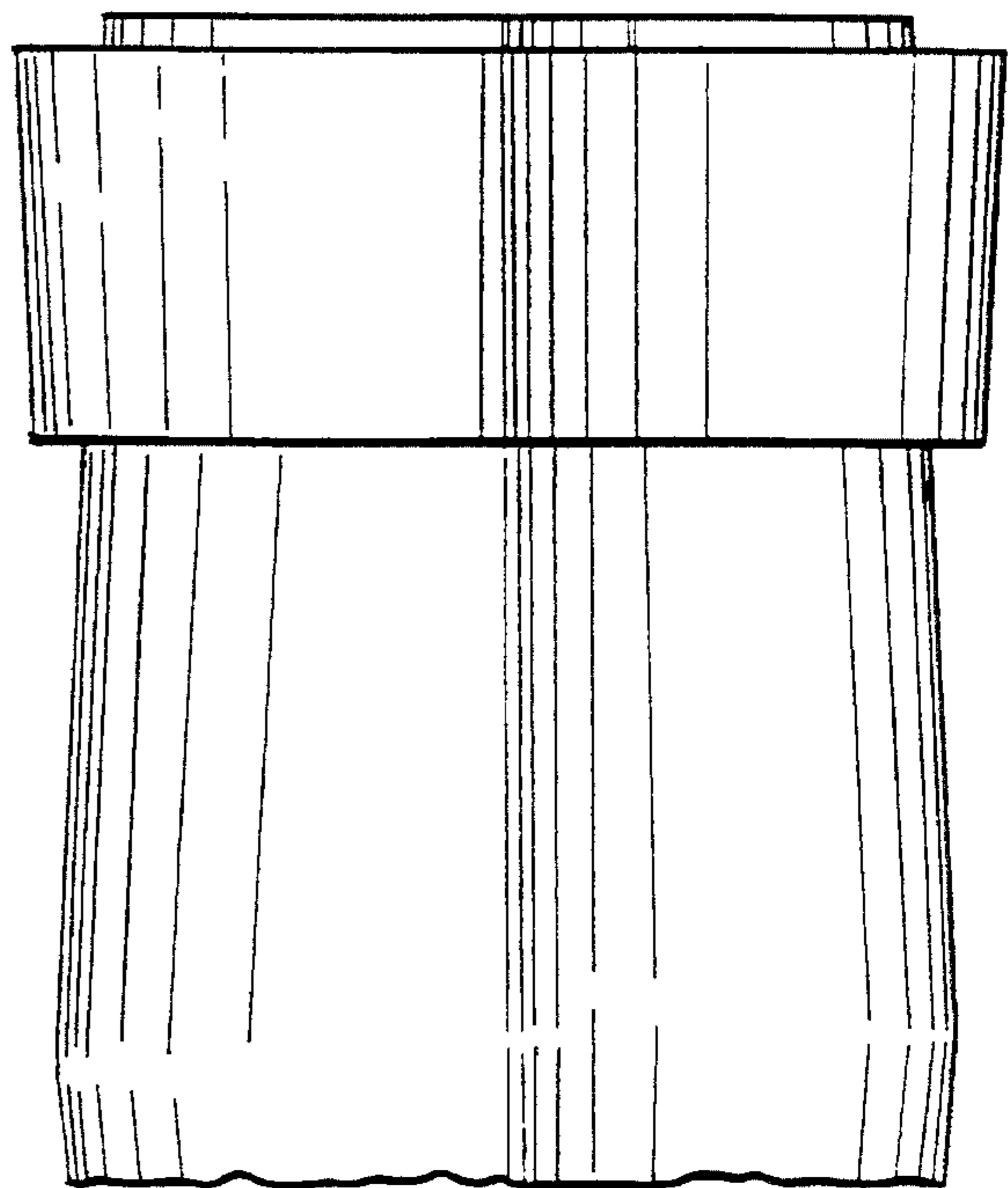


FIG. 7

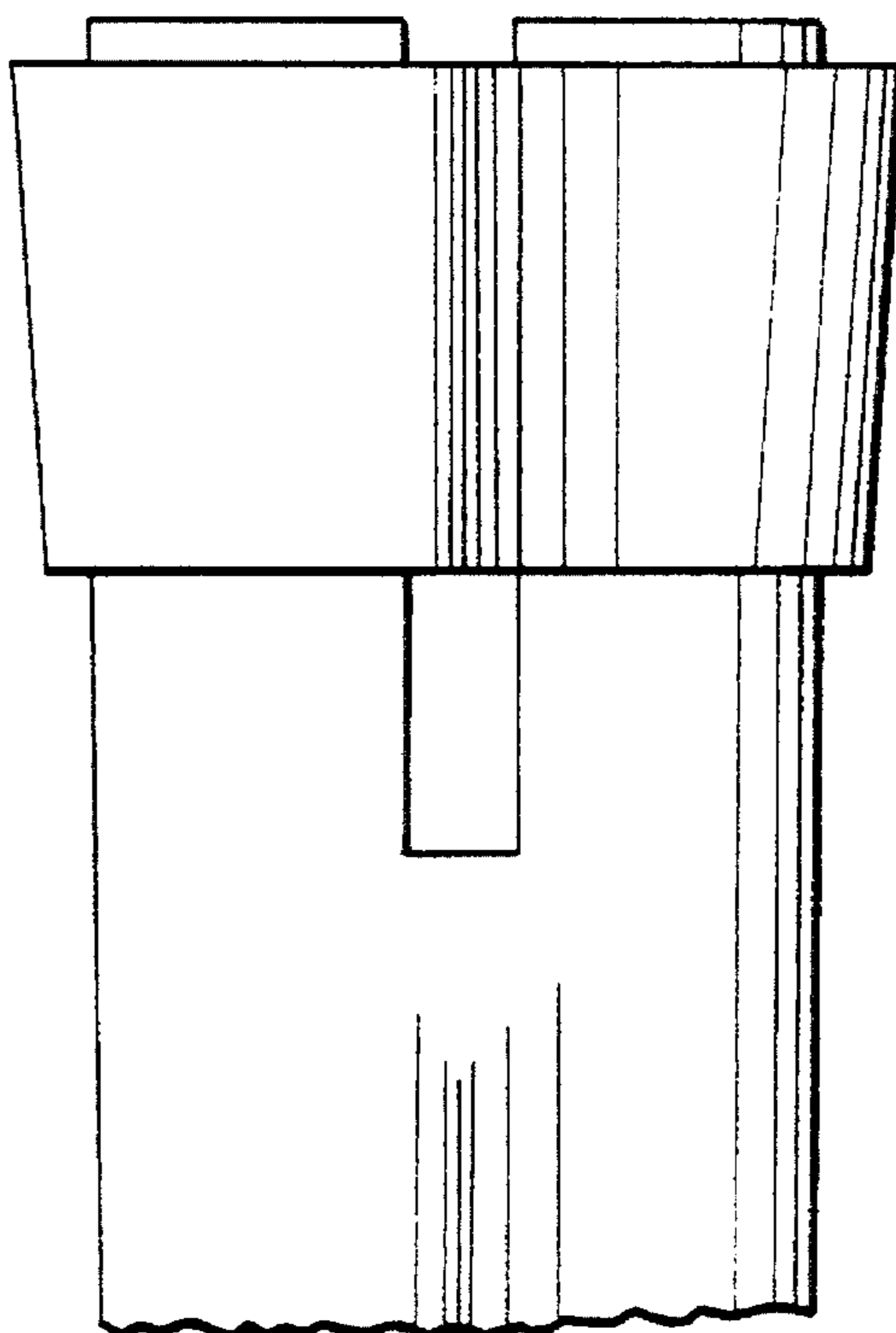


FIG. 8

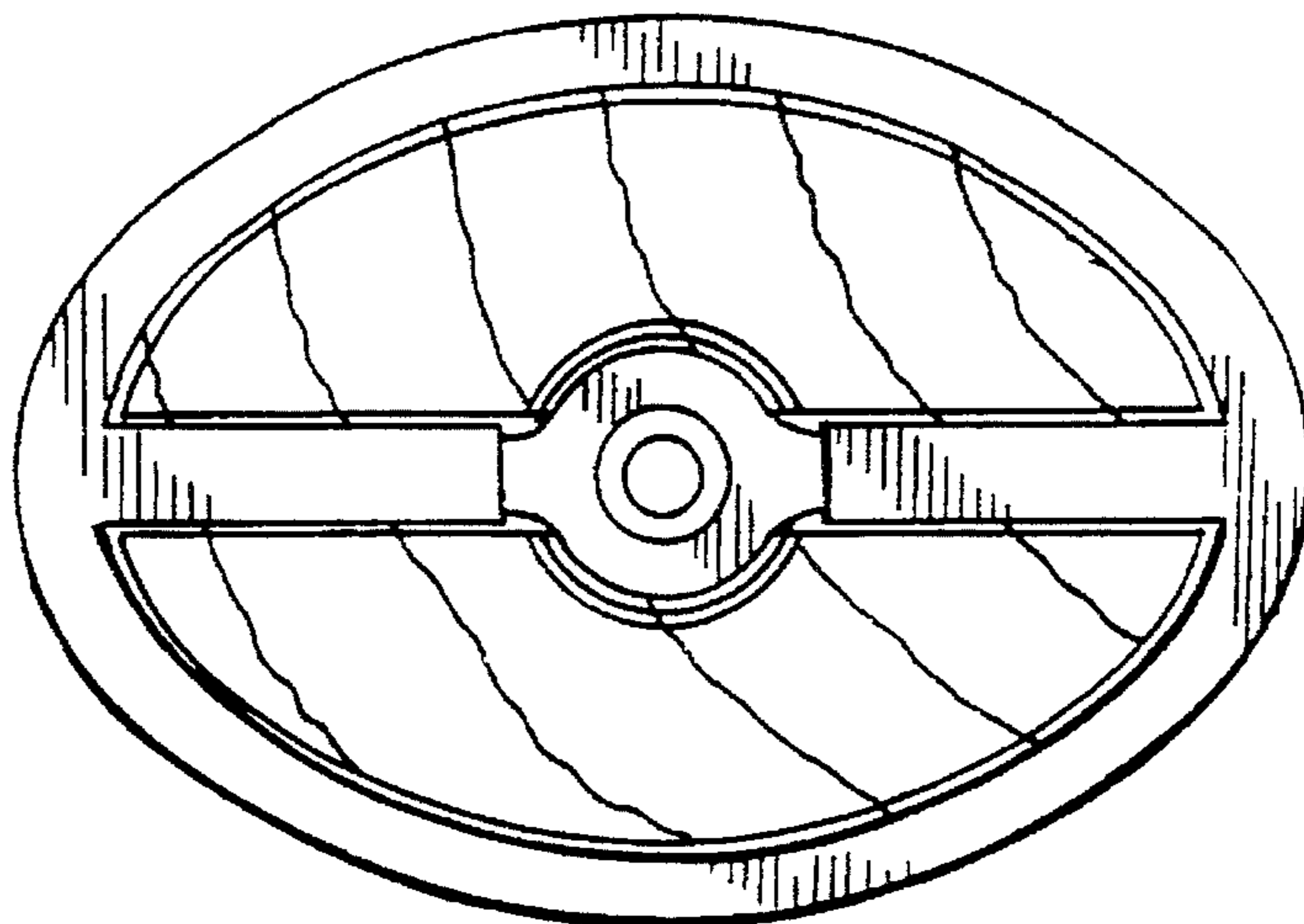


FIG. 9

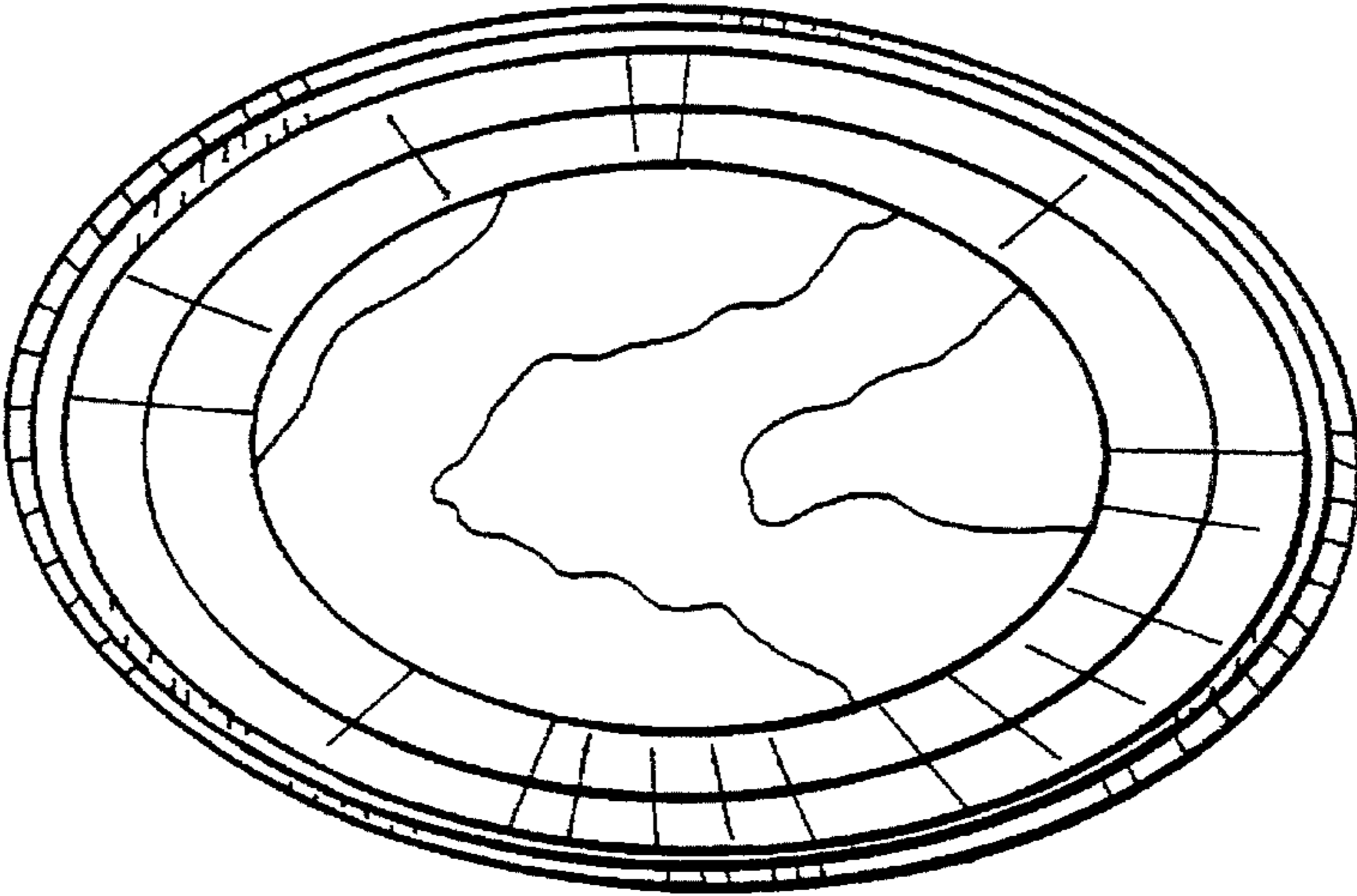


FIG. 5

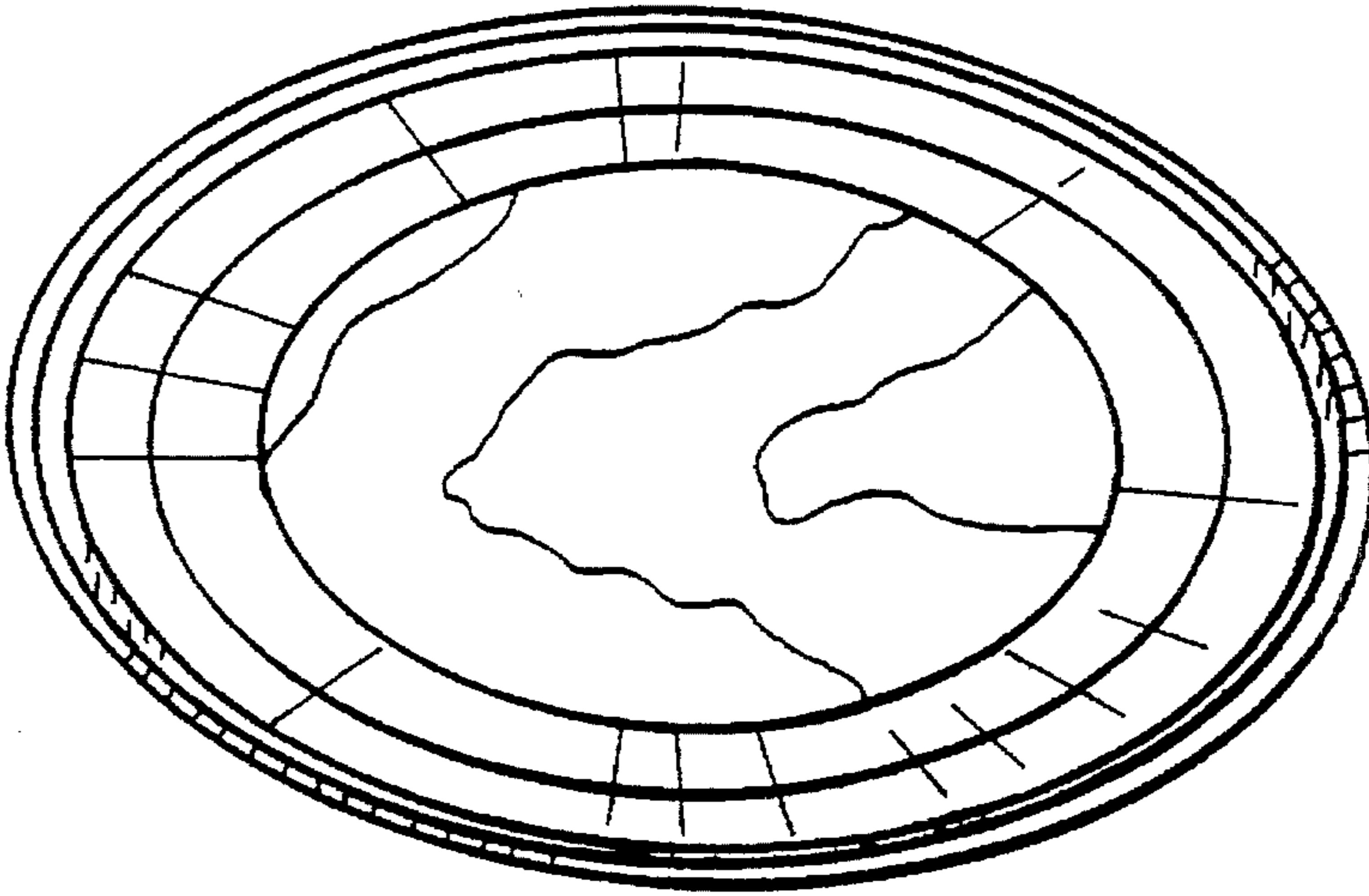


FIG. 10