



US00D366198S

United States Patent [19]
Laib

[11] **Patent Number: Des. 366,198**

[45] **Date of Patent: **Jan. 16, 1996**

[54] **CORKSCREW**

B1 4,291,597 5/1985 Allen 81/348

[75] Inventor: **Douglas M. Laib**, Kissimmee, Fla.

FOREIGN PATENT DOCUMENTS

[73] Assignee: **Dart Industries, Inc.**, Deerfield, Ill.

WO88/03512 5/1988 WIPO 81/3.09

[**] Term: **14 Years**

OTHER PUBLICATIONS

Corkscrews For Collectors, 1981 p. 54.

[21] Appl. No.: **32,036**

Primary Examiner—Ted Shooman

[22] Filed: **Dec. 12, 1994**

Assistant Examiner—Adir Aronovich

[52] **U.S. Cl.** **D8/42**

[57] **CLAIM**

[58] **Field of Search** D8/18, 33-34,
D8/38, 40, 41-43; 81/3.29, 3.36, 3.37,
3.48

The ornamental design for a corkscrew, as shown.

DESCRIPTION

[56] **References Cited**

FIG. 1 is a top, front and side perspective view of the corkscrew showing my new design;

U.S. PATENT DOCUMENTS

D. 281,855	12/1985	Kuhn	D8/42
310,766	1/1885	Wilhelm	D8/43
D. 335,072	4/1993	Gourhant	D8/42
D. 339,041	9/1993	Tanfoglio	D8/42
2,522,219	9/1950	Gaeta	81/3.29
4,276,789	7/1981	Allen	81/3.36
4,377,096	3/1983	Allen	81/3.38
4,572,034	2/1986	Lee	81/3.29
4,703,673	11/1987	Allen	81/3.29
4,727,779	3/1988	Lee	81/3.37
4,800,784	1/1989	Allen	81/3.36
5,351,579	10/1994	Metz et al.	81/3.29
5,361,652	11/1994	Andina	81/3.29
B1 4,276,789	10/1991	Allen	81/3.36

FIG. 2 is an exploded perspective view thereof;

FIG. 3 is a front elevation view thereof;

FIG. 4 is a rear elevation view thereof;

FIG. 5 is a top plan view thereof;

FIG. 6 is a bottom plan view thereof;

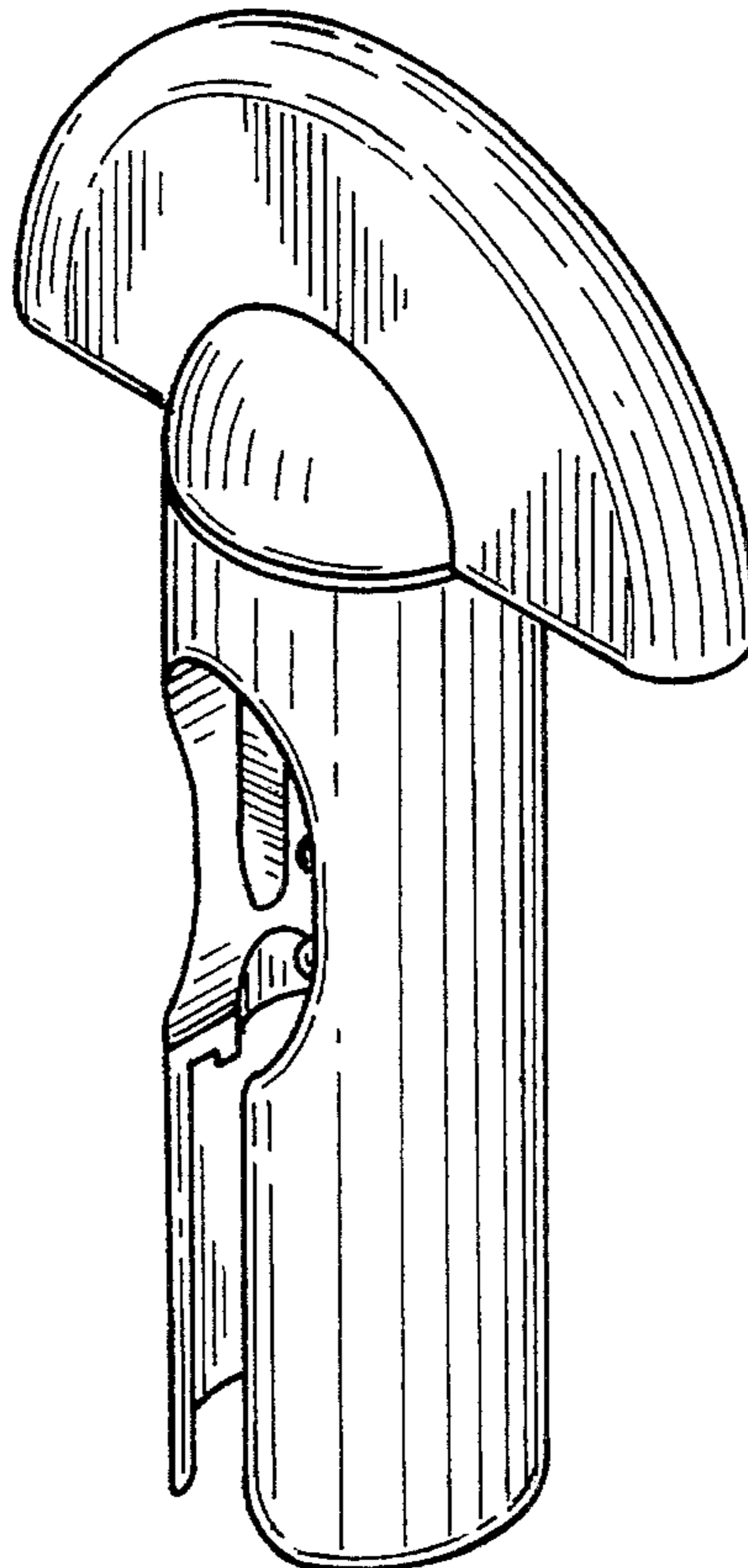
FIG. 7 is a right side elevation view thereof;

FIG. 8 is a left side elevation view thereof;

FIG. 9 is a cross-sectional view taken along the line 9—9 of FIG. 5; and,

FIG. 10 is a cross-sectional view taken along the line 10—10 of FIG. 3.

1 Claim, 4 Drawing Sheets



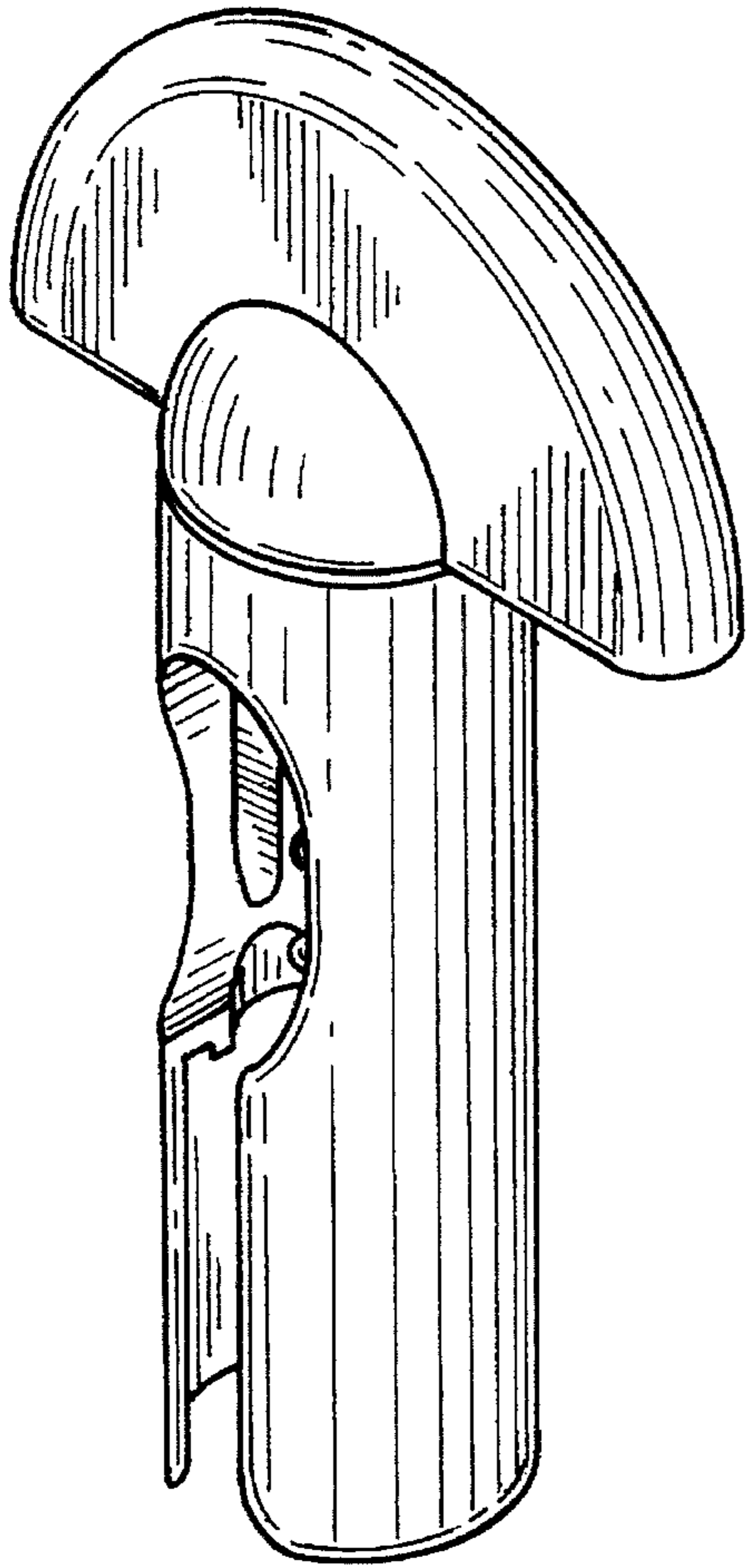


FIG. 1

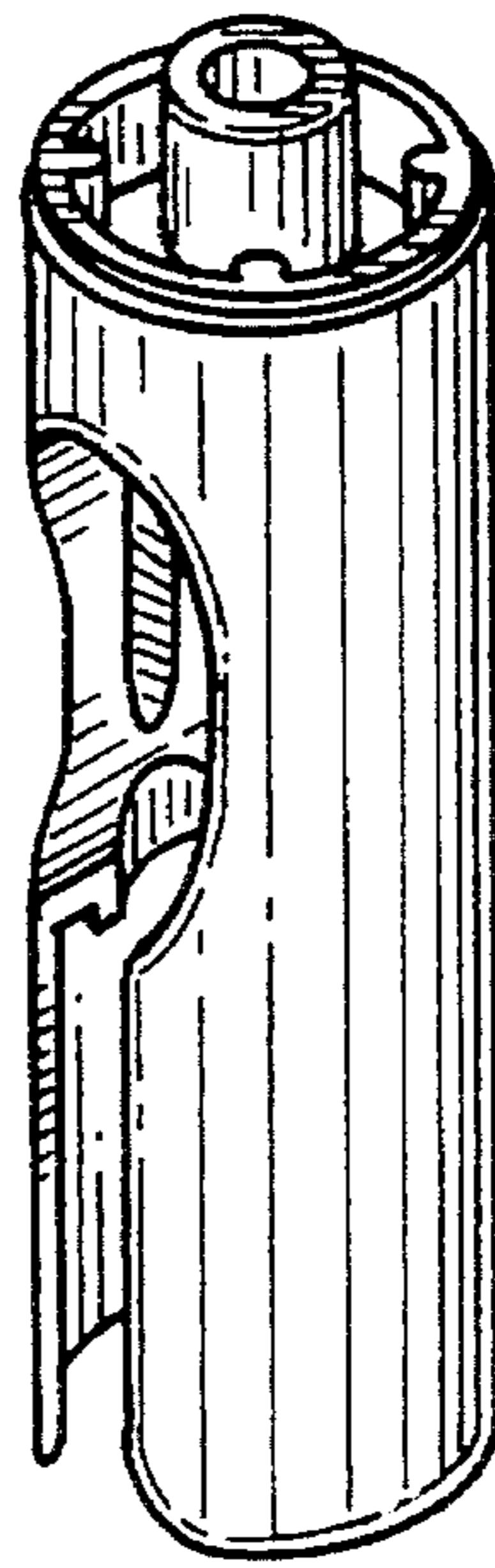
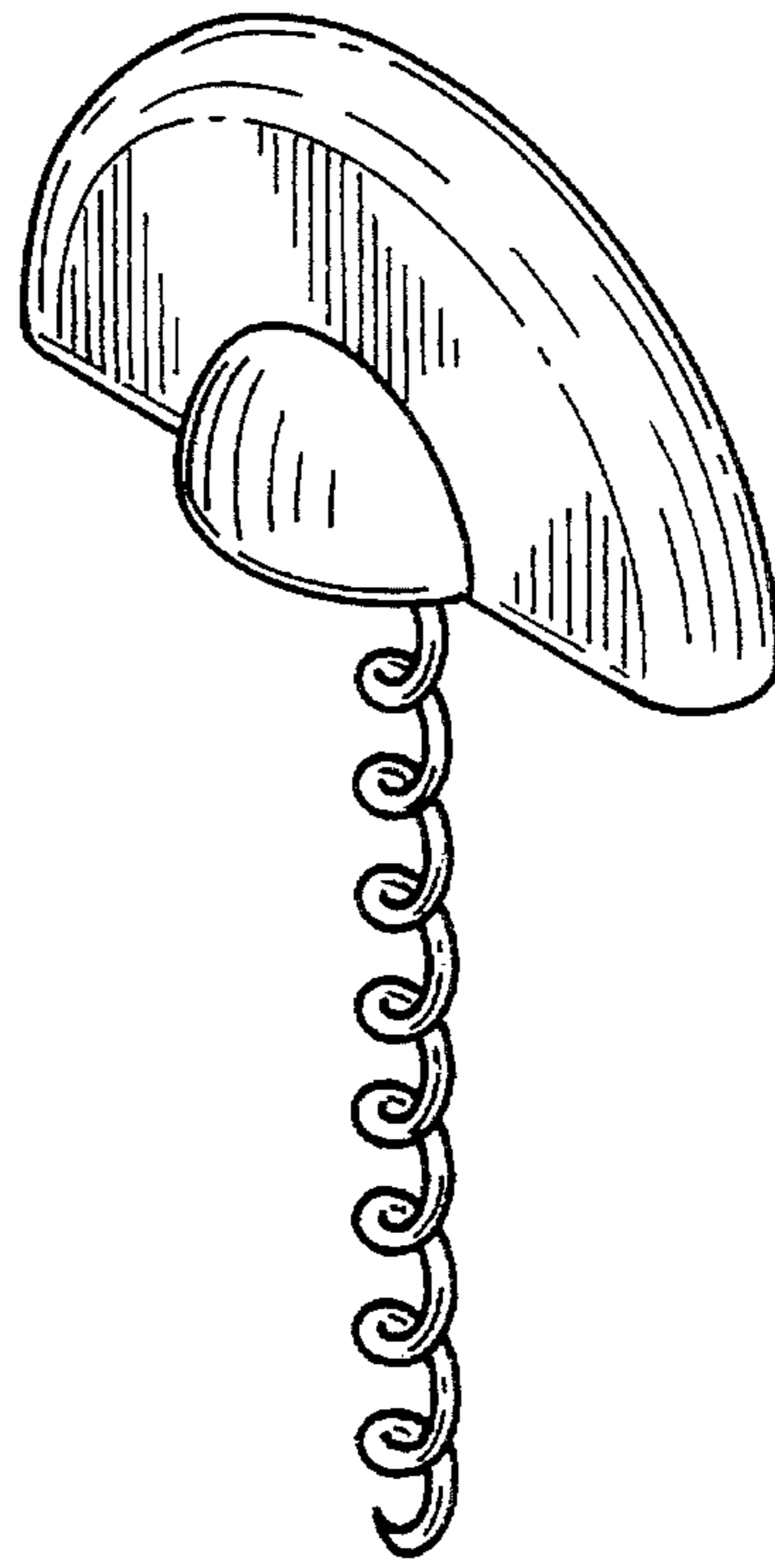


FIG. 2

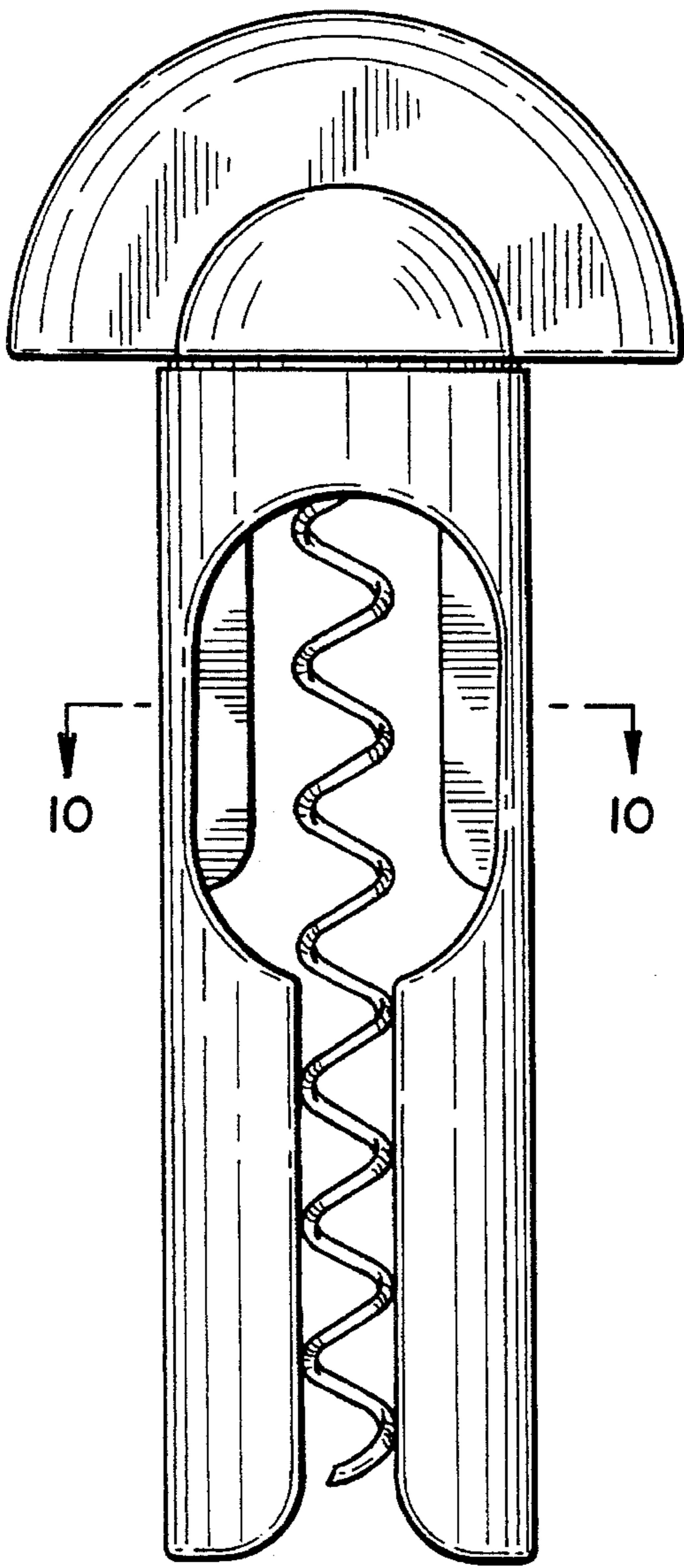


FIG. 3

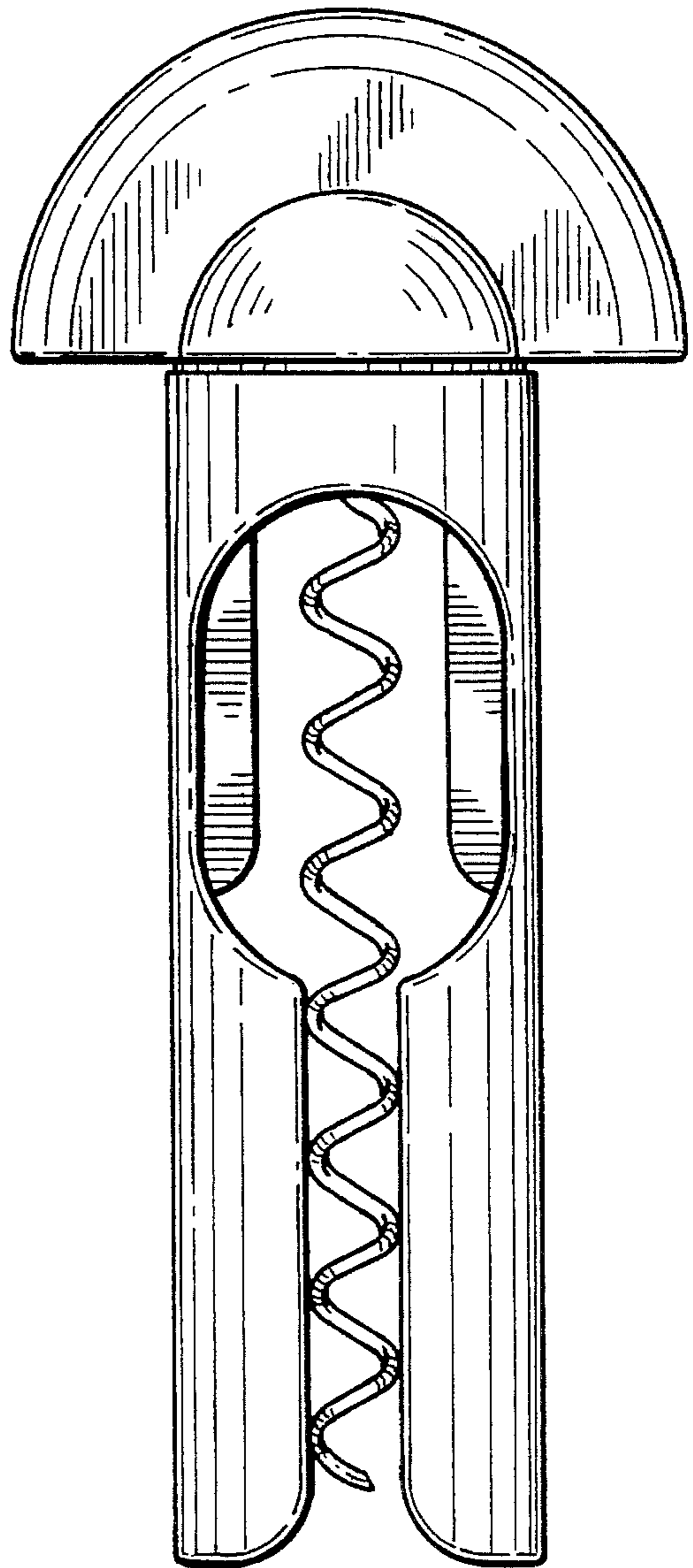


FIG. 4

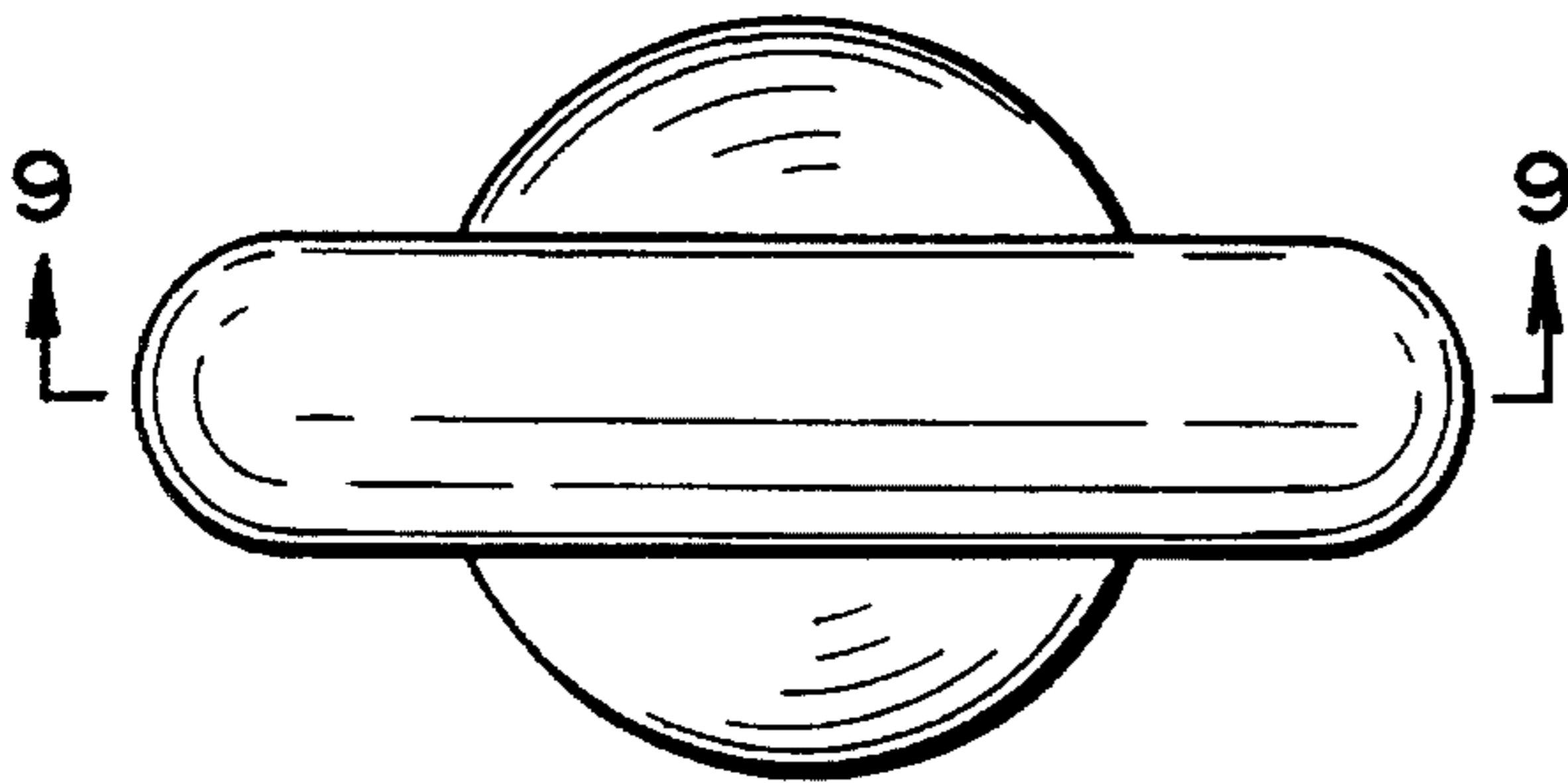


FIG. 5

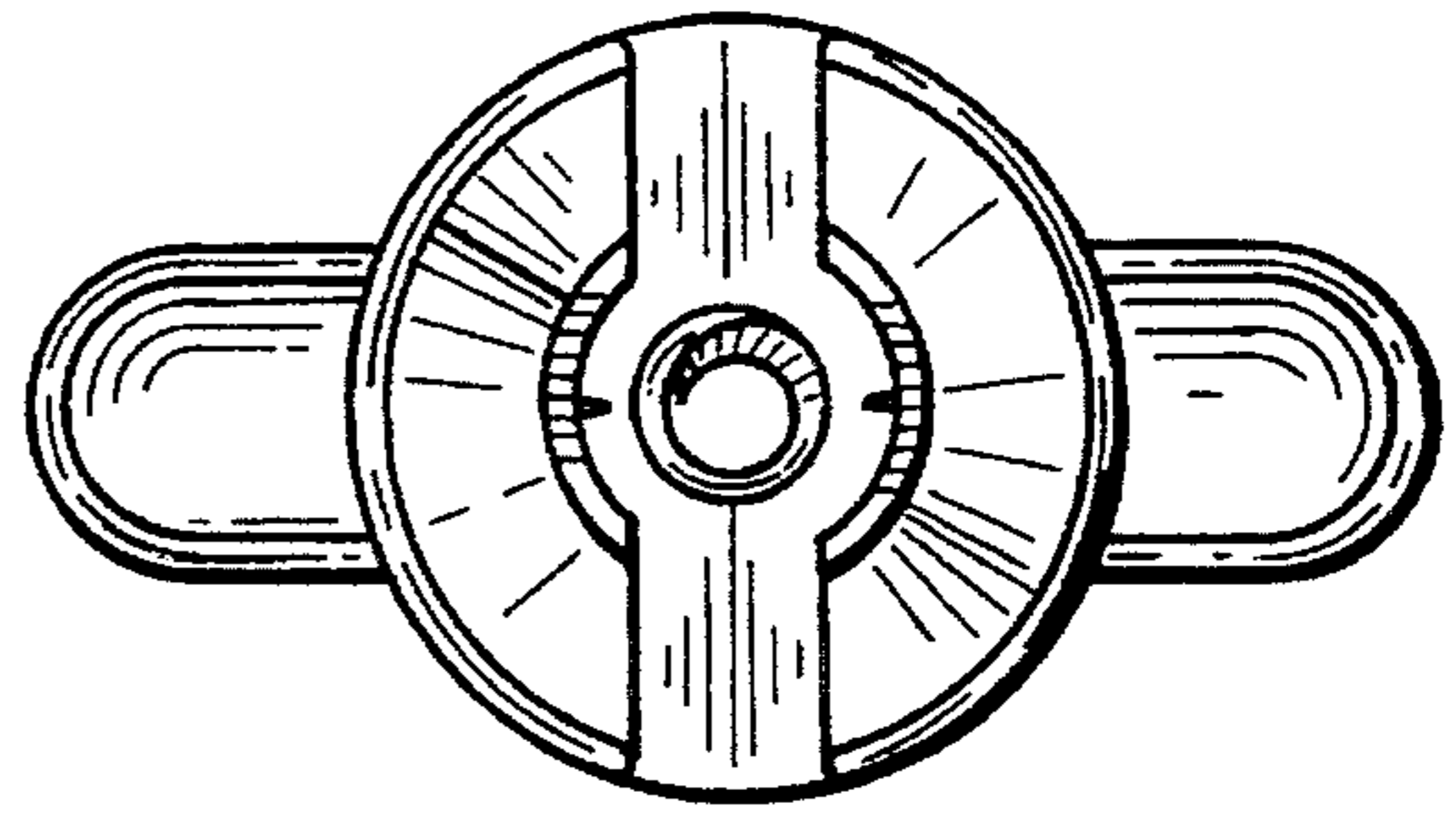


FIG. 6

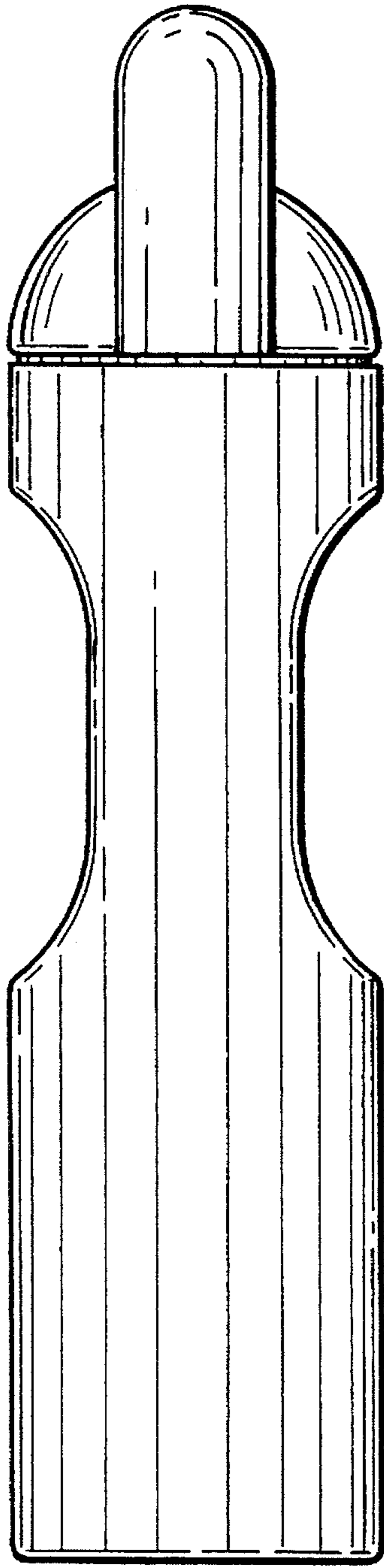


FIG. 7

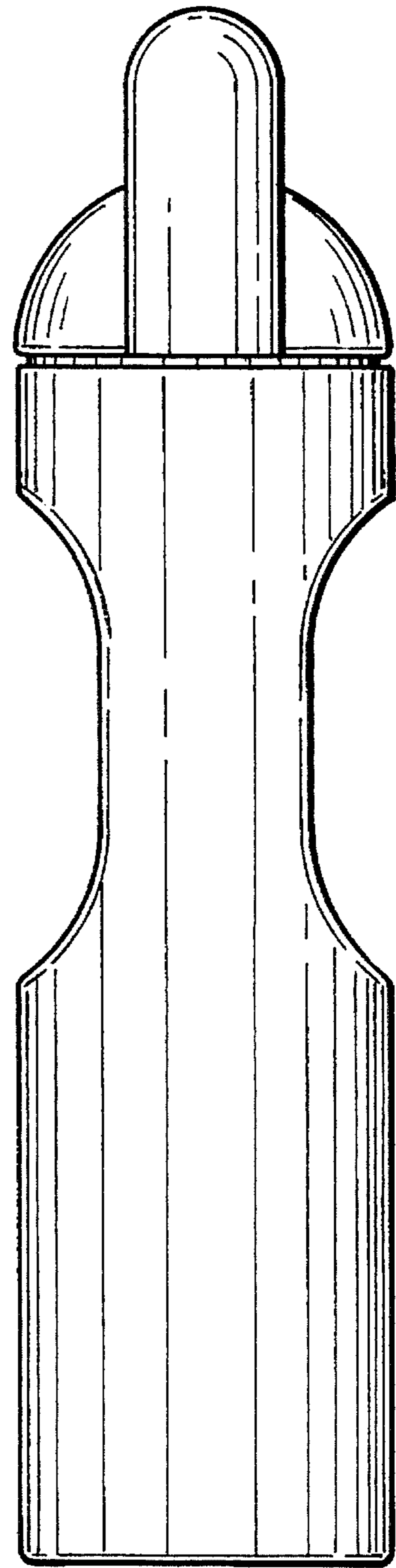


FIG. 8

FIG. 9

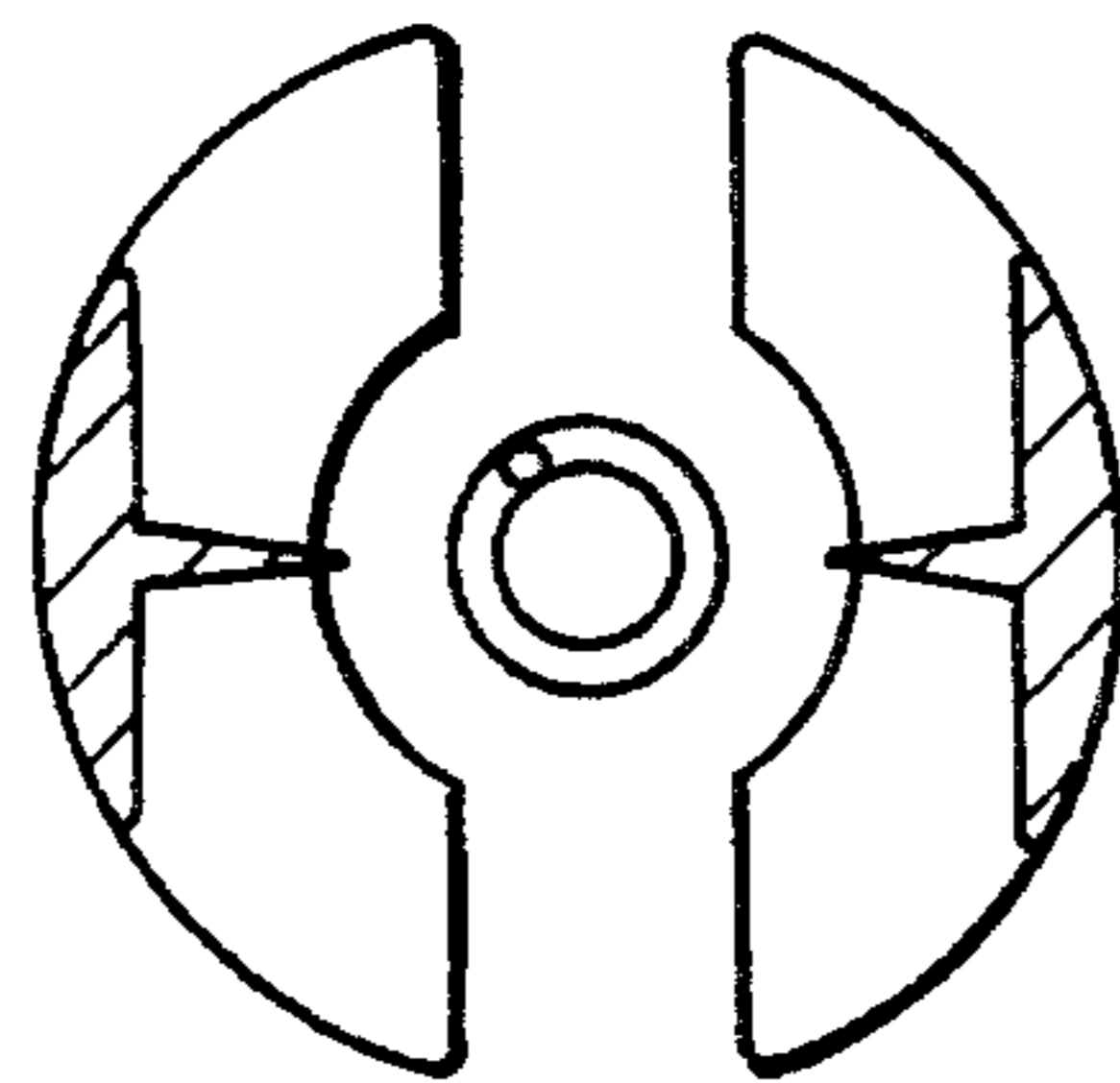
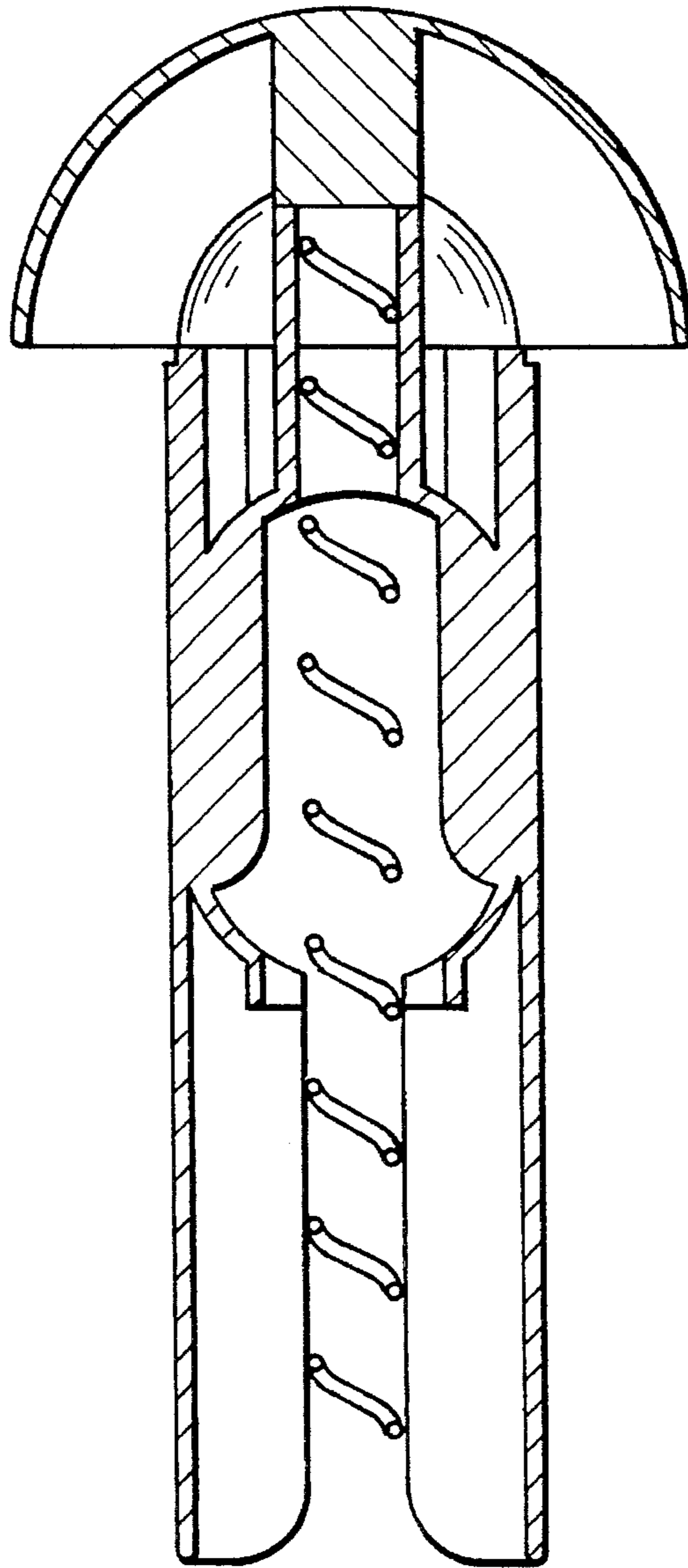


FIG. 10