



US00D366197S

**United States Patent** [19]  
**Laib**

[11] **Patent Number: Des. 366,197**

[45] **Date of Patent: \*\*Jan. 16, 1996**

[54] **CAN OPENER**

5,197,197 3/1993 Himmighofen et al. .... 30/416

[75] Inventor: **Douglas M. Laib**, Kissimmee, Fla.

*Primary Examiner*—Ted Shooman  
*Assistant Examiner*—Adir Aronovich

[73] Assignee: **Dart Industries, Inc.**, Deerfield, Ill.

[57] **CLAIM**

[\*\*] Term: **14 Years**

The ornamental design for a can opener, as shown.

[21] Appl. No.: **31,978**

**DESCRIPTION**

[22] Filed: **Dec. 12, 1994**

[52] **U.S. Cl.** ..... **D8/41**

[58] **Field of Search** ..... D8/18, 33-34,  
D8/39, 40, 41-43; 30/416, 417, 419, 420,  
418, 426, 427, 430

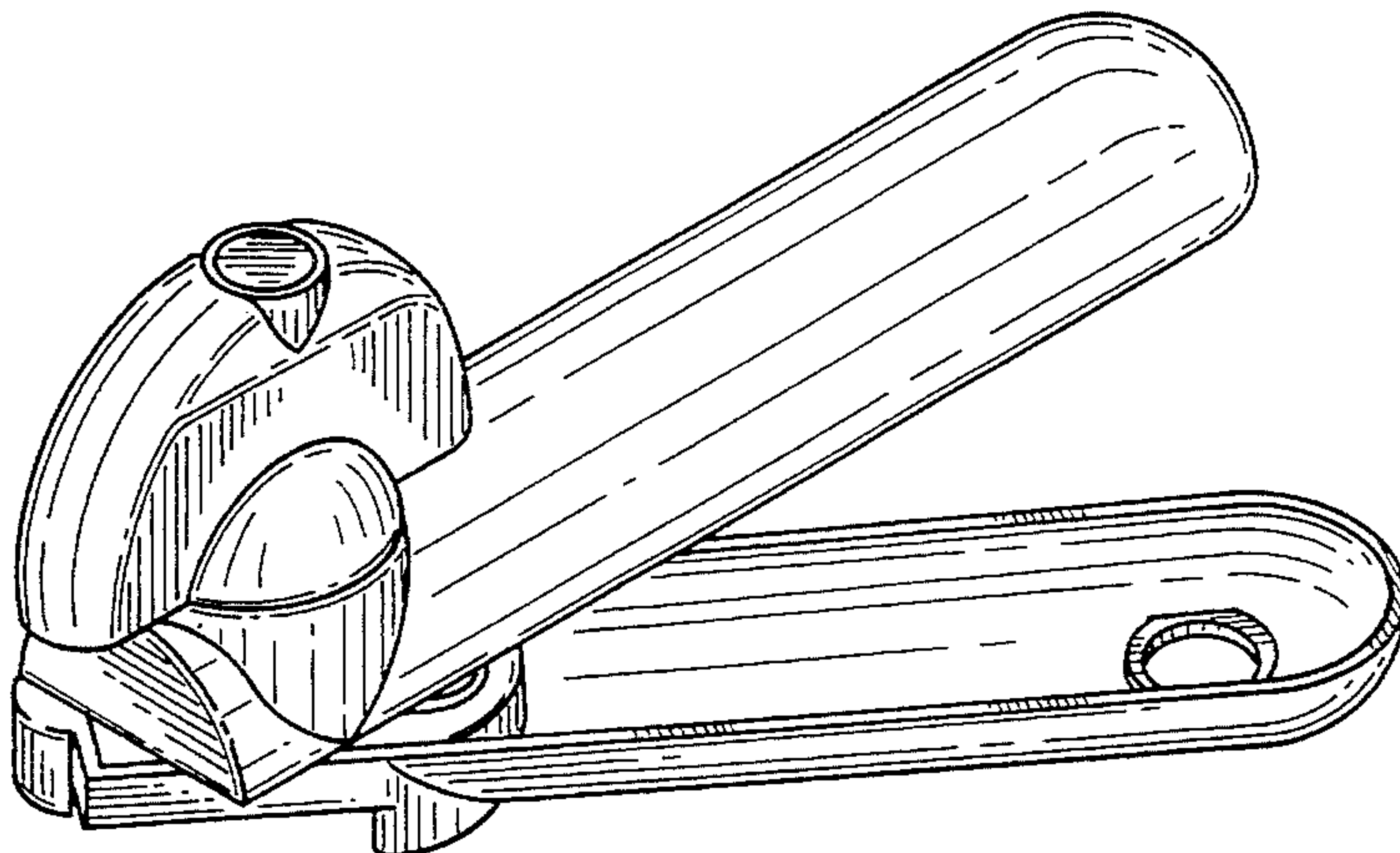
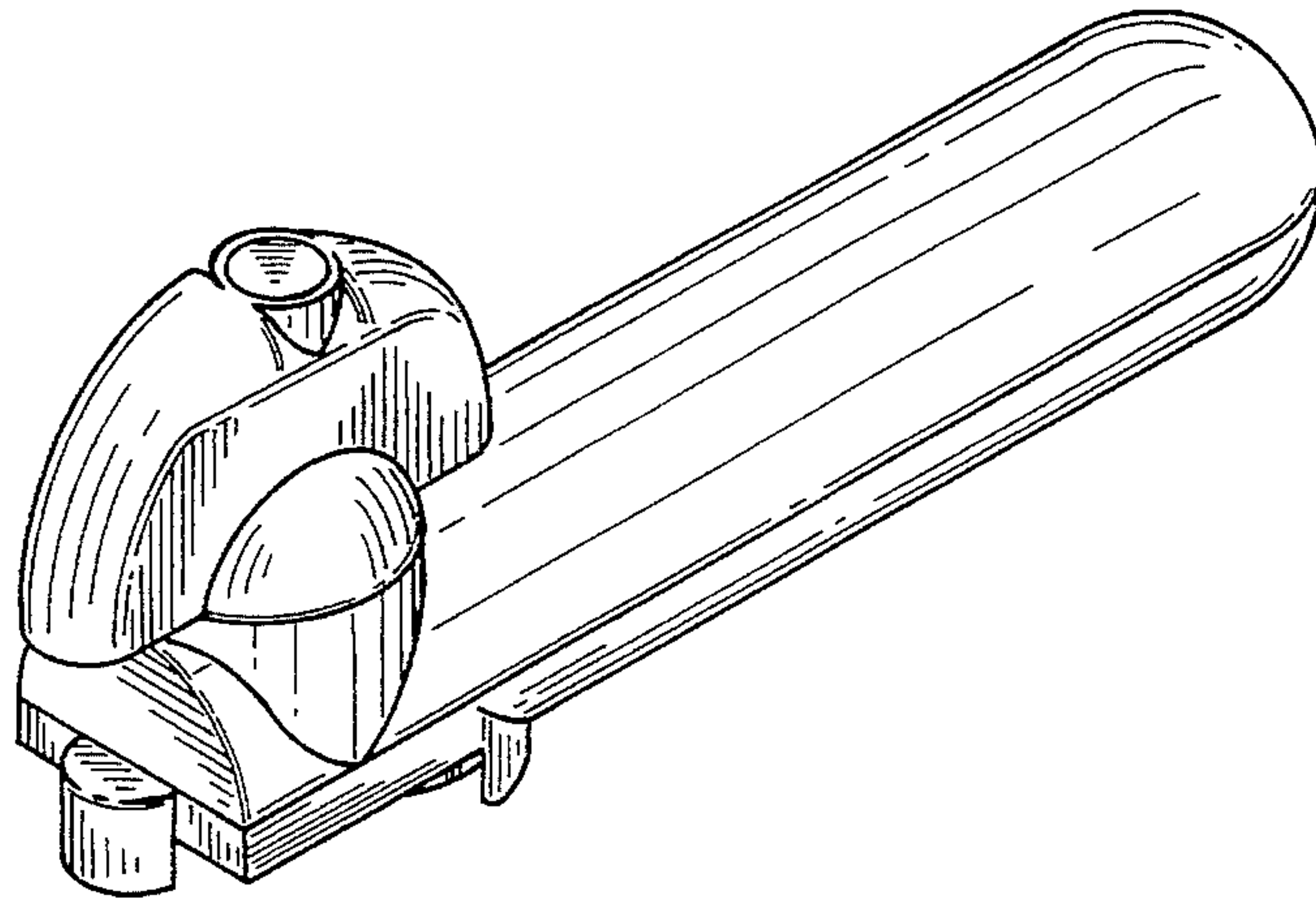
FIG. 1 is a top, front and side perspective view of a can opener showing my new design;  
FIG. 2 is a top plan view thereof;  
FIG. 3 is a bottom plan view thereof;  
FIG. 4 is a right side view thereof;  
FIG. 5 is a left side view thereof;  
FIG. 6 is a front elevation view thereof;  
FIG. 7 is a rear elevation view thereof;  
FIG. 8 is a top and side perspective view thereof in an open position;  
FIG. 9 is a longitudinal section view thereof on line 9—9 in FIG. 2; and,  
FIG. 10 is a transverse section view thereof on line 10—10 in FIG. 2.

[56] **References Cited**

**U.S. PATENT DOCUMENTS**

D. 277,926	3/1985	Chow	.....	D8/41
D. 282,521	2/1986	Steinko	.....	D8/39
D. 326,039	5/1992	Viemeister	.....	D8/33
D. 339,723	9/1993	Tanfoglio	.....	D8/41
1,562,580	11/1925	Nordhaus	.....	30/417
1,610,808	12/1926	Morrison et al.	.....	30/417
4,754,550	7/1988	Koo	.....	30/417
5,181,322	1/1993	Koo	.....	30/426

**1 Claim, 5 Drawing Sheets**



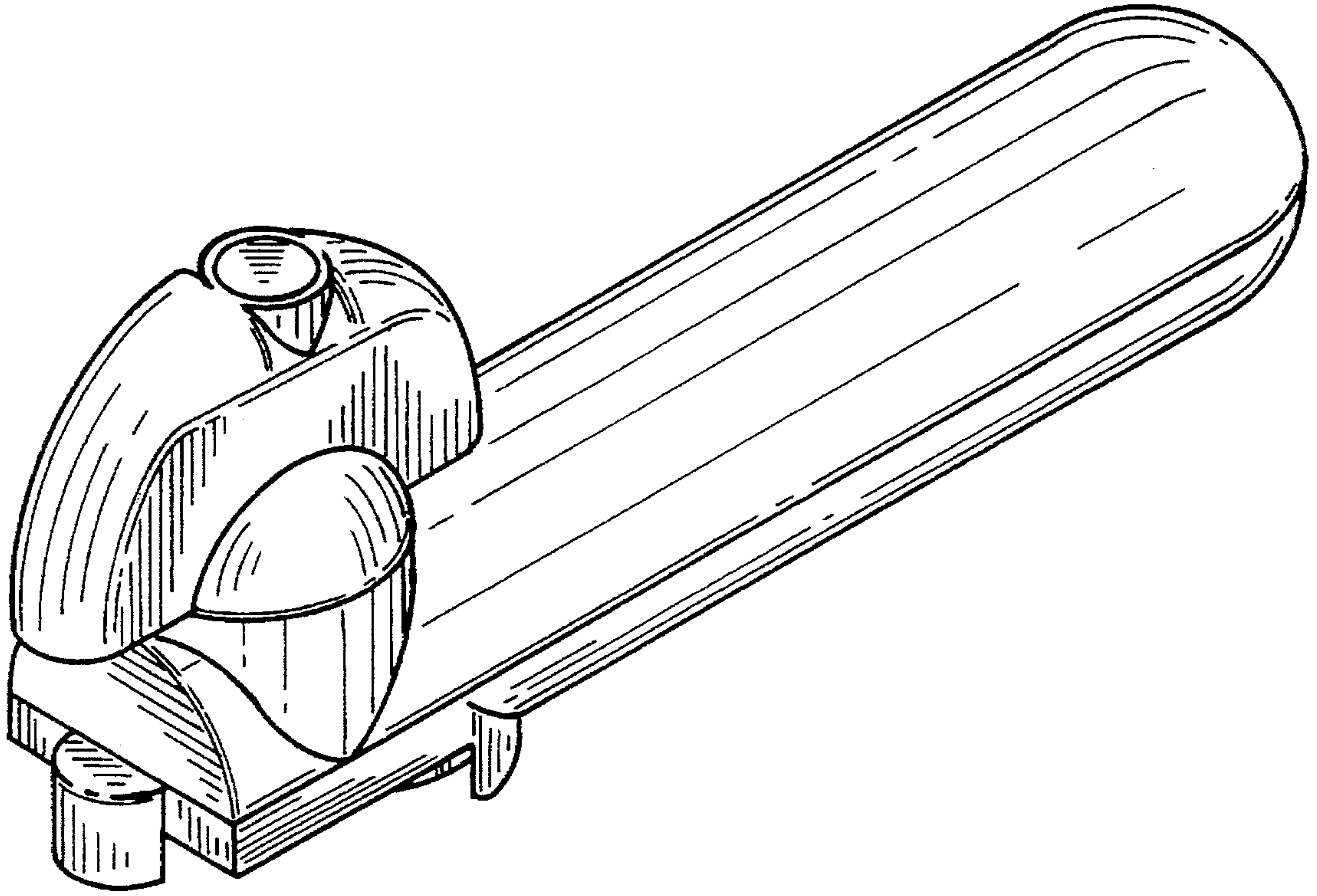


FIG. 1

FIG. 2

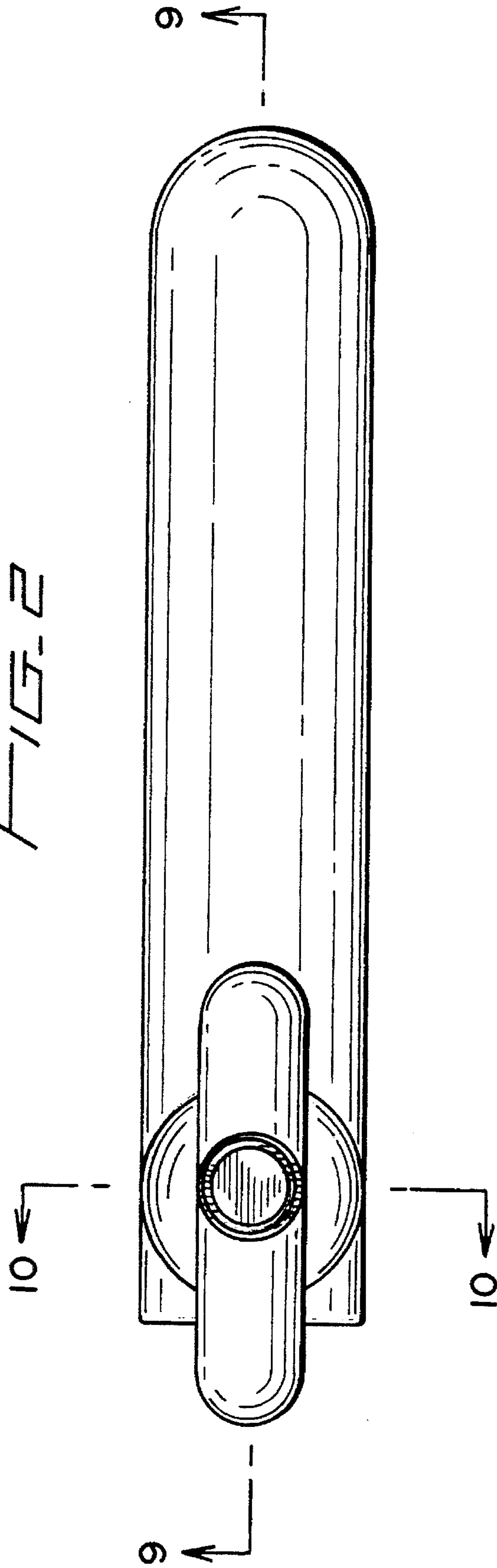
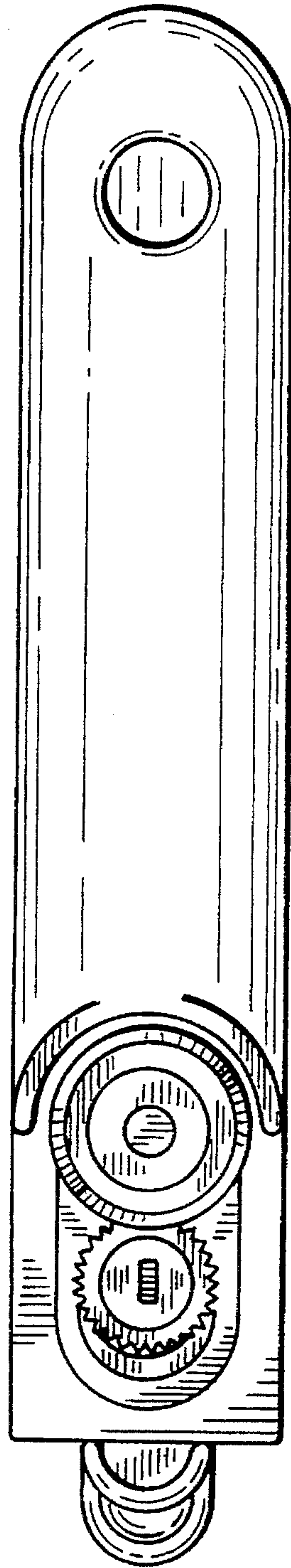
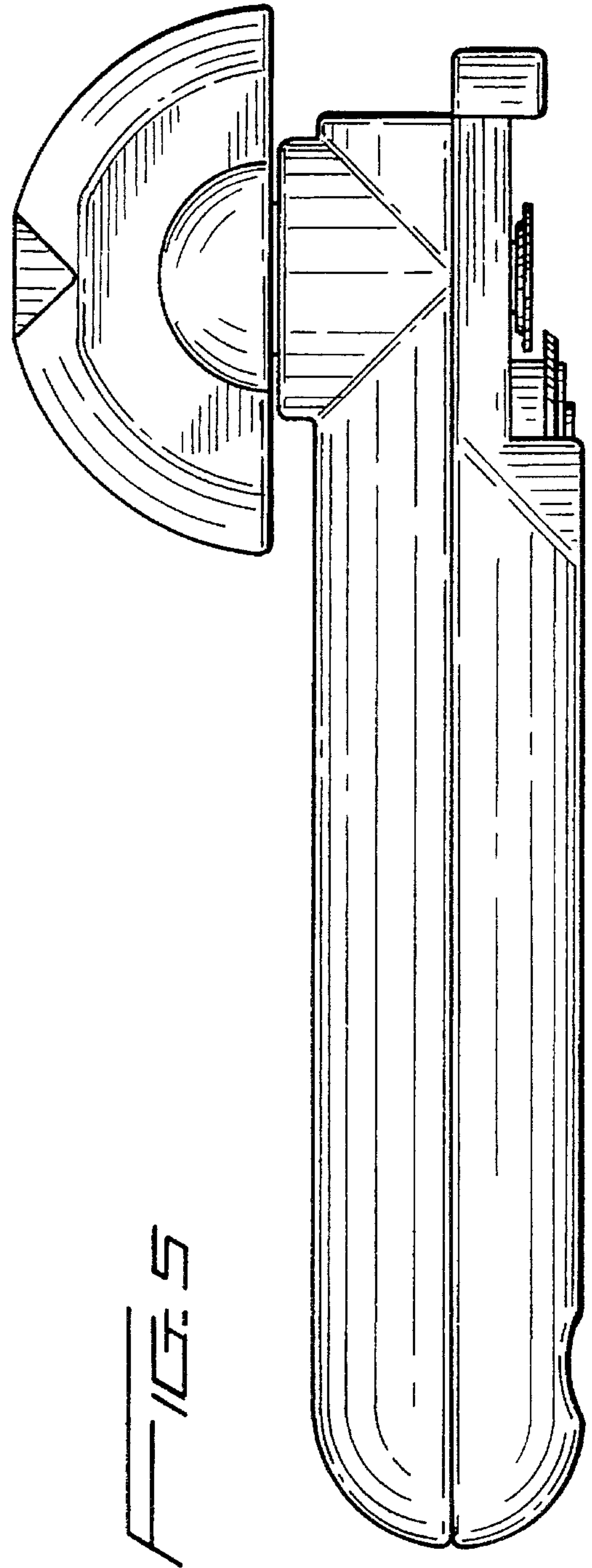
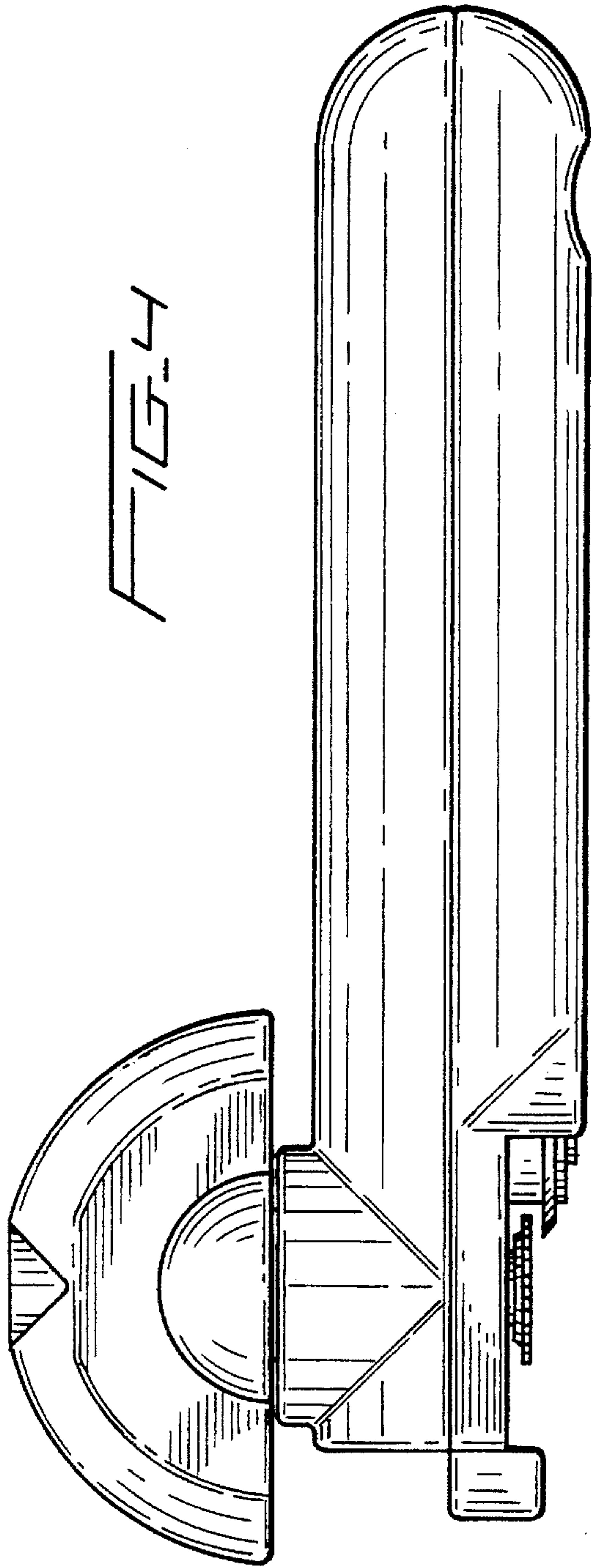


FIG. 3







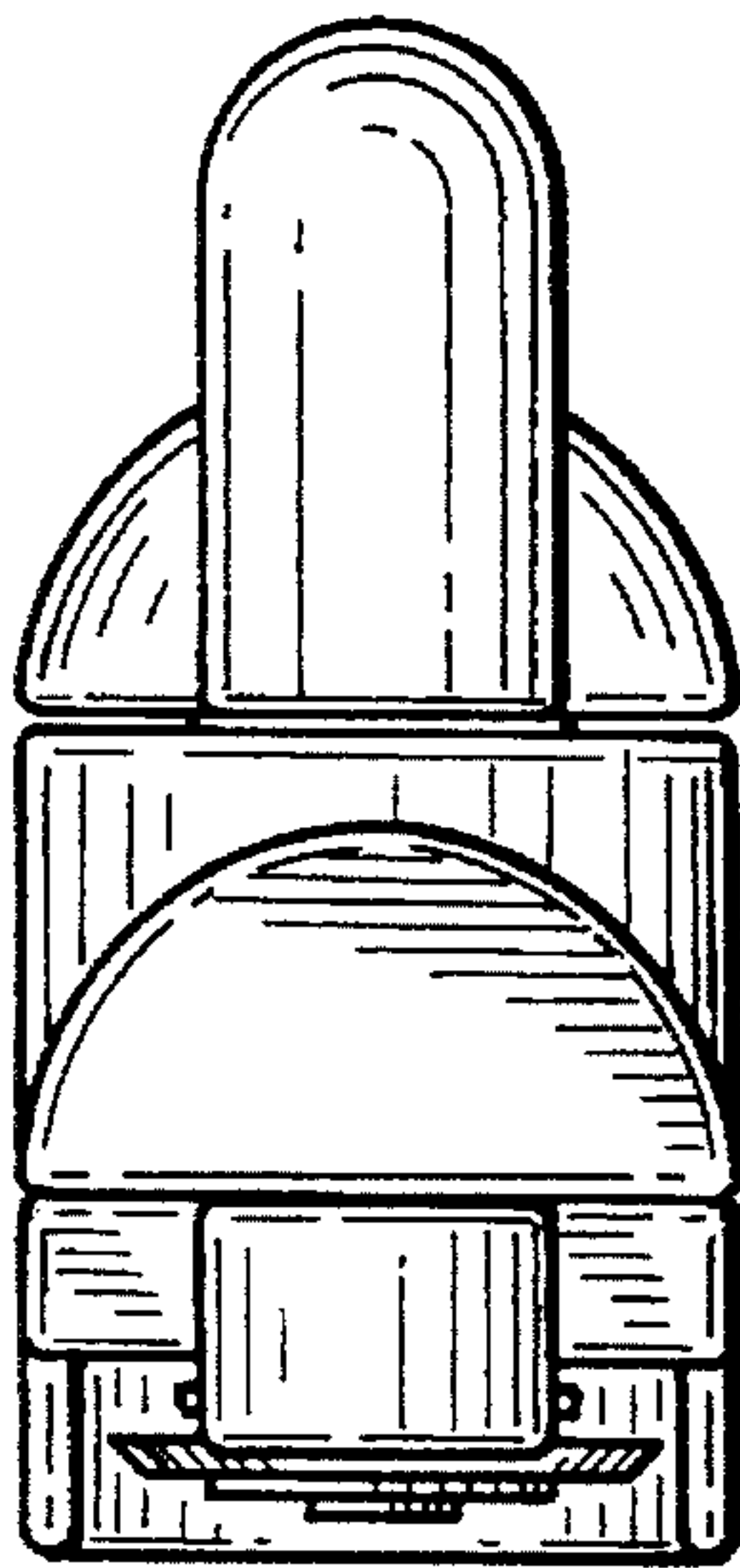


FIG. 6

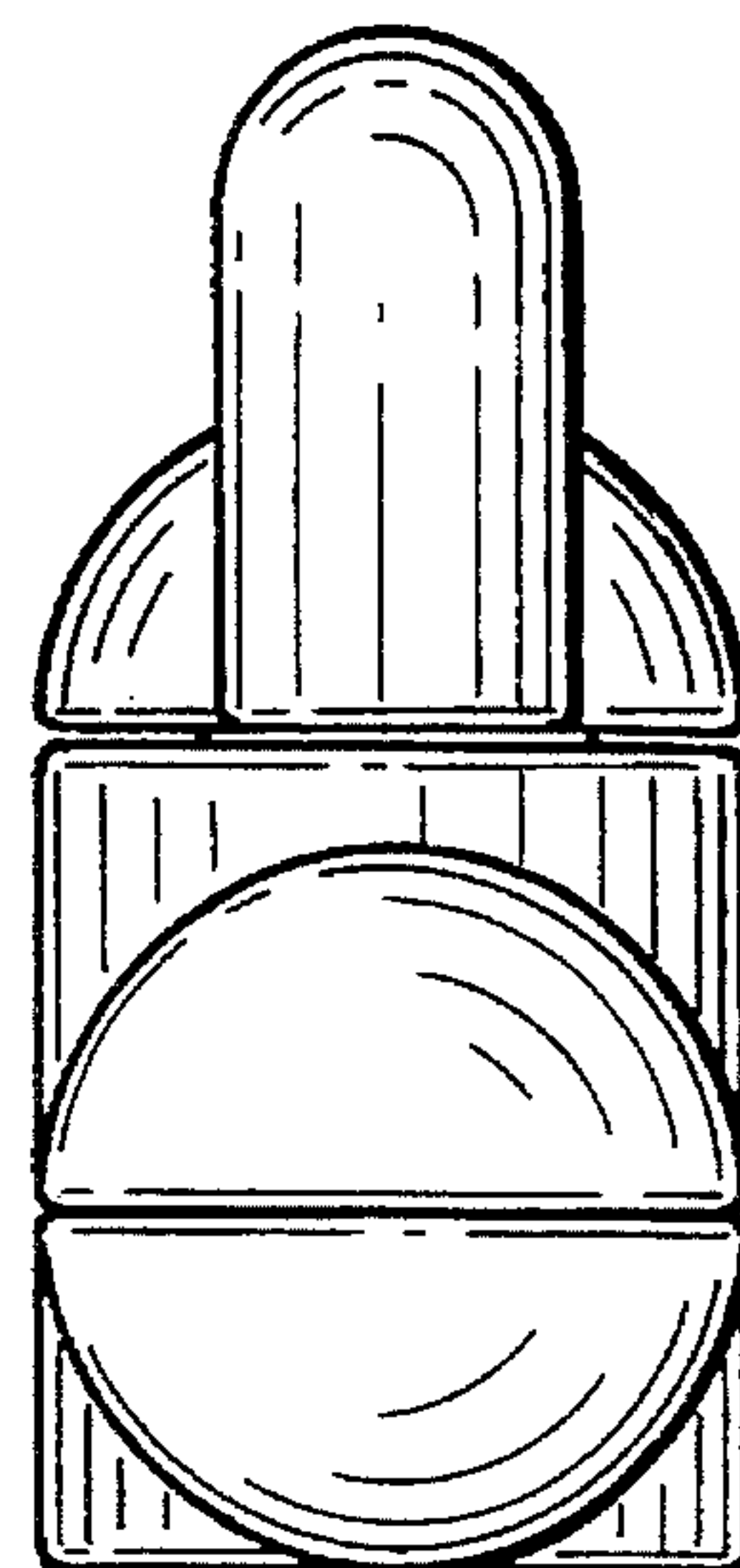
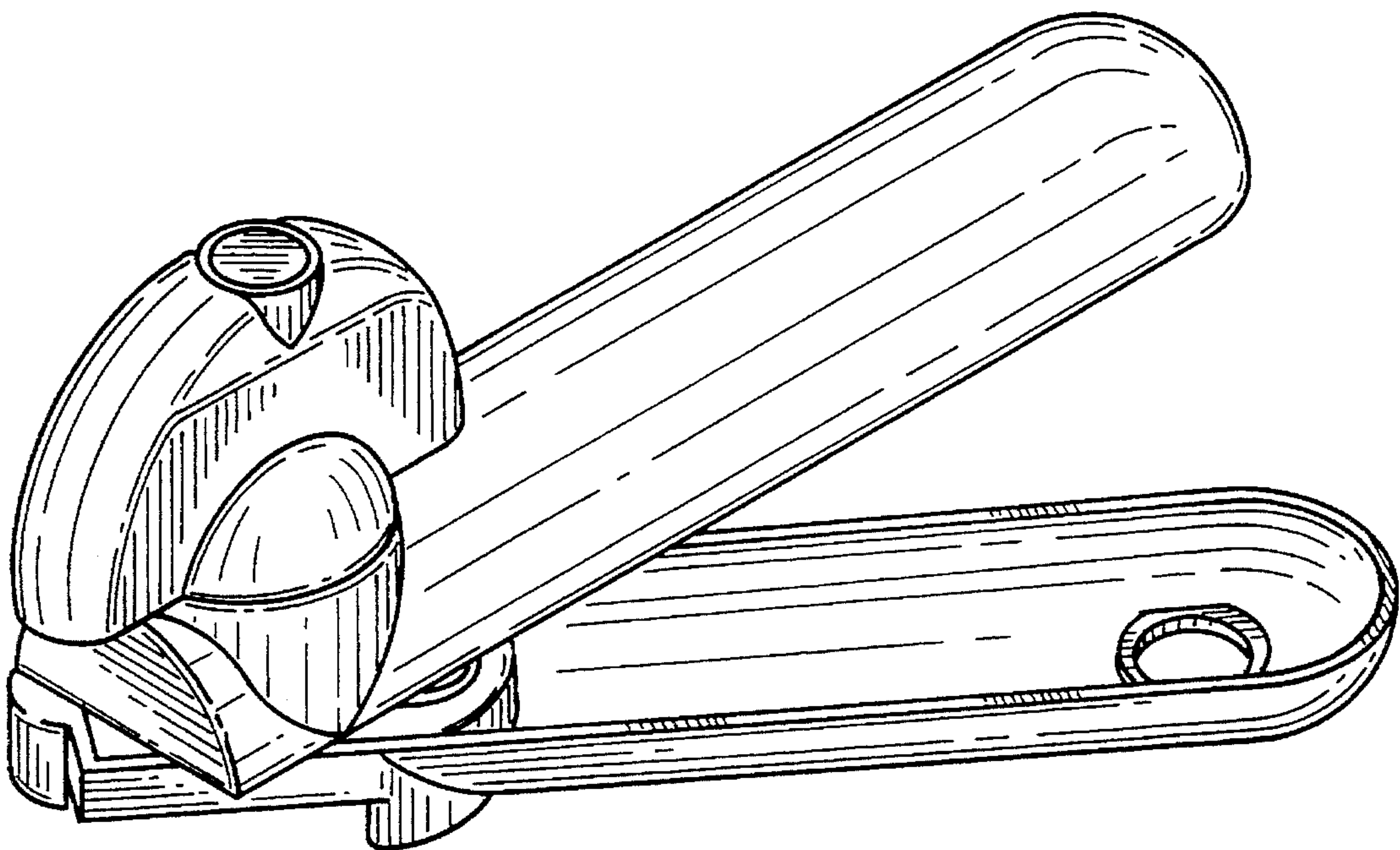


FIG. 7

FIG. 8



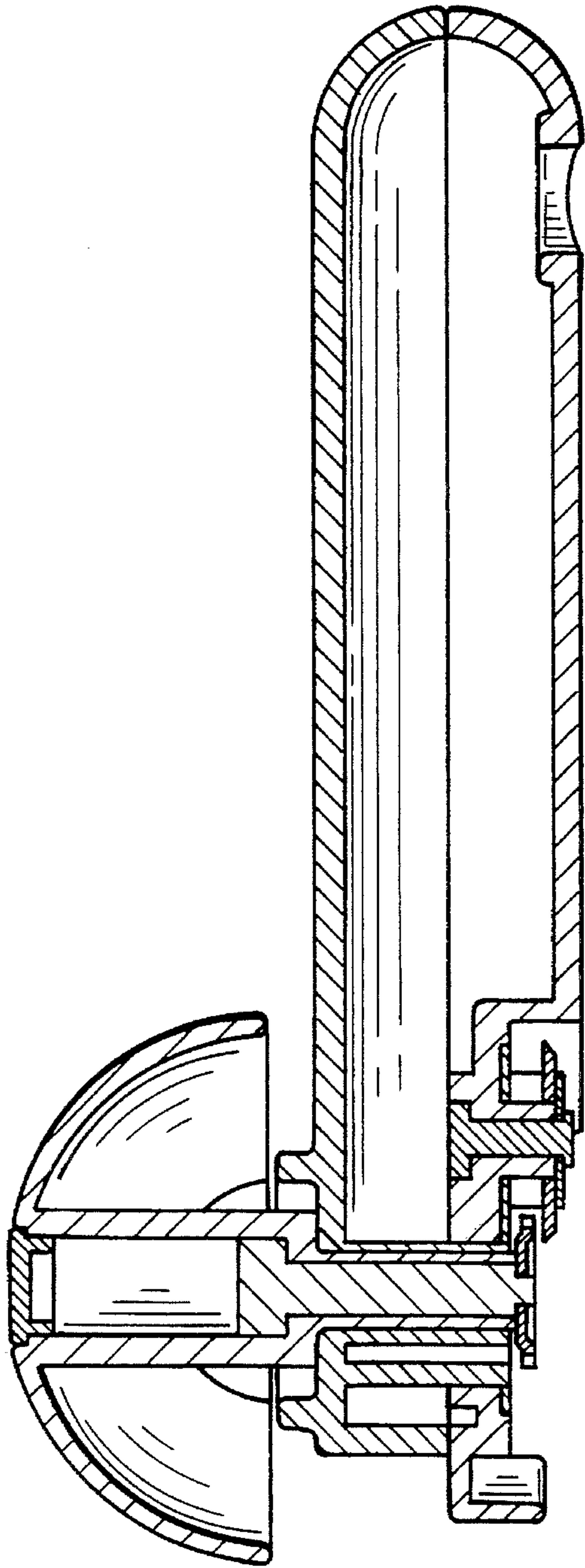


FIG. 9

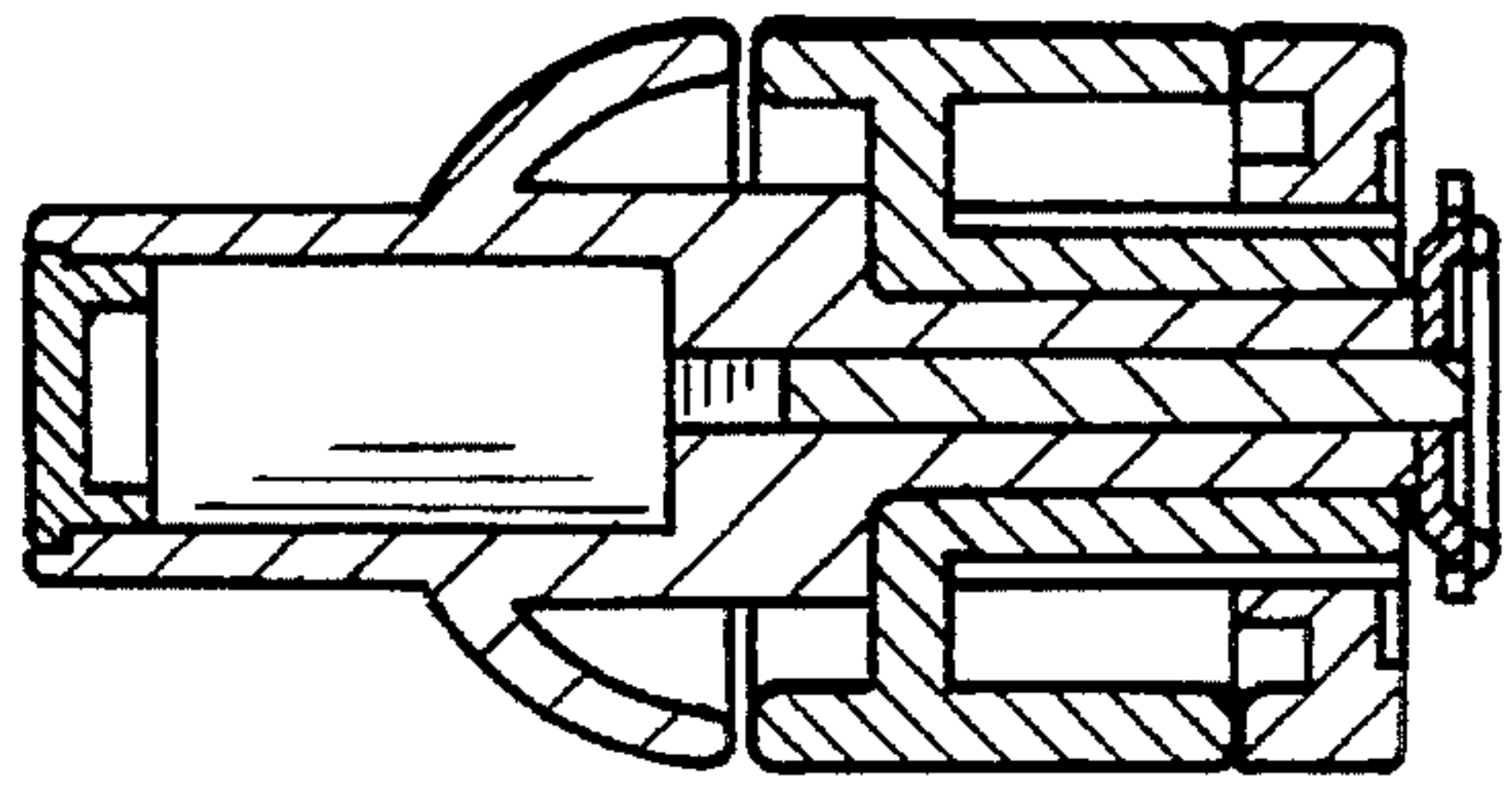


FIG. 10