



US00D366196S

# United States Patent [19]

Gulu et al.

[11] Patent Number: **Des. 366,196**

[45] Date of Patent: **\*\*Jan. 16, 1996**

[54] **INSULATION HANDLER**  
[76] Inventors: **Nick Gulu; Margaret B. Gulu**, both of  
18652 Bert Rd., Riverside, Calif. 92508

4,124,241 11/1978 Romero .  
4,210,353 7/1980 Koontz .  
4,249,764 2/1981 Gödeke .  
4,332,409 6/1982 Stachowicz .

[\*\*] Term: **14 Years**

*Primary Examiner*—Prabhakar G. Deshmukh  
*Assistant Examiner*—Richelle Shelton

[21] Appl. No.: **31,647**

[57] **CLAIM**

[22] Filed: **Dec. 1, 1994**

The ornamental design for an insulation handler, as shown and described.

[52] U.S. Cl. .... **D8/14; D8/13**

[58] Field of Search ..... D8/14, 13; 56/400.1,  
56/400.21; 294/50, 50.5, 50.6, 52, 55.5;  
D7/669, 683

**DESCRIPTION**

FIG. 1 is a front elevational view of an insulation handler showing our new design;  
FIG. 2 is a rear elevational view thereof;  
FIG. 3 is a left side elevational view thereof;  
FIG. 4 is a right side elevational view thereof;  
FIG. 5 is a top plan view thereof; and,  
FIG. 6 is a bottom plan view thereof.

[56] **References Cited**

**U.S. PATENT DOCUMENTS**

D. 258,940	4/1981	Zelinski	.....	D8/13 X
D. 275,639	9/1984	Kramer	.....	D7/683
D. 292,261	10/1987	Mitton		
379,951	3/1888	Glasgow	.....	294/55.5 X
1,302,375	4/1919	Jack	.....	294/55.5 X

**1 Claim, 3 Drawing Sheets**

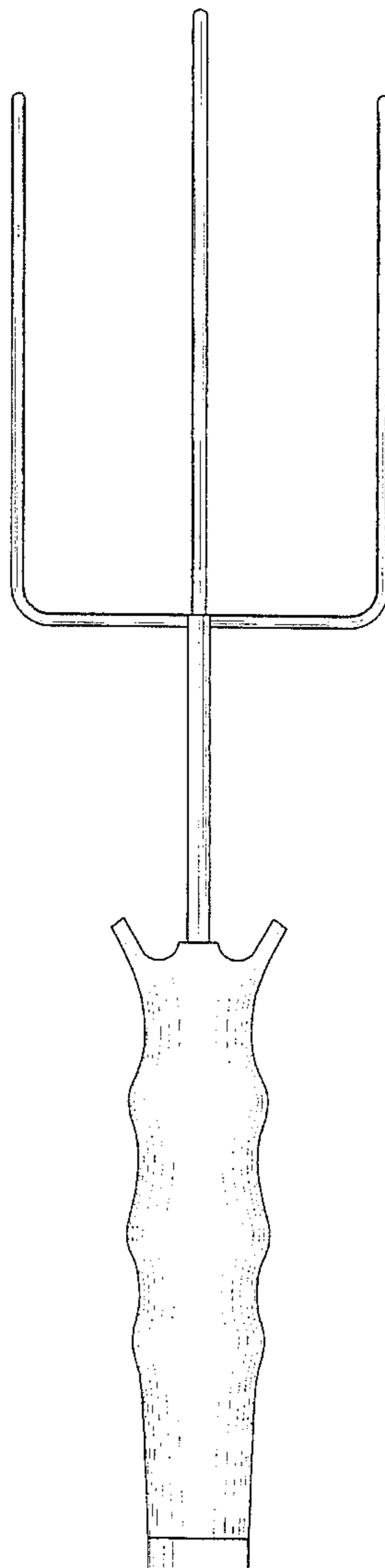


FIG. 1

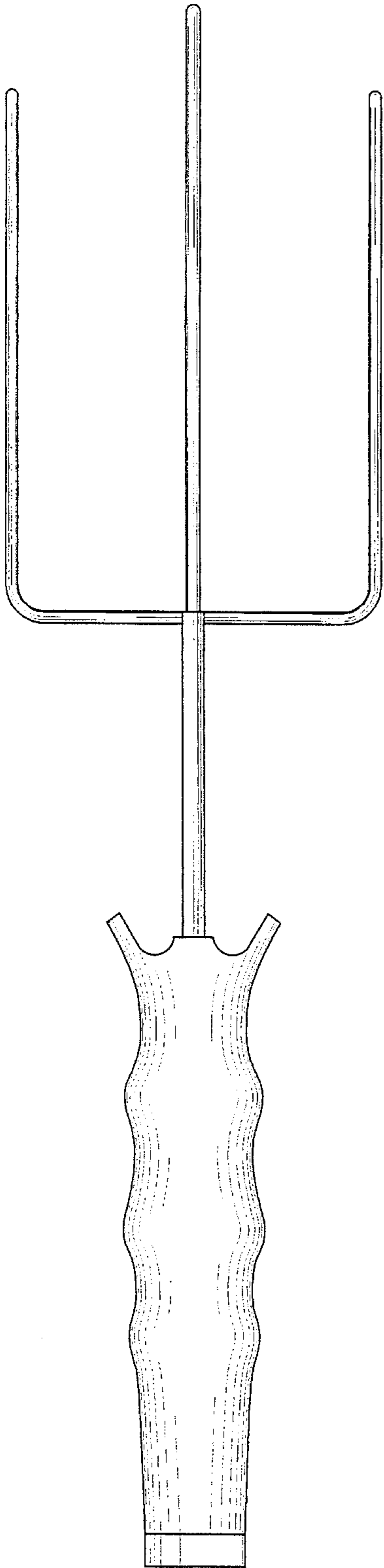


FIG. 2

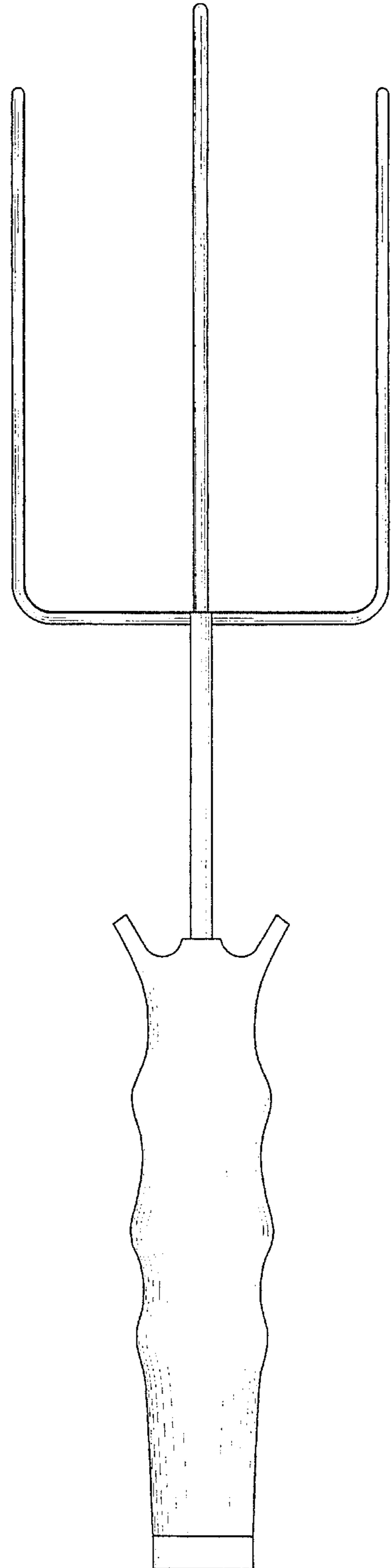


FIG. 3

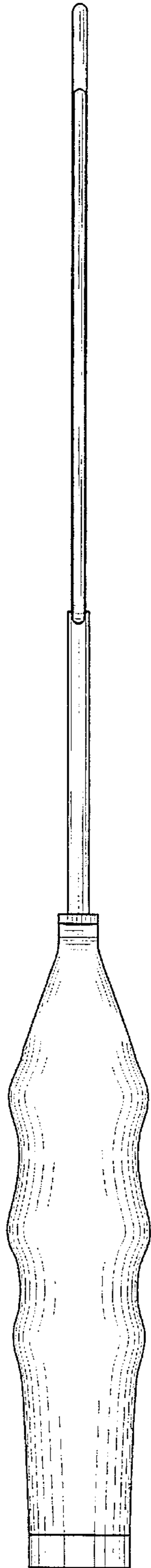


FIG. 4

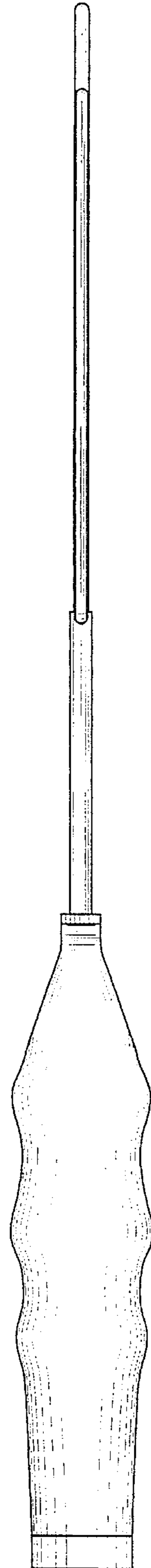


FIG. 5

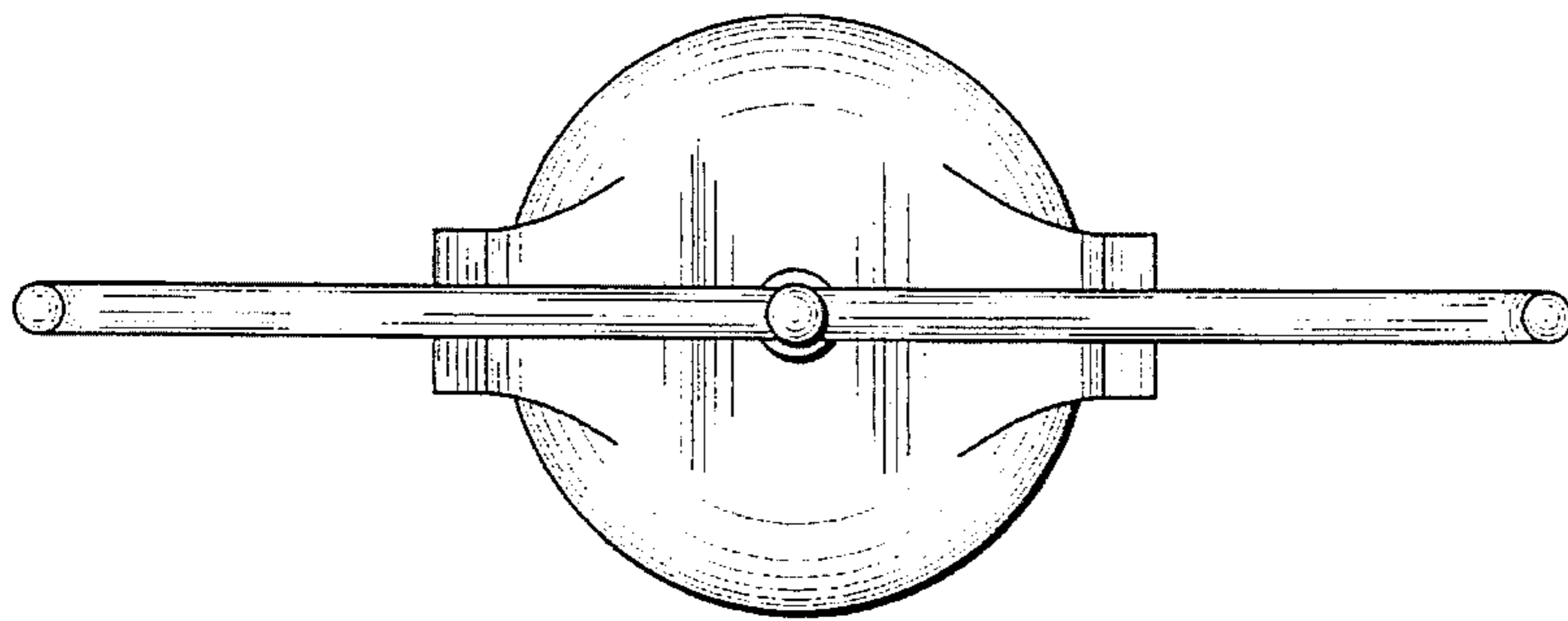


FIG. 6

