



US00D366195S

# United States Patent [19]

Hammond et al.

[11] Patent Number: **Des. 366,195**

[45] Date of Patent: **\*\*Jan. 16, 1996**

[54] FURNITURE MOVER

[76] Inventors: **Lawrence J. Hammond; Nancy E. Hammond**, both of 31 Brescia Blvd., Highland, N.Y. 12528

[\*\*] Term: **14 Years**

[21] Appl. No.: **31,280**

[22] Filed: **Nov. 21, 1994**

[52] U.S. Cl. .... **D8/14; D34/28; D8/370**

[58] Field of Search ..... **D8/370, 14; D34/28, D34/45, 35; 248/126, 463.1, 112, 107, 153, 175, 153, 48.1, 249, 465.1, 302**

[56] **References Cited**

**U.S. PATENT DOCUMENTS**

D. 286,972	12/1986	Crews	.....	D8/14
D. 290,926	7/1987	Embrea	.....	D8/14
D. 296,588	7/1988	Thompson	.....	D8/14 X
D. 317,742	6/1991	Miller	.....	D8/370 X
945,520	1/1910	Greenwood	.....	248/175
2,697,574	12/1954	Bricker	.....	248/153 X
3,462,166	9/1969	Fuhrmann	.....	280/33.99
3,761,107	9/1973	Docherty et al.	.....	280/34 B
3,854,544	12/1974	Kolchev	.....	180/14 E
3,942,813	3/1976	Dombroski	.....	280/47.13 R

4,979,759	12/1990	Solovay	.....	248/175 X
5,127,693	7/1992	Pavit	.....	294/15
5,294,136	3/1994	Dick et al.	.....	280/5.2

*Primary Examiner*—A. Hugo Word  
*Assistant Examiner*—Cynthia E. Ramirez  
*Attorney, Agent, or Firm*—Kevin A. Sembrat

[57] **CLAIM**

The ornamental design for a furniture mover, as shown and described.

**DESCRIPTION**

FIG. 1 is a front, top and right side perspective view of a furniture mover showing our new design;

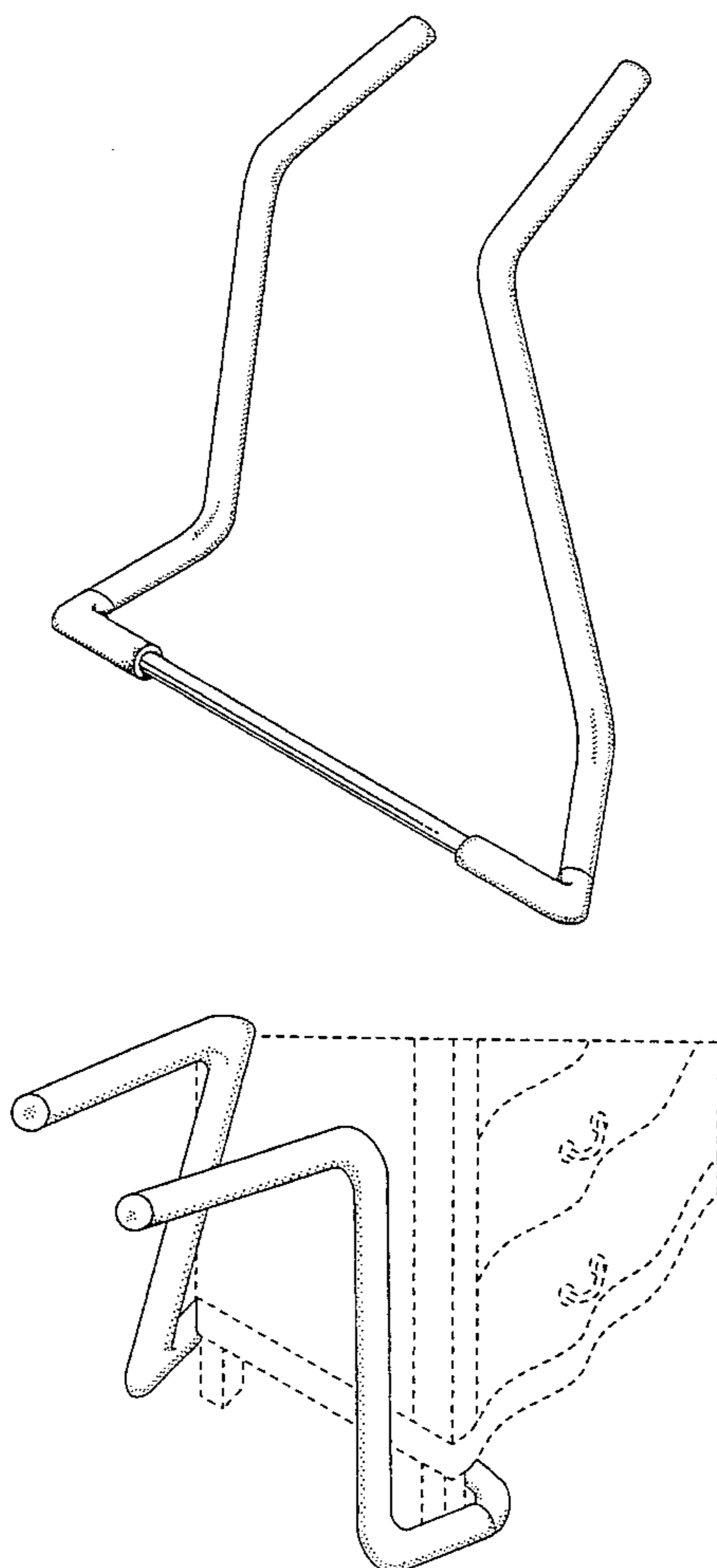
FIG. 2 is a rear, top and left side perspective view thereof, shown within a broken line partial illustration of a piece of furniture;

FIG. 3 is a right side elevational view thereof, with the left side constituting a mirror-image of the right side; and,

FIG. 4 is a front elevational view thereof.

The broken line illustration of the piece of furniture is for illustrative purposes only and forms no part of the claimed design. The undisclosed bottom of the furniture mover is plain and unornamented.

**1 Claim, 2 Drawing Sheets**



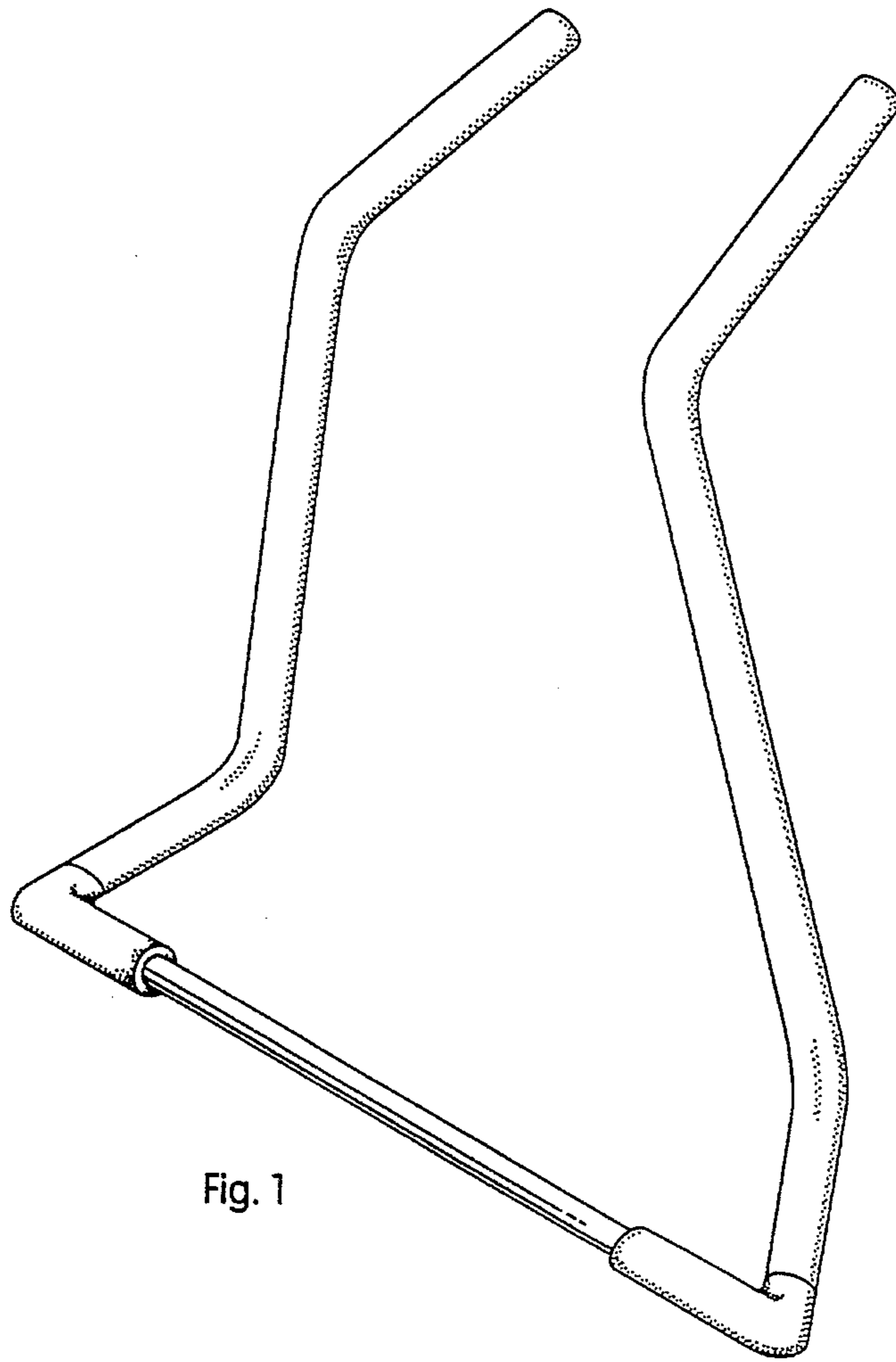


Fig. 1

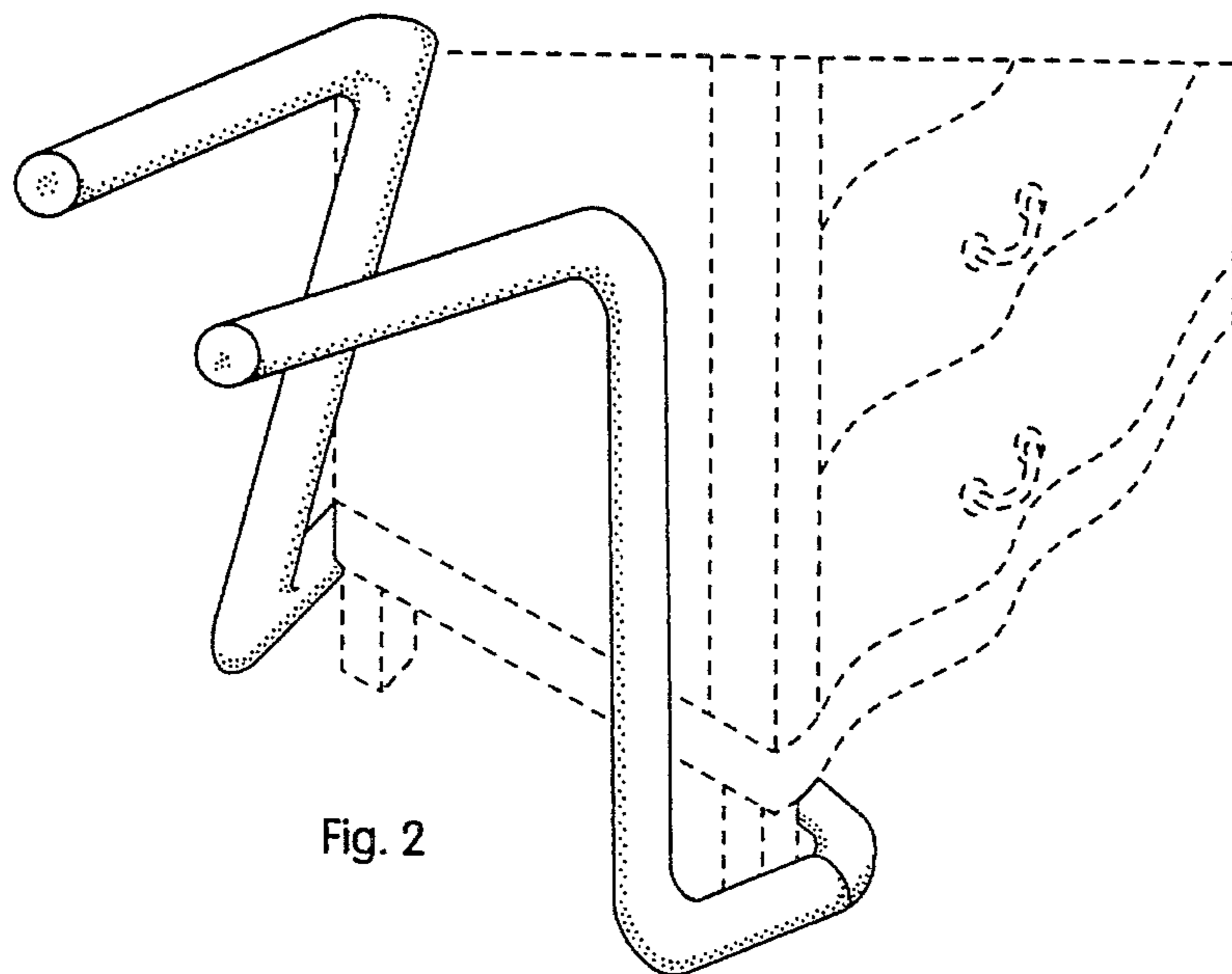


Fig. 2

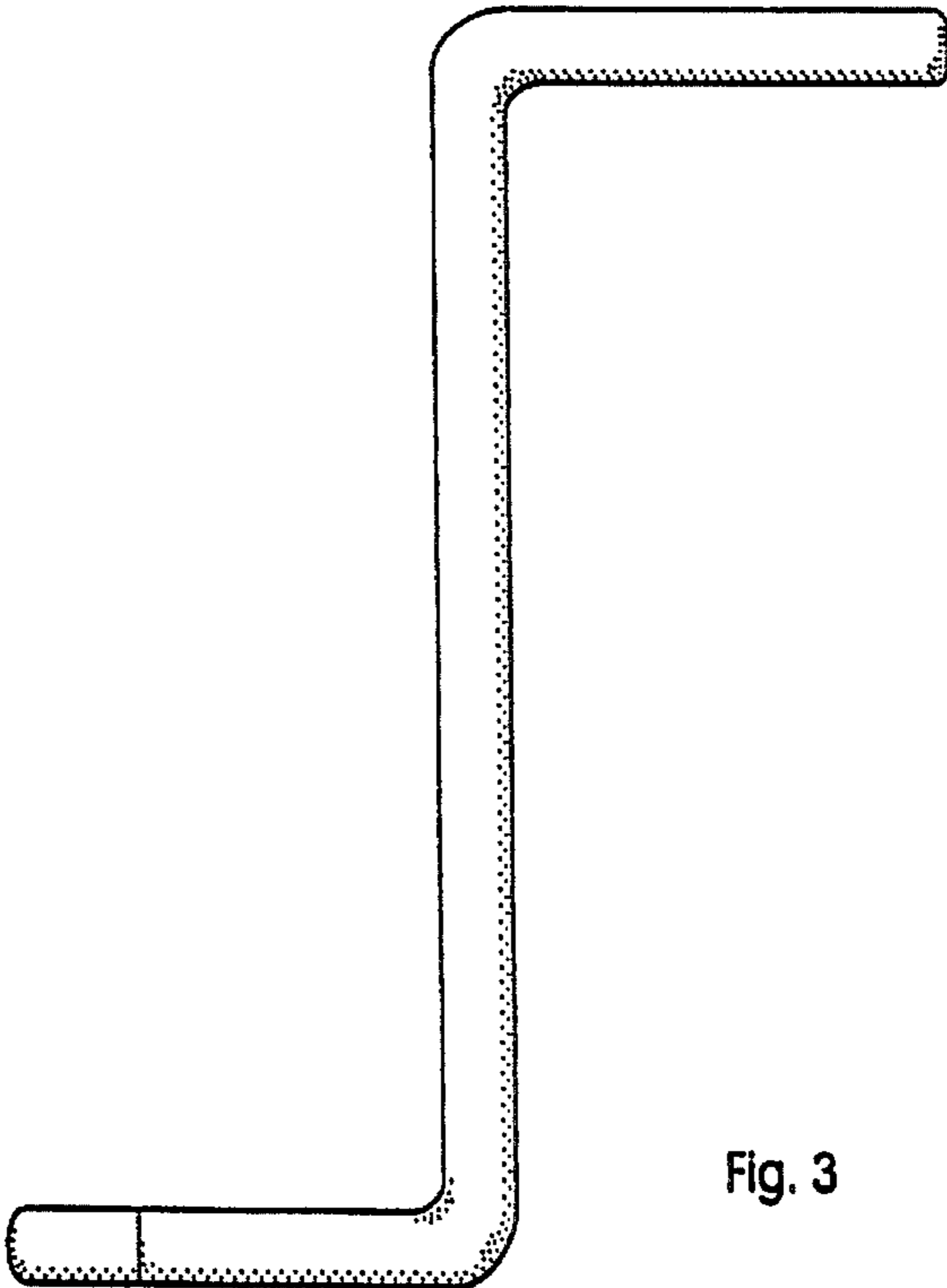


Fig. 3

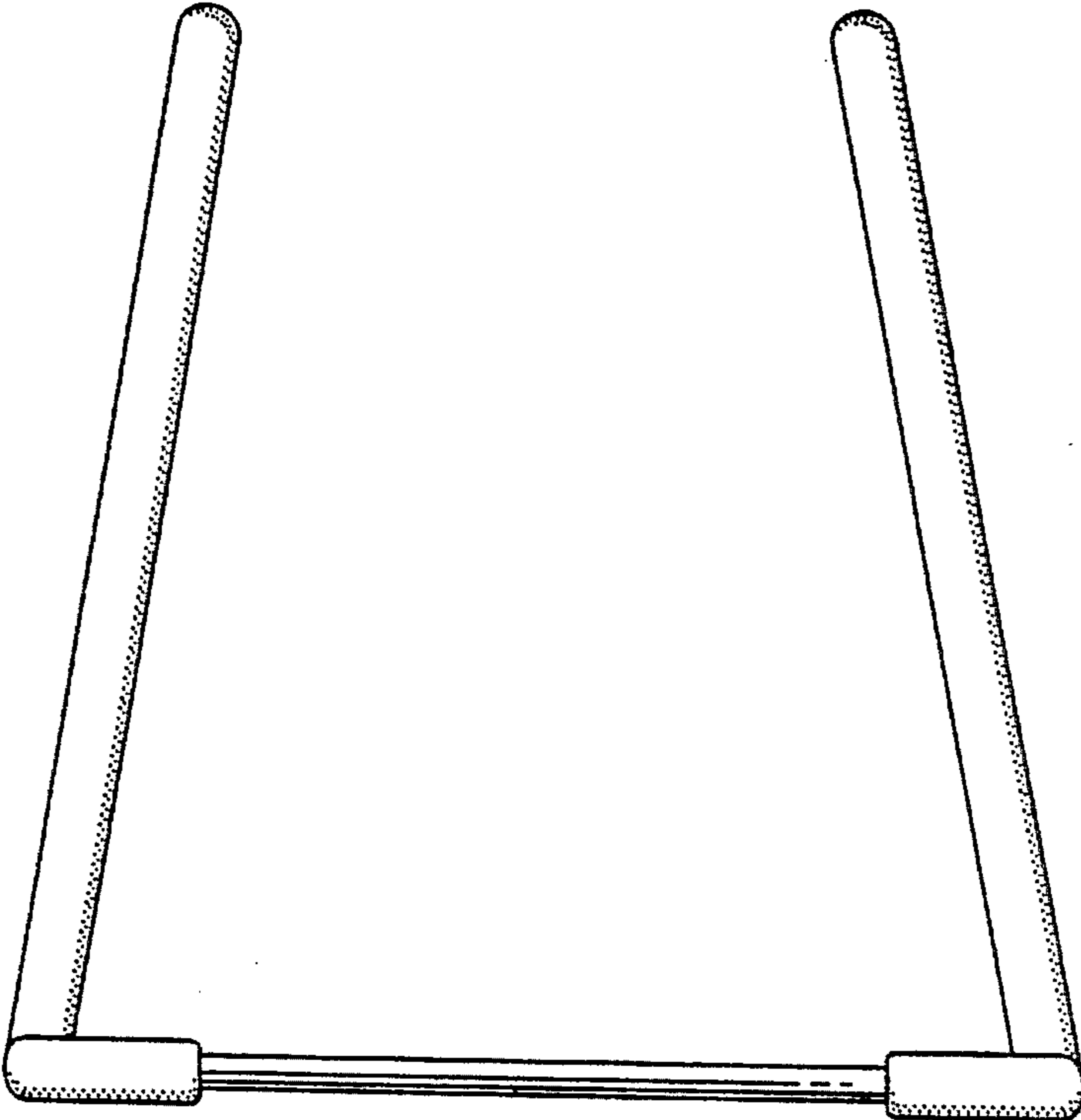


Fig. 4