



US00D366192S

United States Patent [19]

Dunning et al.

[11] Patent Number: Des. 366,192

[45] Date of Patent: **Jan. 16, 1996

[54] POLYMER INJECTION WAND

[76] Inventors: **Levant G. Dunning**, 8621 Coolwoods Way, Sacramento, Calif. 95828; **Ardith A. Dunning**, 200 Cappucino Way, Sacramento, Calif. 95838

[**] Term: **14 Years**

[21] Appl. No.: **32,364**

[22] Filed: **Dec. 16, 1994**

[52] U.S. Cl. **D8/2**

[58] Field of Search D7/669; D8/1, D8/2; 111/7.1, 118, 127; 222/461, 529, 536

3,040,680 6/1962 McCluskey 111/7.4
 3,118,402 1/1964 Nelson 111/7.1
 3,136,091 6/1964 Phelps et al. D8/2 X
 3,399,639 9/1968 Enblom D8/2 X
 3,410,457 11/1968 Brown 222/191
 3,916,564 11/1975 Crowell, Sr. 47/48.5
 4,300,309 11/1981 Mincy 47/48.5
 4,705,218 11/1987 Daniels 239/271
 4,745,706 5/1988 Muza et al. 47/47
 4,934,287 6/1990 Guin et al. 111/7.1
 5,050,340 9/1991 Seifert 47/48.5
 5,239,773 8/1993 Doolittle, Jr. 47/57.5

Primary Examiner—Antoine Duval Davis
Attorney, Agent, or Firm—Bernhard Kreten

[57] CLAIM

The ornamental design for a polymer injection wand, as shown and described.

DESCRIPTION

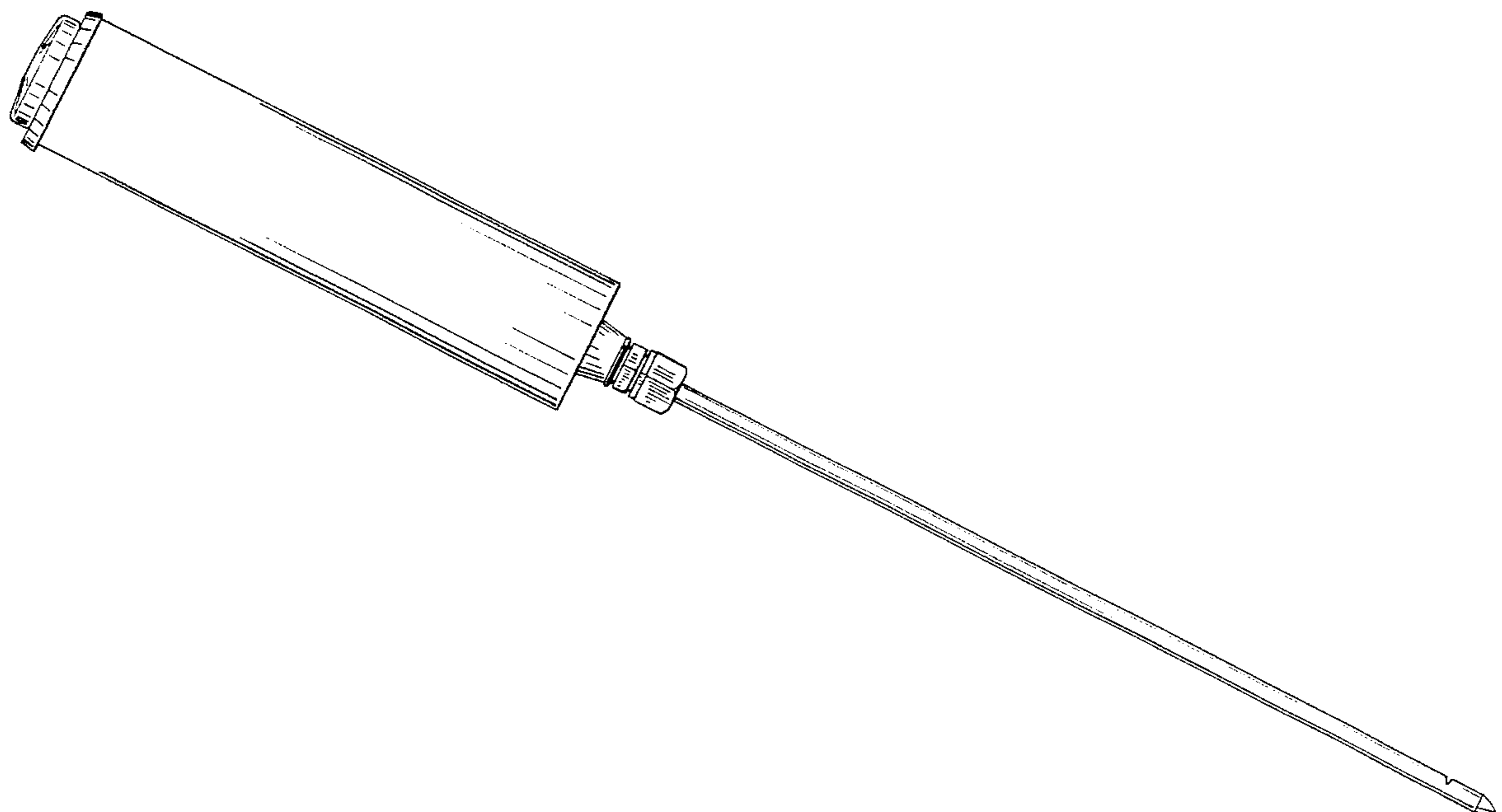
FIG. 1 is a front view of a polymer injection wand showing my new design;
 FIG. 2 is a top view thereof;
 FIG. 3 is a right side view thereof, the left side being a mirror image thereof;
 FIG. 4 is a rear view thereof;
 FIG. 5 is a bottom view thereof;
 FIG. 6 is a perspective view thereof shown in an alternate position; and,
 FIG. 7 is an exploded parts view thereof.

1 Claim, 4 Drawing Sheets

[56] References Cited

U.S. PATENT DOCUMENTS

D. 161,696 1/1951 Lee D8/2
 D. 232,296 8/1974 McNair D7/669
 D. 263,271 3/1982 Kalb D7/669
 689,248 12/1901 Timm .
 1,583,900 5/1926 Schmittutz .
 1,861,254 5/1931 Arens .
 1,981,122 11/1934 Reynard 47/49
 2,290,363 7/1942 Stirton 47/57.5
 2,375,860 5/1945 Markham 47/49
 2,875,713 3/1959 Shoffner 111/7.1
 2,885,121 5/1959 Littleton 222/162
 2,893,334 7/1959 Snyder 111/7.1
 2,948,238 8/1960 Hoffman 111/7.4



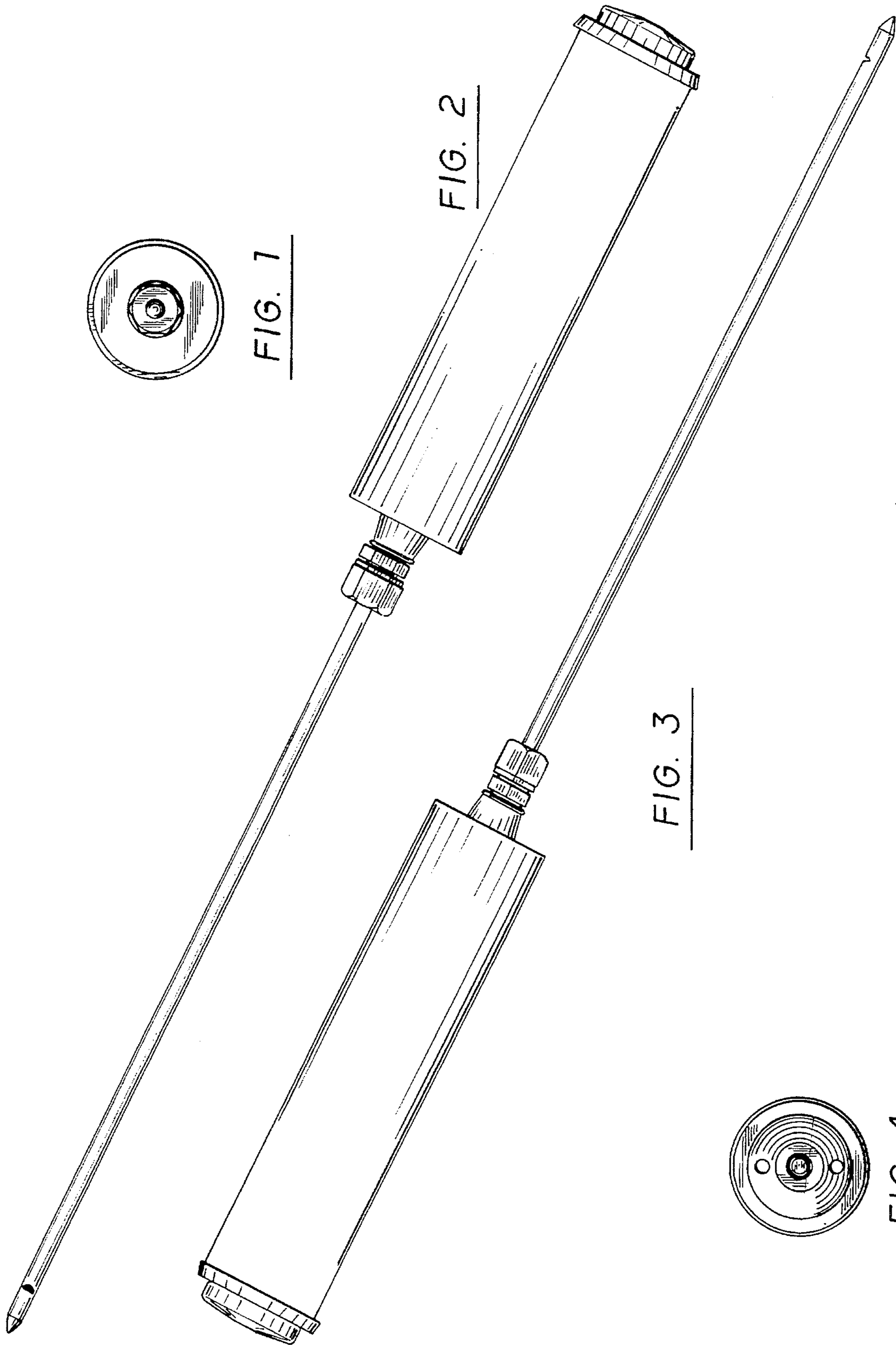


FIG. 1

FIG. 2

FIG. 3

FIG. 4

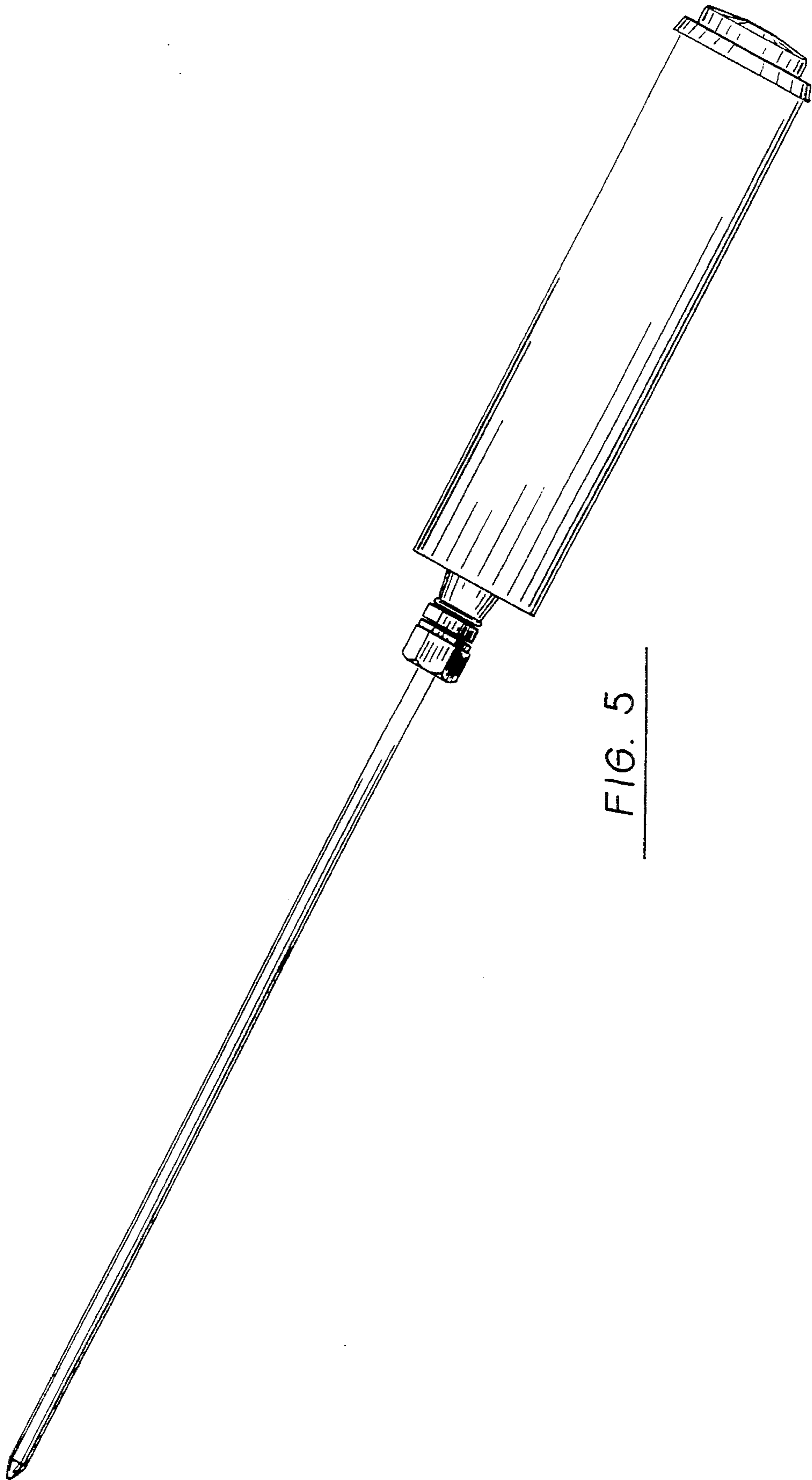


FIG. 5

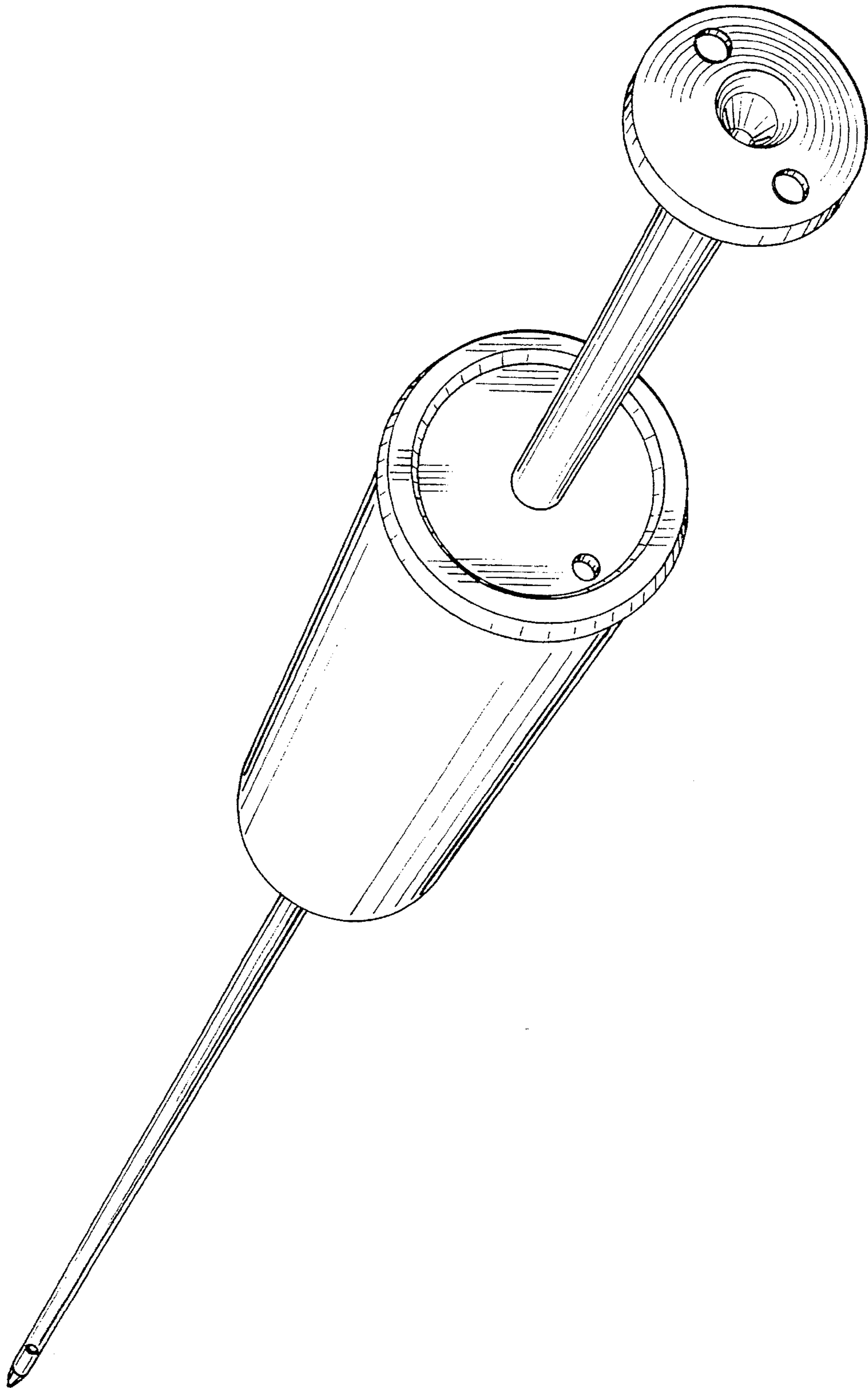


FIG. 6

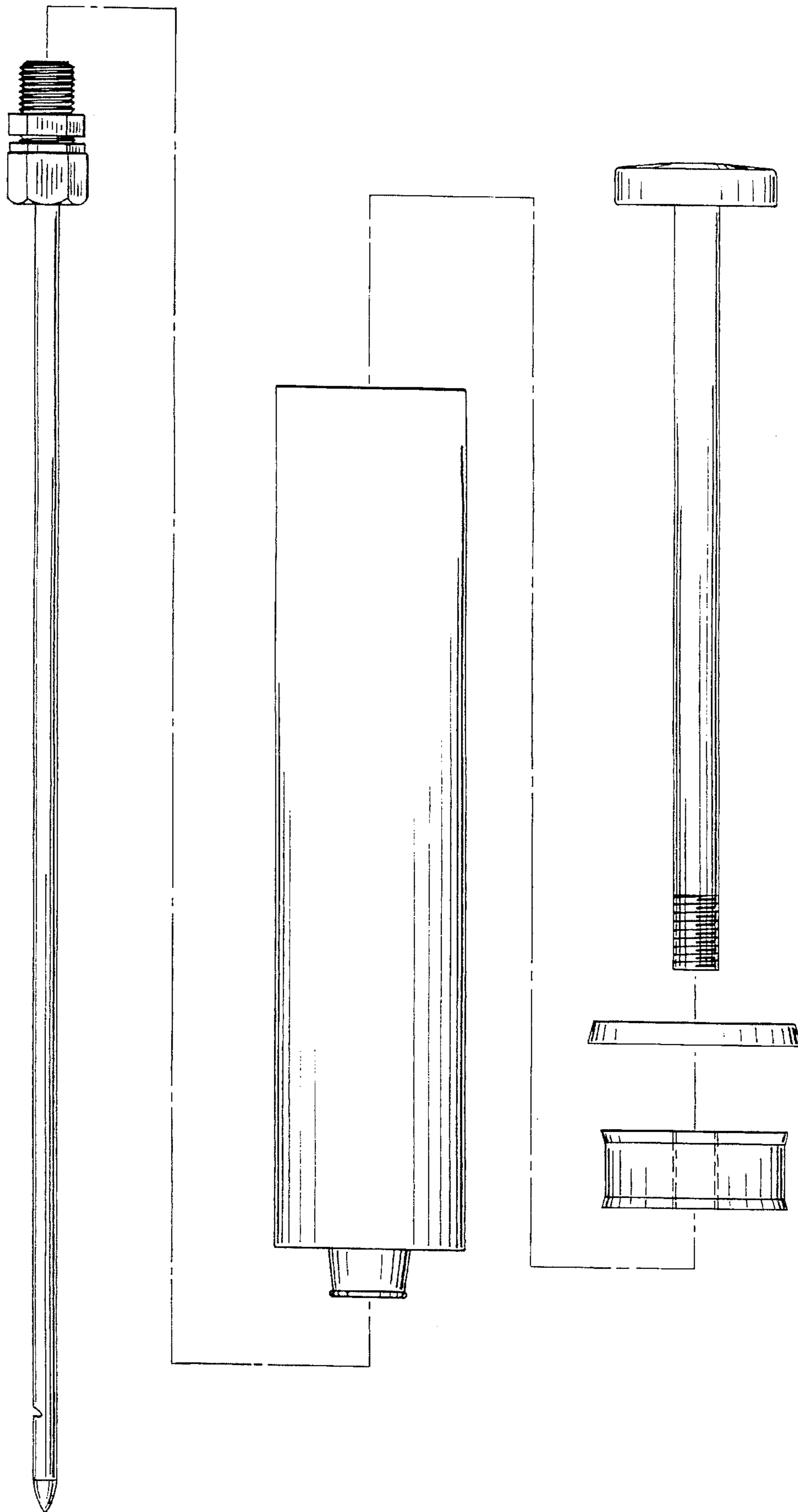


FIG. 7