



US00D366189S

United States Patent [19]

Bidlack

[11] **Patent Number: Des. 366,189**

[45] **Date of Patent: **Jan. 16, 1996**

[54] **DRAINING PRESS FOR CANNED GOODS**

[76] Inventor: **David Bidlack**, R.R. #1, Box 41A,
Ulster, Pa. 18850

[**] Term: **14 Years**

[21] Appl. No.: **28,658**

[22] Filed: **Sep. 19, 1994**

[52] **U.S. Cl.** **D7/666**

[58] **Field of Search** D7/665, 666, 686,
D7/687; 99/495; 100/104, 110, 116, 125,
234, 243; 294/16

[56] **References Cited**

U.S. PATENT DOCUMENTS

D. 330,313 10/1992 Green D7/666
5,272,969 12/1993 McDonald D7/666 X

Primary Examiner—Terry A. Wallace
Attorney, Agent, or Firm—Harold H. Dutton, Jr.

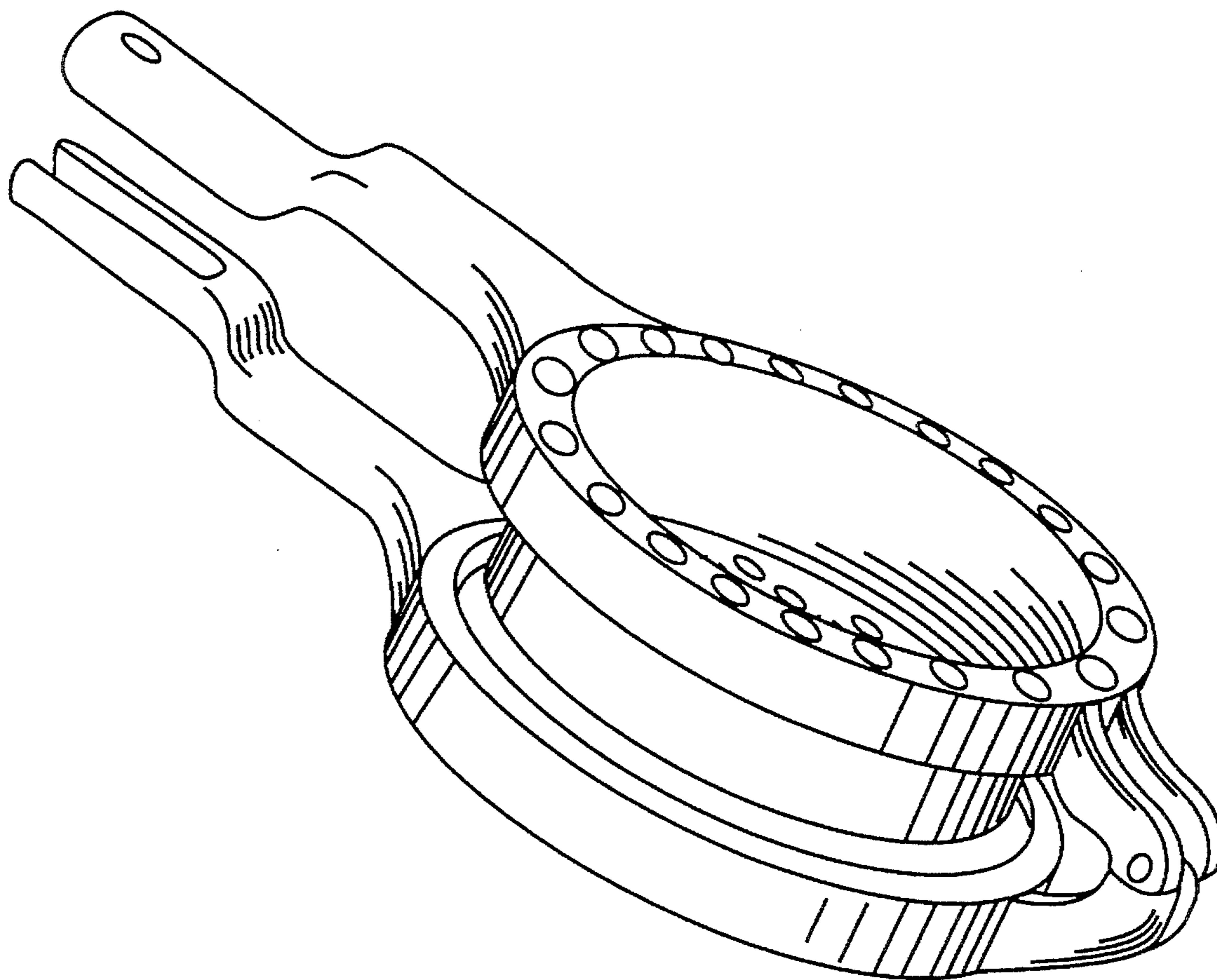
[57] **CLAIM**

The ornamental design for a draining press for canned goods, as shown and described.

DESCRIPTION

FIG. 1 is a perspective view of a draining press for canned goods showing my new design;
FIG. 2 is a top plan view thereof;
FIG. 3 is a bottom plan view thereof;
FIG. 4 is a left side view thereof;
FIG. 5 is a right side view thereof;
FIG. 6 is a front view thereof.
The side opposite to that shown in FIG. 6 is a mirror image thereof.

1 Claim, 3 Drawing Sheets



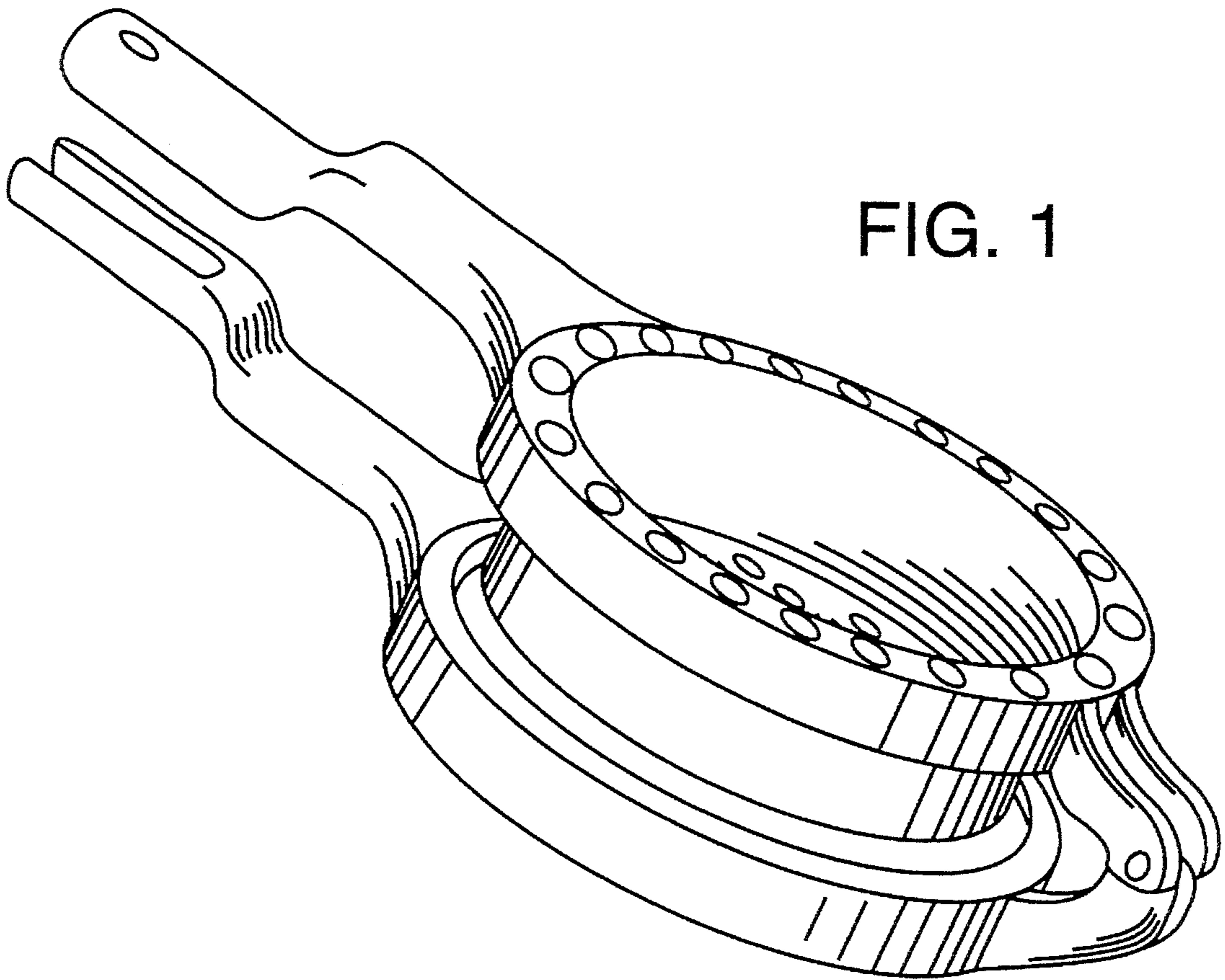


FIG. 1

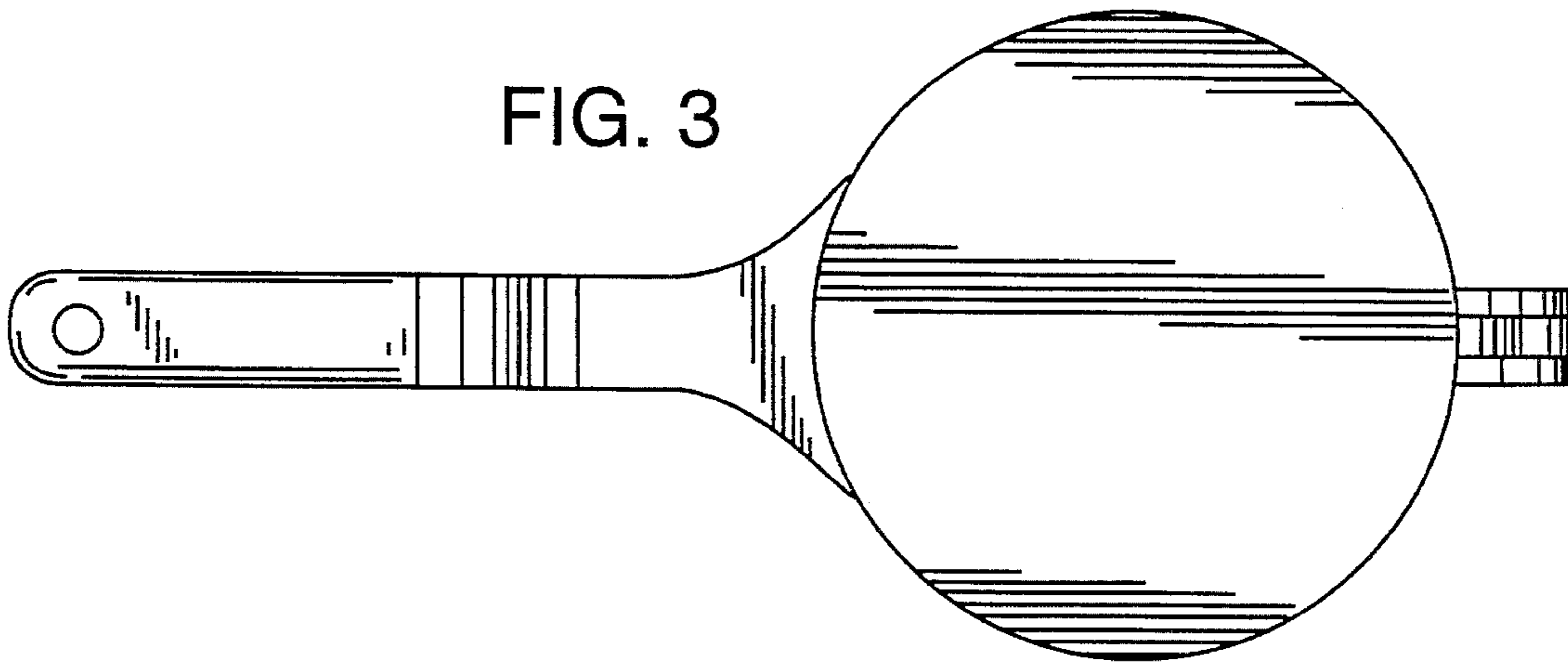
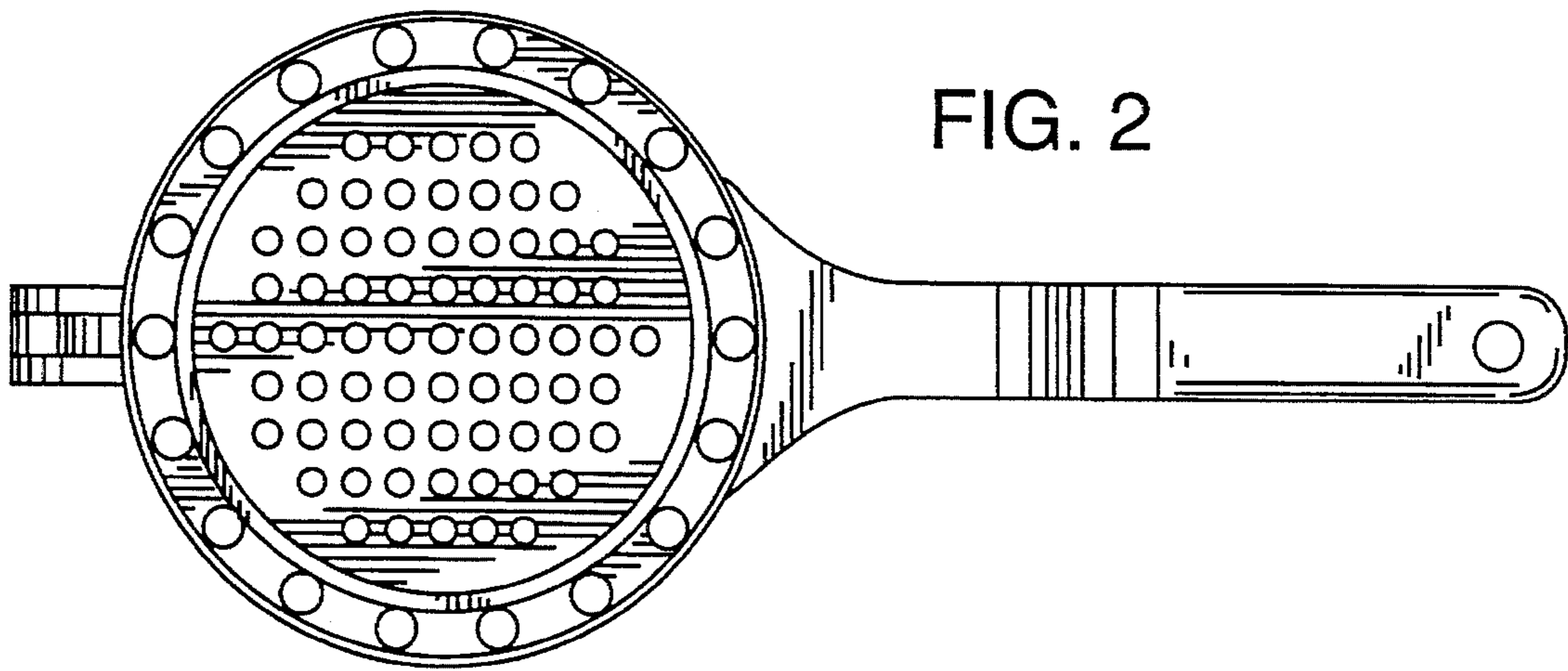


FIG. 4

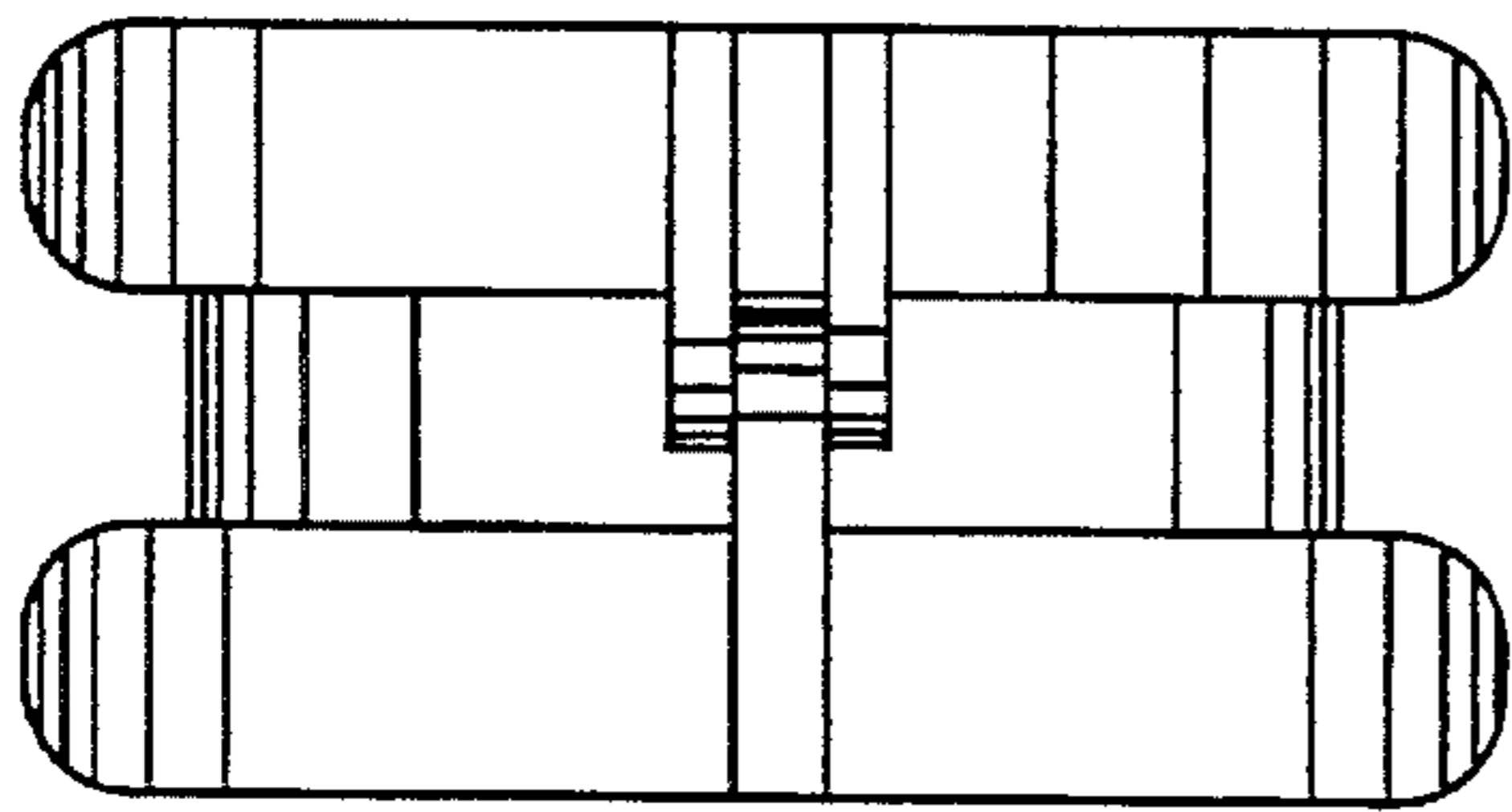


FIG. 5

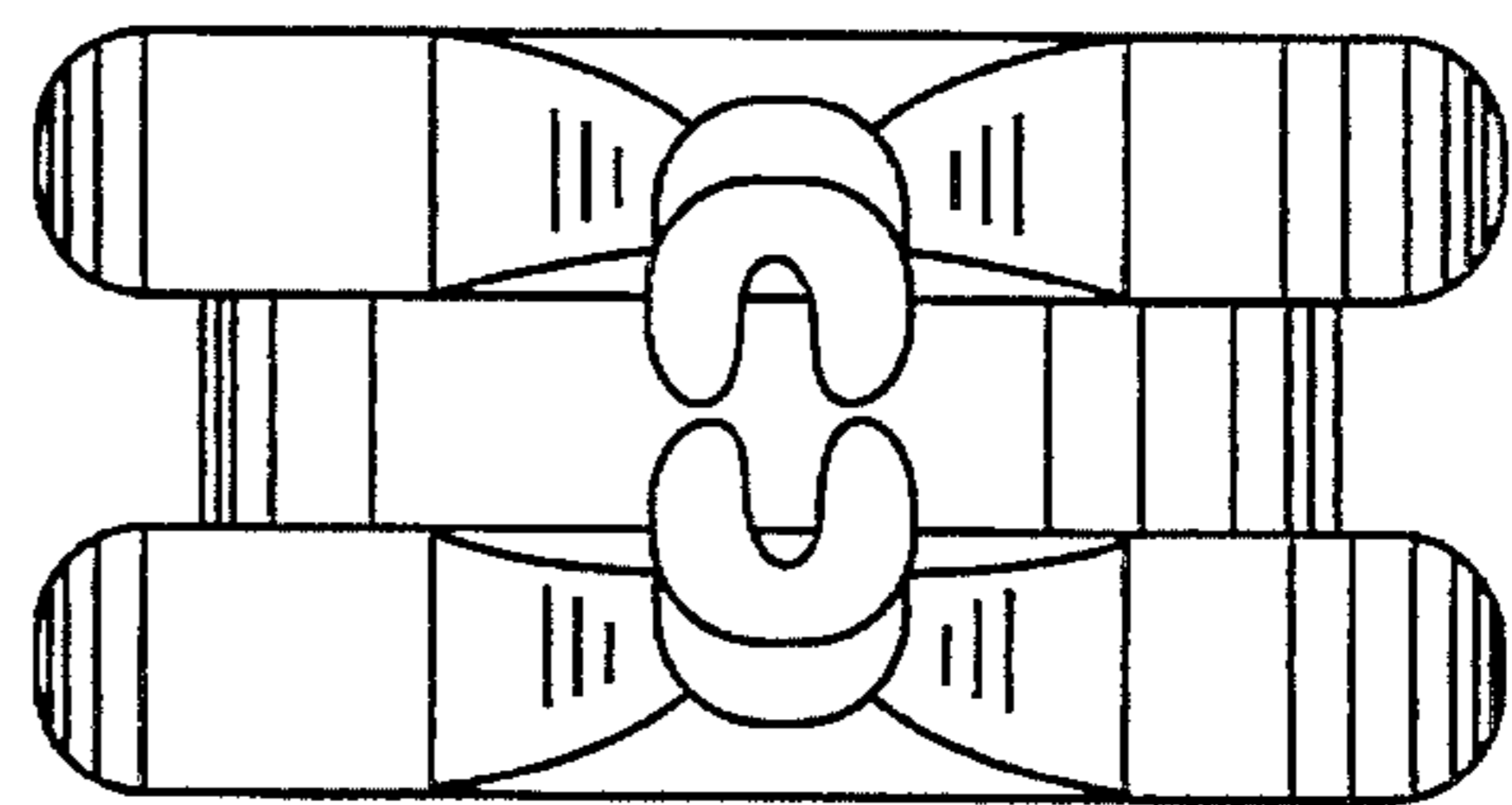


FIG. 6

