



US00D366188S

United States Patent [19]
Norenberg

[11] **Patent Number: Des. 366,188**

[45] **Date of Patent: **Jan. 16, 1996**

[54] **COMBINED HOLDER AND PRESS FOR TEA-BAGS**

[76] Inventor: **Roger Norenberg**, Lillmossevägen 12, S-663 42 Skoghall, Sweden

[**] Term: **14 Years**

[21] Appl. No.: **28,252**

[22] Filed: **Sep. 9, 1994**

[30] **Foreign Application Priority Data**

Mar. 16, 1994 [SE] Sweden 94-0615

[52] **U.S. Cl.** **D7/666; D7/686**

[58] **Field of Search** D7/665, 666, 642, D7/683, 685, 686; 99/523; 100/133, 211, 234; 294/99.2

[56] **References Cited**

U.S. PATENT DOCUMENTS

2,822,680 2/1958 Lamping 100/234 X
3,669,013 6/1972 Stein 100/234 X

Primary Examiner—Terry A. Wallace

Attorney, Agent, or Firm—Nixon & Vanderhye

[57] **CLAIM**

The ornamental design for a combined holder and press for tea-bags, as shown and described.

DESCRIPTION

FIG. 1 is a right side elevational view of a combined holder and press for tea-bags showing my new design, with the left side elevational view being a mirror image;
FIG. 2 is a front elevational view;
FIG. 3 is a rear elevational view;
FIG. 4 is a top plan view, with the bottom plan view identical;
FIG. 5 is a top perspective view in a partially open position;
FIG. 6 is a top perspective view in a completely open position;
FIG. 7 is a bottom perspective view in a completely open position; and,
FIG. 8 is a bottom perspective view in a completely open position with the tea bag and cup shown in broken lines for illustrative purposes only and forming no part of the claimed design.

1 Claim, 5 Drawing Sheets

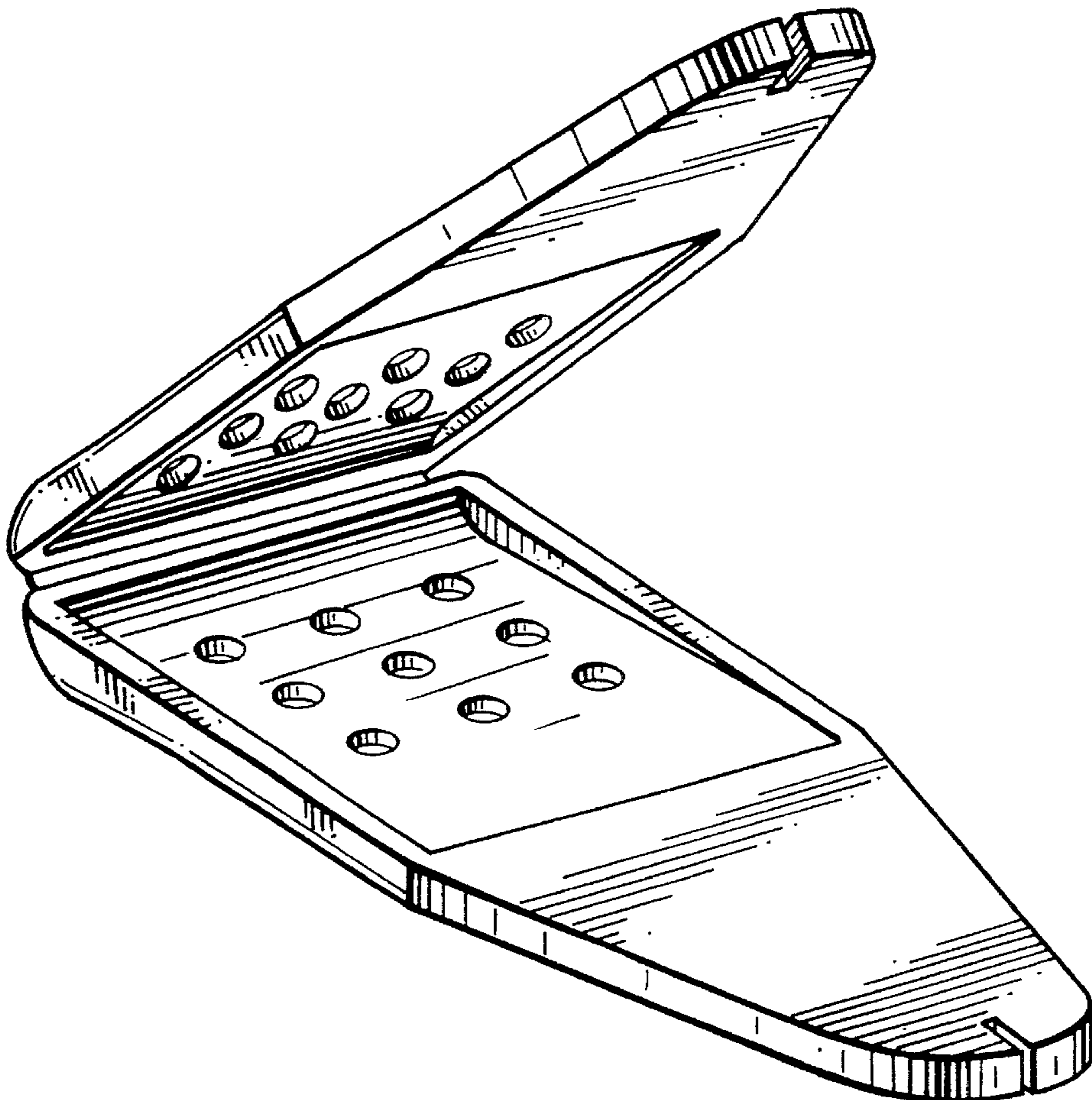


Fig. 1

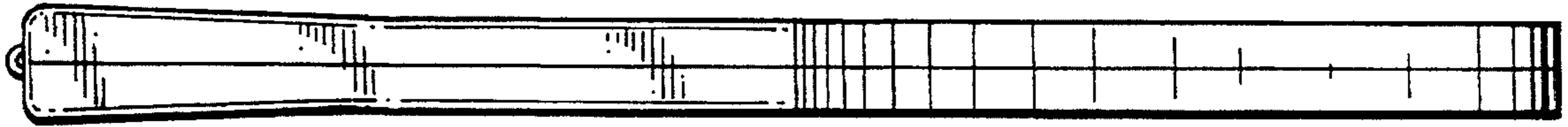


Fig. 2

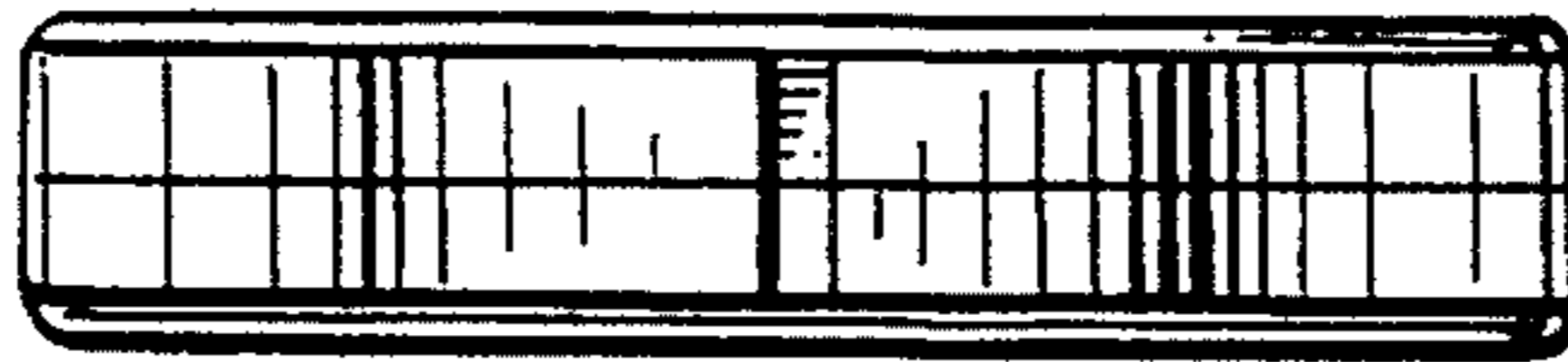
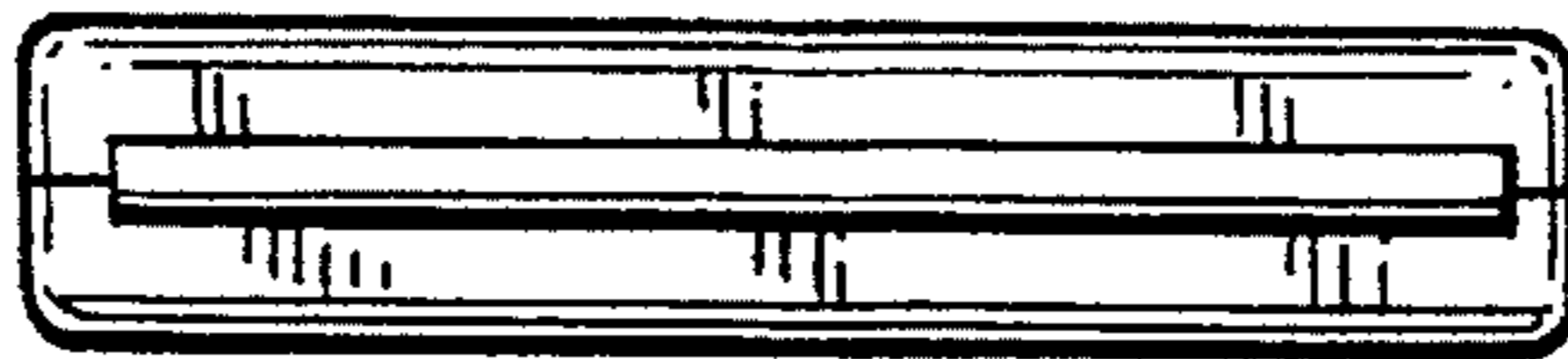


Fig. 3



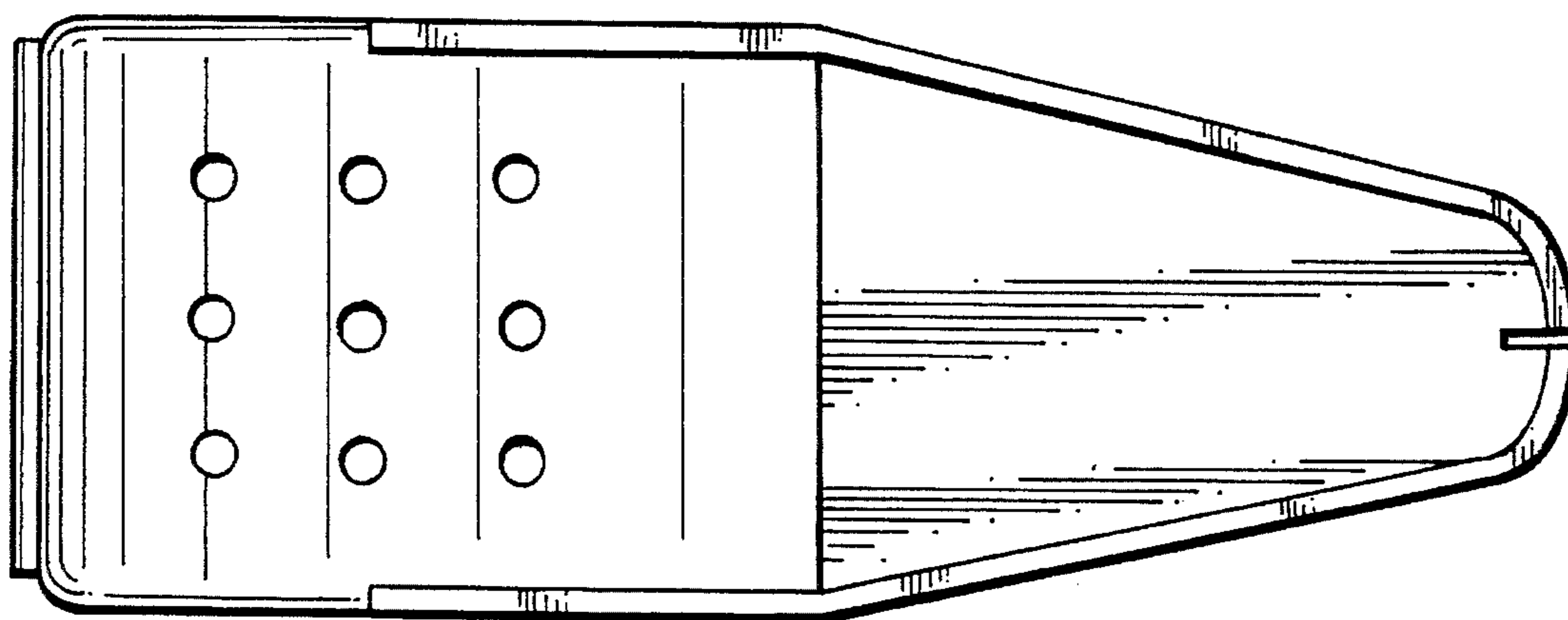
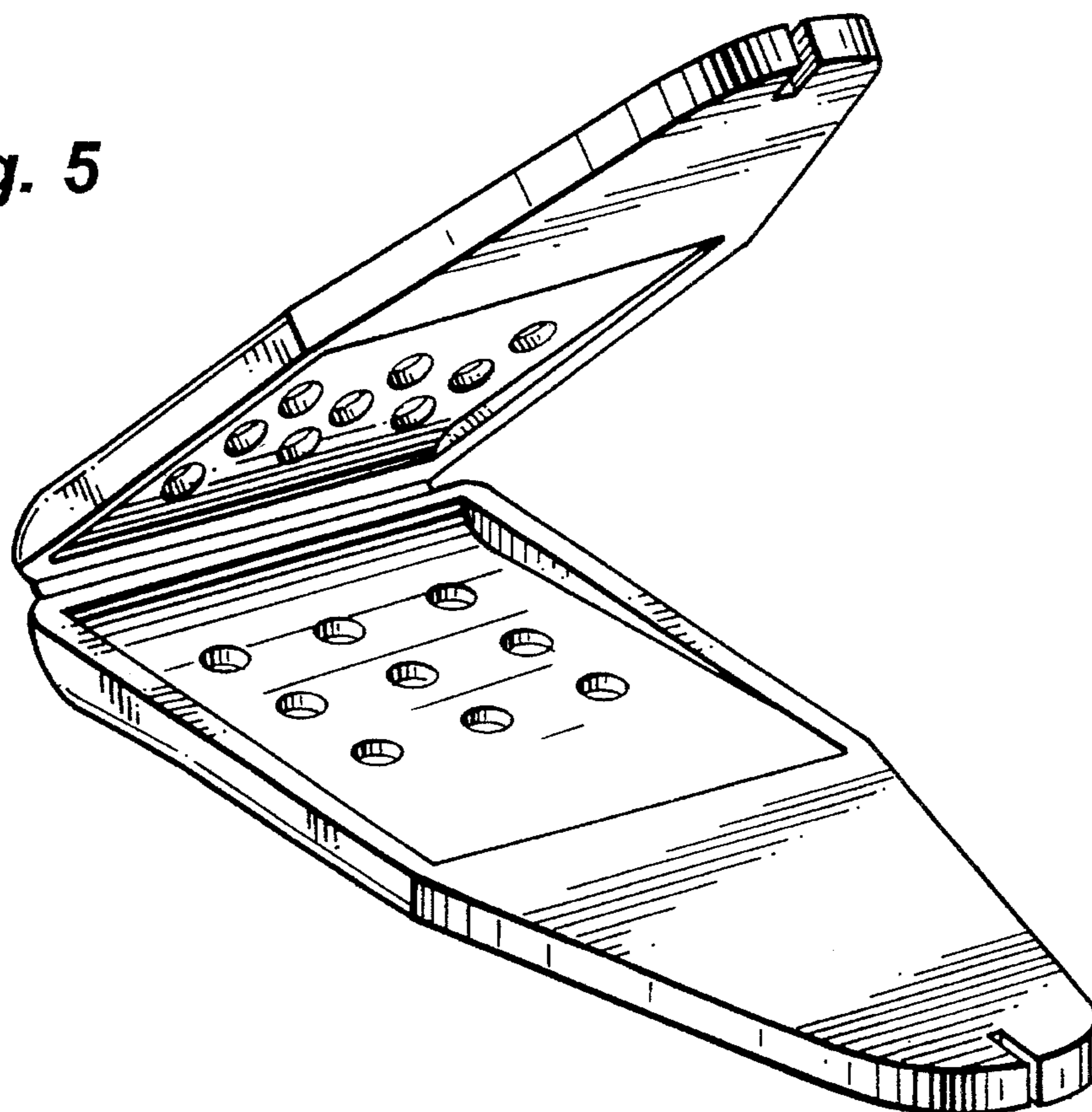


Fig. 4

Fig. 5



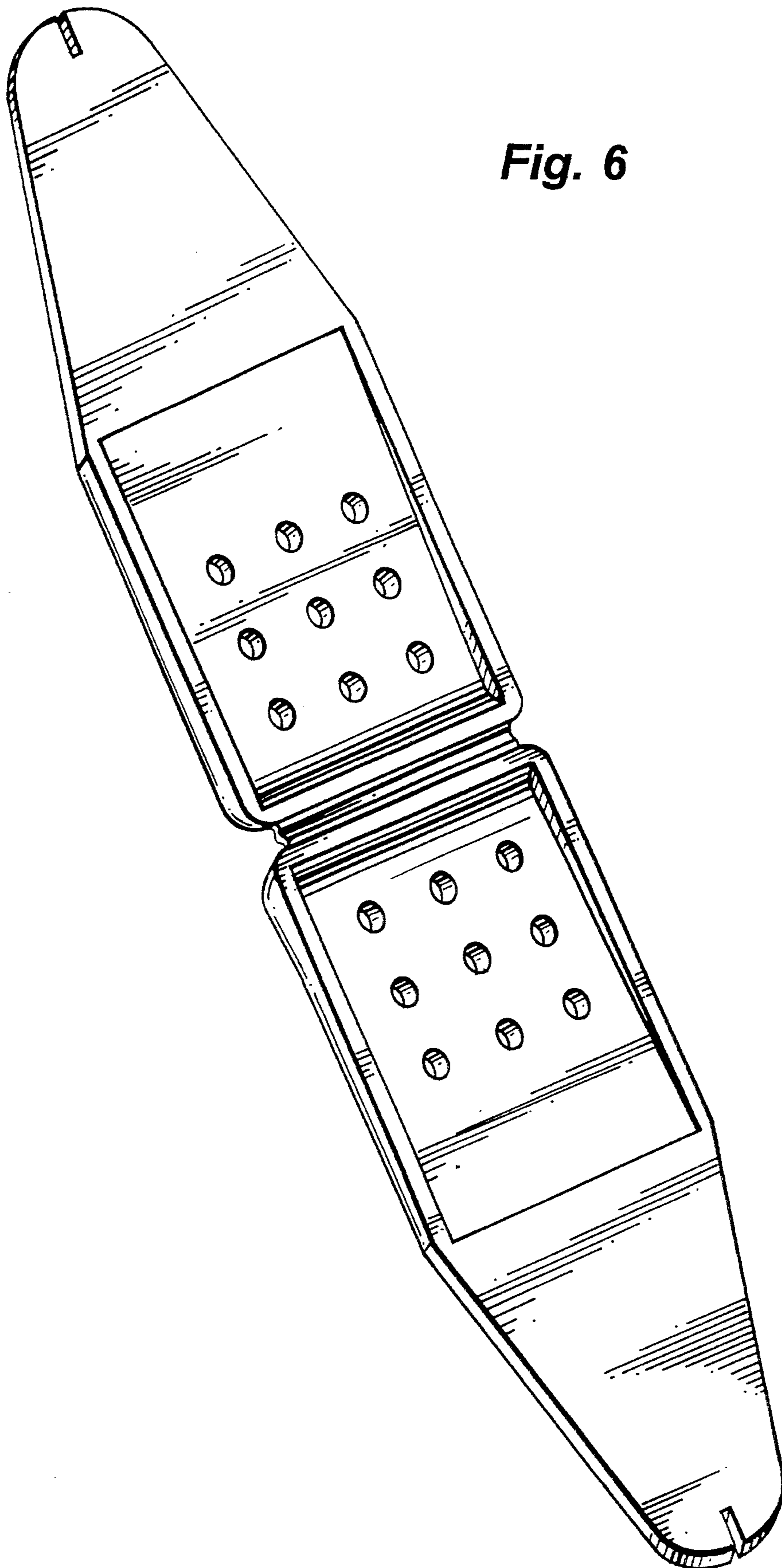


Fig. 6

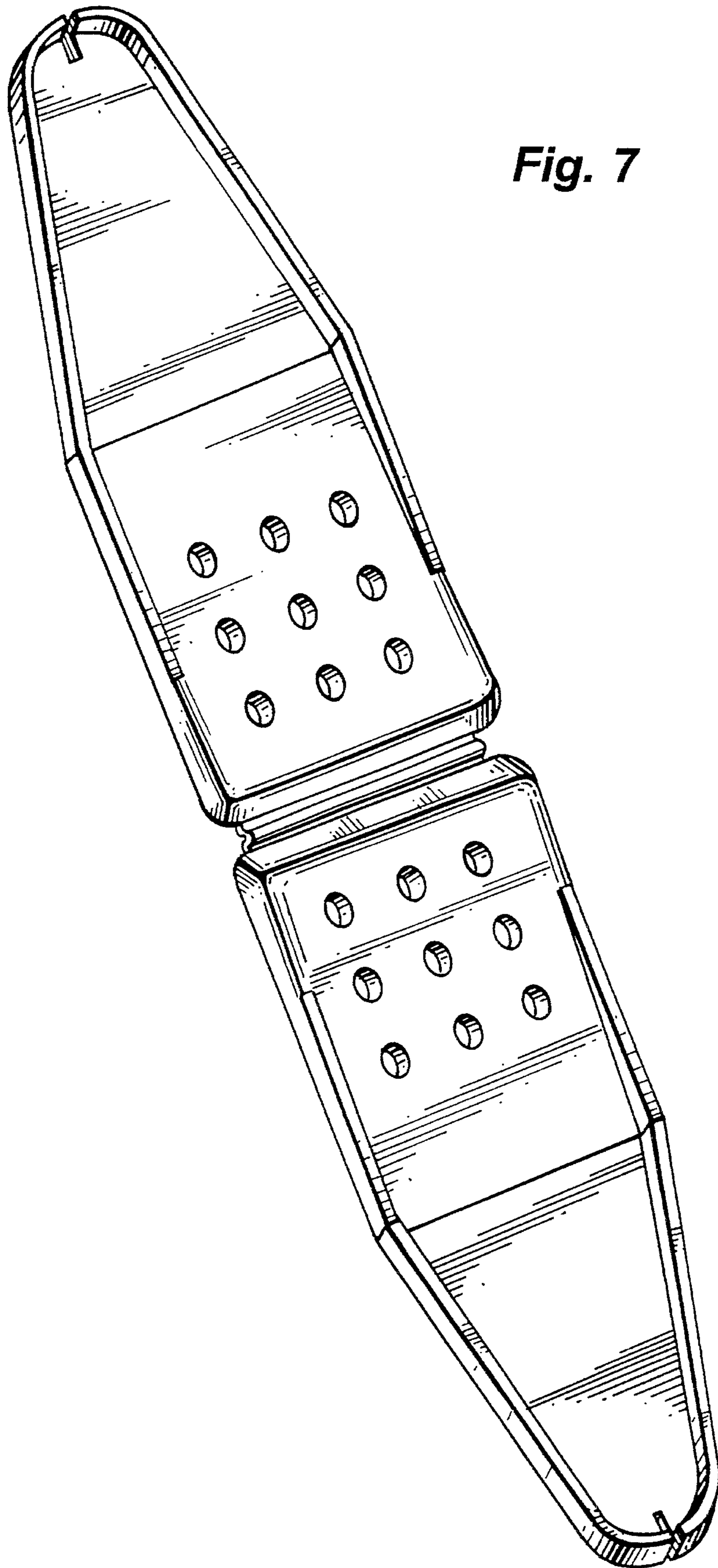


Fig. 7

Fig. 8

