



US00D366187S

United States Patent [19]

Van Den Kieboom

[11] Patent Number: **Des. 366,187**

[45] Date of Patent: ****Jan. 16, 1996**

[54] **FOOD TRAY**

[76] Inventor: **Jan M. Van Den Kieboom**, 9023
Glenwood Dr., Greendale, Wis. 53129

[**] Term: **14 Years**

[21] Appl. No.: **26,959**

[22] Filed: **Aug. 10, 1994**

[52] U.S. Cl. **D7/553; D7/555**

[58] Field of Search D7/505, 507, 550,
D7/553, 554, 555, 557, 587, 571, 551,
556, 584, 586; 206/561, 564; 229/2.5 R;
220/DIG. 12, DIG. 26, 675, 677, 735, 636,
750, 912, 914; D9/345, 341

[56] **References Cited**

U.S. PATENT DOCUMENTS

D. 144,016	2/1946	Weideman	D7/555
D. 168,327	12/1952	Alper	D7/507
D. 284,824	7/1986	Marshall	D7/554
D. 298,296	11/1988	Washburn et al.	D7/554
D. 345,084	3/1994	Williams	D7/554
1,681,589	8/1928	Levien	D7/554 X
2,003,895	6/1935	Martin	D7/555 X
2,590,732	3/1952	Simancik	.	

3,532,247	10/1970	Bridges	.	
3,799,386	3/1974	Madalin et al.	220/16
3,941,286	3/1976	Perkinson	224/48
3,955,672	5/1976	Brundage	206/72
4,732,274	3/1988	Bouton	206/561
5,259,528	11/1993	Pace et al.	206/561 X
5,335,787	8/1994	Finchum et al.	206/564
5,381,901	1/1995	Hundley	220/675 X

Primary Examiner—Alan P. Douglas
Assistant Examiner—M. N. Pandozzi
Attorney, Agent, or Firm—Andrus, Scales, Starke & Sawall

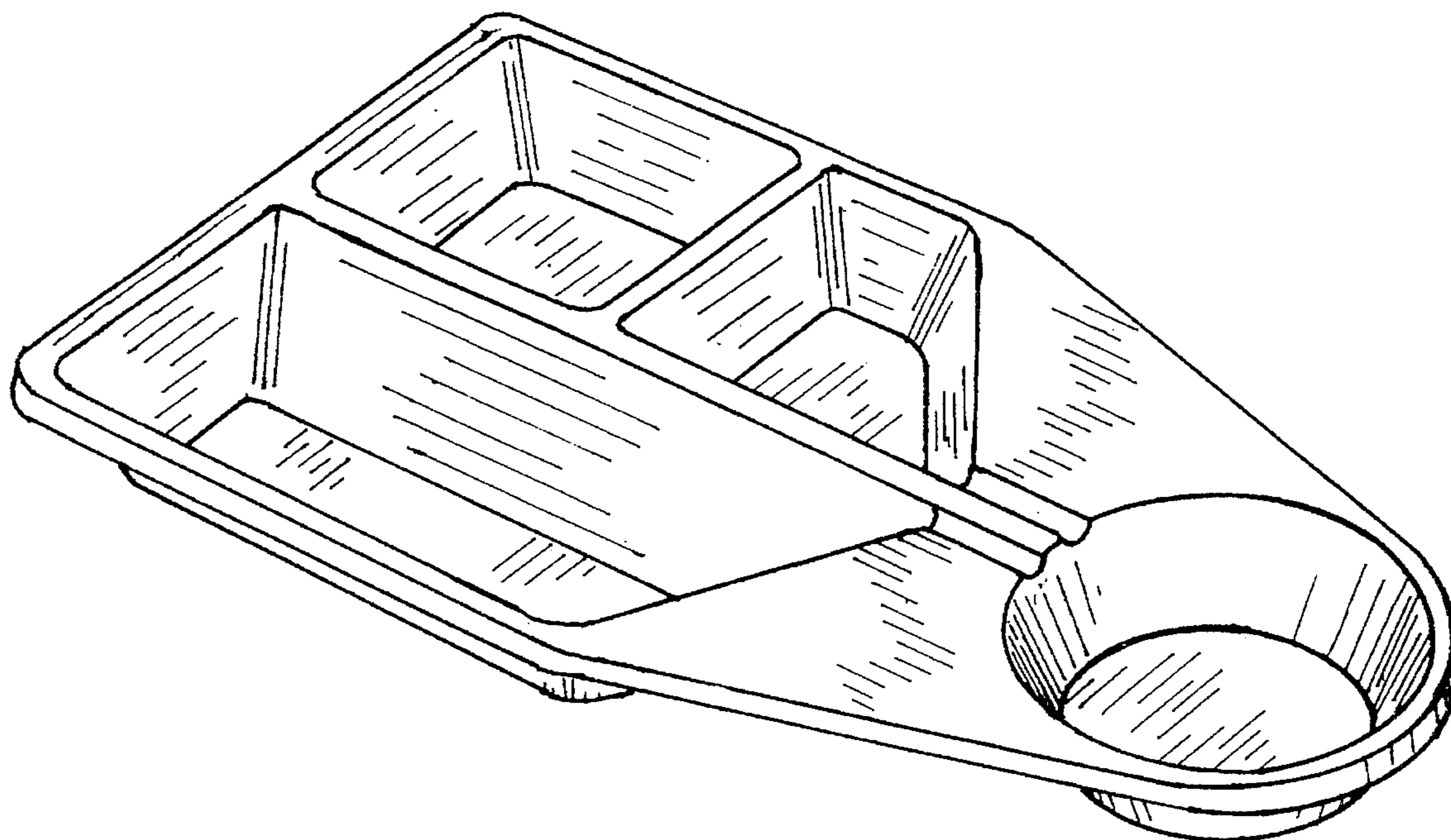
[57] CLAIM

The ornamental design for a food tray, as shown and described.

DESCRIPTION

FIG. 1 is a perspective view of a food tray incorporating the design of the present invention;
FIG. 2 is a top plan view of the tray of FIG. 1;
FIG. 3 is a left side elevation view of the tray of FIG. 1;
FIG. 4 is a front elevation view of the tray of FIG. 1;
FIG. 5 is a right side elevation view of the tray of FIG. 1;
FIG. 6 is a rear elevation view of the tray of FIG. 1; and,
FIG. 7 is a bottom plan view of the tray of FIG. 1.

1 Claim, 2 Drawing Sheets



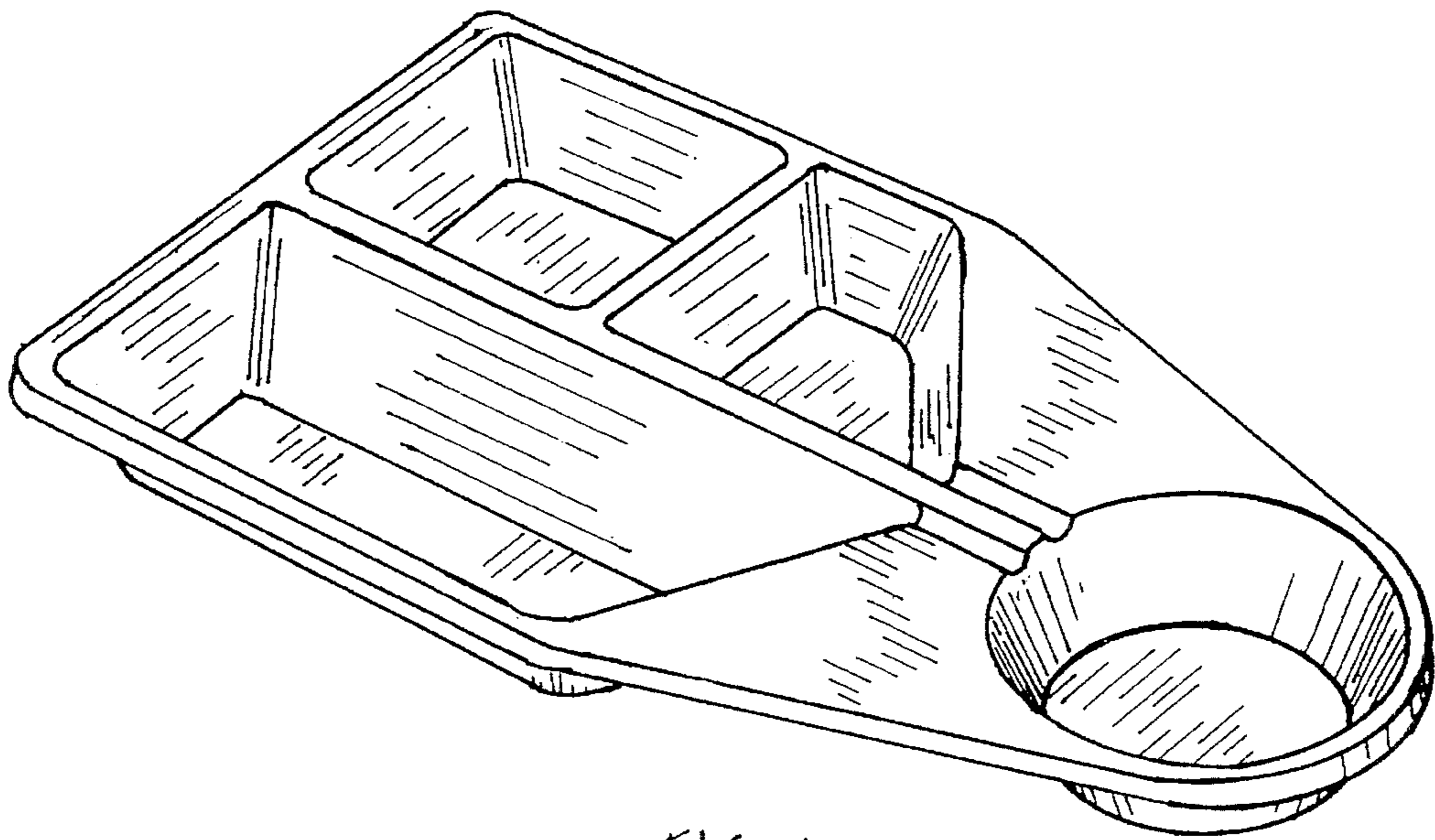


FIG. 1

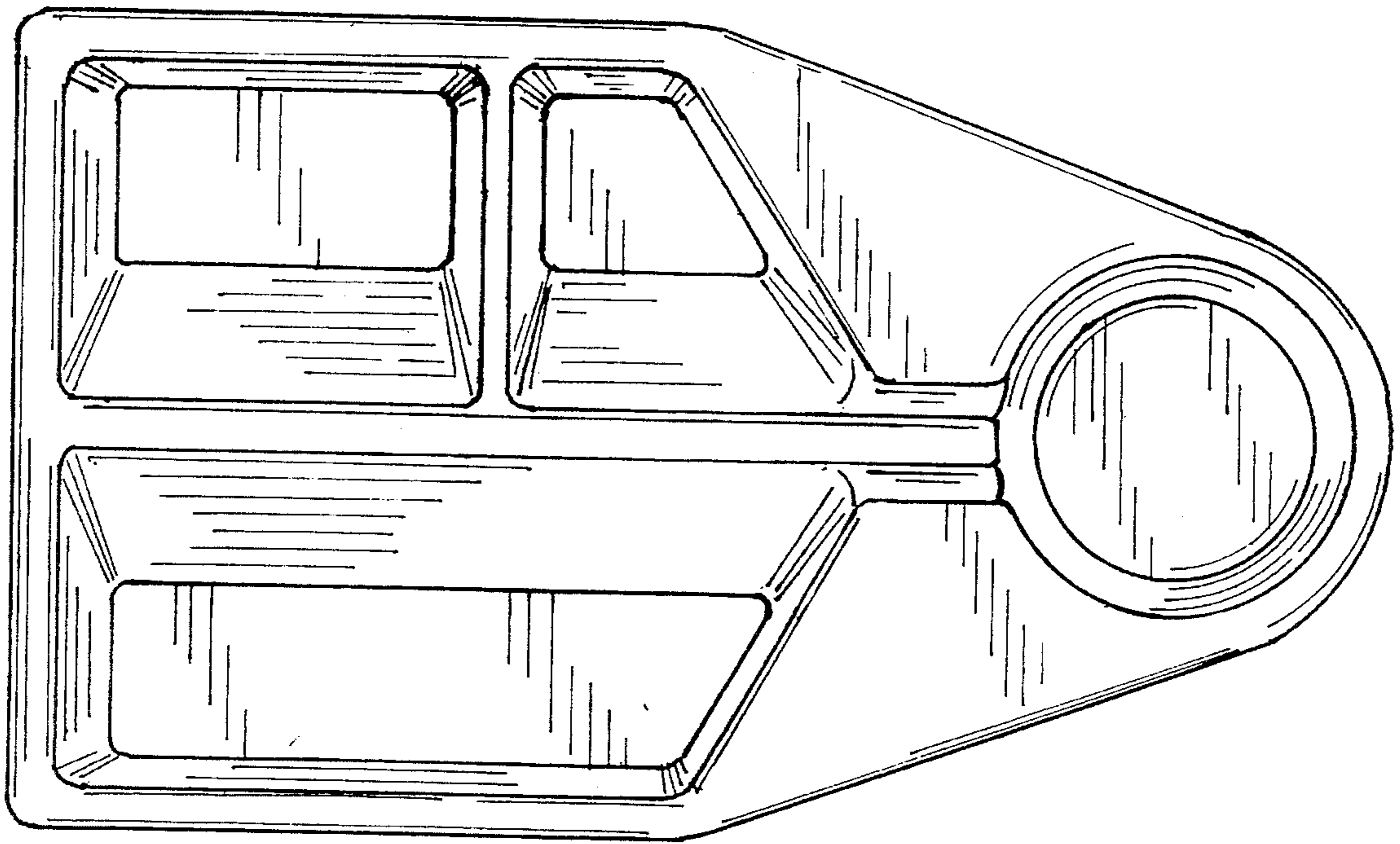


FIG. 2

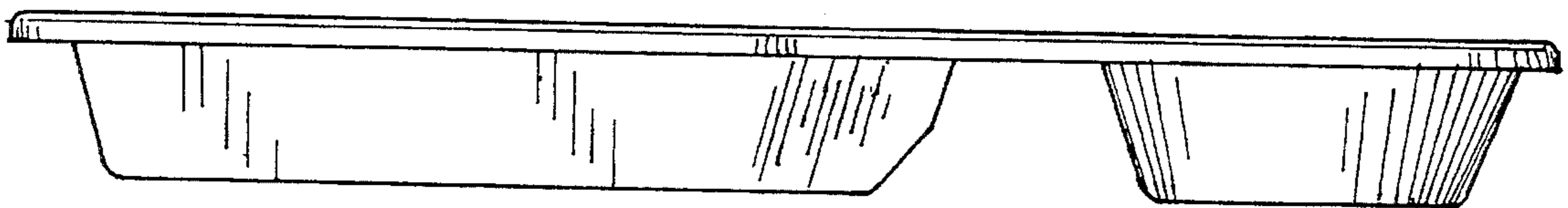


FIG. 3

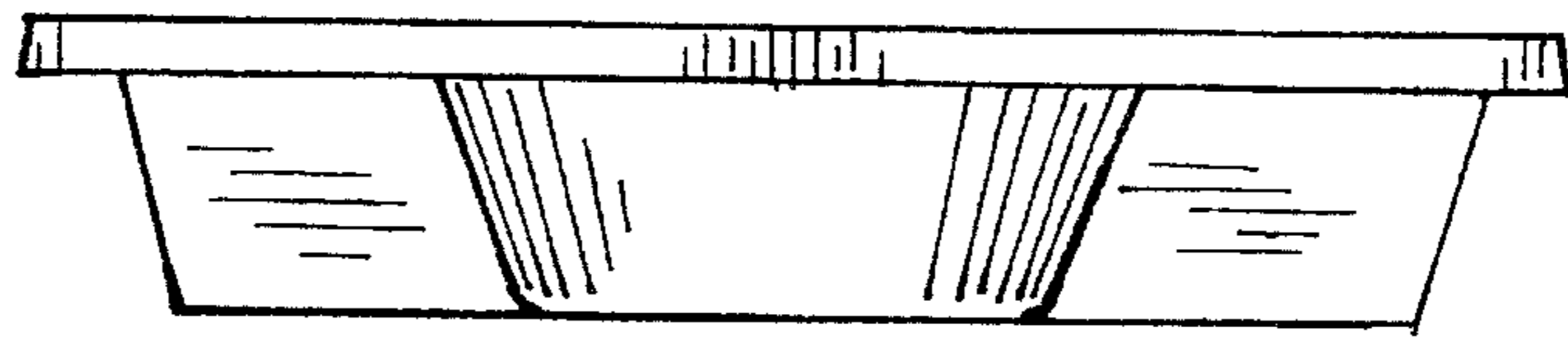


FIG. 4

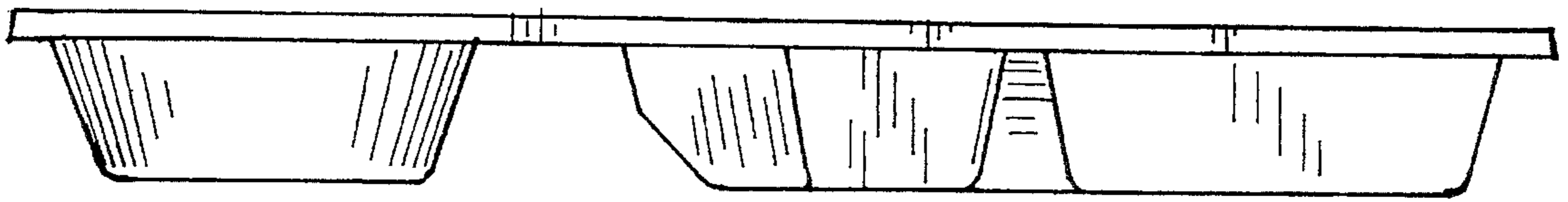


FIG. 5

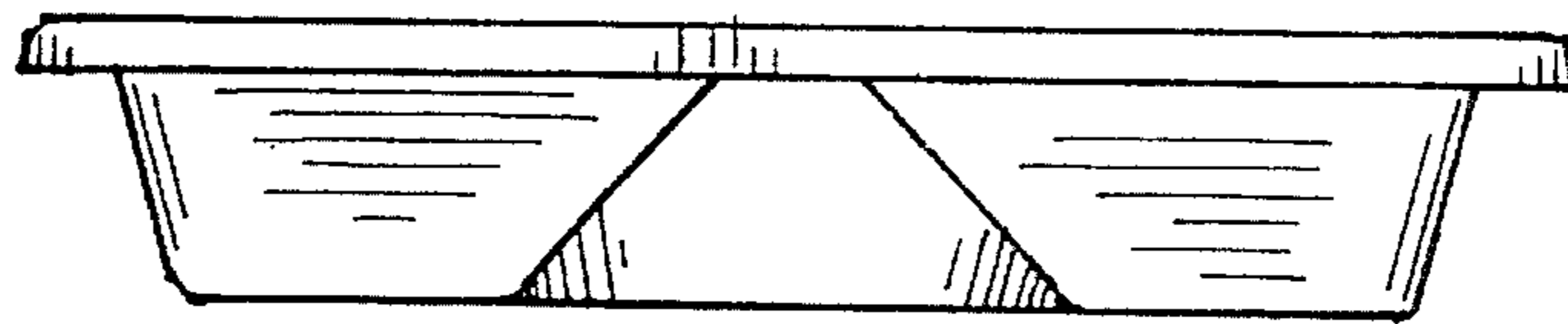


FIG. 6

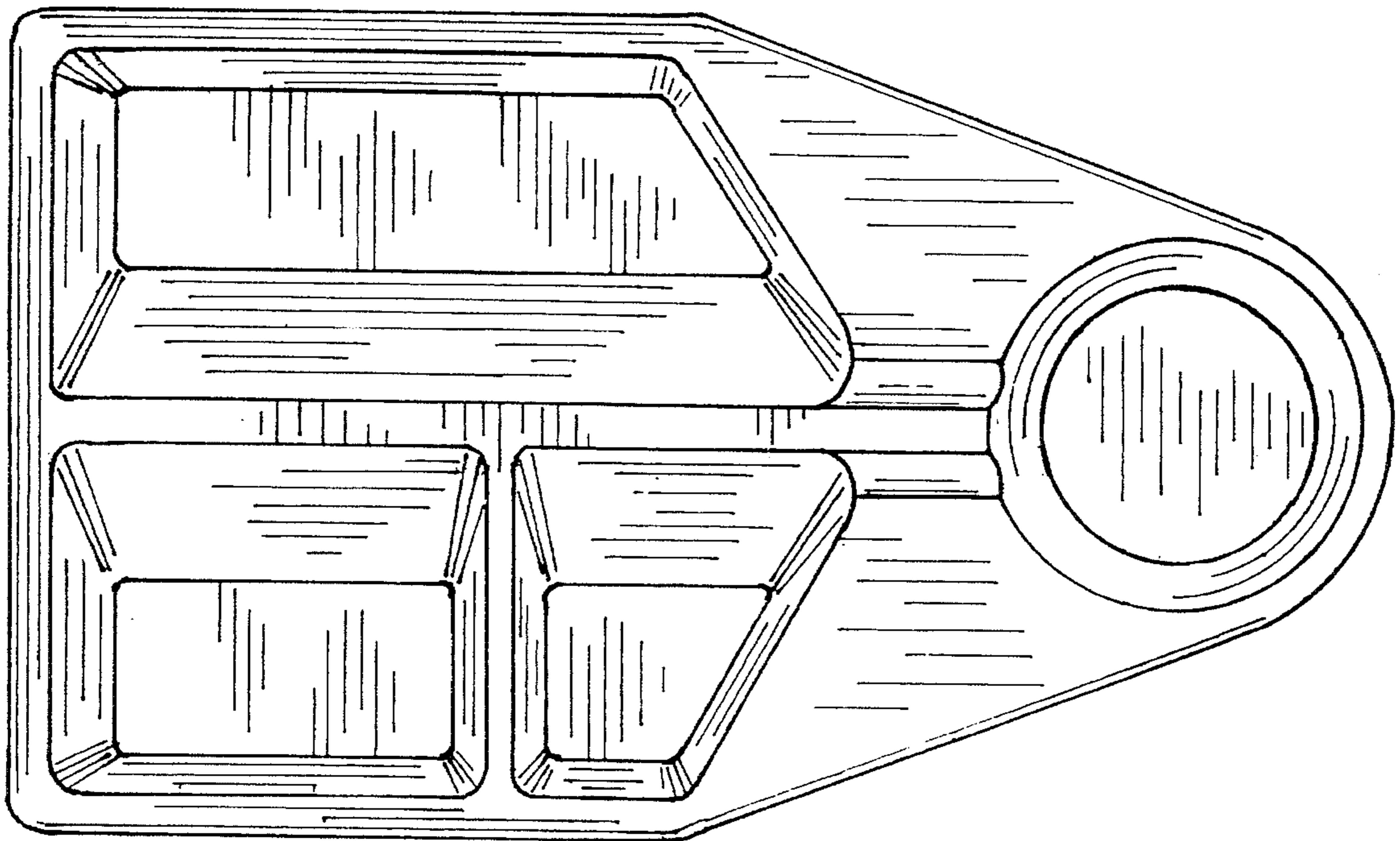


FIG. 7