



US00D366184S

**United States Patent** [19]  
**Koch**

[11] **Patent Number: Des. 366,184**

[45] **Date of Patent: \*\*Jan. 16, 1996**

[54] **HANDLE FOR KITCHEN UTENSILS**

[75] Inventor: **Karl-Erich Koch**, Cham, Switzerland

[73] Assignee: **AMC International ALFA Metalcraft Corporation AG**, Switzerland

[\*\*] Term: **14 Years**

[21] Appl. No.: **18,038**

[22] Filed: **Jan. 27, 1994**

[30] **Foreign Application Priority Data**

Aug. 5, 1993 [XH] Hague Agreement ..... DMA/002250

[52] **U.S. Cl.** ..... **D7/395**

[58] **Field of Search** ..... D7/355-361, 393,  
D7/395; D8/100, 300; 16/110 A, 110 R,  
114 R, 114 A

[56] **References Cited**

**U.S. PATENT DOCUMENTS**

D. 216,324 12/1969 Yamamoto ..... D7/360 X  
D. 221,397 8/1971 Chen ..... D7/360  
D. 306,679 3/1990 Schultz ..... D7/361

**FOREIGN PATENT DOCUMENTS**

632319 10/1927 France ..... 16/110 A  
141155 4/1920 United Kingdom ..... 16/110 A

**OTHER PUBLICATIONS**

Industrial Design; Jun. 1960; p. 62; Pot Handle on the right.

*Primary Examiner*—Alan P. Douglas  
*Assistant Examiner*—Caron D. Veynar

*Attorney, Agent, or Firm*—Webb Ziesenheim Bruening  
Logsdon Orkin & Hanson

[57] **CLAIM**

The ornamental design for the handle for kitchen utensils, as shown and described.

**DESCRIPTION**

FIG. 1 is a perspective view of the handle for kitchen utensils showing my new design;

FIG. 2 is a top plan view thereof;

FIG. 3 is a bottom plan view thereof;

FIG. 4 is a right side elevational view thereof, the left side being a mirror image;

FIG. 5 is a bottom view thereof, looking from the end of the handle;

FIG. 6 is a top view thereof, looking from the opposite end of the handle;

FIG. 7 is a top plan view thereof wherein the U-shaped fastener is partially disengaged from the end of the handle;

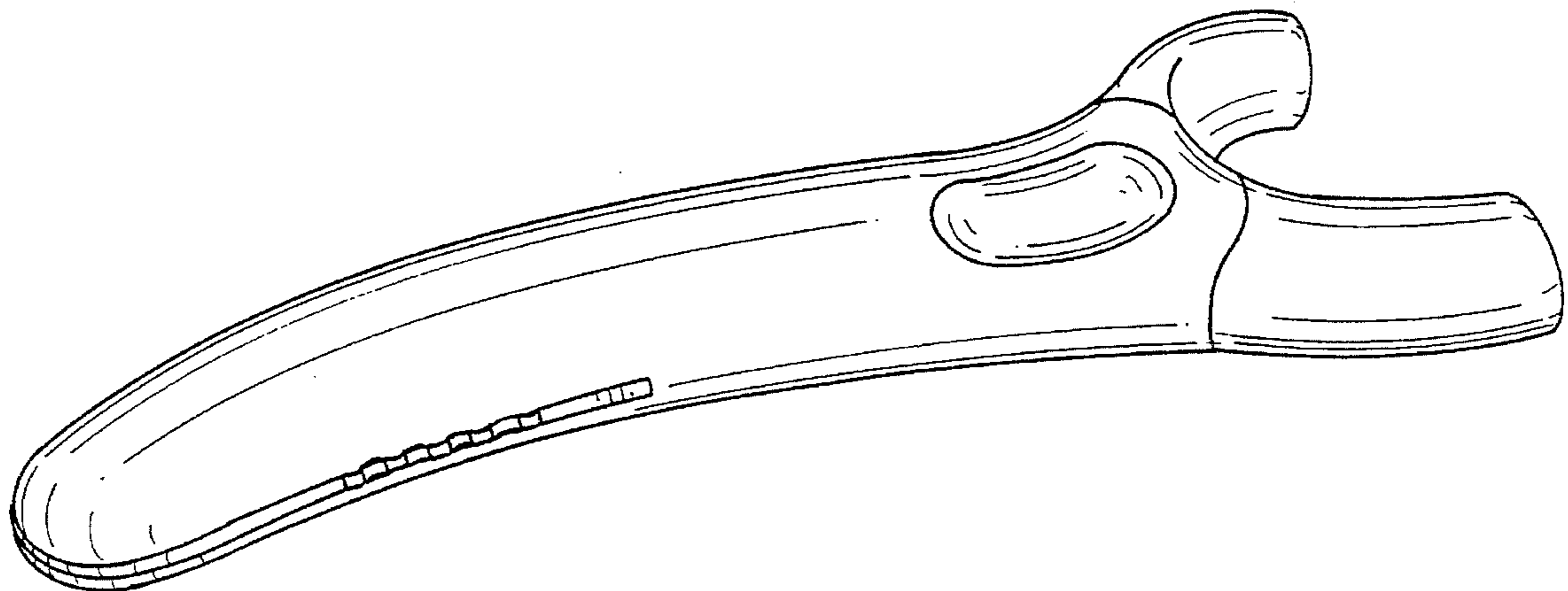
FIG. 8 is a bottom plan view thereof;

FIG. 9 is a left side elevational view thereof, the right side being a mirror image;

FIG. 10 is a bottom plan view thereof, looking from the end of the handle; and,

FIG. 11 is a top plan view thereof, looking from the opposite end of the handle.

**1 Claim, 9 Drawing Sheets**



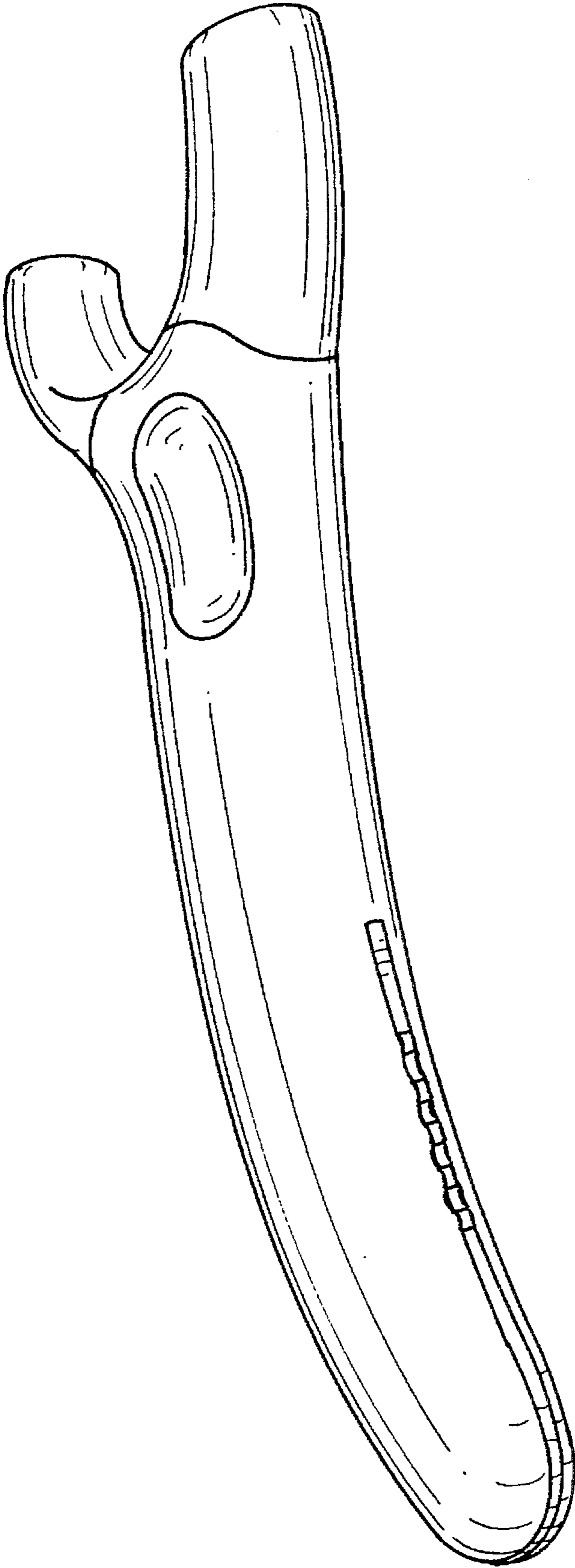


FIG. 1

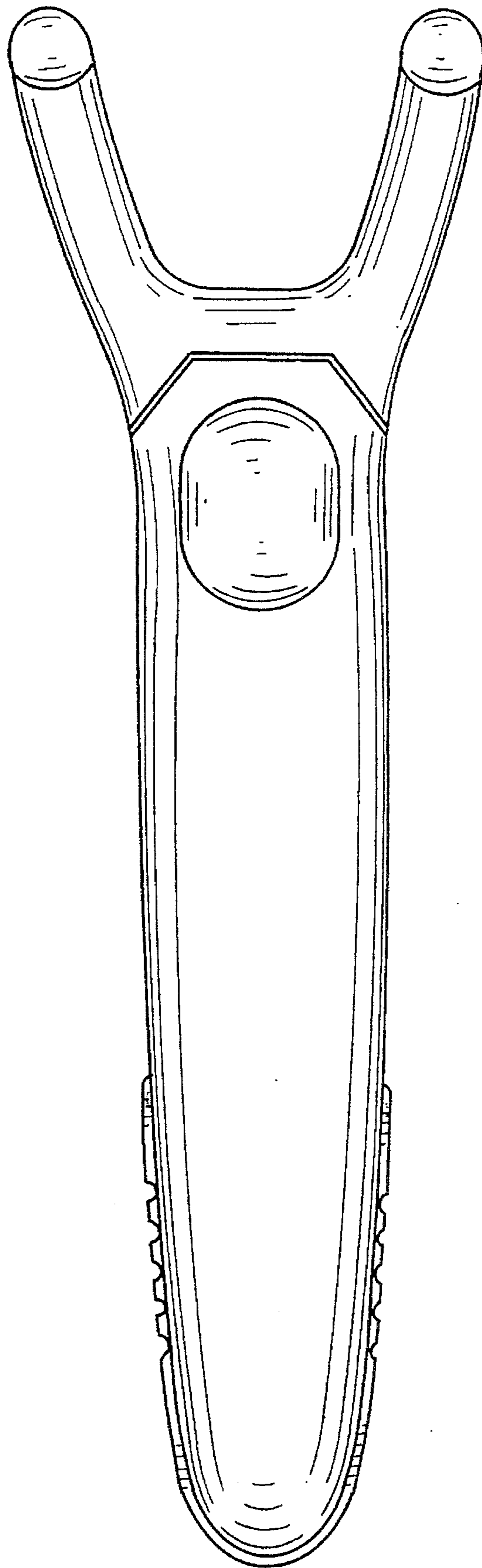


FIG. 2

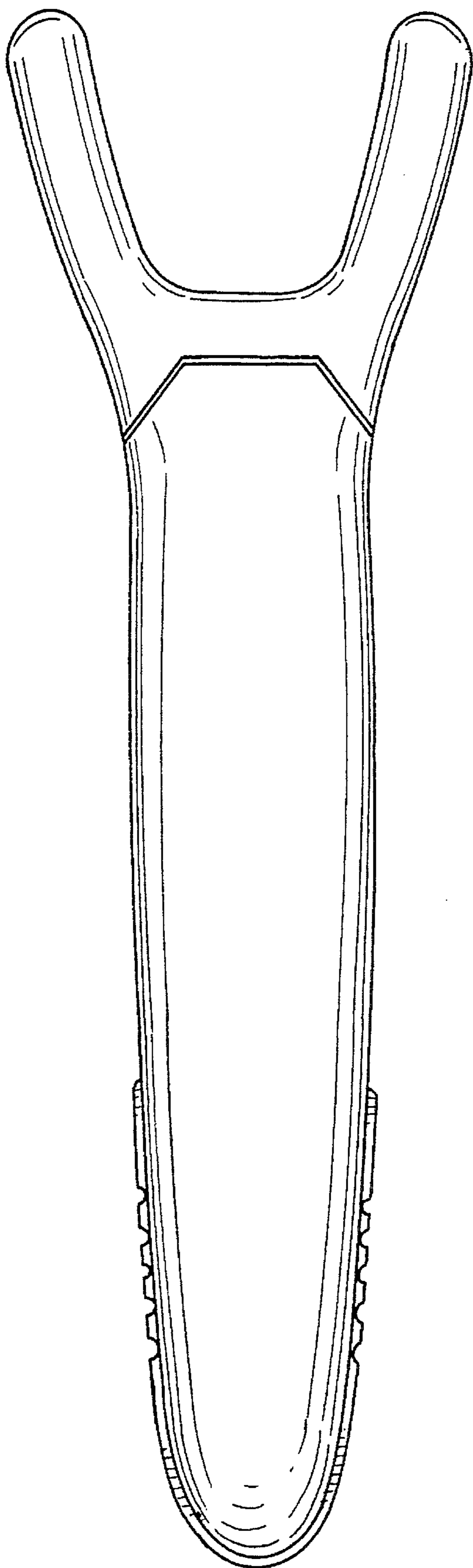


FIG. 3

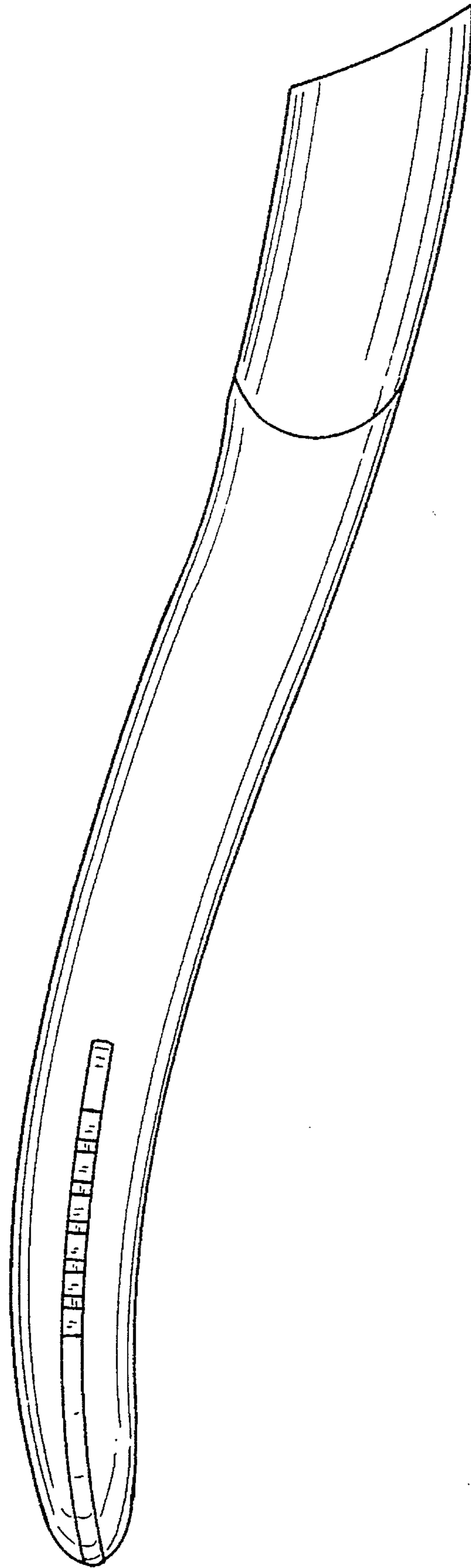


FIG. 4

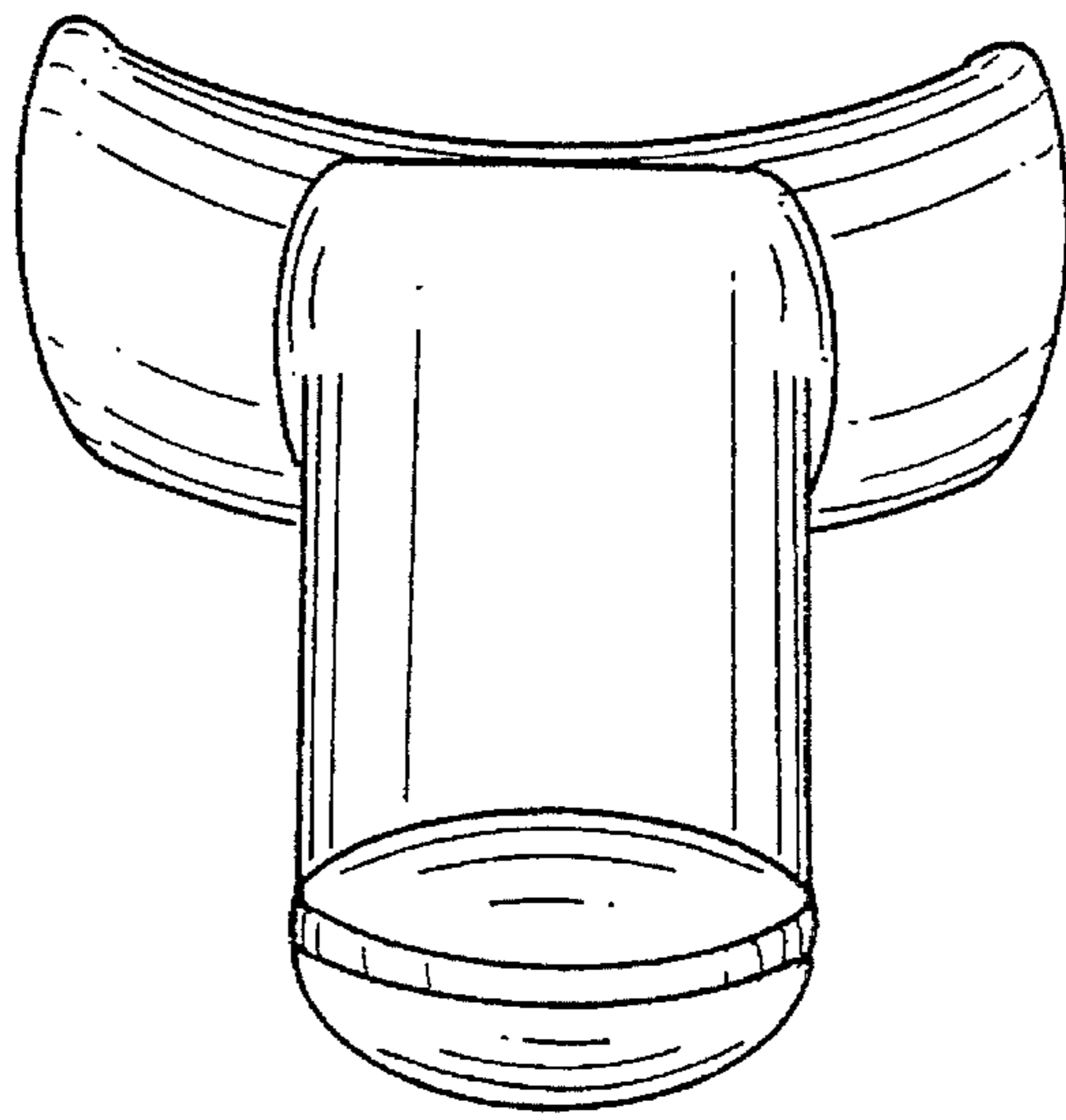


FIG. 5

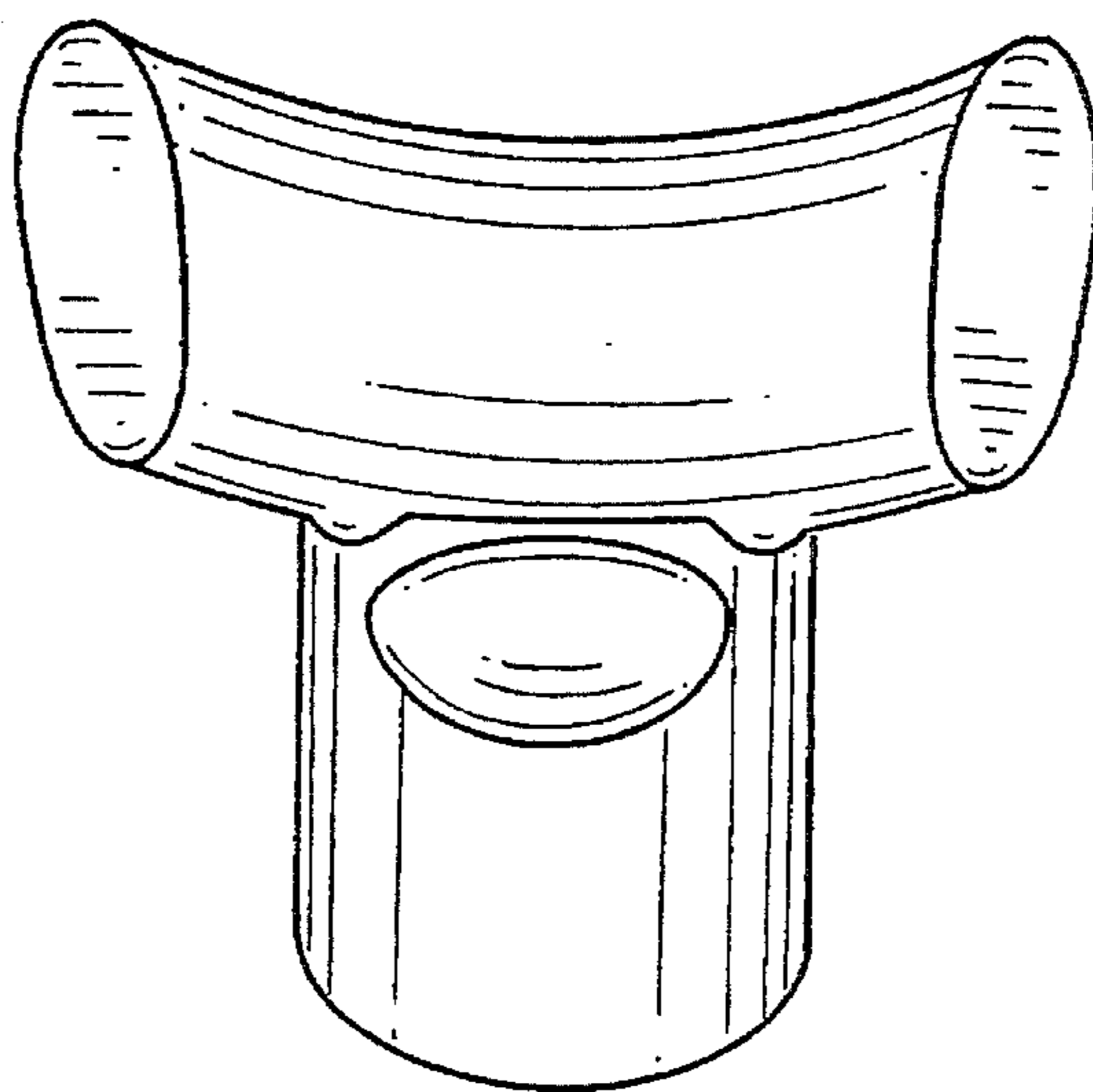


FIG. 6

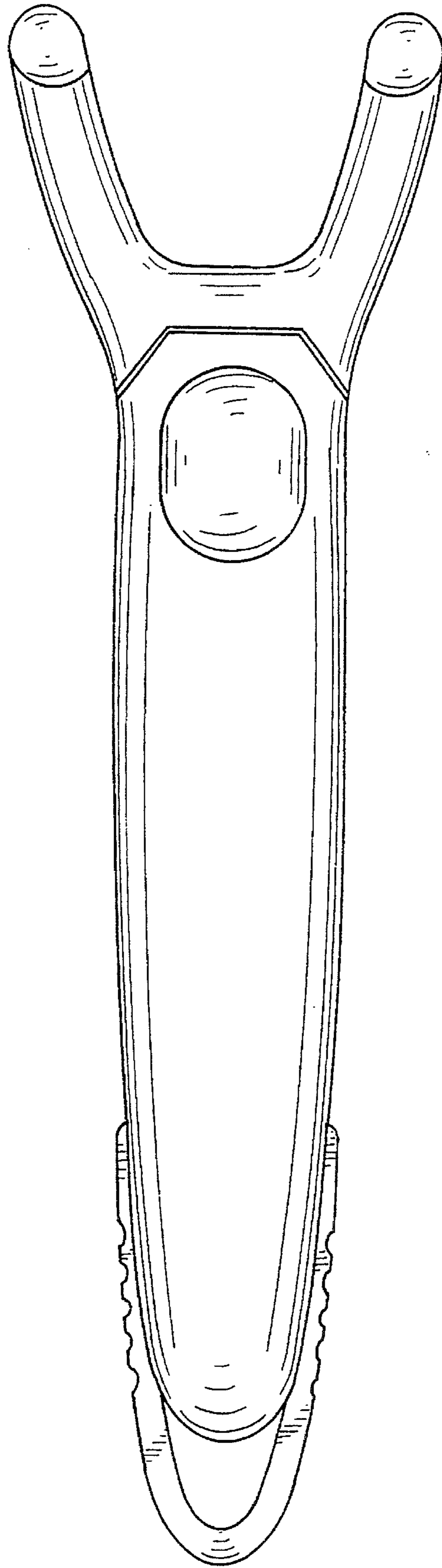


FIG. 7

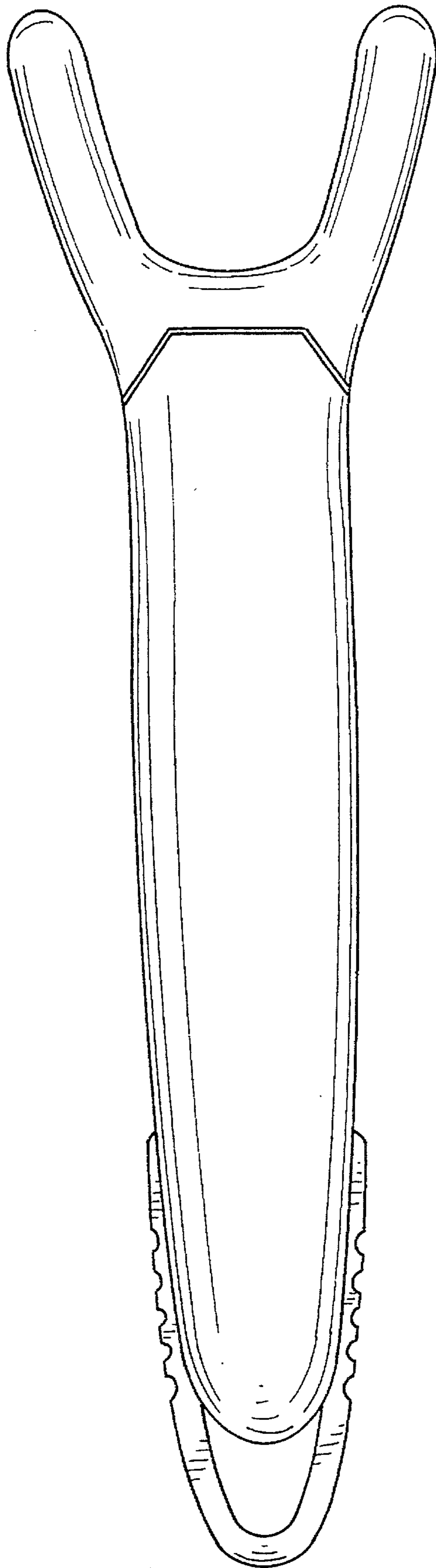


FIG. 8



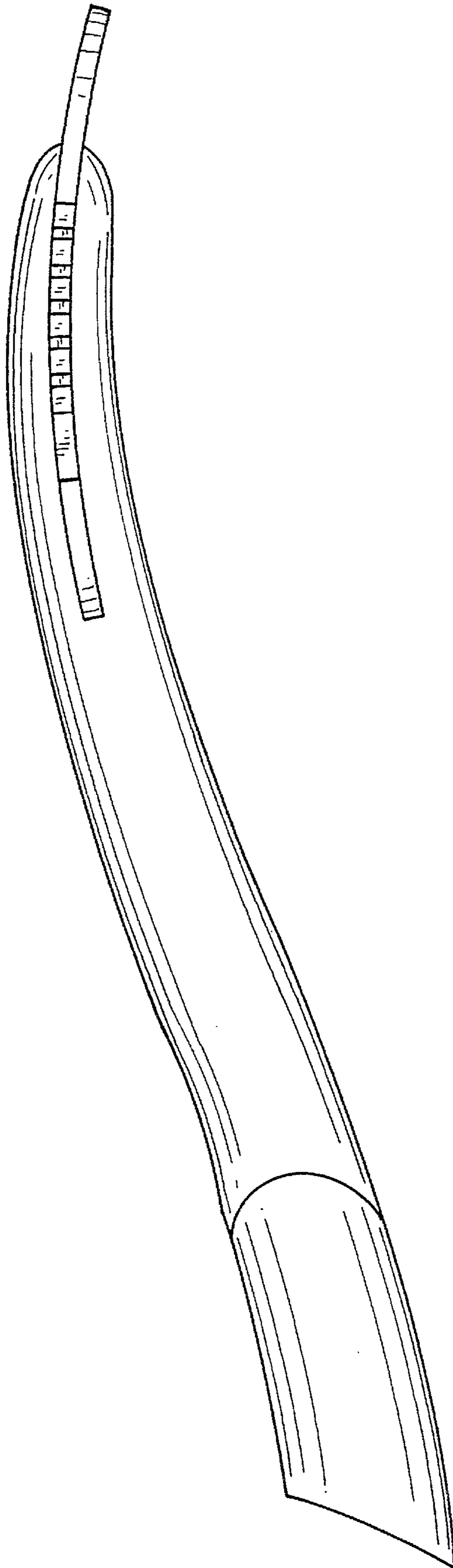


FIG. 9

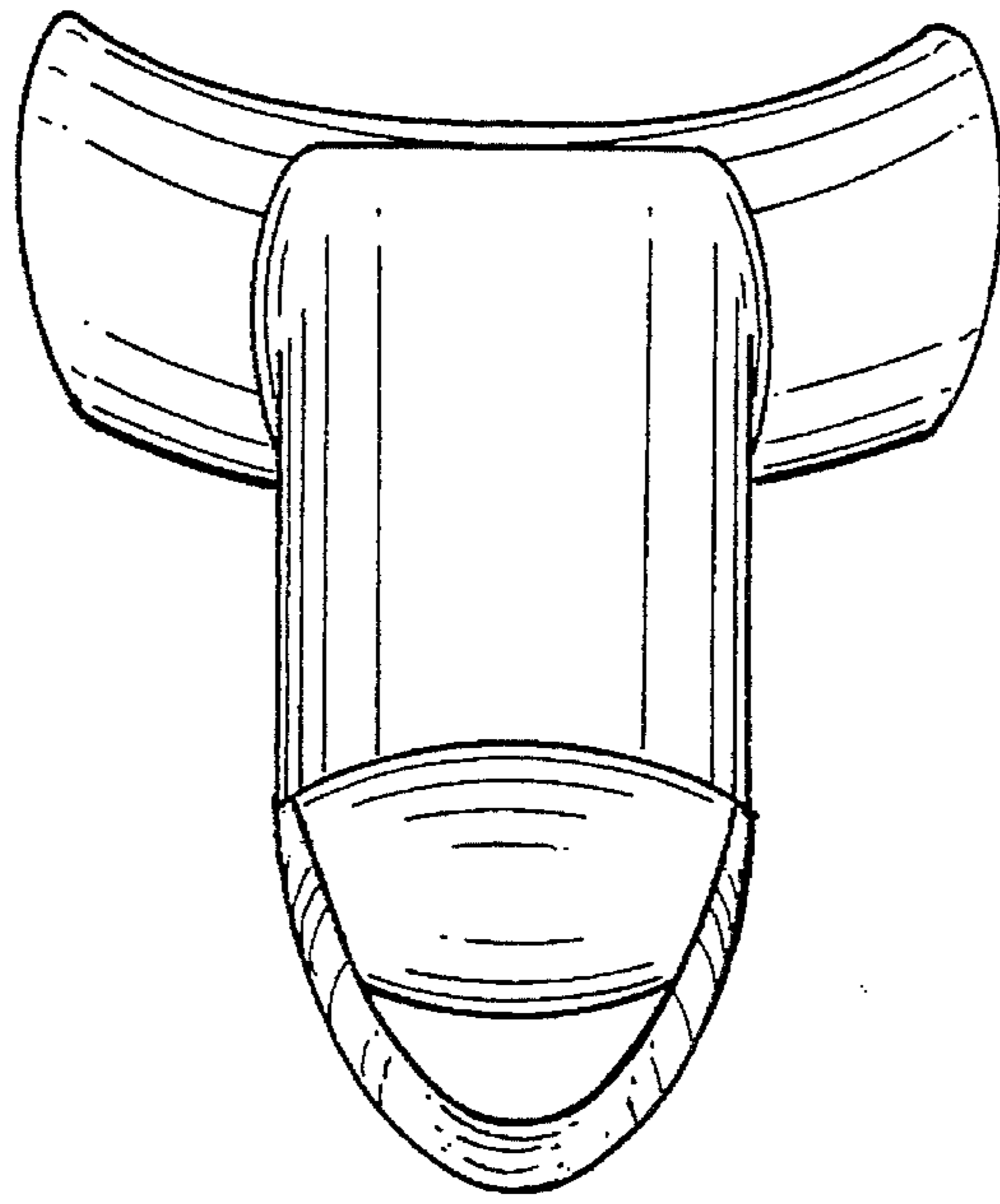


FIG. 10

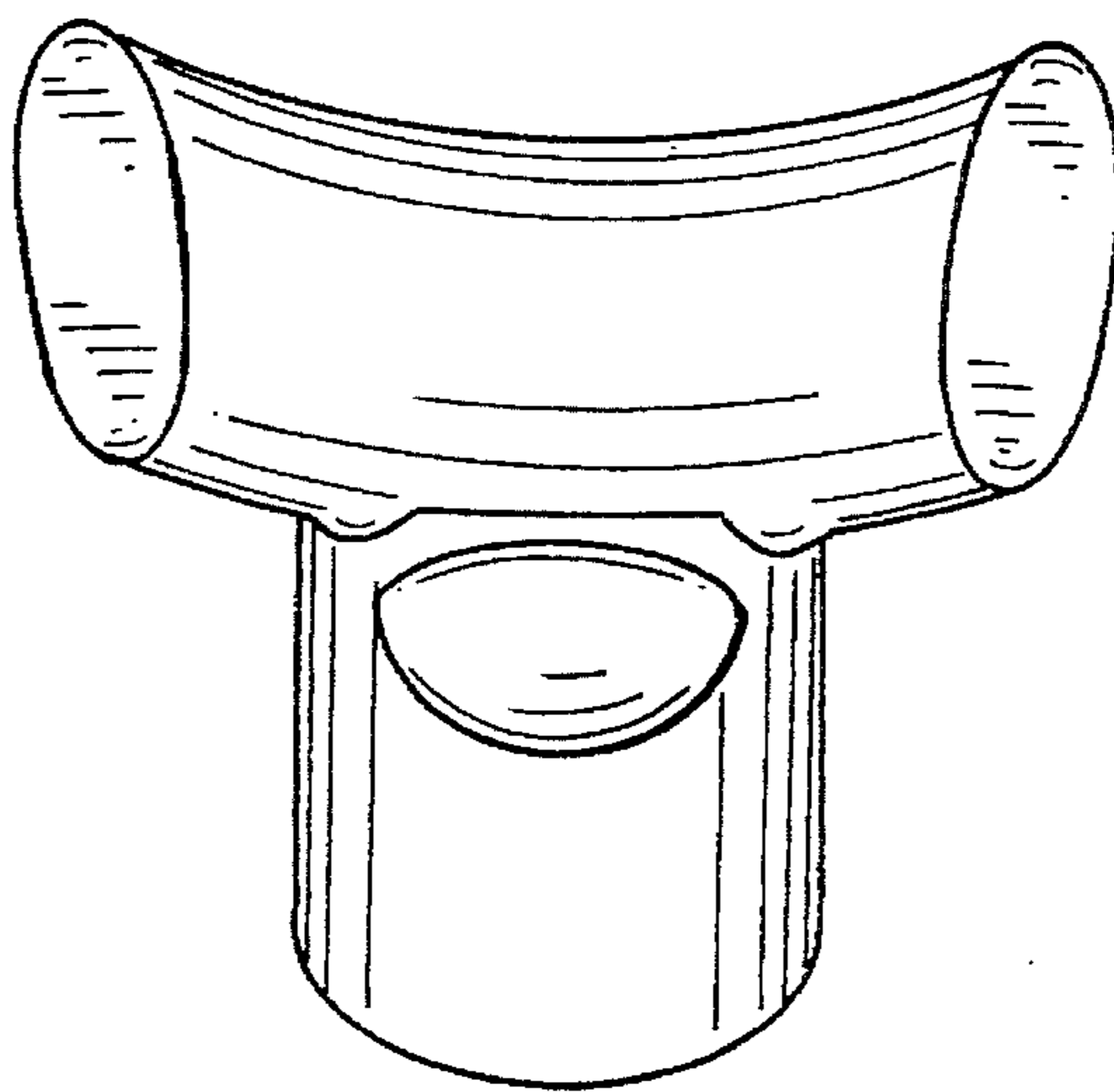


FIG. 11