



US00D366182S

United States Patent [19]

Hsieh

[11] Patent Number: **Des. 366,182**

[45] Date of Patent: ****Jan. 16, 1996**

[54] **AGITATOR FOR FRIED FOOD**

4,173,925 11/1979 Leon 366/220 X

[76] Inventor: **Chin-Yan Hsieh**, No. 97, Lane 211,
Neiwei Rd., Kushan District, Kaohsiung
City, Taiwan

Primary Examiner—Alan P. Douglas
Assistant Examiner—Caron D. Veynar
Attorney, Agent, or Firm—Morton J. Rosenberg; David I.
Klein

[**] Term: **14 Years**

[57] CLAIM

[21] Appl. No.: **31,223**

The ornamental design for an agitator for fried food, as
shown and described.

[22] Filed: **Nov. 15, 1994**

[52] U.S. Cl. **D7/376**

DESCRIPTION

[58] Field of Search D7/376, 377; D15/19;
219/433; 366/175.3, 185, 220, 282

FIG. 1 is a front-right-top perspective view of an agitator for
fried food, showing my new design;

FIG. 2 is a front view thereof;

FIG. 3 is a rear view thereof;

FIG. 4 is a left side view thereof;

FIG. 5 is a right side view thereof;

FIG. 6 is a top view thereof; and,

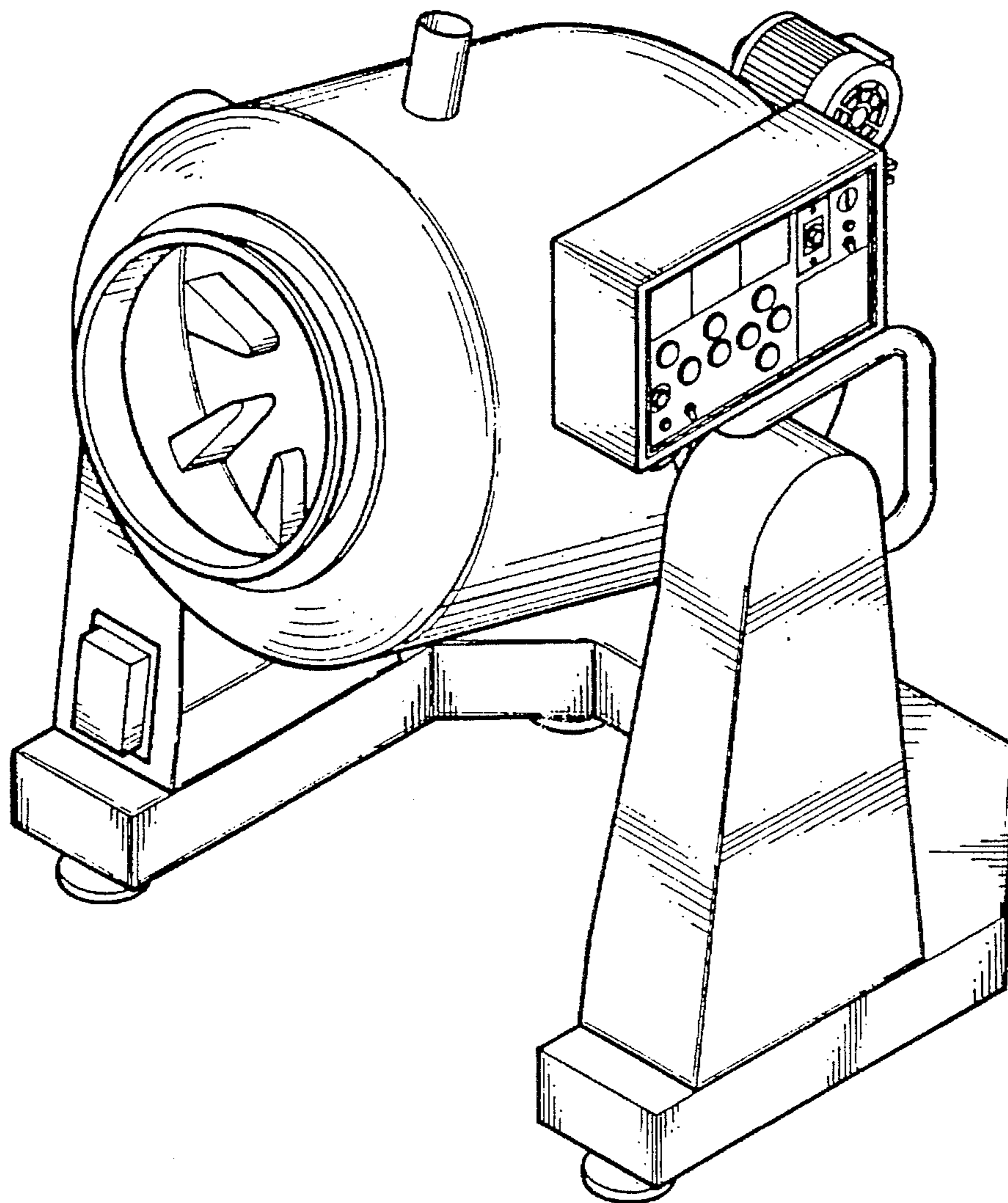
FIG. 7 is a bottom view thereof.

[56] References Cited

U.S. PATENT DOCUMENTS

D. 278,150	3/1985	Burenga	D15/19
2,218,320	10/1940	Wenger	366/282
3,251,579	5/1966	Lasar	366/185
3,291,304	12/1966	Fuchs	366/175.3 X
3,802,822	4/1974	Harbison	366/175.3 X

1 Claim, 4 Drawing Sheets



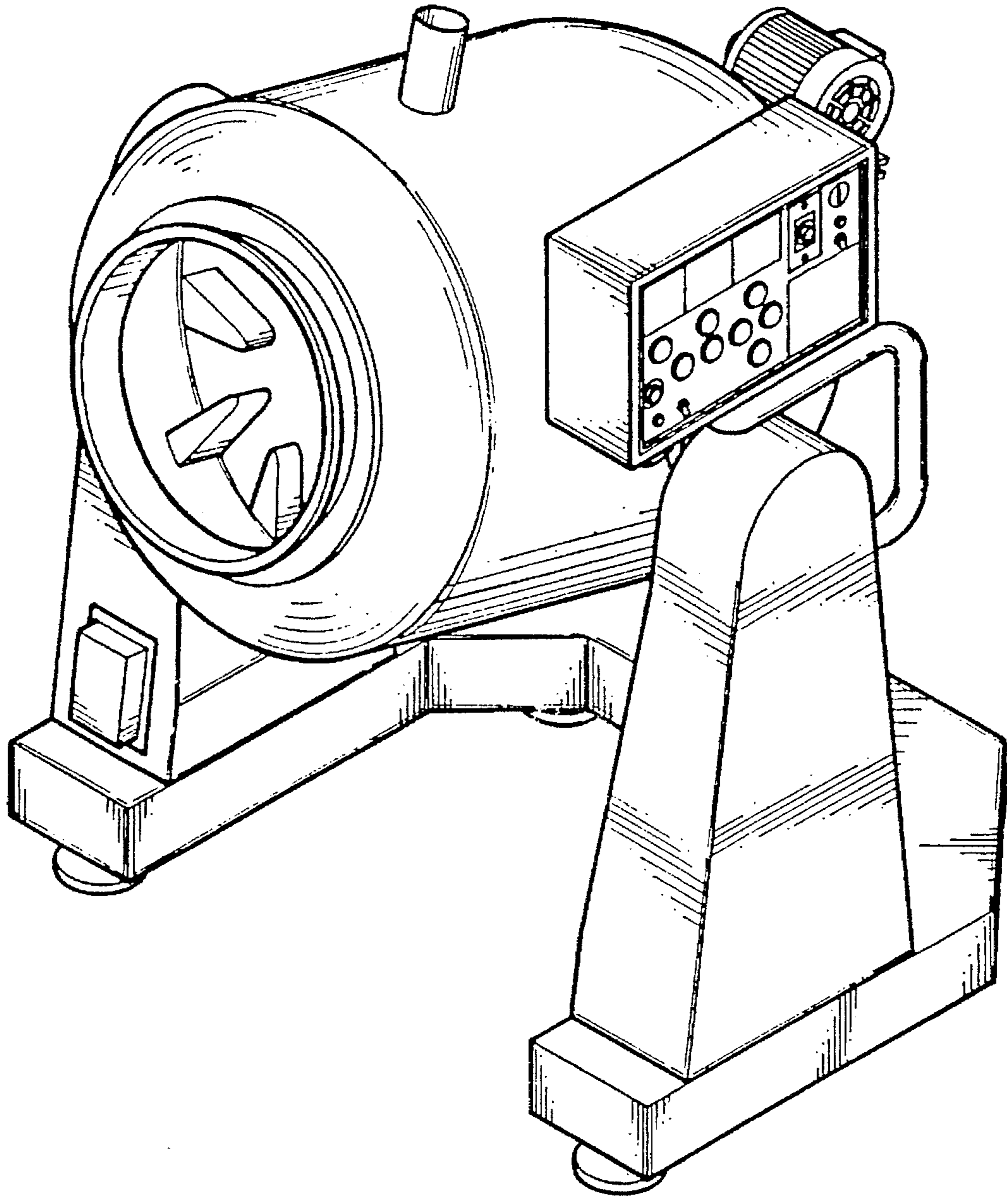


Fig. 1

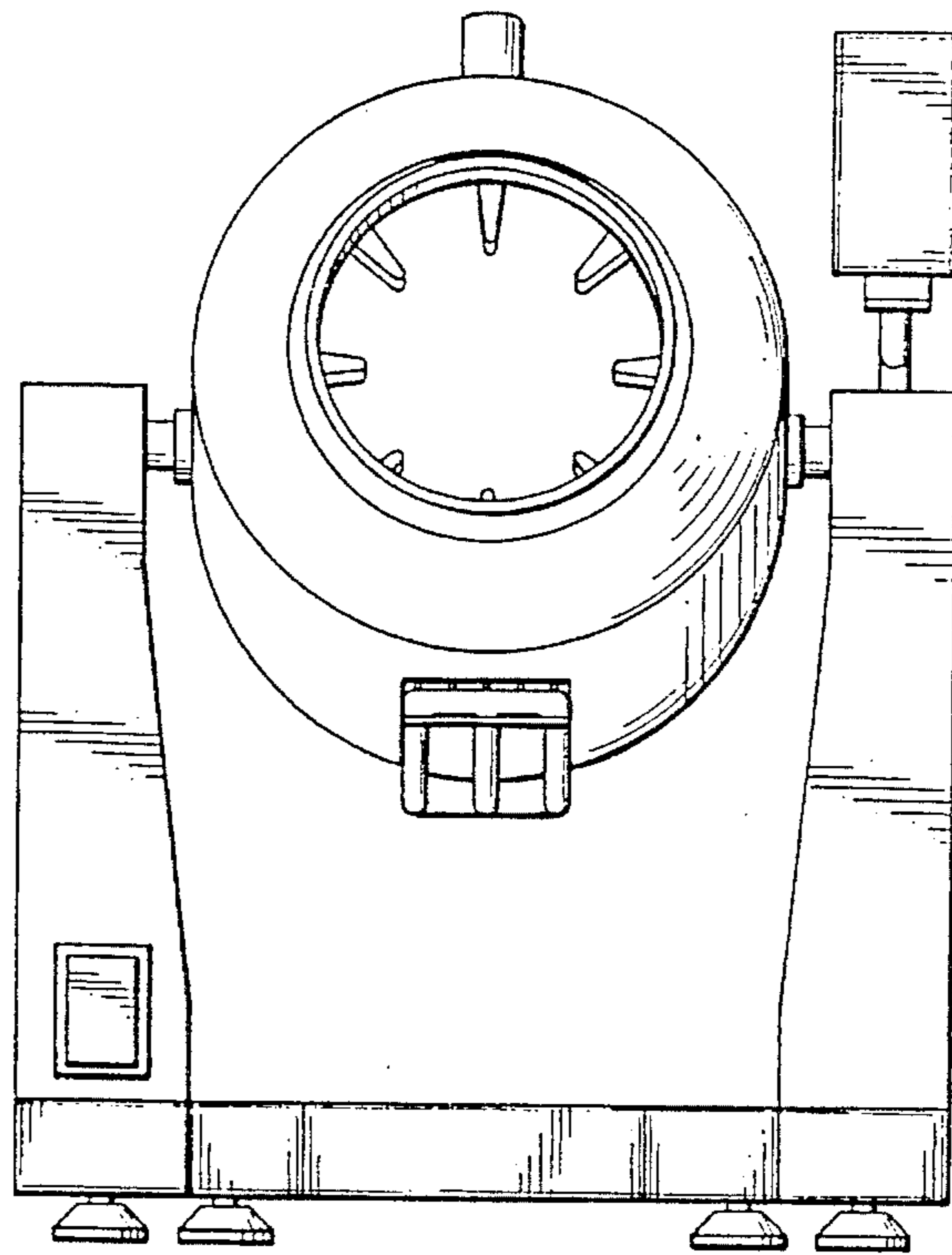


Fig. 2

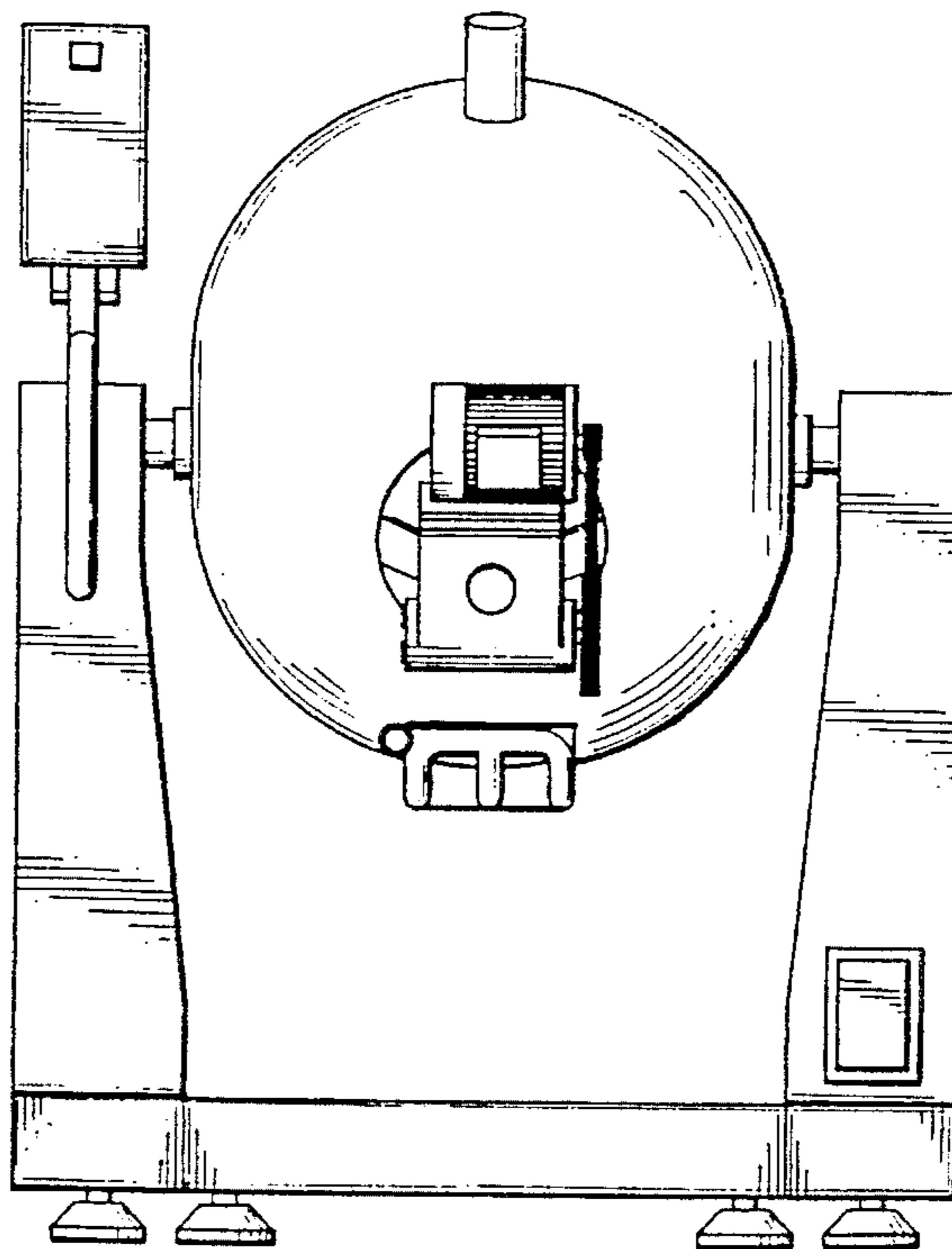


Fig. 3

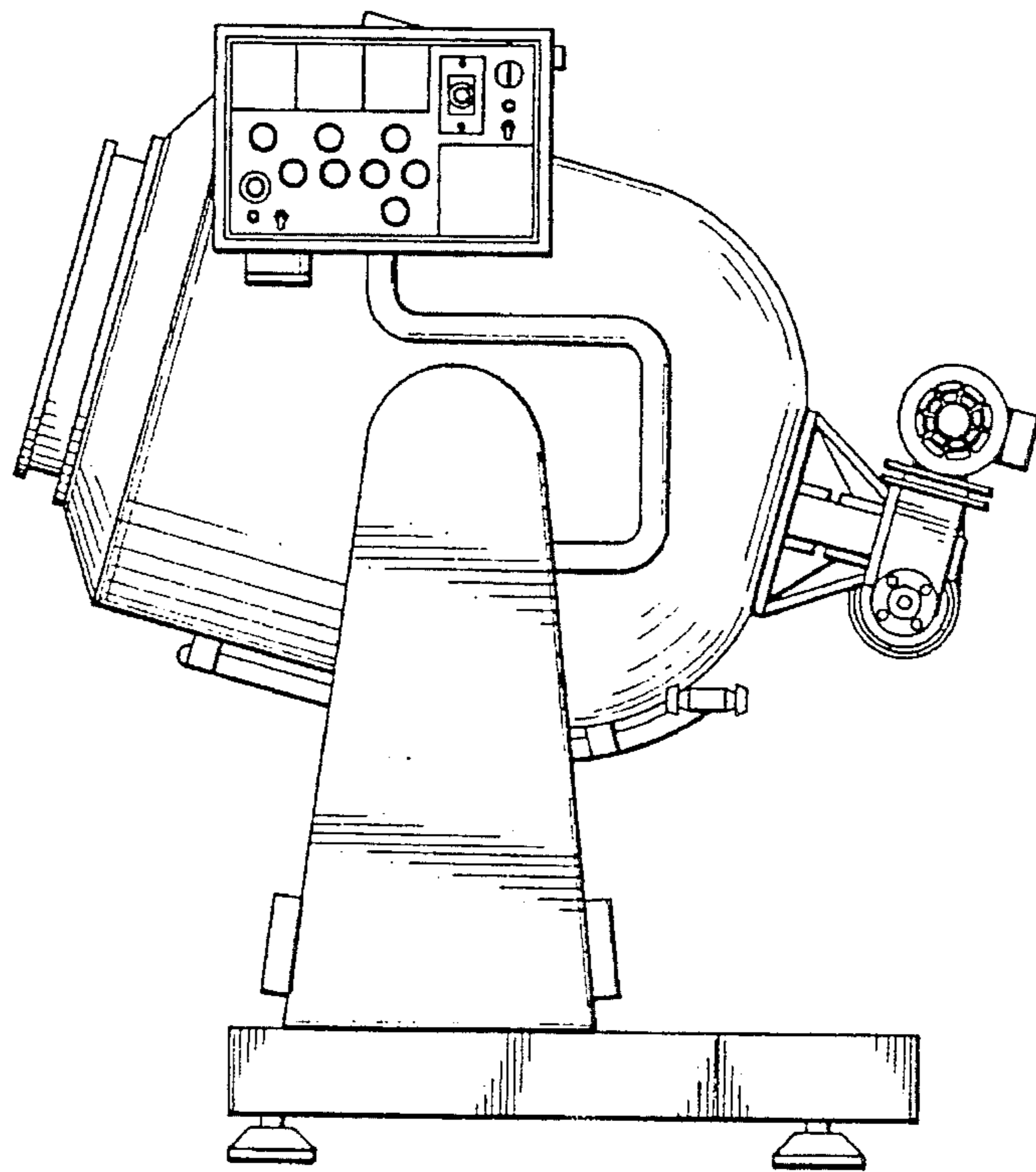


Fig.5

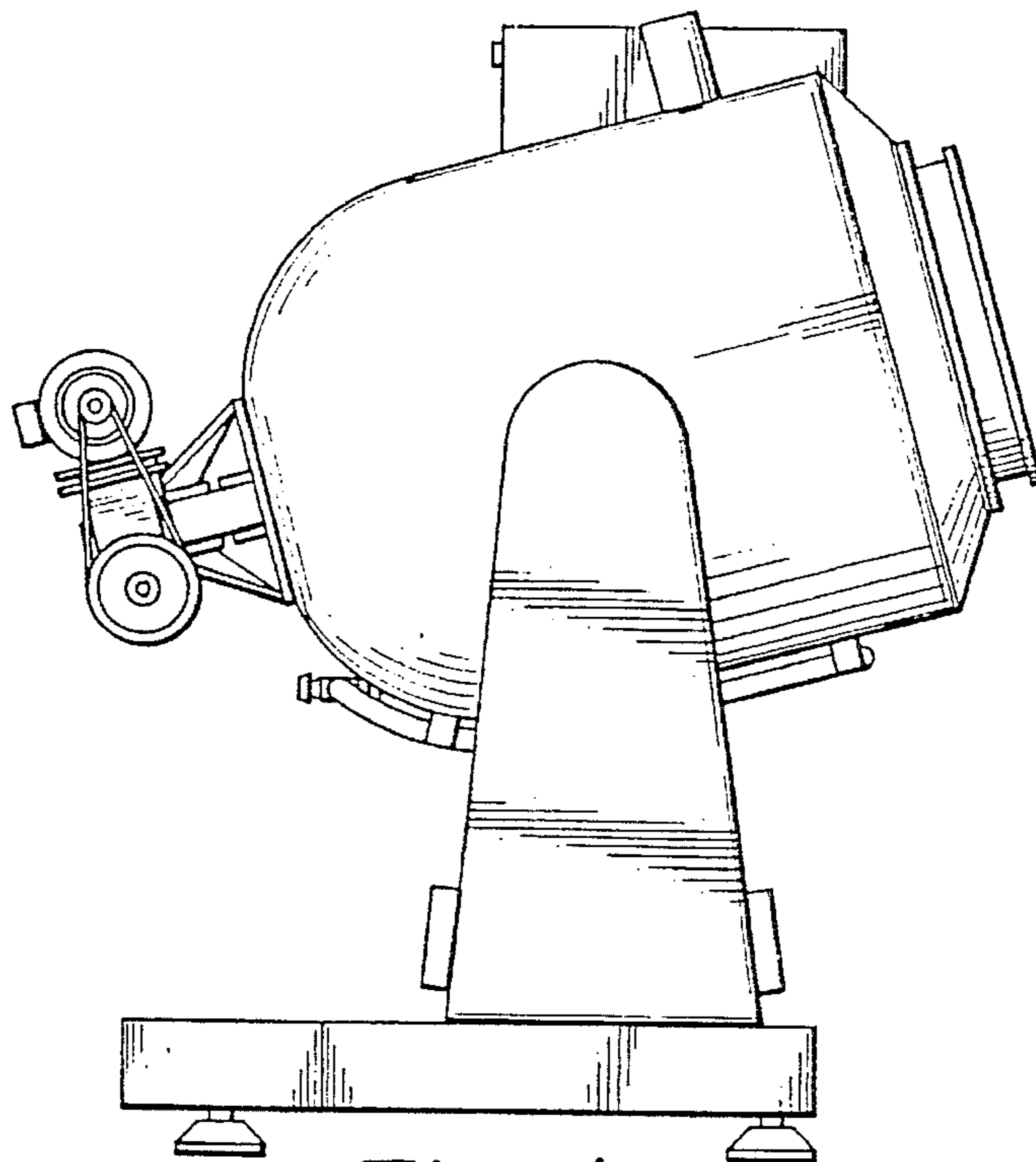


Fig.4

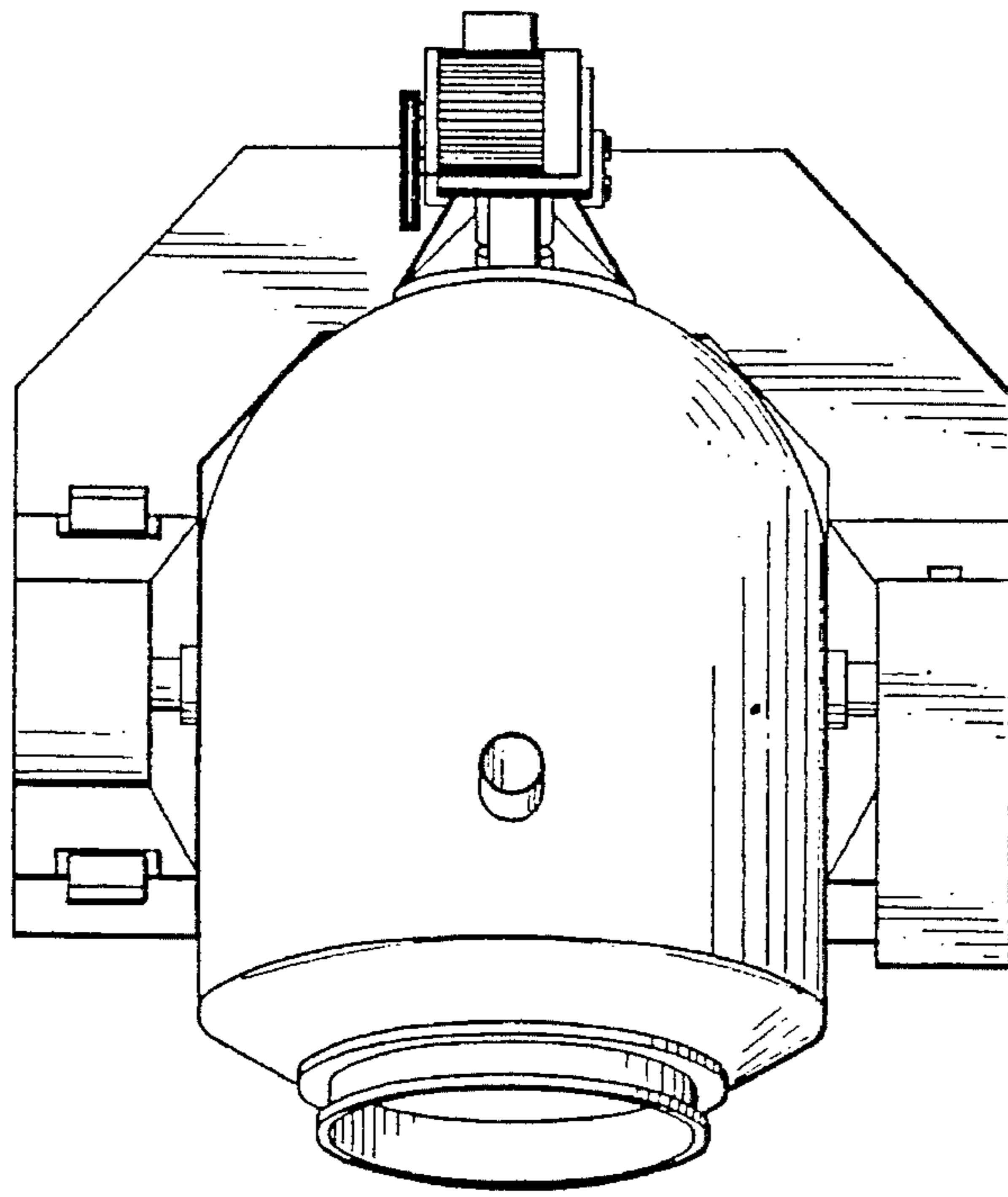


Fig. 6

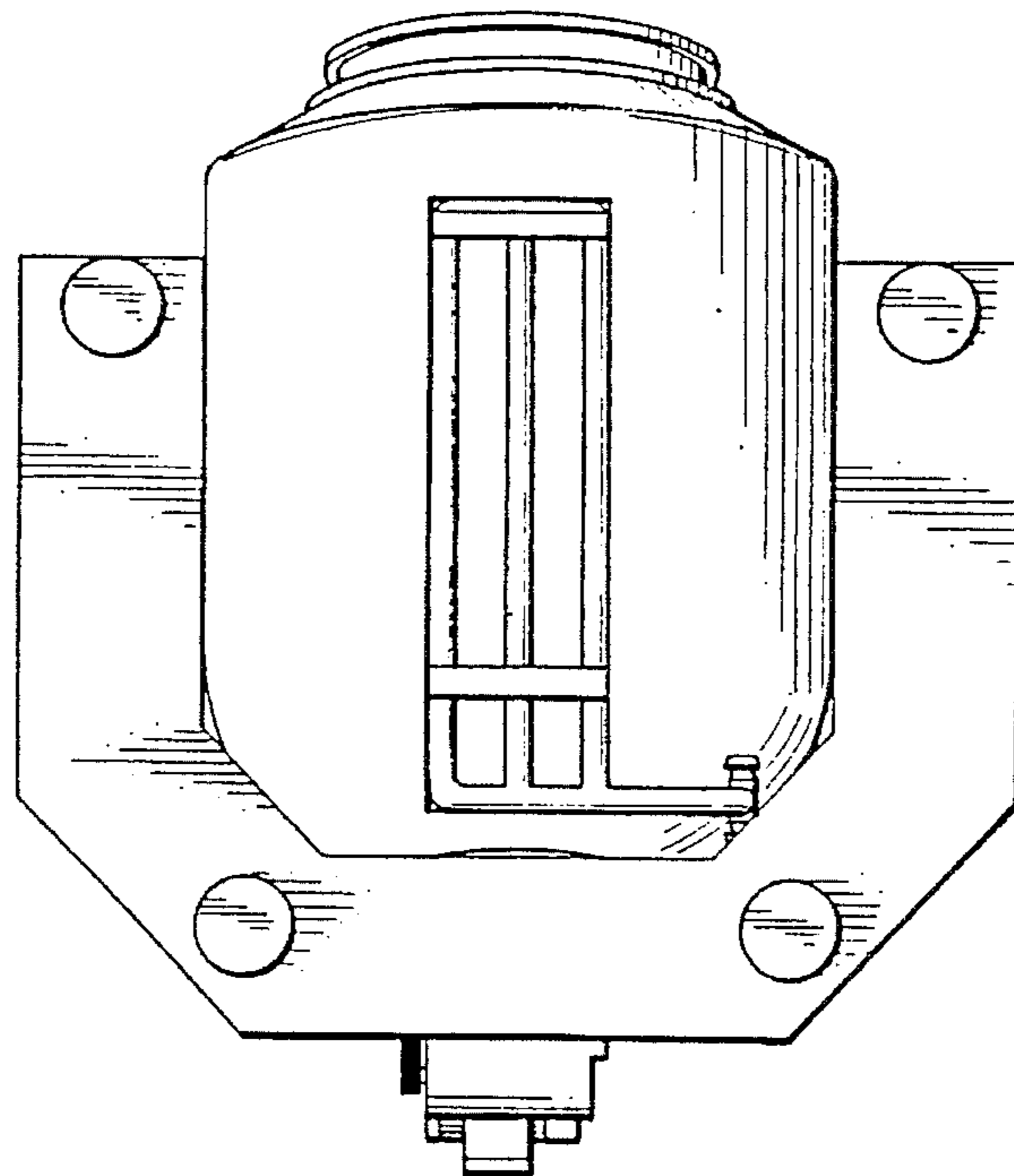


Fig. 7