



US00D366181S

# United States Patent [19]

Rossiaud

[11] Patent Number: **Des. 366,181**

[45] Date of Patent: **\*\*Jan. 16, 1996**

[54] **FRYING-PAN**

3,157,909 11/1964 Schmitt ..... 16/114 A  
3,431,006 3/1969 Makita ..... D7/395 X

[75] Inventor: **Gil-Francois Rossiaud**, Annecy, France

[73] Assignee: **Tefal S.A.**, Rumilly, France

[\*\*] Term: **14 Years**

*Primary Examiner*—Alan P. Douglas  
*Assistant Examiner*—Caron D. Veynar  
*Attorney, Agent, or Firm*—Young & Thompson

[21] Appl. No.: **23,986**

### [57] CLAIM

[22] Filed: **Jun. 6, 1994**

The ornamental design for a frying-pan, as shown and described.

### [30] Foreign Application Priority Data

### DESCRIPTION

Dec. 10, 1993 [FR] France ..... 936478

[52] U.S. Cl. .... **D7/361**; D7/395

[58] Field of Search ..... D7/354-361, 393,  
D7/395; D8/107; 16/110 R, 110 A, 114 R,  
114 A; 99/324, 325, 339, 345, 425, 426;  
220/912

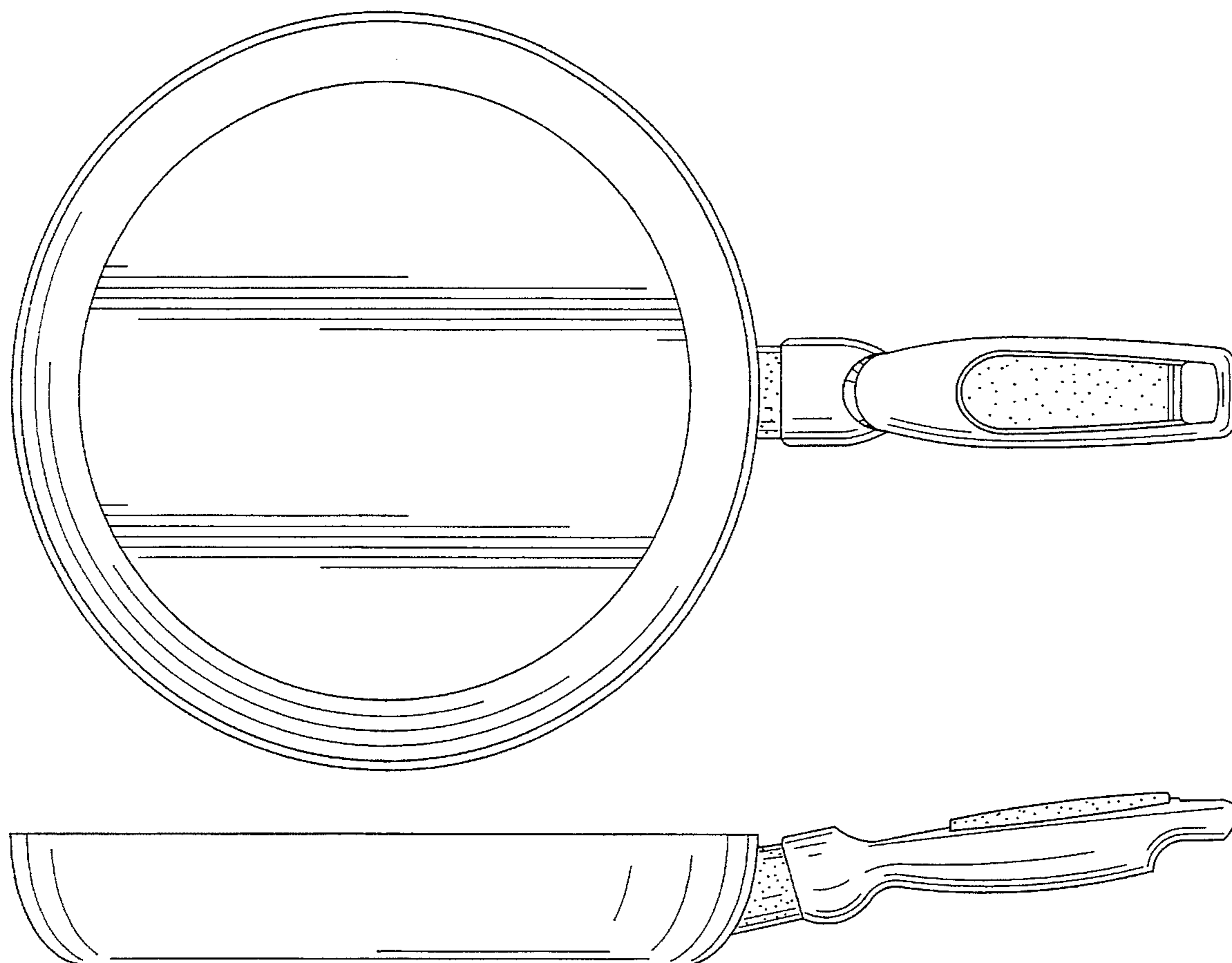
FIG. 1 is a view of the frying pan from above;  
FIG. 2 is a side view of the frying pan, the opposite side is a mirror image;  
FIG. 3 is a bottom view of the frying pan;  
FIG. 4 is a frontal view of the frying pan; and,  
FIG. 5 is a rear view of the frying pan.

### [56] References Cited

#### U.S. PATENT DOCUMENTS

D. 306,679 3/1990 Schultz ..... D7/361

**1 Claim, 3 Drawing Sheets**



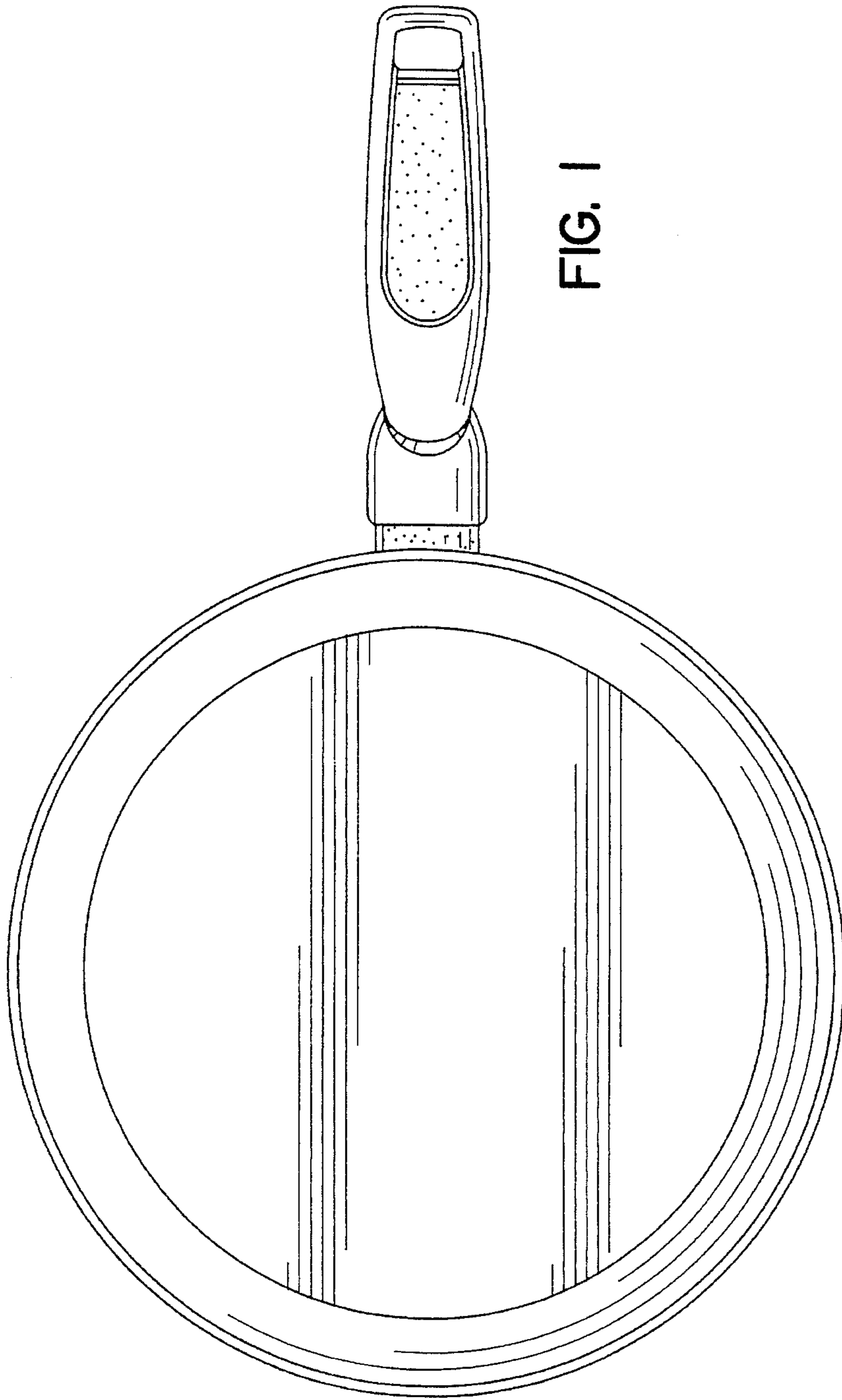


FIG. 1

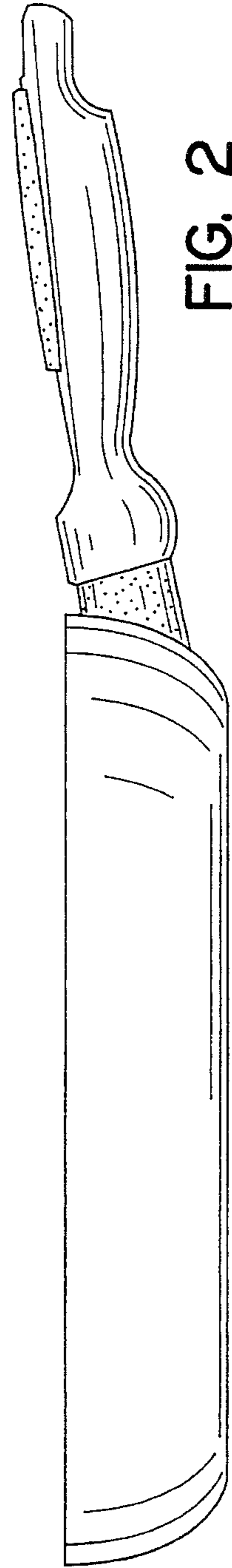


FIG. 2

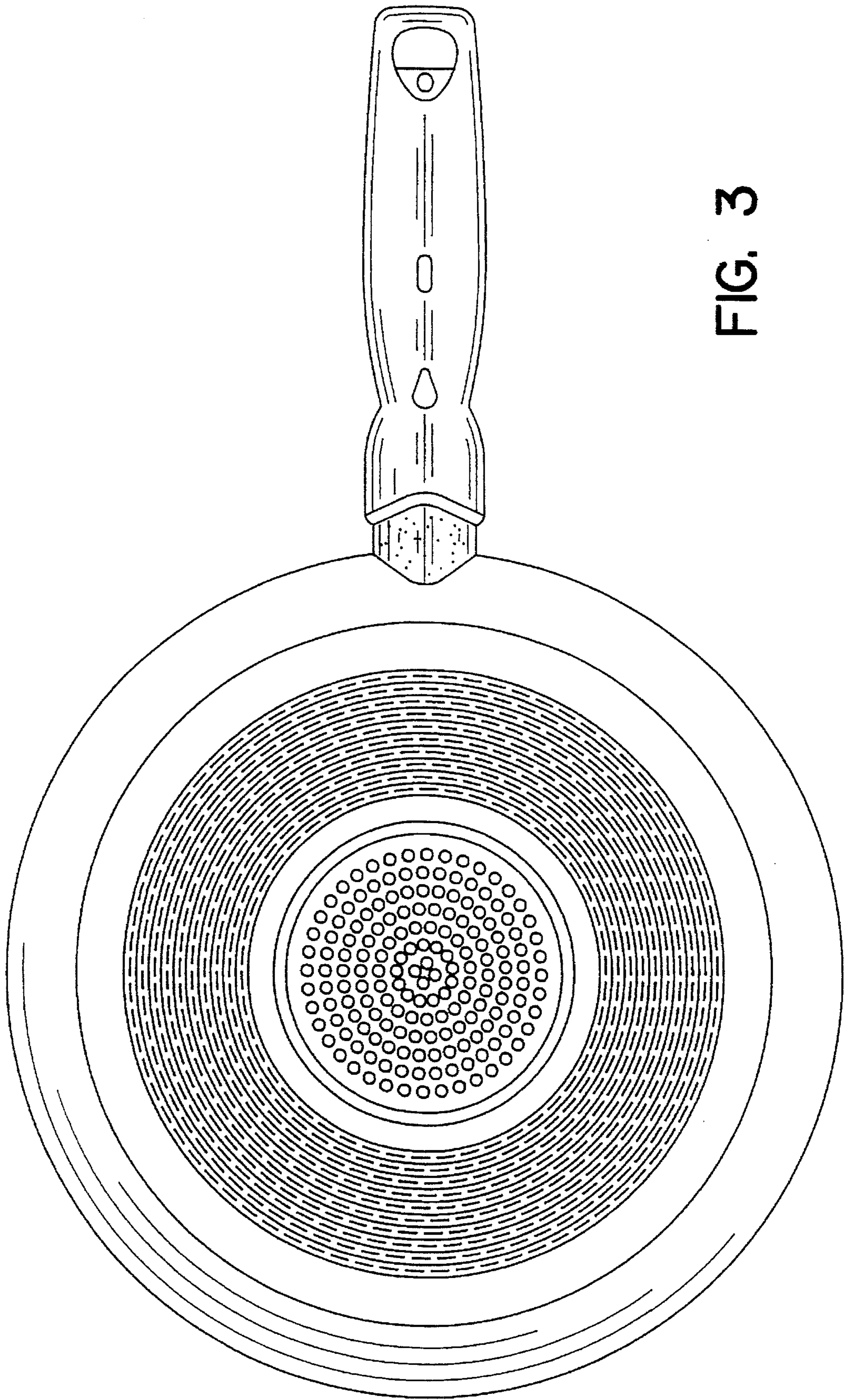


FIG. 3

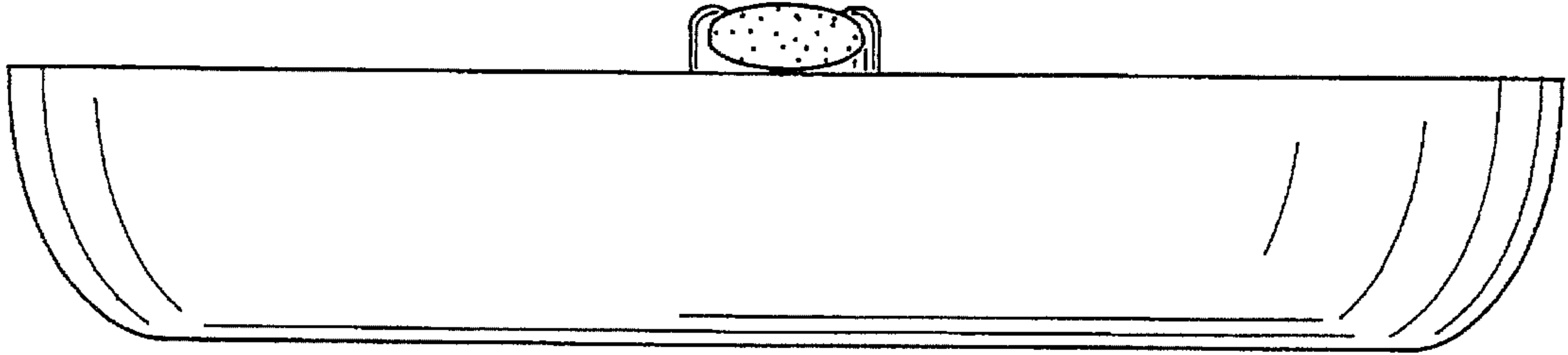


FIG. 4

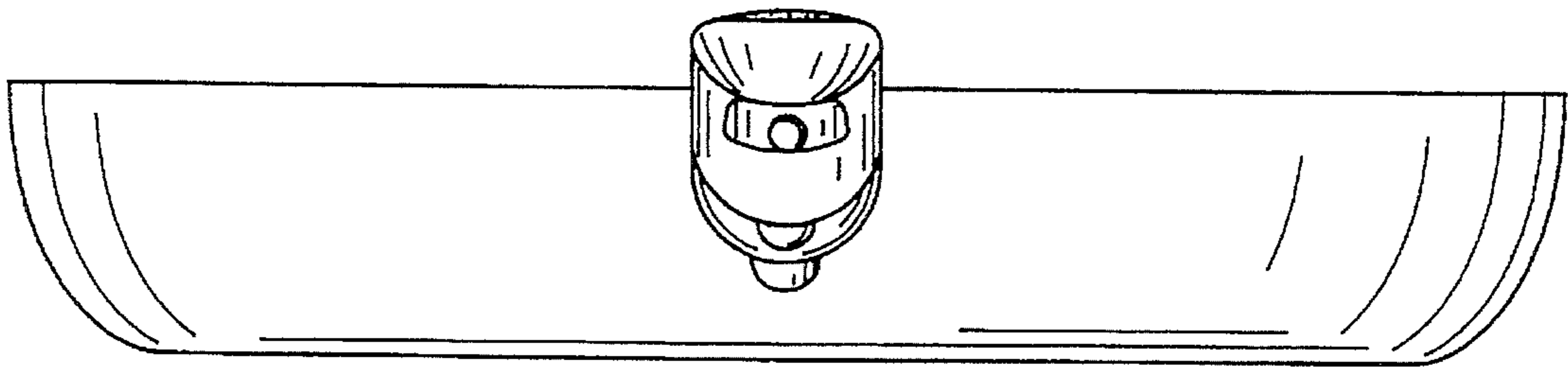


FIG. 5