



US00D366180S

United States Patent [19] Littmann

[11] Patent Number: **Des. 366,180**

[45] Date of Patent: ****Jan. 16, 1996**

[54] **ESPRESSO-MACHINE** 4,951,556 8/1990 Ng D7/309 X

[75] Inventor: **Ludwig Littmann**, Kronberg, Germany

[73] Assignee: **Braun Aktiengesellschaft**, Kronberg, Germany

[**] Term: **14 Years**

[21] Appl. No.: **26,081**

[22] Filed: **Jul. 19, 1994**

[30] Foreign Application Priority Data

Feb. 3, 1994 [WO] WIPO DM/028604

[52] U.S. Cl. **D7/309; D7/311**

[58] Field of Search D7/300, 305, 309, D7/310, 311, 307, 308; 97/306, 295

[56] References Cited

U.S. PATENT DOCUMENTS

D. 292,258	10/1987	Diefenbach	D7/311 X
D. 298,402	11/1988	Seiffert	D7/310 X
D. 299,998	2/1989	Seiffert	D7/309
D. 299,999	2/1989	Pandolfi	D7/309
D. 300,104	3/1989	Cortese	D7/311 X
D. 328,684	8/1992	Diefenbach	.	
D. 331,522	12/1992	Littmann	D7/309
D. 336,206	6/1993	Littmann	D7/309
D. 338,590	8/1993	Dingelstad et al.	D7/309
D. 344,206	2/1994	Azpiri	D7/311 X
4,632,024	12/1986	Cortese	D7/309 X

FOREIGN PATENT DOCUMENTS

8904870.9	7/1989	Germany .
8907499	10/1989	Germany .
014207	7/1989	WIPO .
026555	8/1992	WIPO .

OTHER PUBLICATIONS

Krups Espresso Mini Advertisement.
159 Mark Espresso Machine, Schöner Wohnen Jul. 1988 p. 67.

Primary Examiner—Antoine Duval Davis
Assistant Examiner—M. N. Pandozzi
Attorney, Agent, or Firm—Fish & Richardson

[57] CLAIM

The ornamental design for an espresso-machine, as shown and described.

DESCRIPTION

FIG. 1 is a front, left side perspective view of an espresso-machine showing my new design;
FIG. 2 is a front elevational view thereof;
FIG. 3 is a right side elevational view thereof;
FIG. 4 is a left side elevational view thereof;
FIG. 5 is a rear elevational view thereof;
FIG. 6 is a top plan view thereof; and,
FIG. 7 is a bottom plan view thereof.

1 Claim, 4 Drawing Sheets

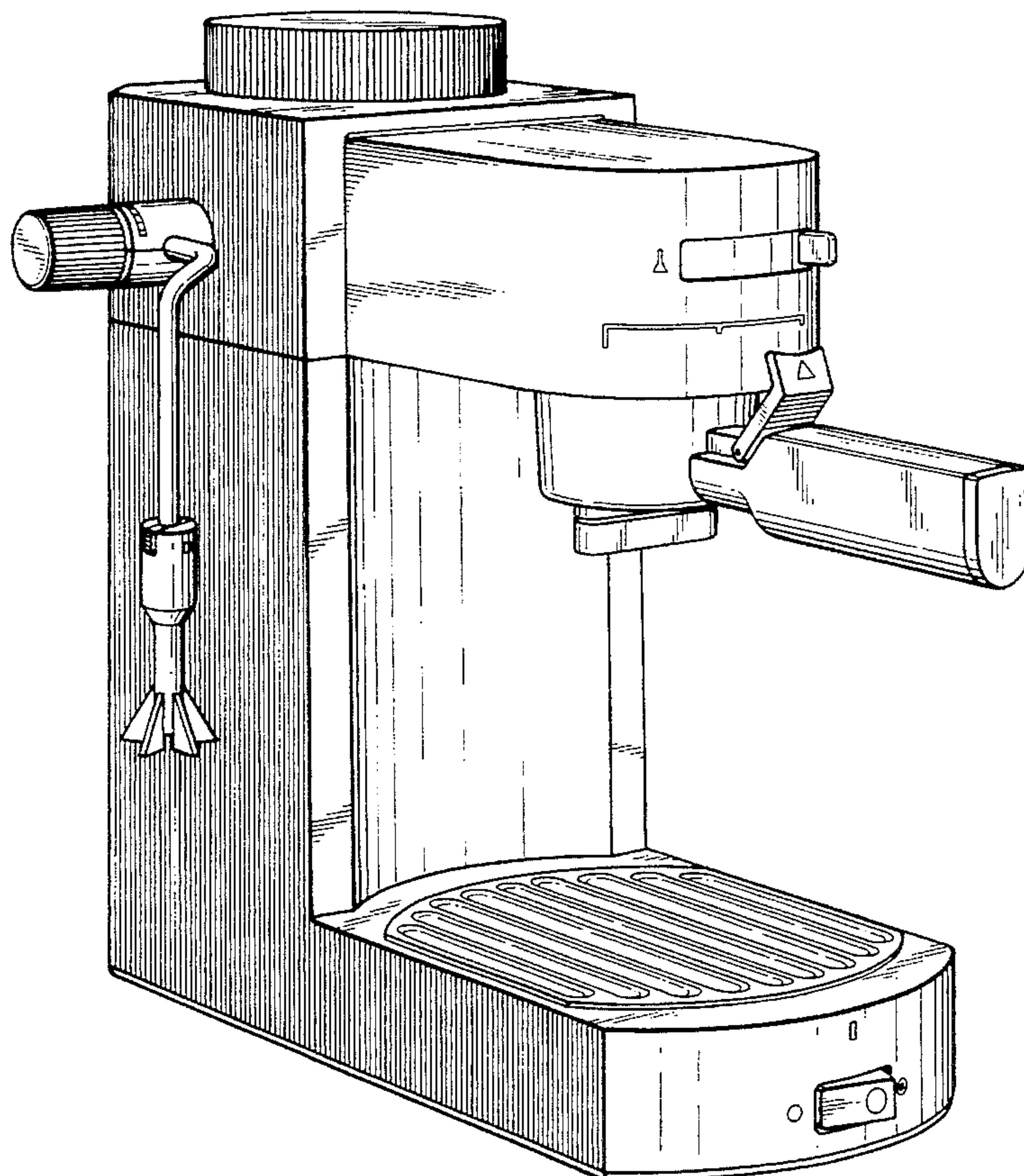


Fig. 1

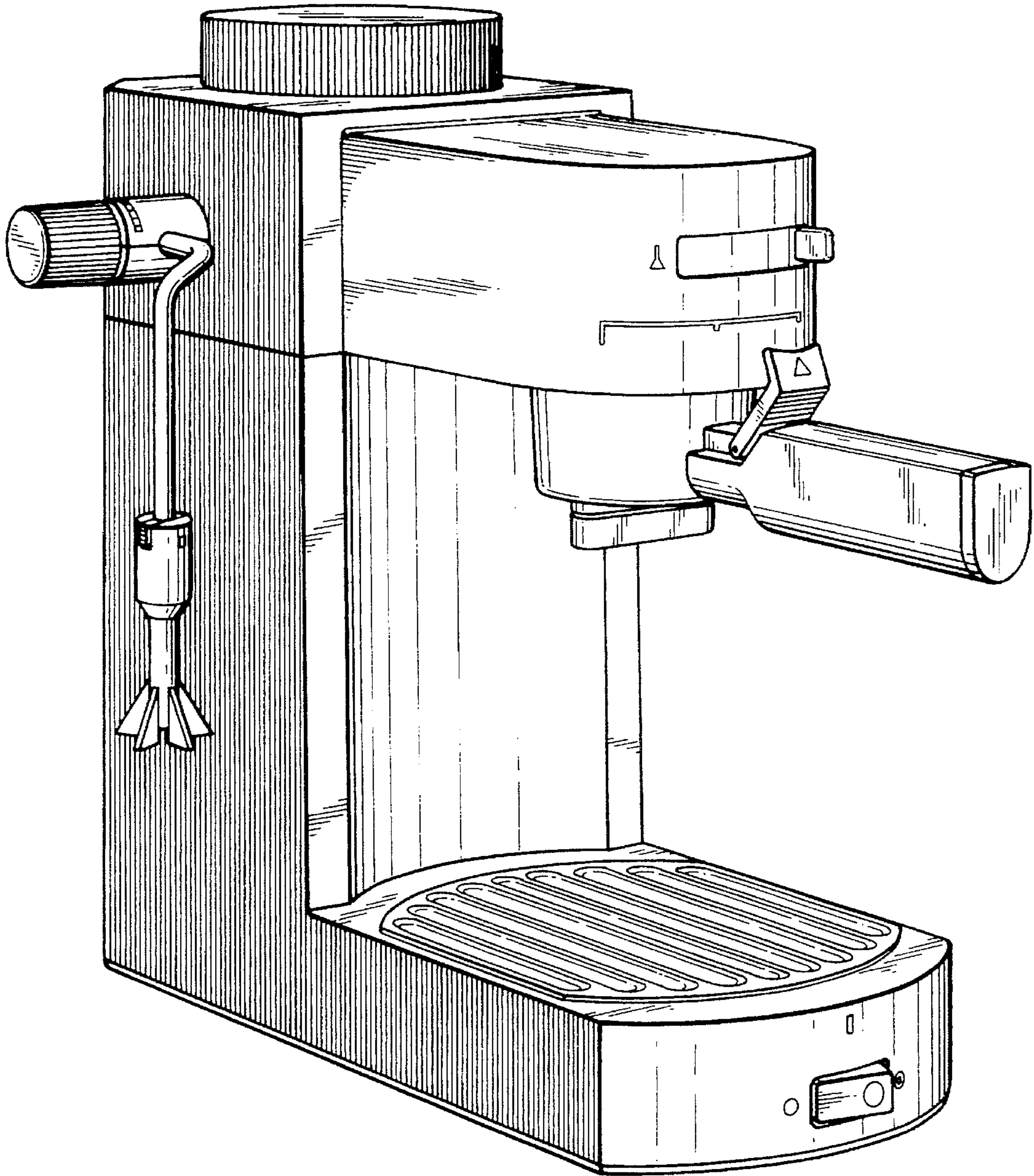


Fig. 5

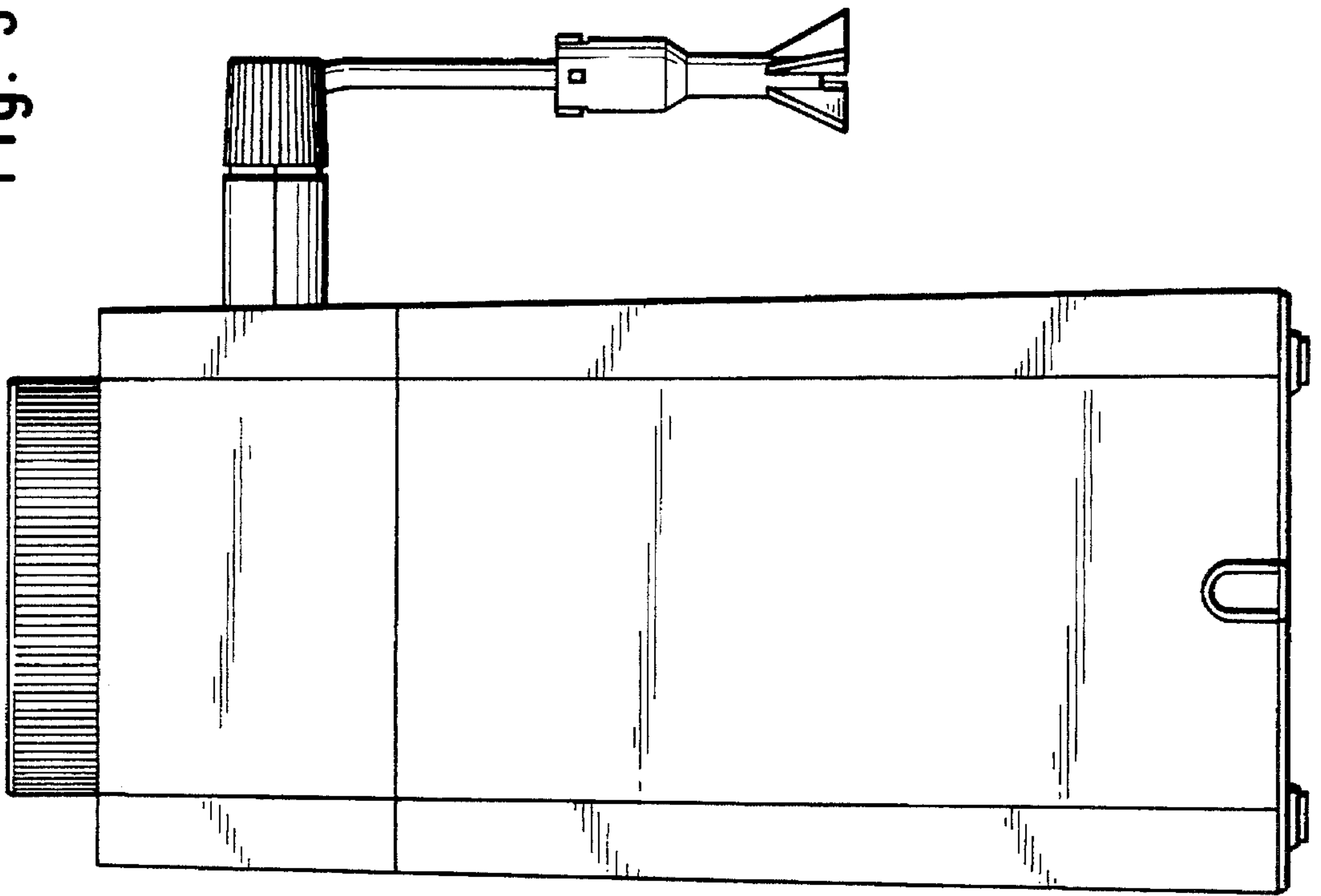


Fig. 2

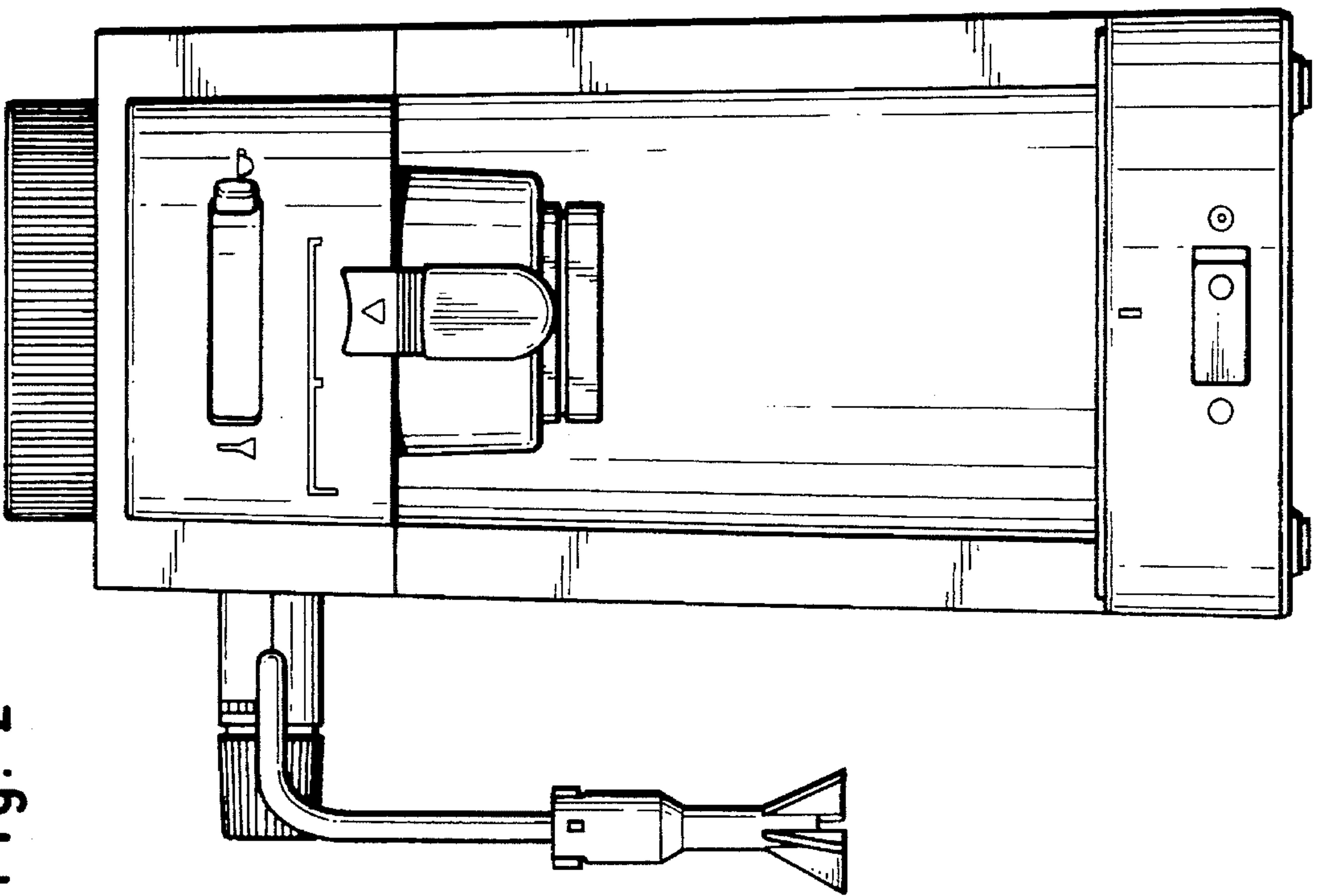


Fig. 3

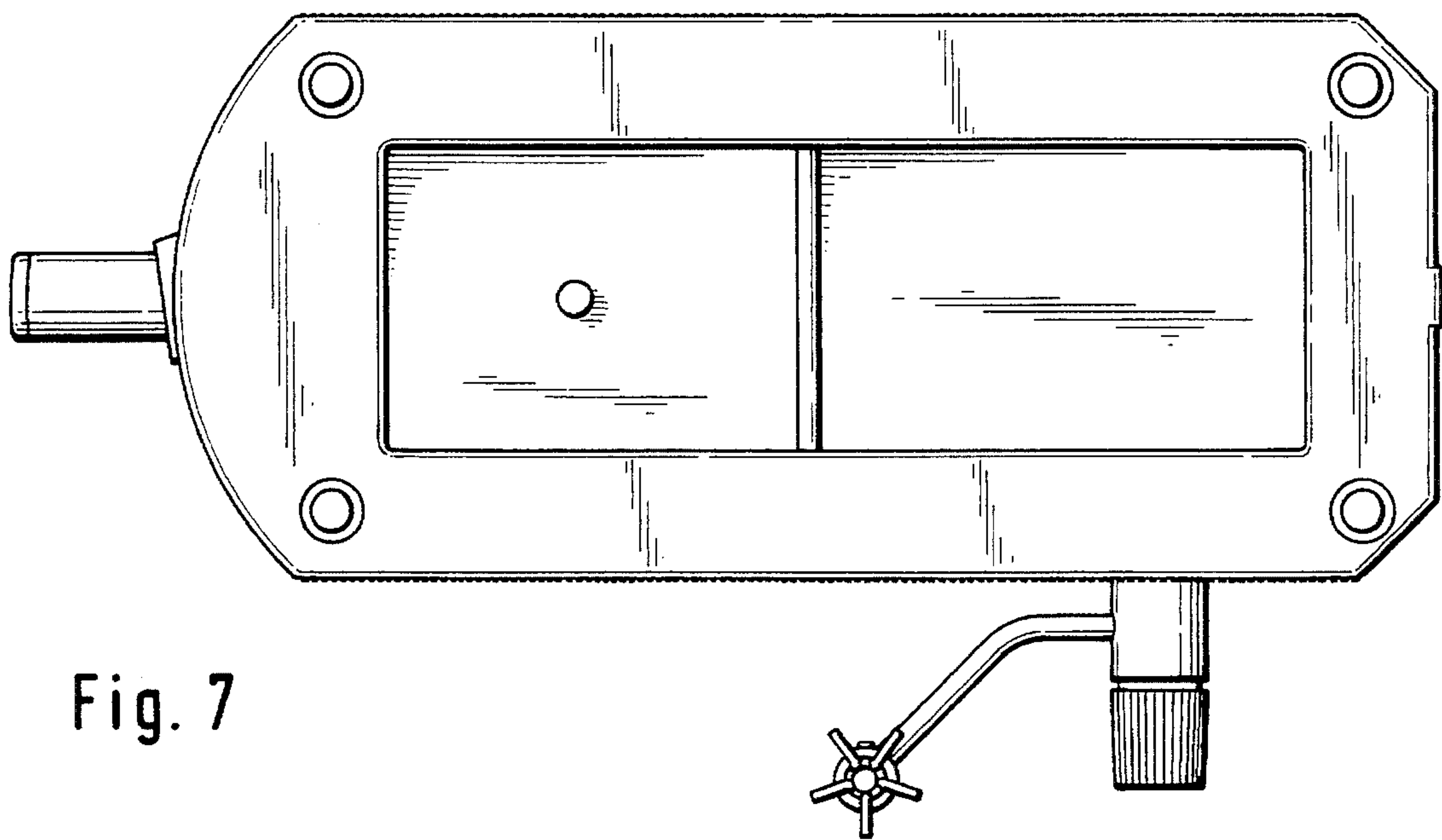
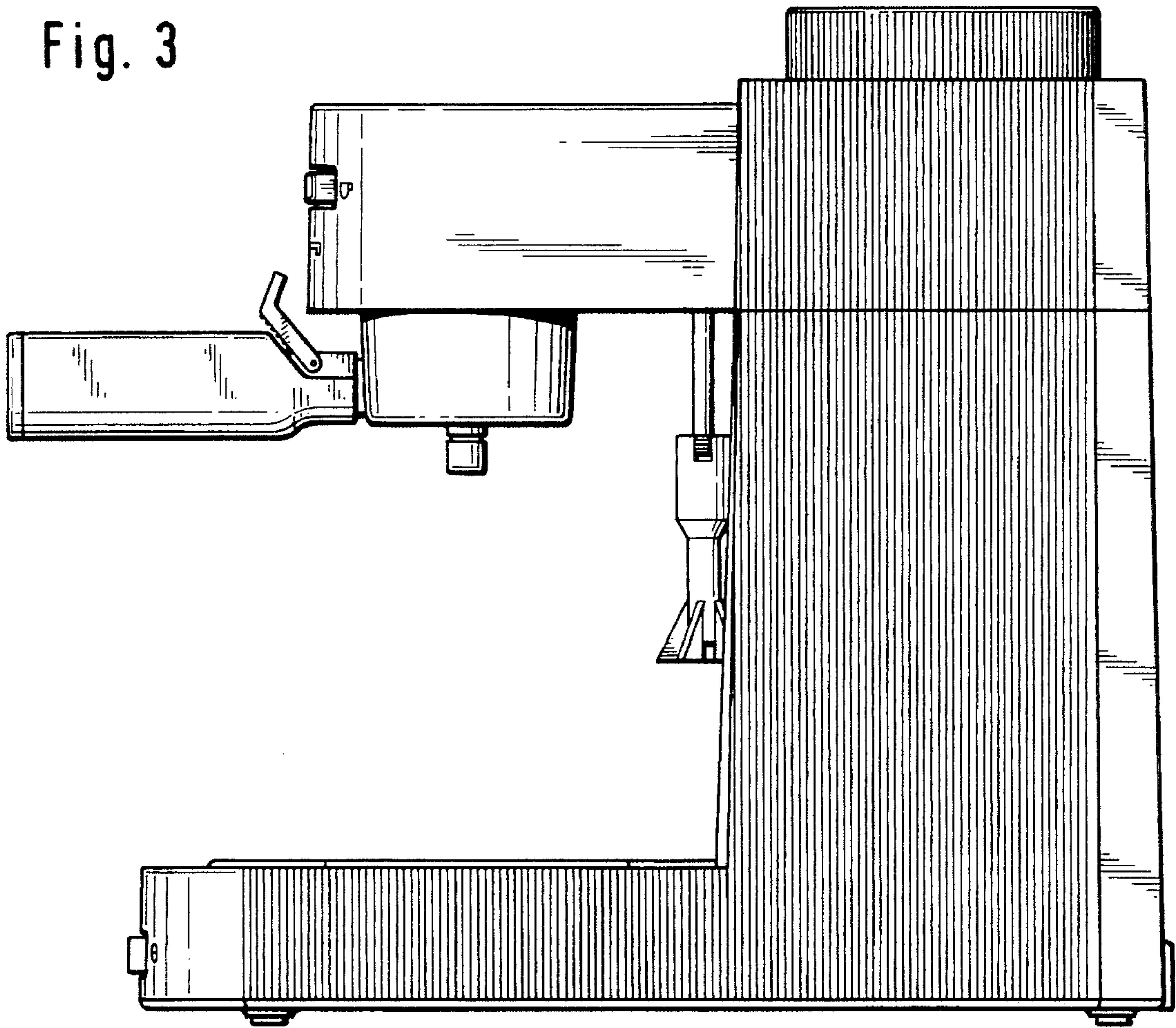


Fig. 7

Fig. 6

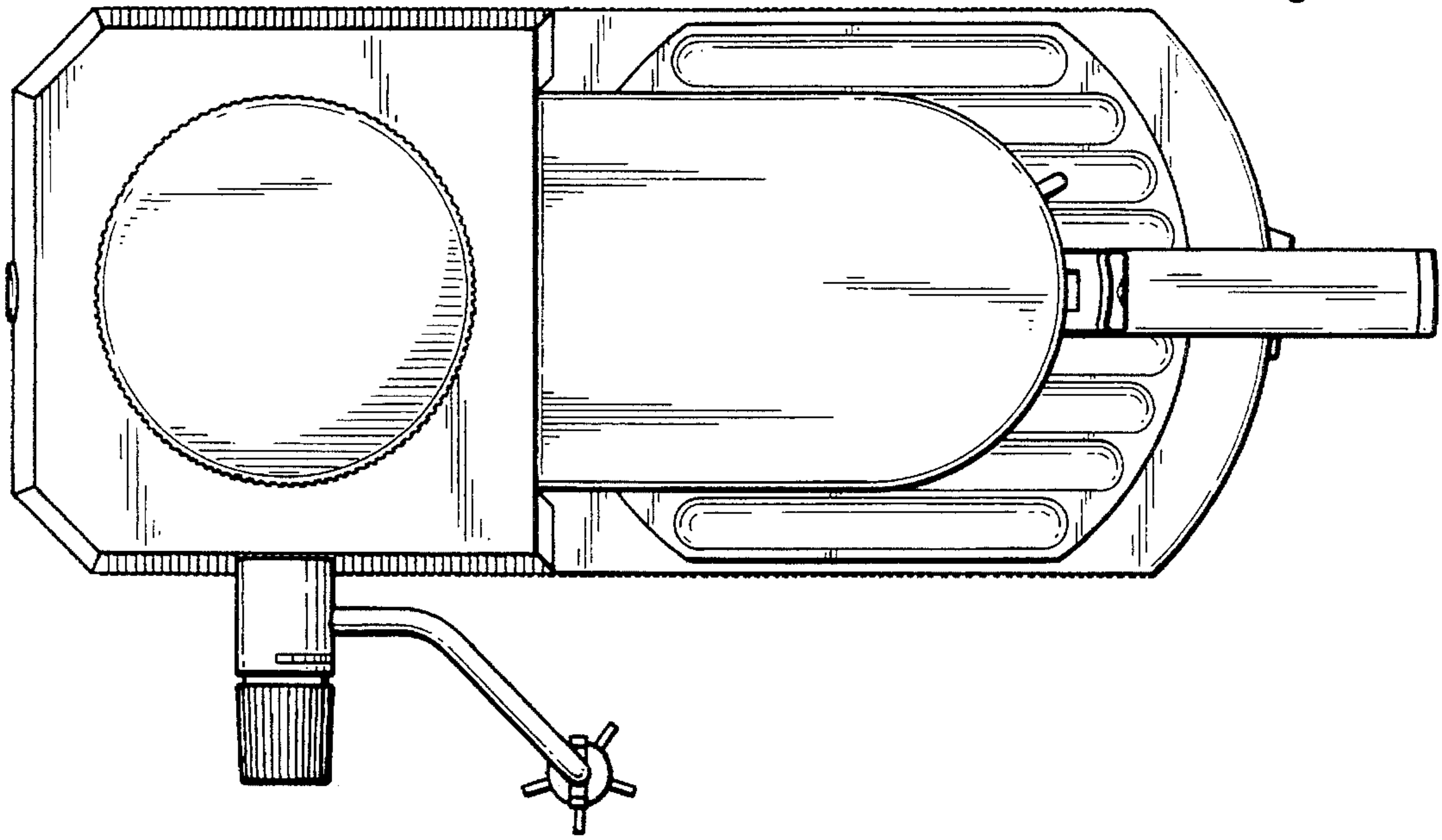


Fig. 4

