



US00D366171S

United States Patent [19]
Green

[11] **Patent Number: Des. 366,171**

[45] **Date of Patent: **Jan. 16, 1996**

[54] **TOOTHBRUSH HOLDING DEVICE FOR A TOOTHPASTE CANISTER**

[76] Inventor: **Mark A. Green**, 3729 Greymont Dr., San Jose, Calif. 95136

[**] Term: **14 Years**

[21] Appl. No.: **34,208**

[22] Filed: **Jan. 30, 1995**

[52] U.S. Cl. **D6/534**

[58] Field of Search D6/528, 530, 534;
211/65, 66; 206/362, 362.1, 362.2, 362.3;
222/93, 105

[56] **References Cited**

U.S. PATENT DOCUMENTS

D. 308,475	6/1990	Gastwirt	D6/530 X
D. 312,182	11/1990	Ritchie	D6/528
D. 314,109	1/1991	Jordan	D6/528
4,705,194	11/1987	Judge	222/93 X

Primary Examiner—Brian N. Vinson
Attorney, Agent, or Firm—David L. Baker; Rhodes & Ascolillo

[57] **CLAIM**

The ornamental design for a toothbrush holding device for a toothpaste canister, as shown and described.

DESCRIPTION

FIG. 1 is a perspective view of a toothbrush holding device for a toothpaste canister showing my new design therefor. The broken line drawings representing a toothpaste canister and a toothbrush are for purposes of illustration only and form no part of my design;

FIG. 2 is a top plan view;

FIG. 3 is a front elevational view, the rear elevational view being a mirror-image thereof;

FIG. 4 is a right side elevational view, the left side elevational view being a mirror-image thereof; and,

FIG. 5 is a bottom plan view.

1 Claim, 3 Drawing Sheets

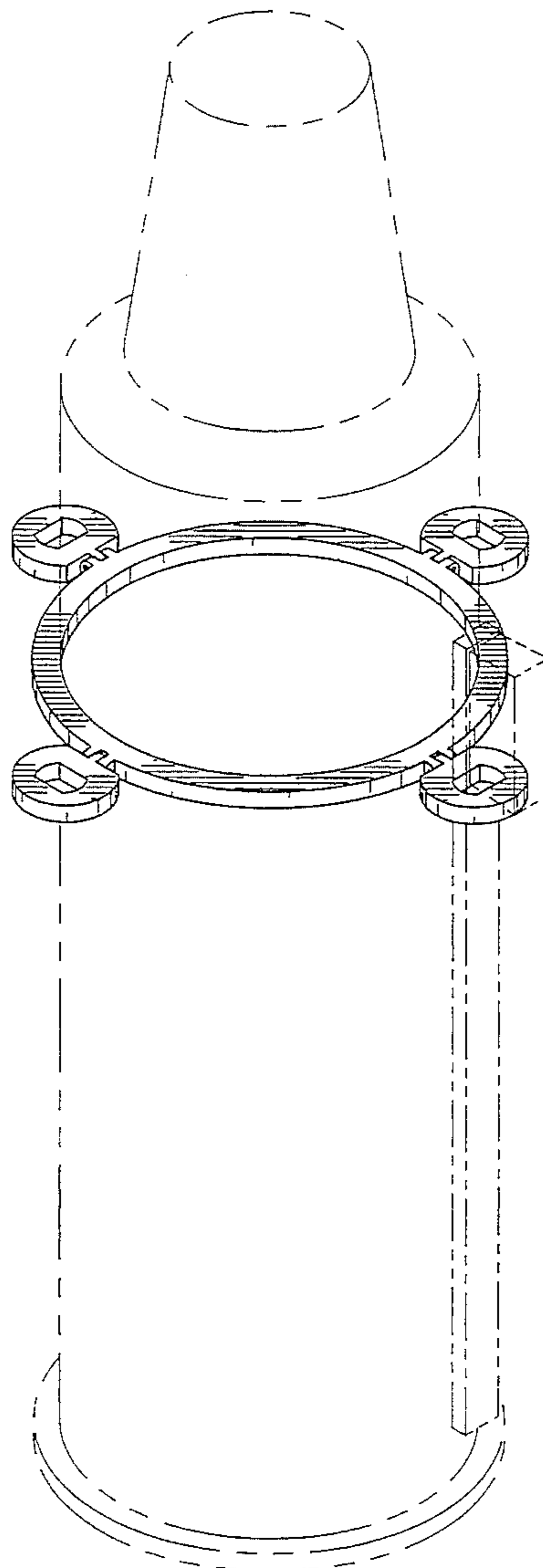


FIG. 1

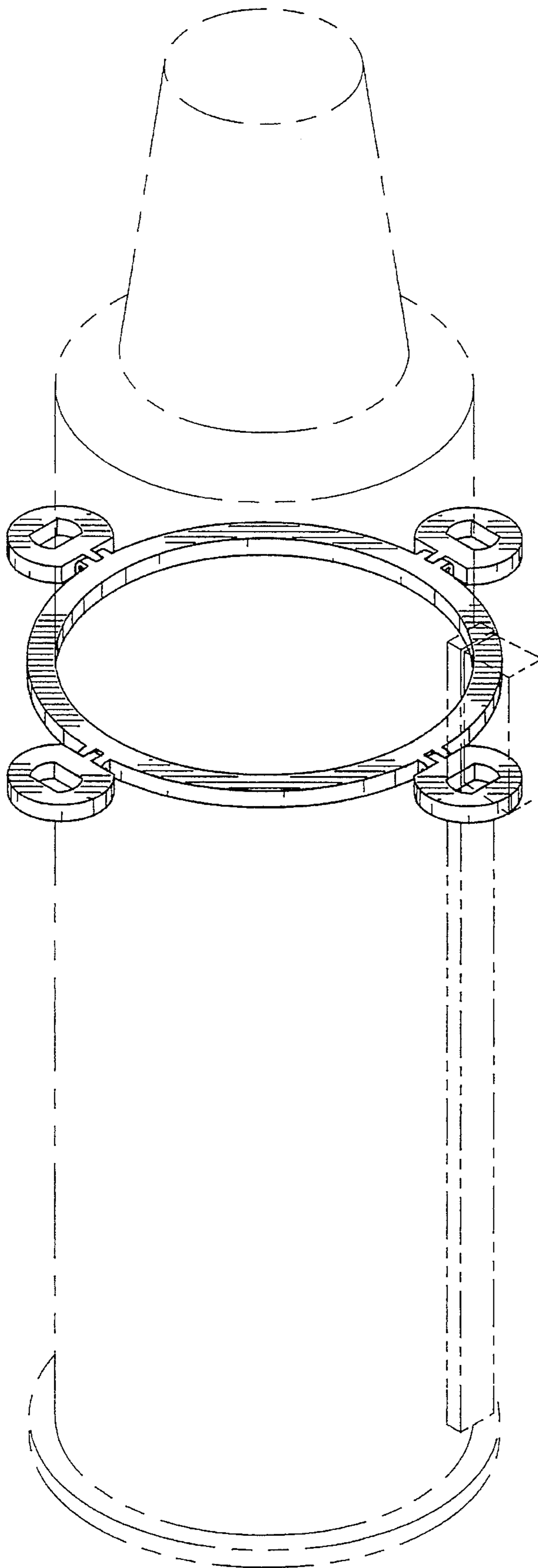


FIG. 2

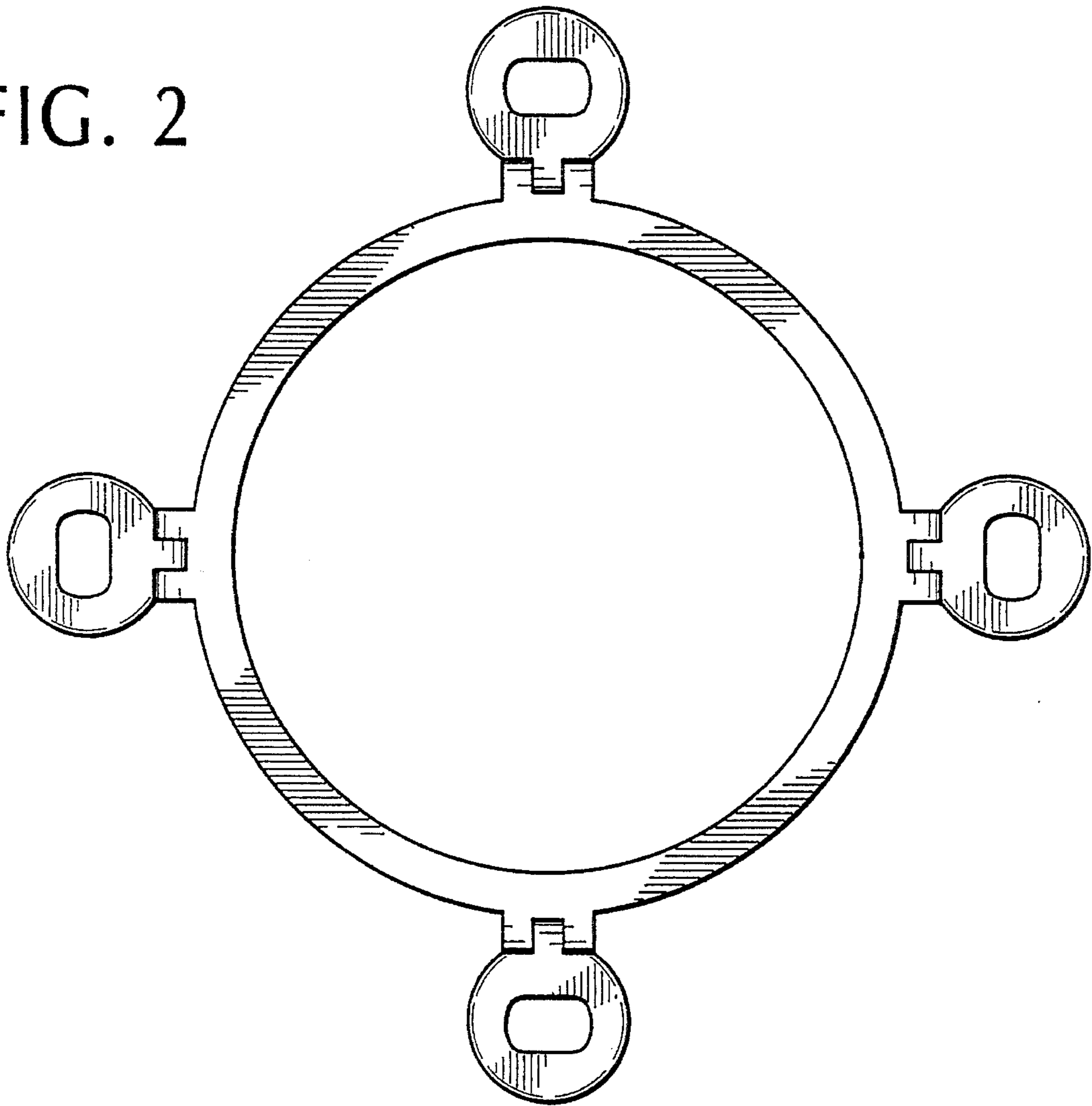


FIG. 3



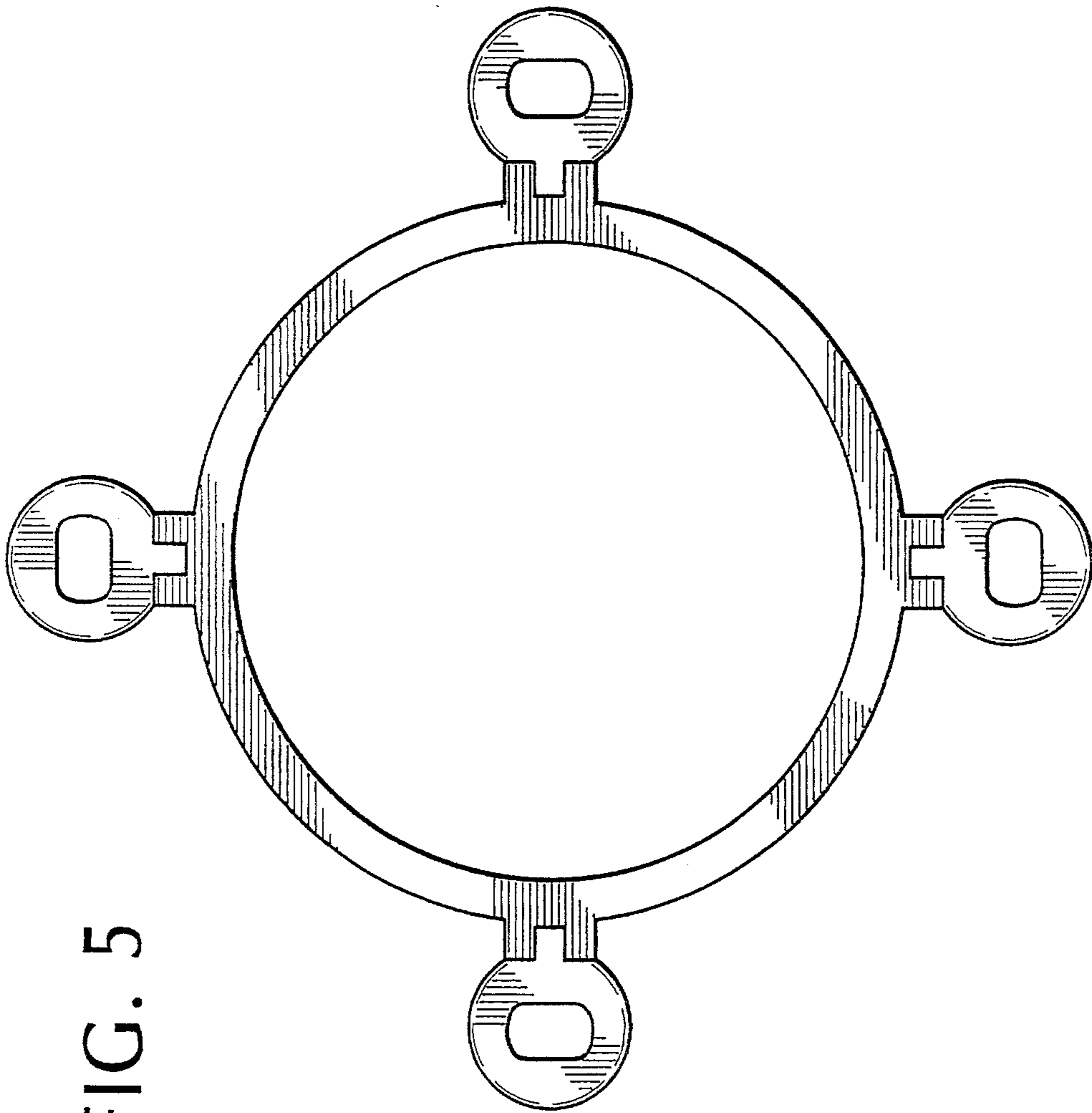


FIG. 5

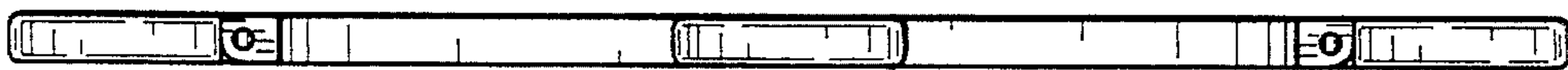


FIG. 4