



US00D366170S

United States Patent [19]
Temple

[11] **Patent Number: Des. 366,170**
[45] **Date of Patent: **Jan. 16, 1996**

[54] **TRAY TABLE FOR A DECK**
[76] Inventor: **Charles E. Temple**, 1073 Stafford Rd.,
Apt. 1 South, Tiverton, R.I. 02878
[**] Term: **14 Years**
[21] Appl. No.: **28,596**
[22] Filed: **Sep. 26, 1994**
[52] U.S. Cl. **D6/511; D19/92**
[58] Field of Search D6/509-511, 491,
D6/555, 572, 574; 108/44-46, 47, 48, 49,
152, 27, 97; 248/214; 211/88, 90, 135;
D7/550

4,062,299 12/1977 Smith 108/42

FOREIGN PATENT DOCUMENTS

491944 4/1953 Canada 108/97

Primary Examiner—Janice E. Seeger
Attorney, Agent, or Firm—James A. Hudak

[57] **CLAIM**

The ornamental design for a tray table for a deck, as shown and described.

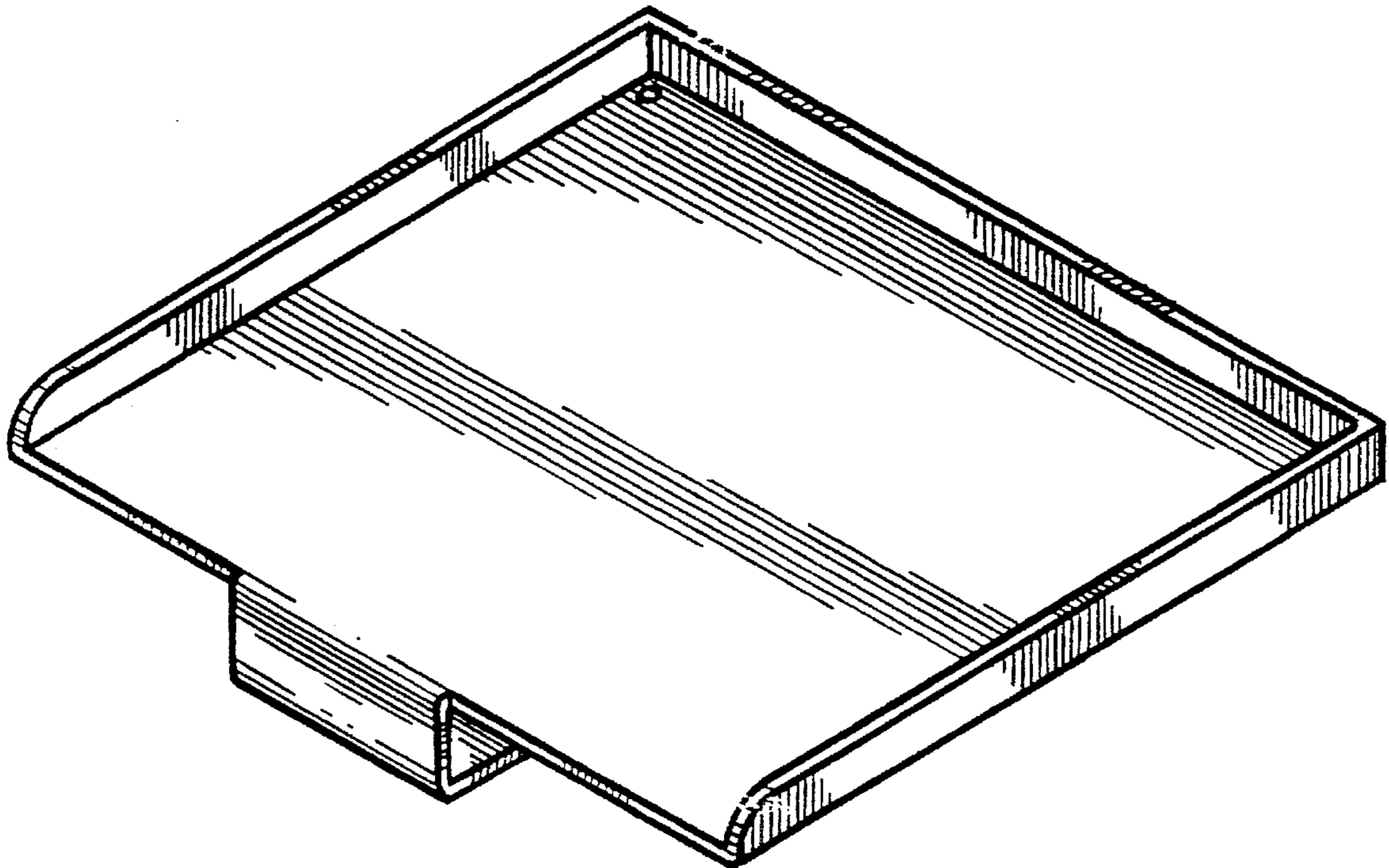
DESCRIPTION

FIG. 1 is a perspective view of the tray table for a deck showing my new design;
FIG. 2 is a front elevational view thereof;
FIG. 3 is a rear elevational view thereof;
FIG. 4 is a left side elevational view thereof, the right side elevational view being a mirror image of the view shown in this figure;
FIG. 5 is a top plan view thereof; and,
FIG. 6 is a bottom plan view thereof.

[56] **References Cited**
U.S. PATENT DOCUMENTS

D. 317,983 7/1991 Gilbreath D19/86 X
3,017,219 1/1962 Mallet 297/135
3,095,835 7/1963 Smith D6/511 X
3,199,467 8/1965 Compton 108/49
3,276,045 10/1966 Bement 108/49
3,807,319 4/1974 Steanson, Jr. 108/42

1 Claim, 3 Drawing Sheets



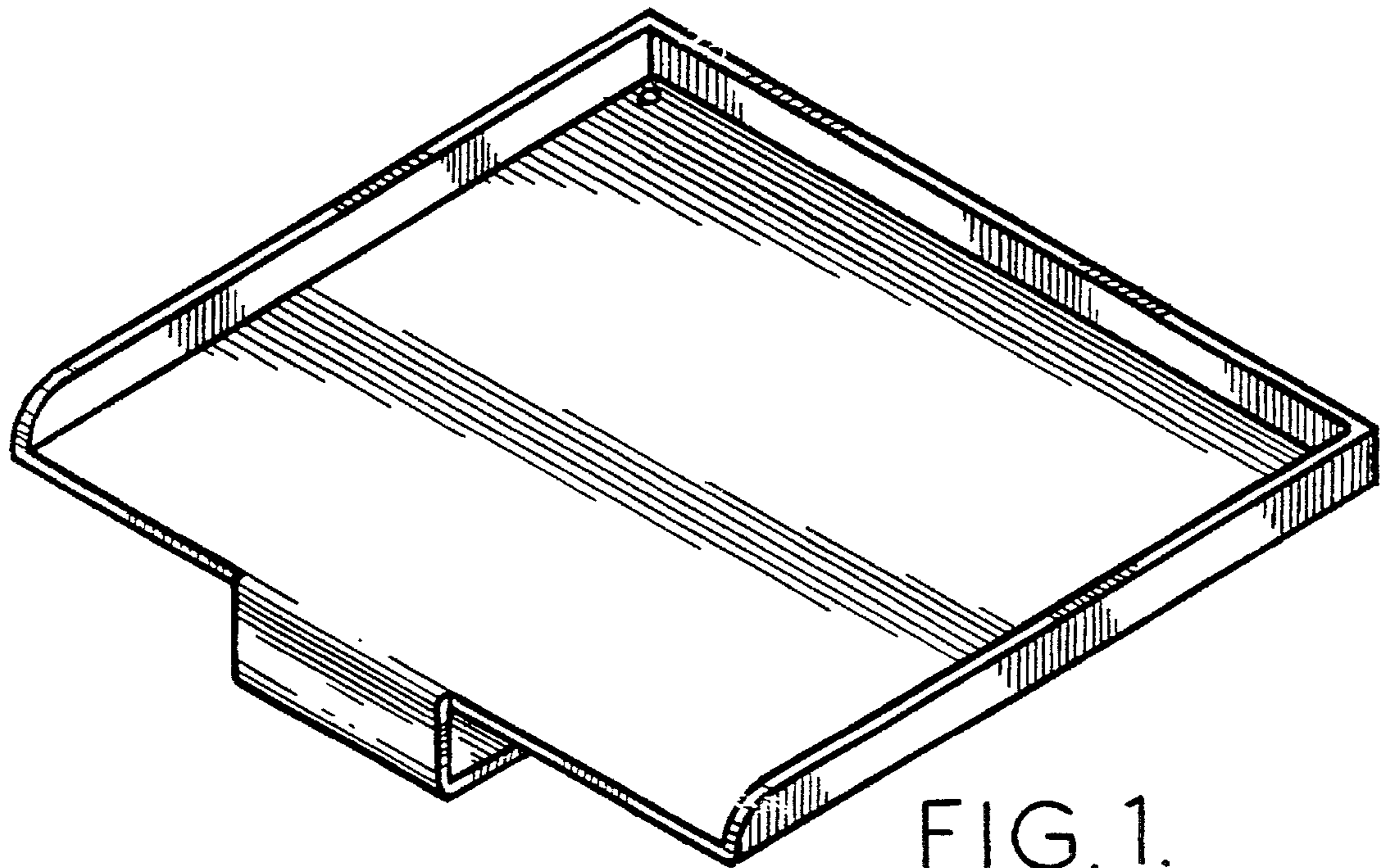


FIG. 1.

FIG. 5.

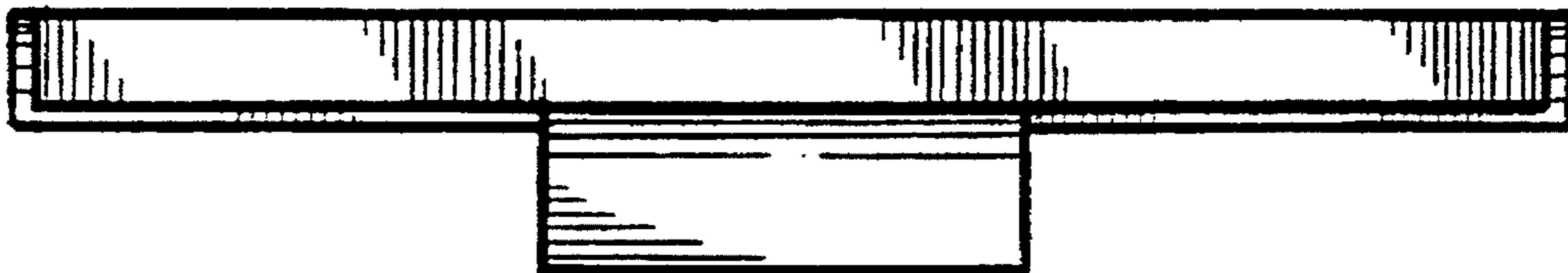
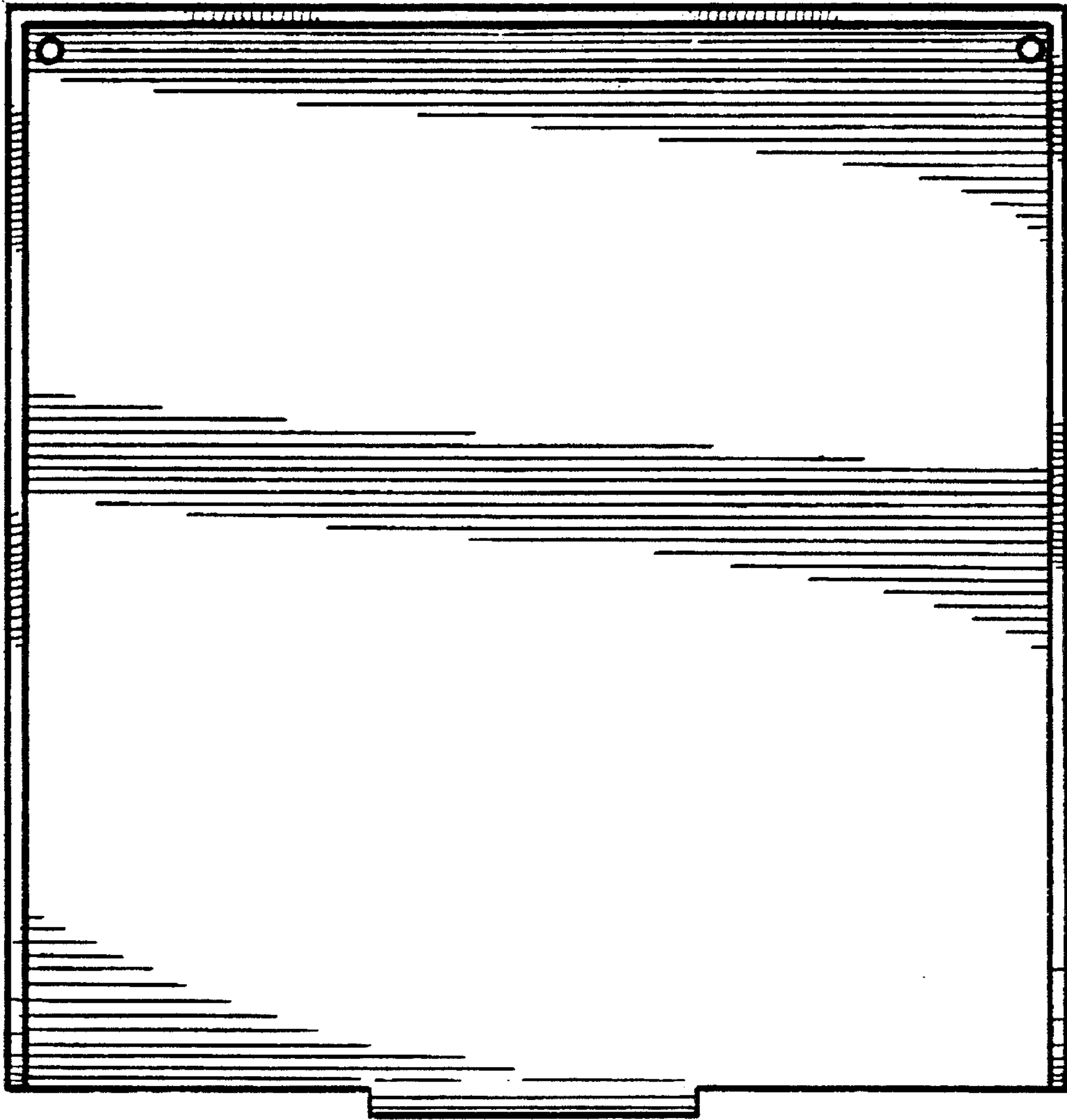


FIG. 2.

FIG. 4.

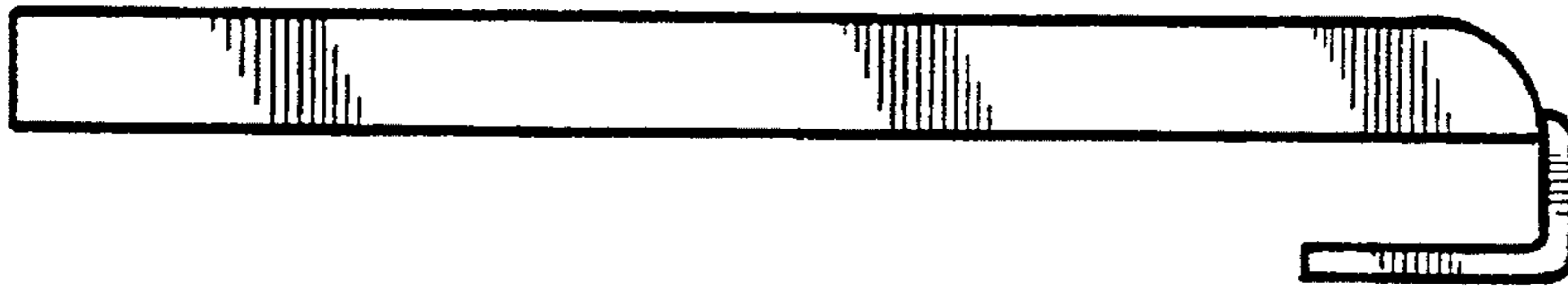


FIG. 6.

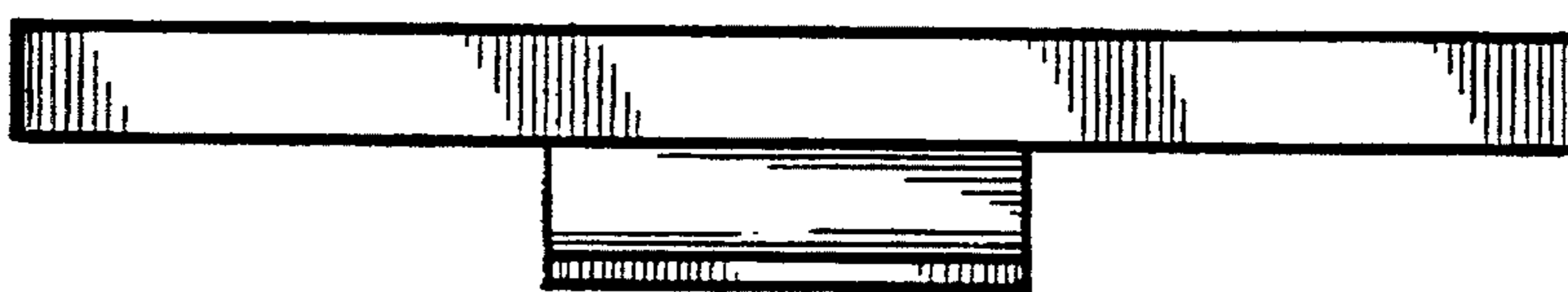
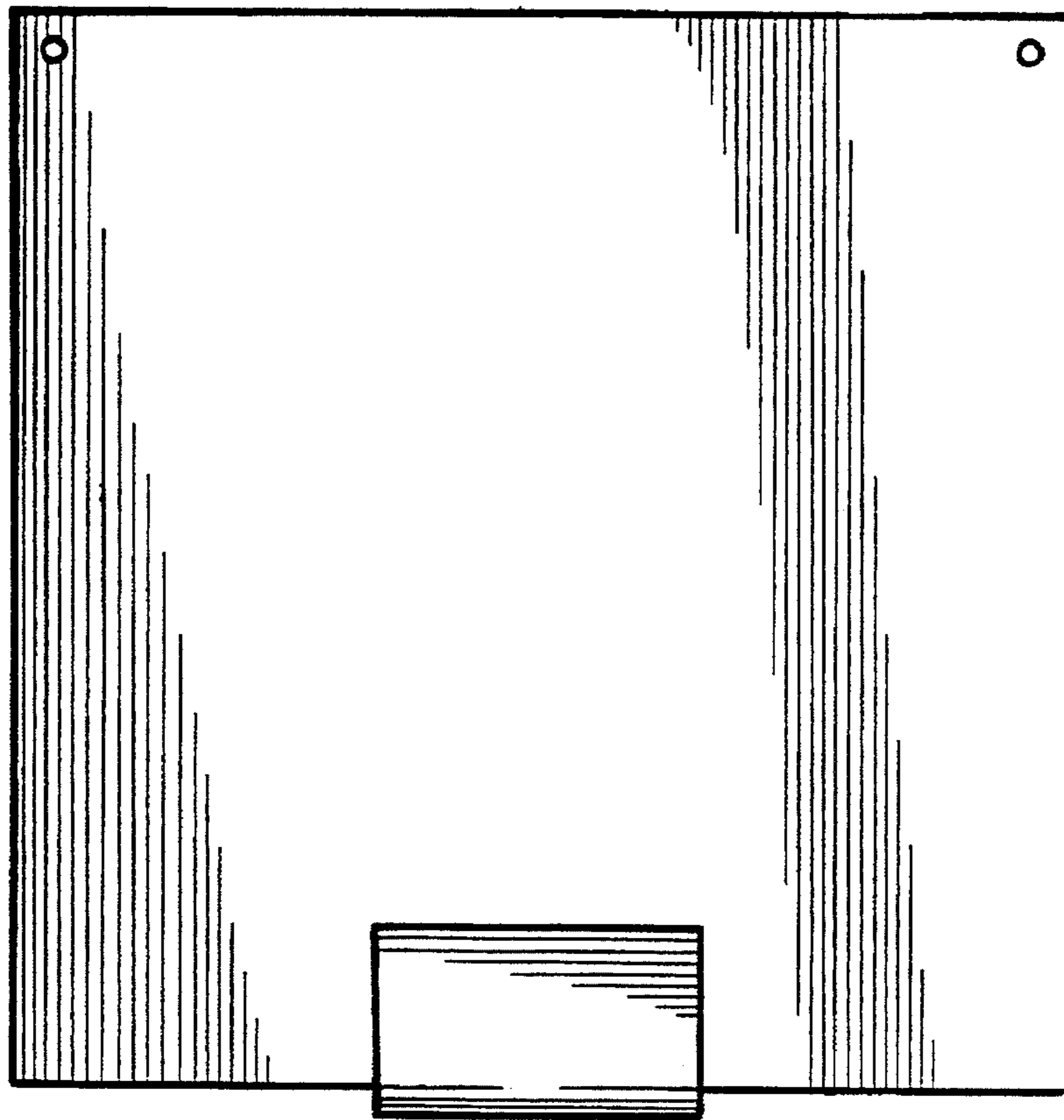


FIG. 3.