



US00D366169S

United States Patent [19]
Huang

[11] **Patent Number: Des. 366,169**

[45] **Date of Patent: **Jan. 16, 1996**

[54] **PEDESTAL BASE FOR A CHAIR**

4,911,391 3/1990 Ellis 248/188.7

[76] Inventor: **Ching-Feng Huang**, No. 42-4, Mintsu Rd., Hsinying City, Tainan Hsien, Taiwan

Primary Examiner—Martie Thompson
Attorney, Agent, or Firm—Morton J. Rosenberg; David I. Klein

[**] Term: **14 Years**

[57] **CLAIM**

[21] Appl. No.: **32,017**

The ornamental design for pedestal base for a chair, as shown and described.

[22] Filed: **Dec. 12, 1994**

DESCRIPTION

[52] U.S. Cl. **D6/498**

[58] Field of Search D6/499, 486, 495-498, D6/366, 375-380; 248/188.7

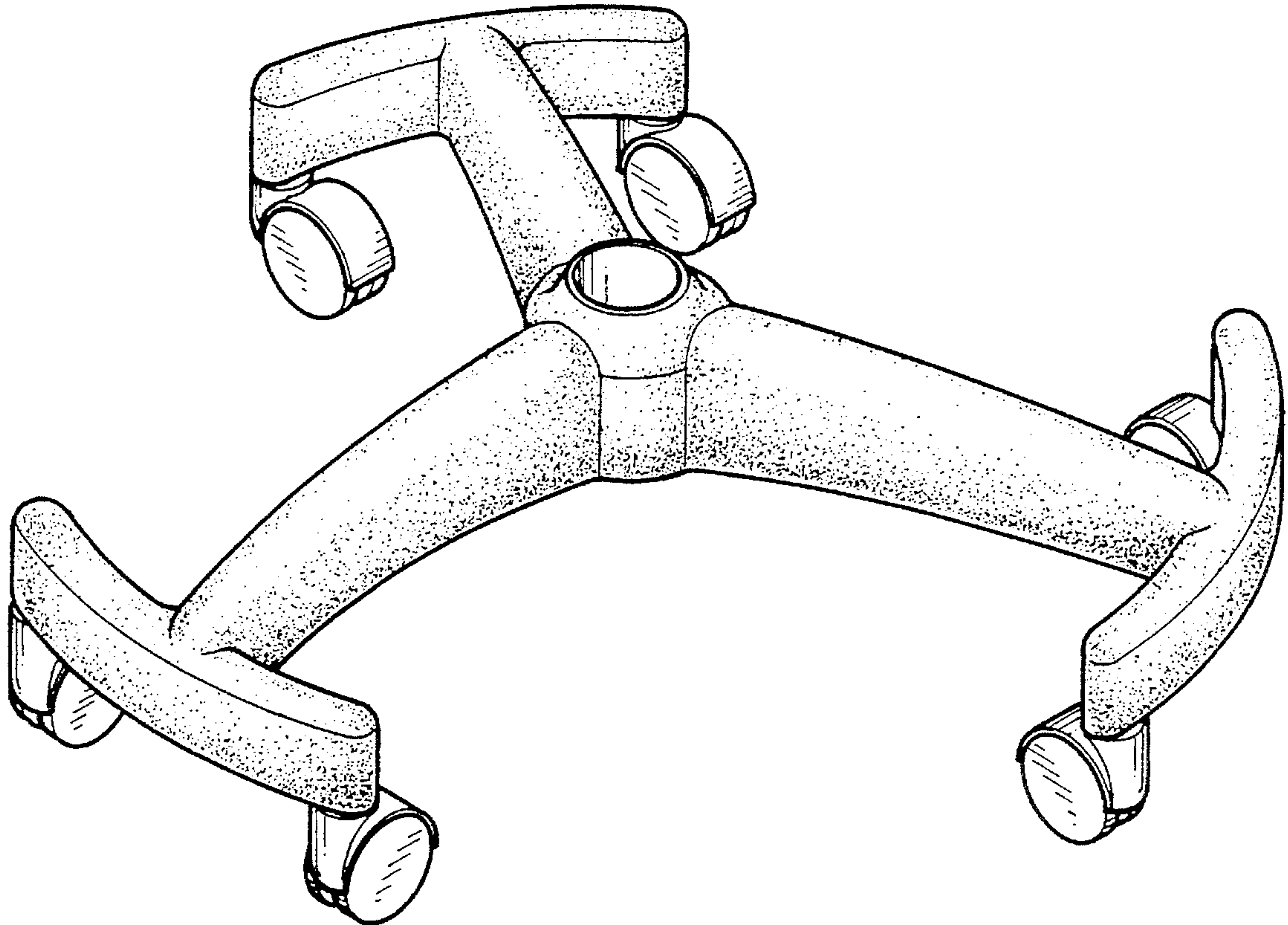
FIG. 1 is a front-right-top perspective view of pedestal base for a chair, showing my new design;
FIG. 2 is a front elevational view thereof;
FIG. 3 is a rear elevational view thereof;
FIG. 4 is a left side elevational view thereof;
FIG. 5 is a right side elevational view thereof;
FIG. 6 is a top plan view thereof; and,
FIG. 7 is a bottom plan view thereof.

[56] **References Cited**

U.S. PATENT DOCUMENTS

D. 98,526	2/1936	Koogler	D6/486 X
D. 168,524	12/1952	Thomas	D6/486 X
D. 273,925	5/1984	Caruso	D6/498
D. 324,616	3/1992	Grahl et al.	D6/498
1,482,743	2/1924	Grover	D6/498 X

1 Claim, 3 Drawing Sheets



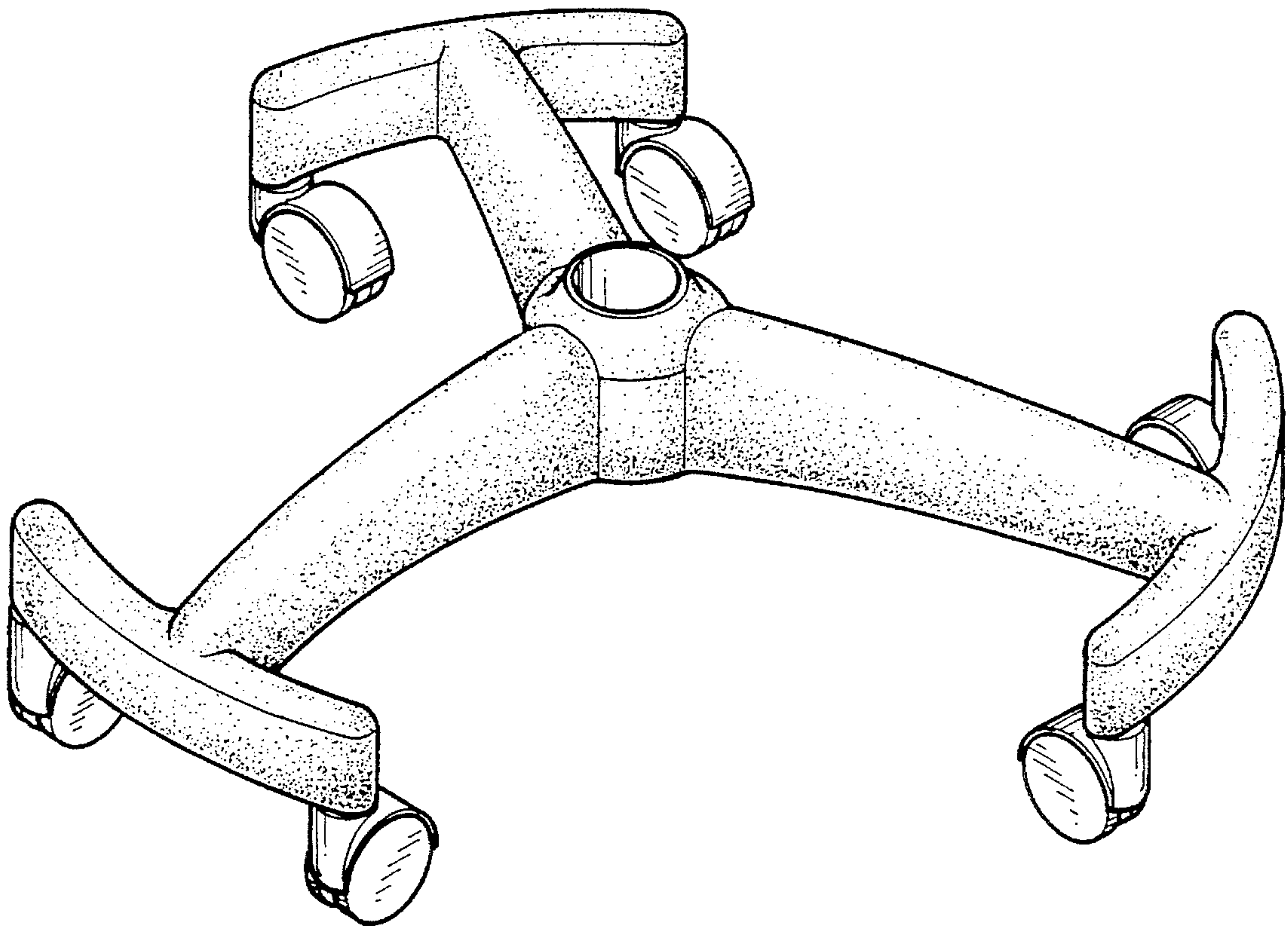


FIG. 1

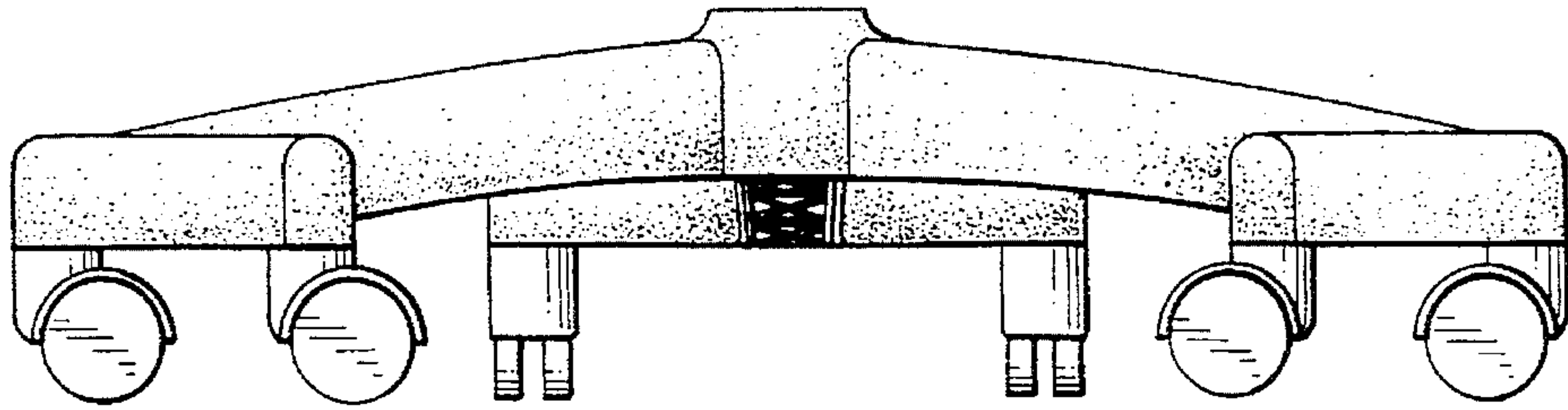


FIG. 3

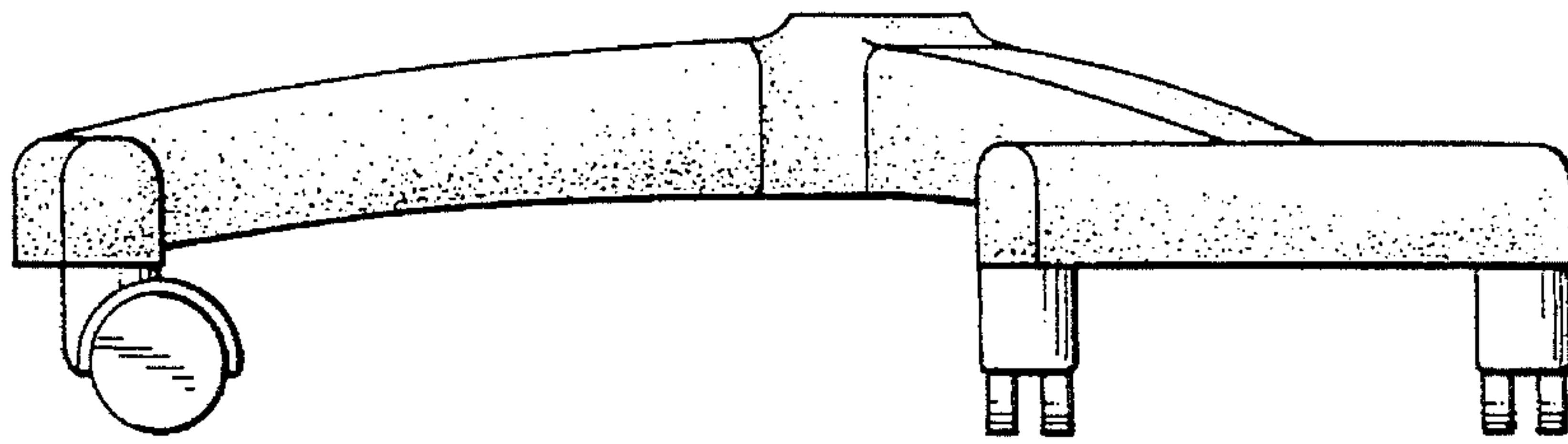


FIG. 5

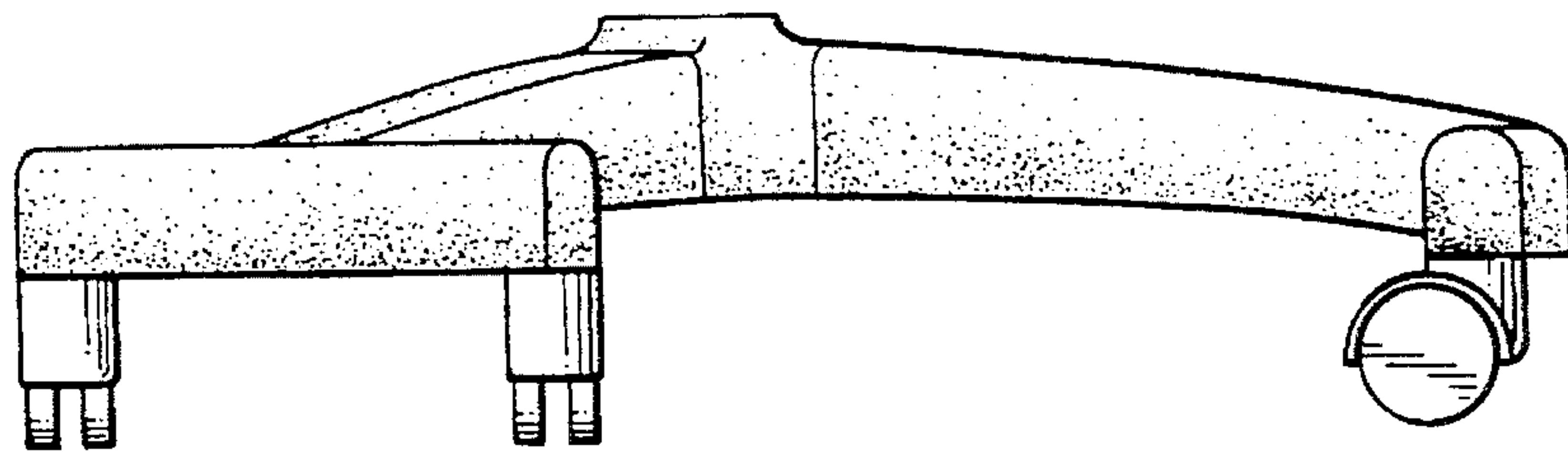


FIG. 4

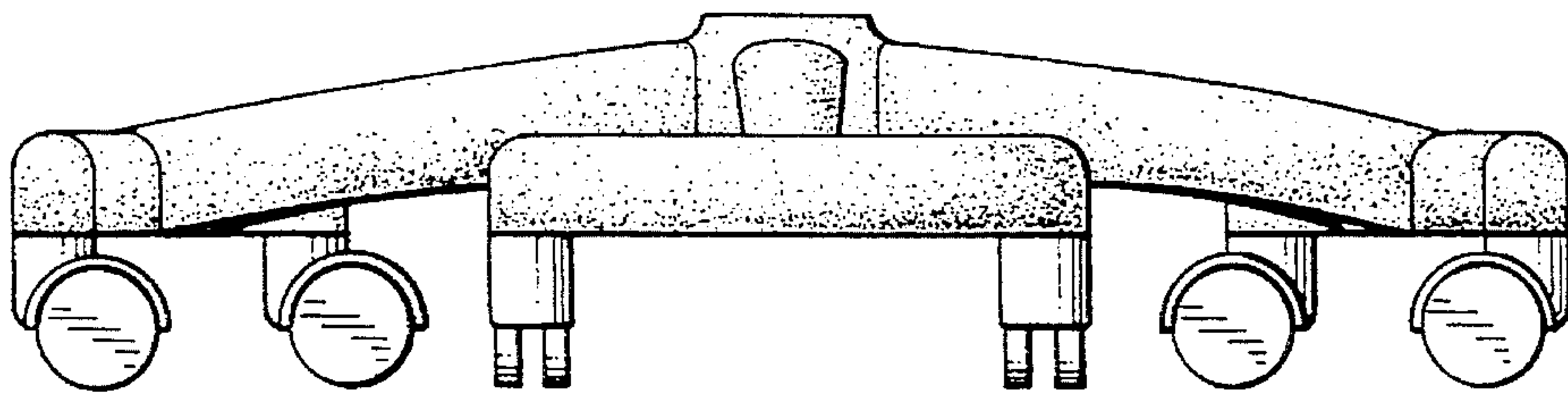


FIG. 2

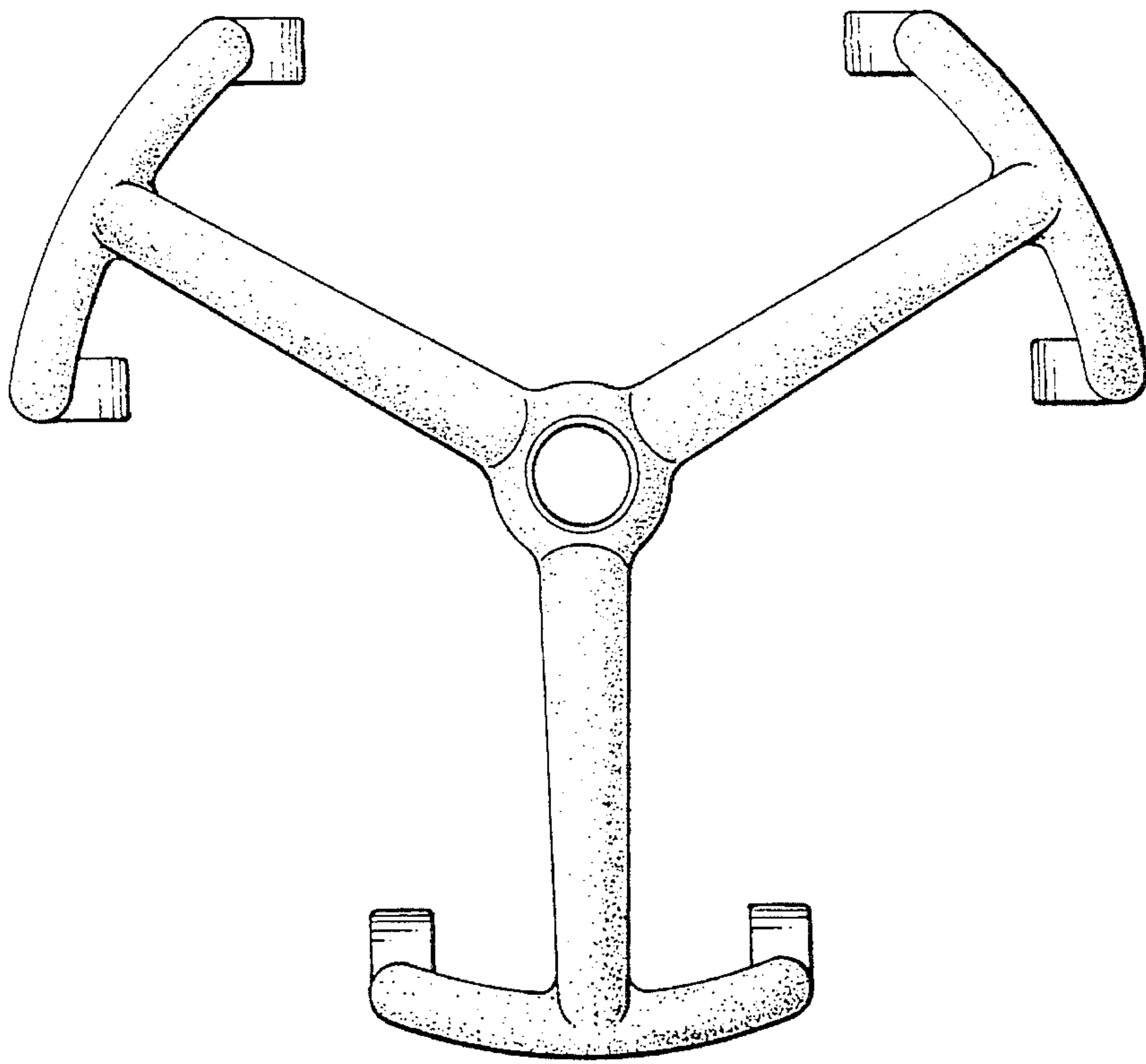


FIG. 6

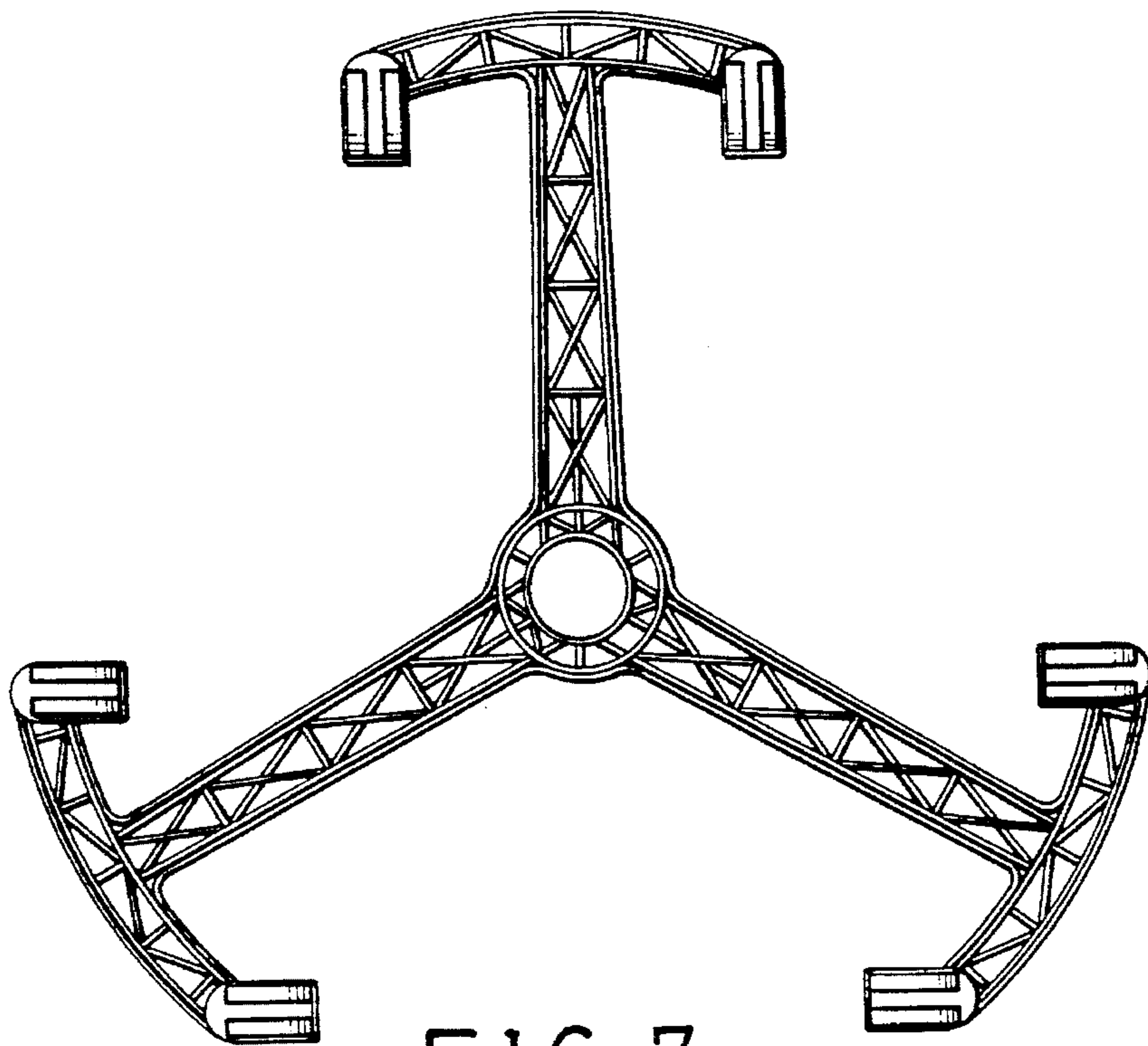


FIG. 7