



US00D366166S

United States Patent [19]

Walters, III et al.

[11] Patent Number: Des. 366,166

[45] Date of Patent: **Jan. 16, 1996

[54] SIDEBOARD

[75] Inventors: **Guy A. Walters, III**, High Point; **Avis E. Tobin, Jr.**, Thomasville, both of N.C.

[73] Assignee: **Thomasville Furniture Industries, Inc.**, Thomasville, N.C.

[**] Term: **14 Years**

[21] Appl. No.: **29,983**

[22] Filed: **Oct. 20, 1994**

[52] U.S. Cl. **D6/447**

[58] Field of Search **D6/432-448, 396, D6/397; 312/204, 257**

[56] References Cited

U.S. PATENT DOCUMENTS

D. 53,457	6/1919	Moskowitz	D6/447
D. 56,201	8/1920	Silver	D6/447 X
D. 79,095	7/1929	Moretto	D6/447
D. 82,421	11/1930	Gleichauf	D6/447
D. 82,623	11/1930	Pauli	D6/447
D. 244,074	4/1977	Zola .	
D. 250,234	11/1978	Ungaro	D6/436
D. 264,909	6/1982	Caldwell .	
D. 352,846	11/1994	Black	D6/446

OTHER PUBLICATIONS

Thomasville Santa Fe Catalog, pp. 6, 7, 8 and 12, Apr. 1984.
Thomasville American Oak, p. 14, Apr. 1991.
Thomasville Terrace Garden, p. 16, Oct. 1992.
B. Mayer, *In the Arts & Crafts Style*, 1993, pp. 16, 43, 105.
"House Beautiful" Oct. 1961, p. 145; Lane's Delineator Group item #59—Buffet center of page.
Woodward & Lothrop "Directions" Aug. 1991, p. 4; Chiff-erobe top left on page.

Primary Examiner—Carmen H. Vales-Lado
Attorney, Agent, or Firm—Rhodes, Coats & Bennett

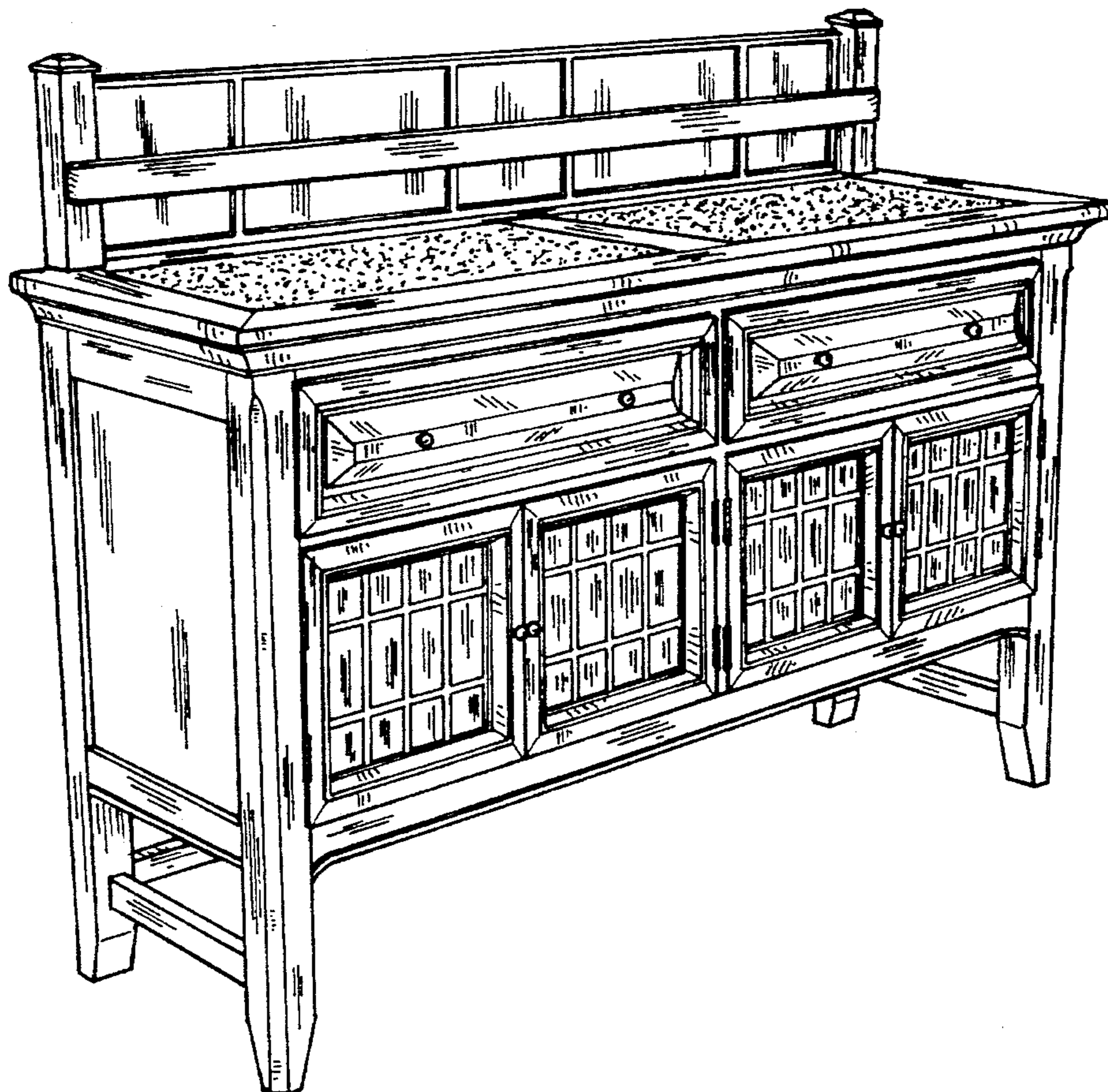
[57] CLAIM

The ornamental design for a sideboard, as shown and described.

DESCRIPTION

FIG. 1 is a front-side perspective view of a sideboard showing our new design;
FIG. 2 is a side elevational view thereof;
FIG. 3 is a front elevational view thereof;
FIG. 4 is an enlarged partial perspective view thereof; and,
FIG. 5 is a top view thereof.
The bottom and rear elevation views of the design are not shown and would not depict any aspects of the invention not already shown in the Figures.

1 Claim, 3 Drawing Sheets



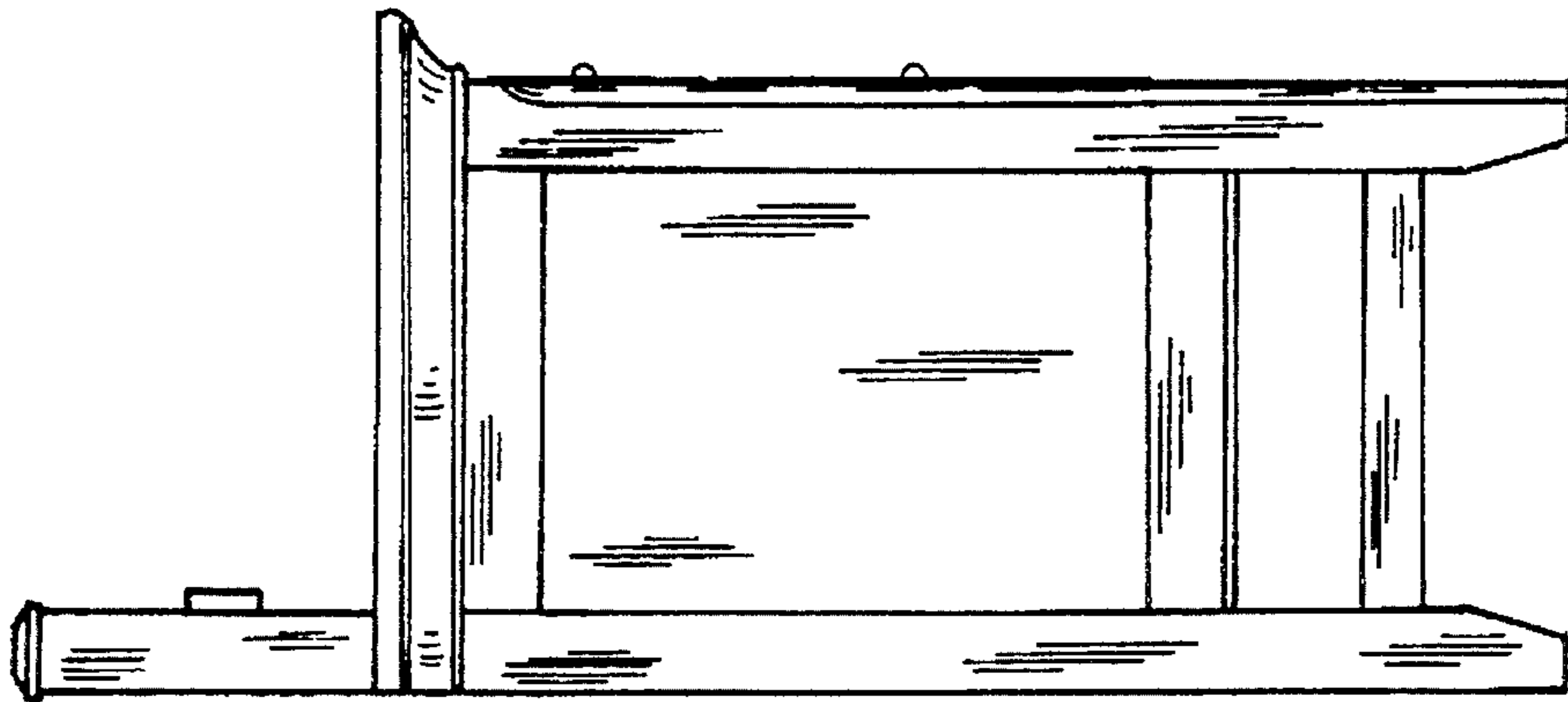


FIG. 2

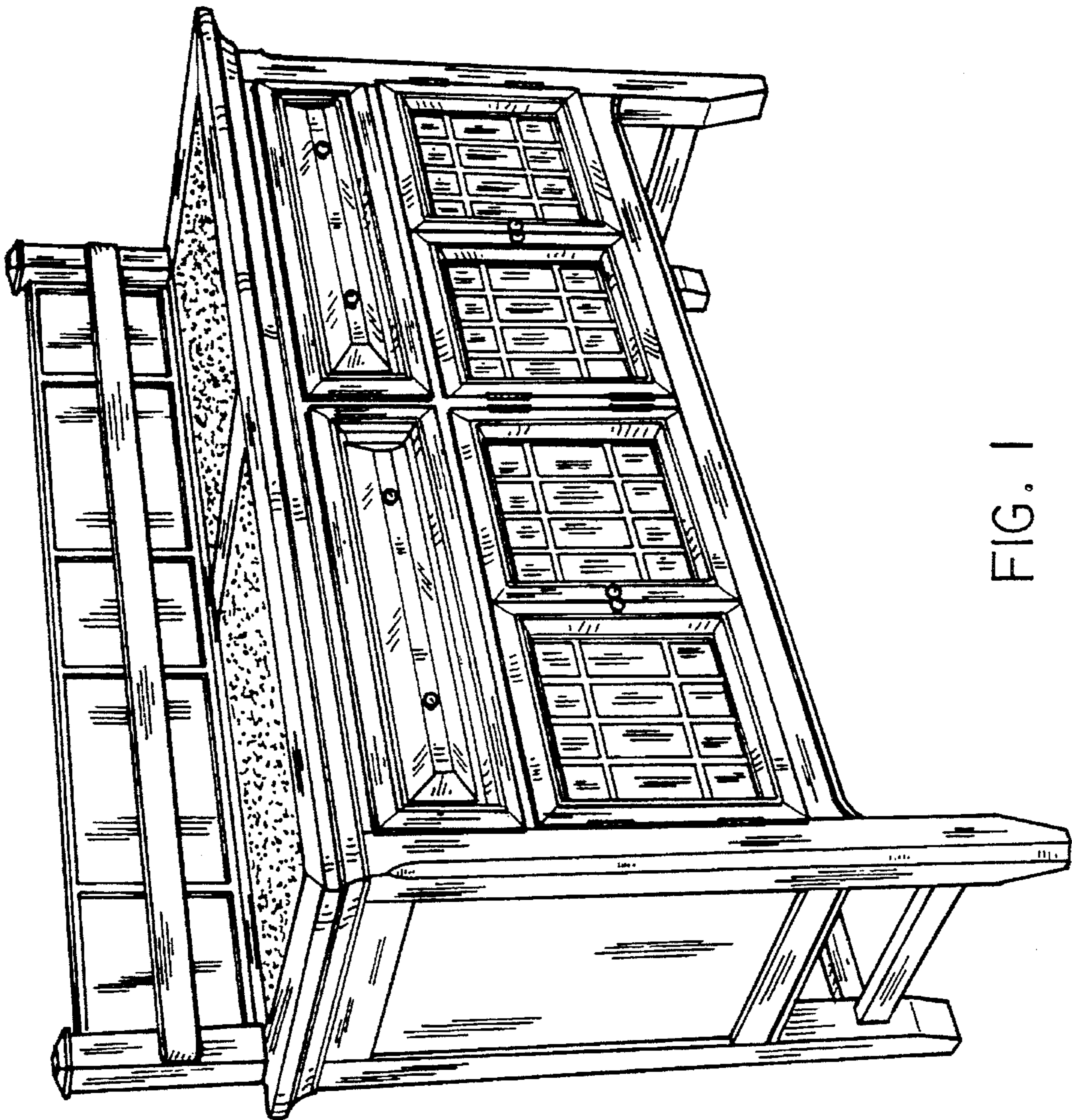


FIG. 1

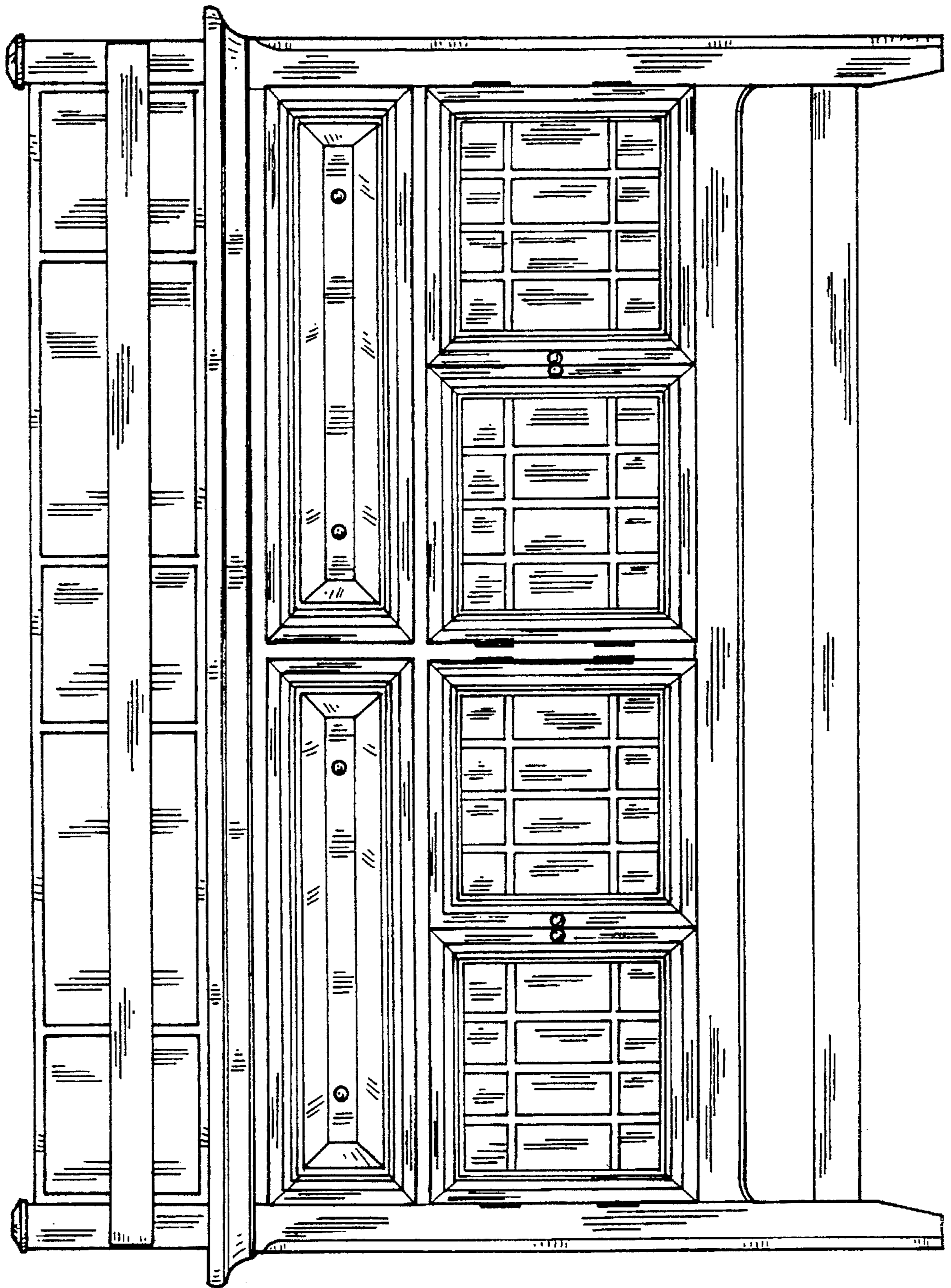


FIG. 3

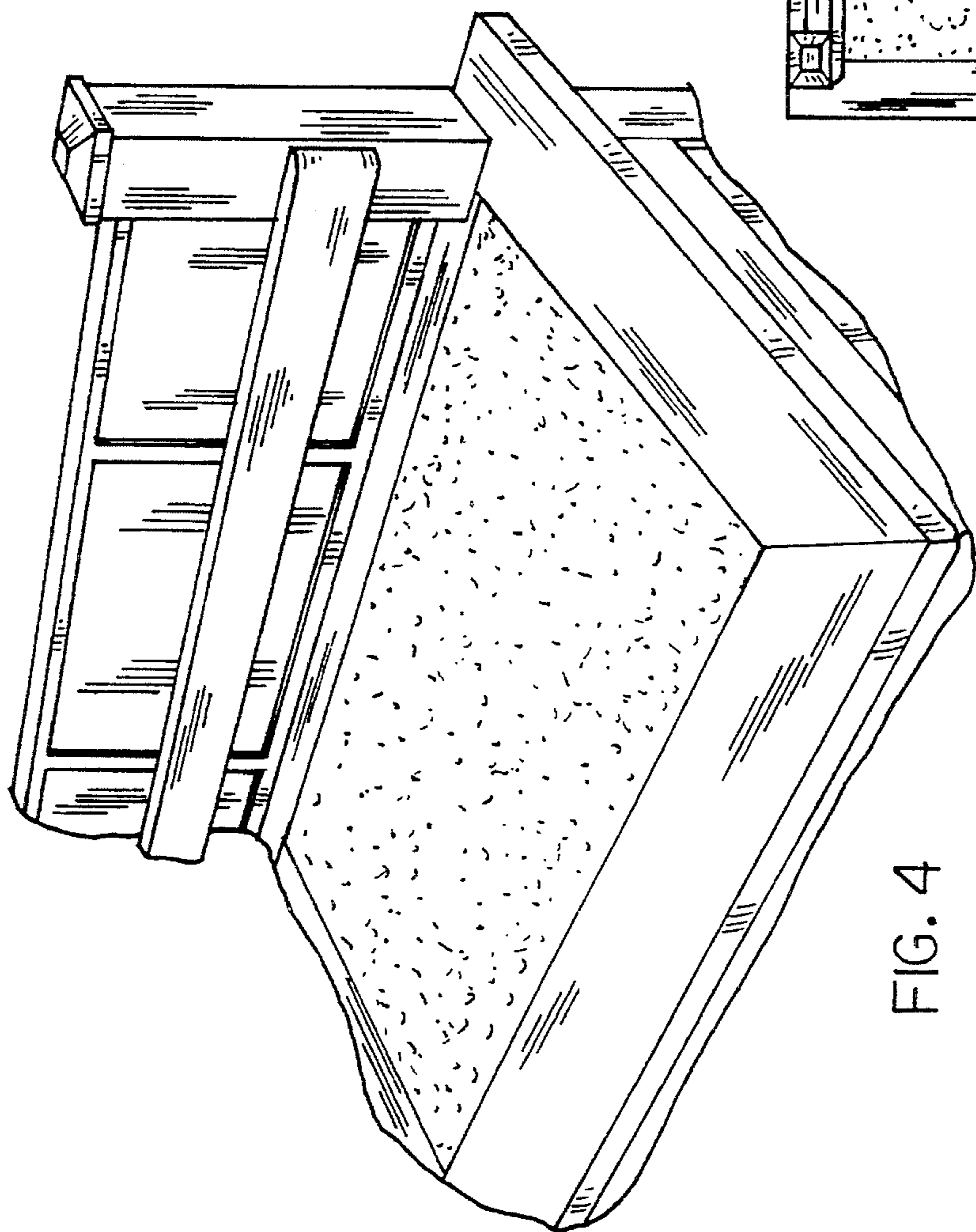


FIG. 4

FIG. 5

