



US00D366165S

# United States Patent [19]

[11] Patent Number: **Des. 366,165**

Holsinger et al.

[45] Date of Patent: **\*\*Jan. 16, 1996**

[54] **MULTIPLE STUDY MODULE**  
[75] Inventors: **Philip Holsinger**, Pittsburg; **John Bero**, Frontenac; **Ron Moran**, Pittsburg, all of Kans.

D. 305,706 1/1990 Mark ..... D6/421  
D. 331,672 12/1992 Brodbeck ..... D6/421  
D. 331,842 12/1992 Brodbeck ..... D6/421  
D. 332,188 1/1993 Brodbeck ..... D6/421  
D. 332,189 1/1993 Brodbeck ..... D6/421  
5,016,405 5/1991 Lee ..... 52/36

[73] Assignee: **Pitsco, Inc.**, Pittsburg, Kans.

*Primary Examiner*—Carmen H. Vales-Lado  
*Attorney, Agent, or Firm*—Hovey, Williams, Timmons & Collins

[\*\*] Term: **14 Years**

[21] Appl. No.: **36,514**

### [57] CLAIM

[22] Filed: **Mar. 20, 1995**

The ornamental design for a multiple study module, as shown and described.

[52] U.S. Cl. .... **D6/421; D6/423**

[58] Field of Search ..... D6/421-428; 312/194-196; 108/59-61, 64; 160/135, 351; 52/36, 239

### DESCRIPTION

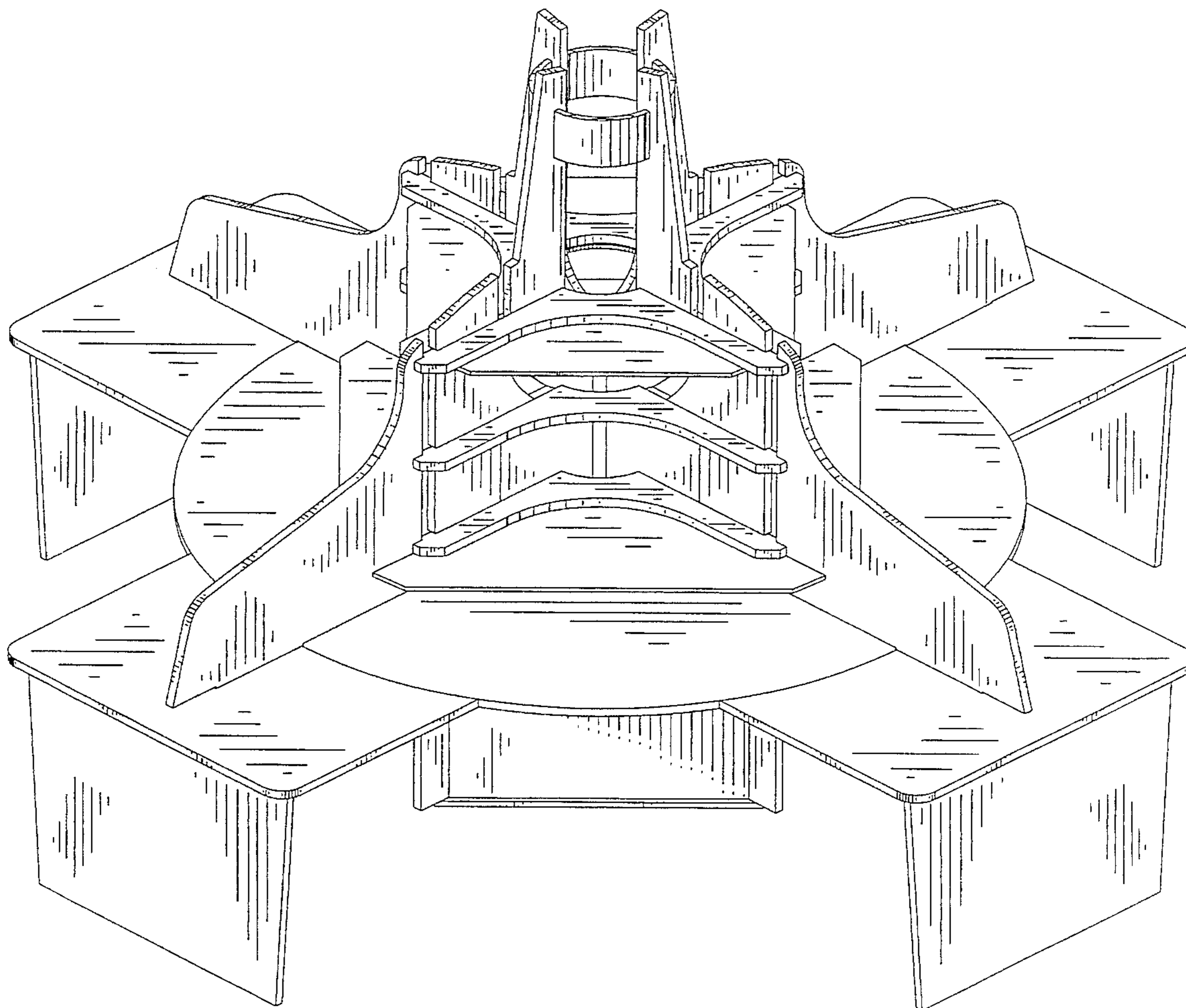
### [56] References Cited

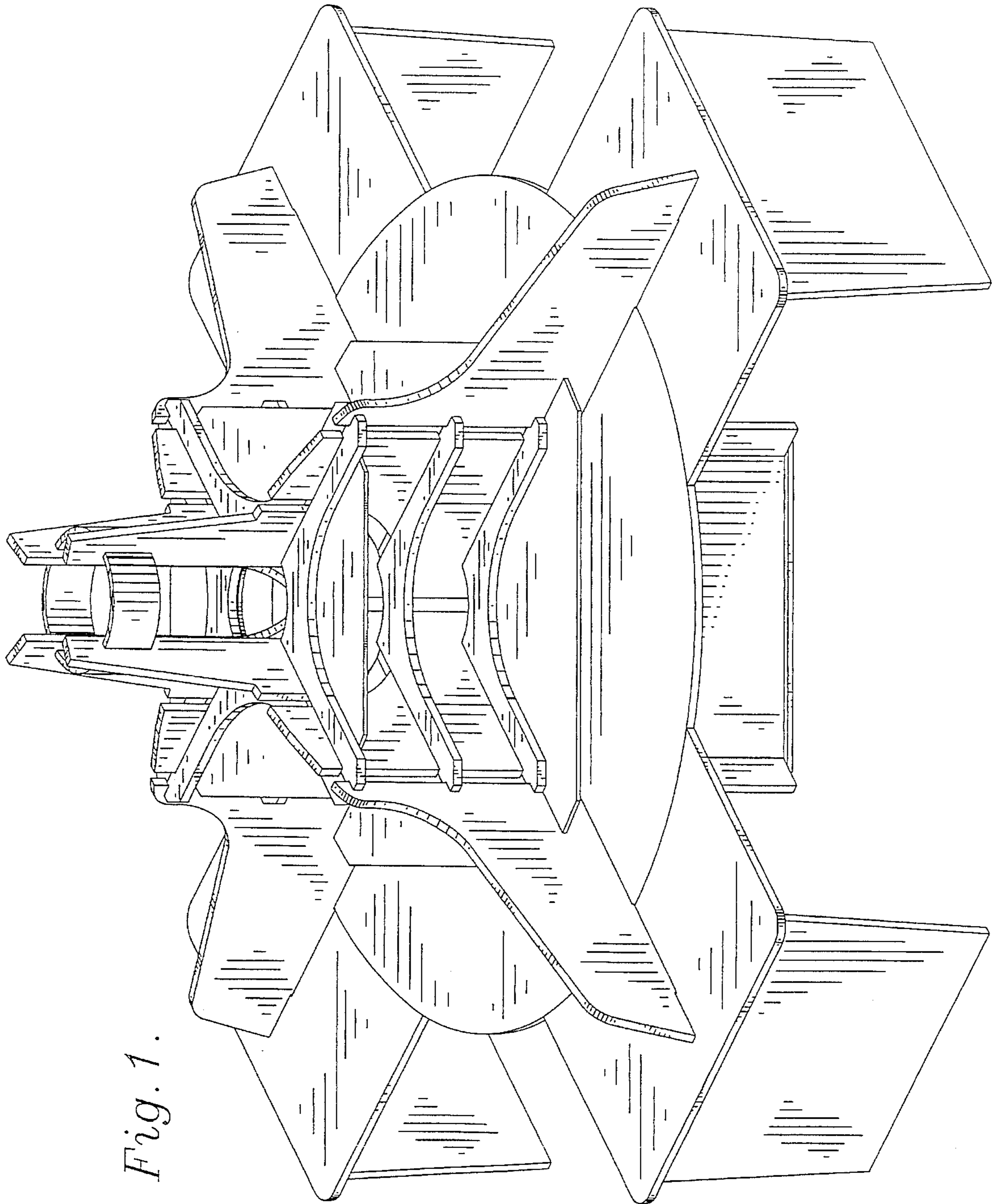
FIG. 1 is a perspective view of a multiple study module showing our new design;  
FIG. 2 is a front elevational view thereof; the other sides being identical thereto;  
FIG. 3 is a top plan view thereof; and,  
FIG. 4 is a bottom plan view thereof.

#### U.S. PATENT DOCUMENTS

D. 197,652 3/1964 Courtwright ..... D6/421  
D. 199,399 10/1964 Lewis ..... D6/421  
D. 218,176 7/1970 Des Marais et al. .... D6/421  
D. 243,051 1/1977 Goulooge ..... D6/423 X

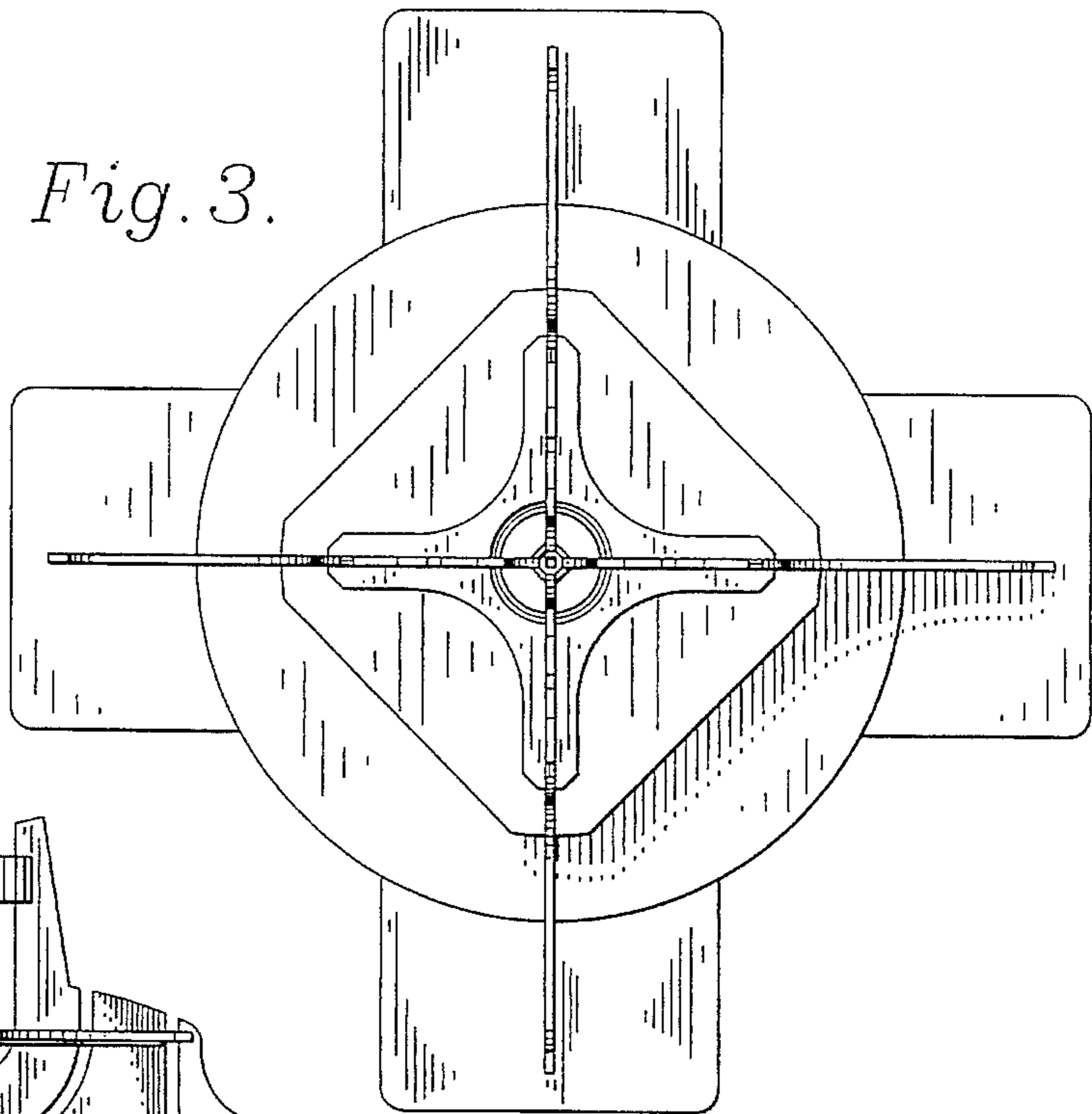
**1 Claim, 2 Drawing Sheets**



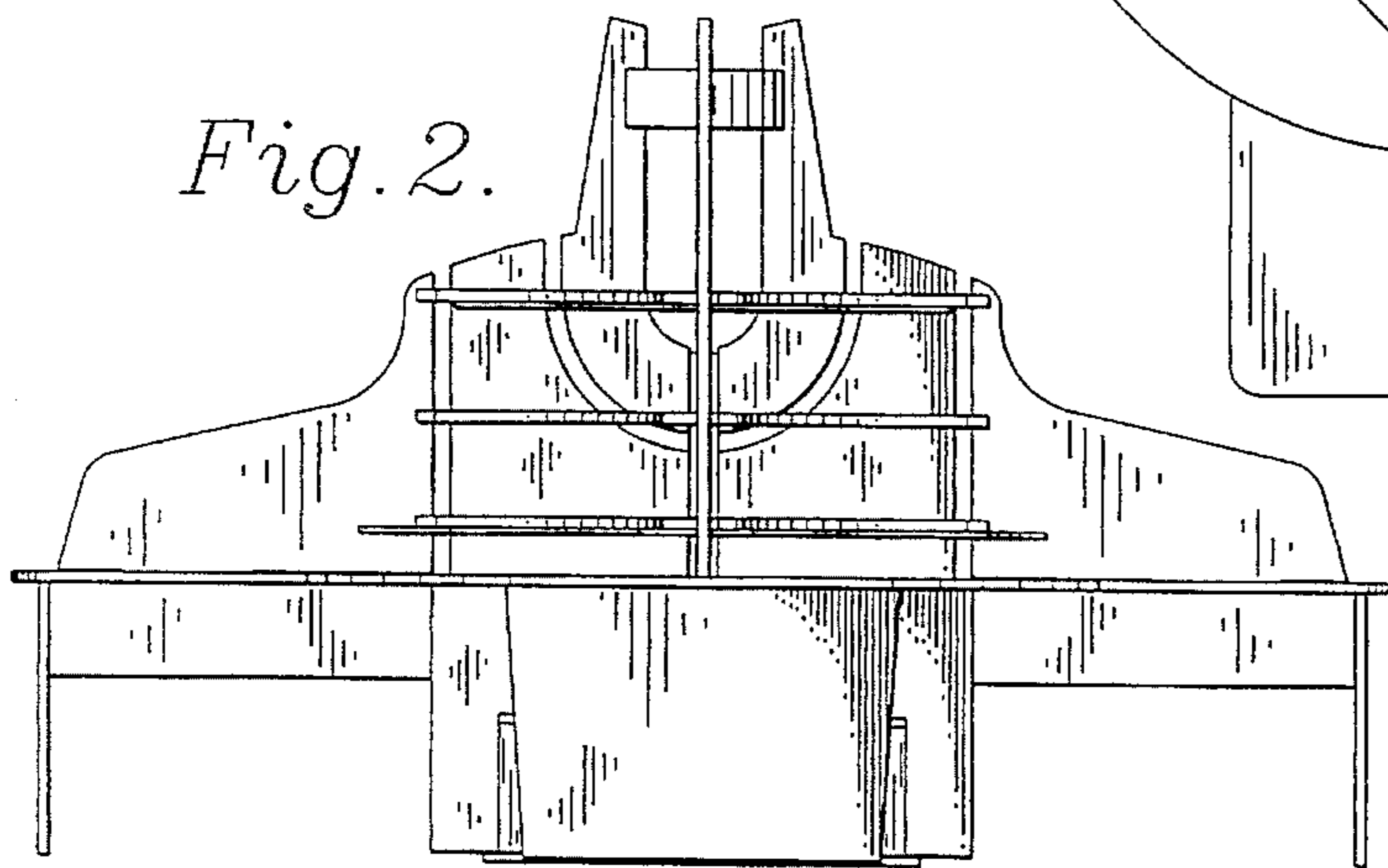


*Fig. 1.*

*Fig. 3.*



*Fig. 2.*



*Fig. 4.*

