



US00D366164S

United States Patent [19]

McKee

[11] Patent Number: Des. 366,164

[45] Date of Patent: **Jan. 16, 1996

[54] PORTABLE DESK FOR USE IN A VEHICLE

[76] Inventor: Carl B. McKee, 29971 Homedale, New Hudson, Mich. 48165

[**] Term: 14 Years

[21] Appl. No.: 27,510

[22] Filed: Aug. 23, 1994

[52] U.S. Cl. D6/406; D12/419

[58] Field of Search D6/406, 419, 420, D6/338, 511; D7/553, 554; D12/415, 416, 419, 424, 425, 426; 108/43, 44; 296/37.8, 37.15

[56] References Cited

U.S. PATENT DOCUMENTS

D. 205,400	8/1966	Bray	D12/421
D. 244,487	5/1977	Jensen	D12/419
D. 271,634	12/1983	Rockwell	D12/419
2,934,391	4/1960	Bohnett .	
3,804,233	4/1974	Gregg .	
3,909,092	9/1975	Kiernan .	
3,922,973	12/1975	Sturgeon .	
4,087,126	5/1978	Wynn	108/44
4,359,004	11/1982	Chappell .	
4,417,764	11/1983	Marcus et al. .	
4,453,759	6/1984	Kathiria .	
4,524,701	6/1985	Chappell .	
4,577,788	3/1986	Richardson .	
4,619,386	10/1986	Richardson .	
4,765,583	8/1988	Tenner .	

4,795,210	1/1989	Milat .	
4,809,897	3/1989	Wright, Jr. .	
4,878,438	11/1989	Carver .	
4,998,770	3/1991	Shimizu et al. .	
5,071,049	12/1991	Mozer .	
5,085,153	2/1992	McKee .	
5,085,481	2/1992	Fluharty et al.	296/37.8
5,205,452	4/1993	Mankey .	

FOREIGN PATENT DOCUMENTS

2549789	2/1985	France .	
419247	1/1992	Japan .	
1384440	2/1975	United Kingdom .	
9008671	8/1990	WIPO	296/37.15

Primary Examiner—Janice E. Seeger
Attorney, Agent, or Firm—Howard & Howard

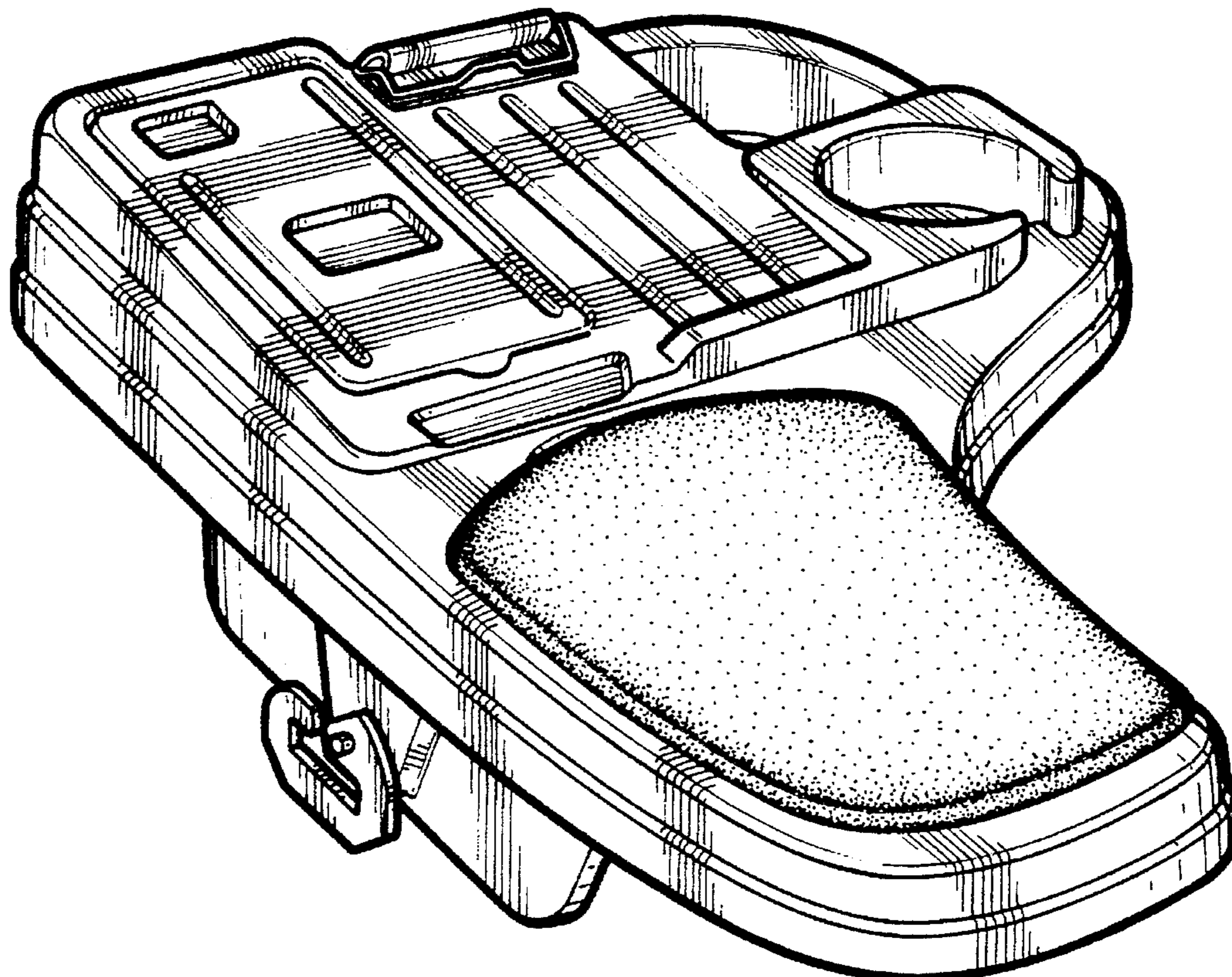
[57] CLAIM

The ornamental design for a portable desk for use in a vehicle, as shown.

DESCRIPTION

FIG. 1 is a perspective view of the portable desk for use in a vehicle of the present invention; FIG. 2 is a top plan view thereof; FIG. 3 is a right side elevational view thereof; FIG. 4 is a left side elevational view thereof; FIG. 5 is a bottom plan view thereof; FIG. 6 is a rear elevational view thereof; and, FIG. 7 is a front elevational view thereof.

1 Claim, 3 Drawing Sheets



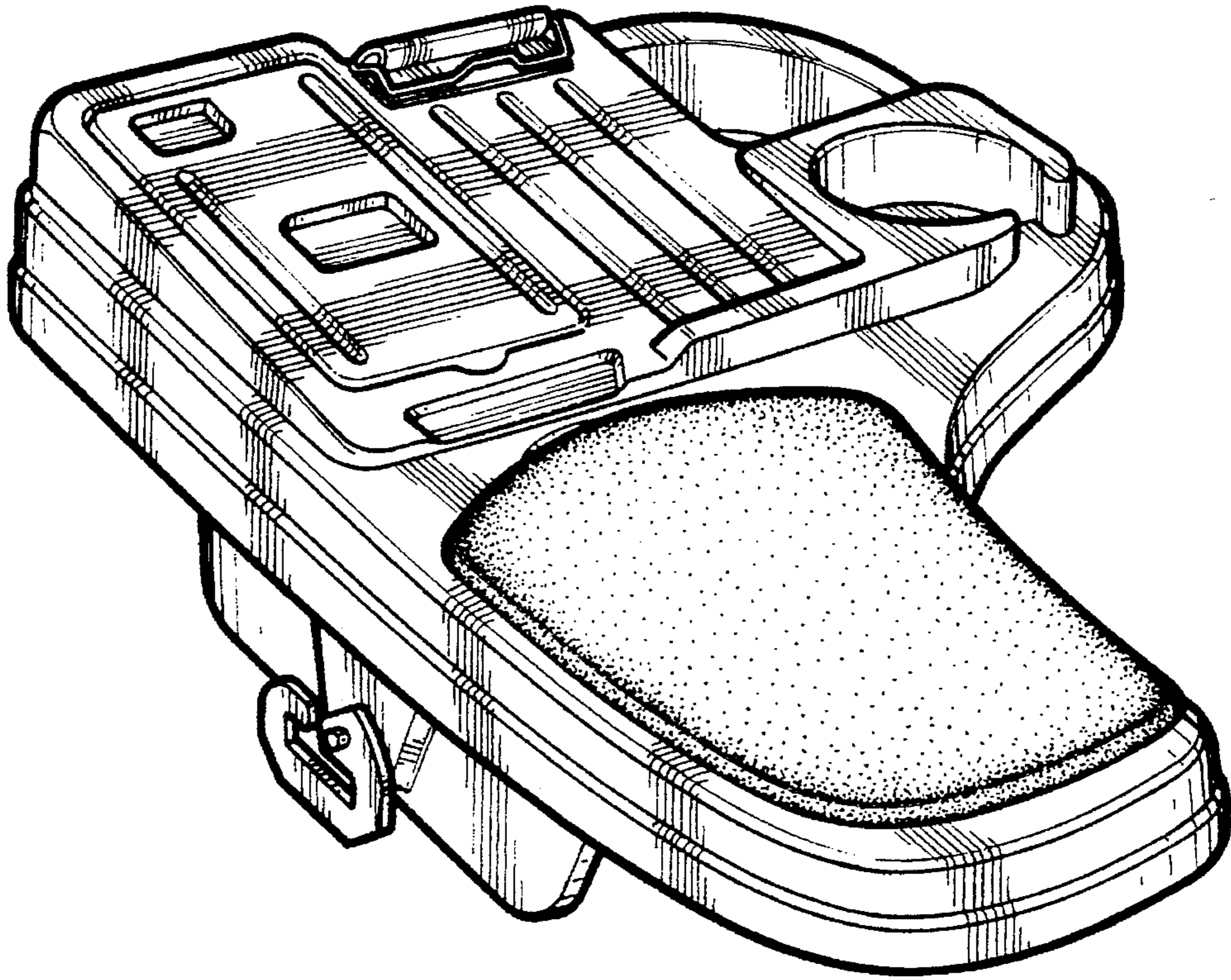


Fig-1

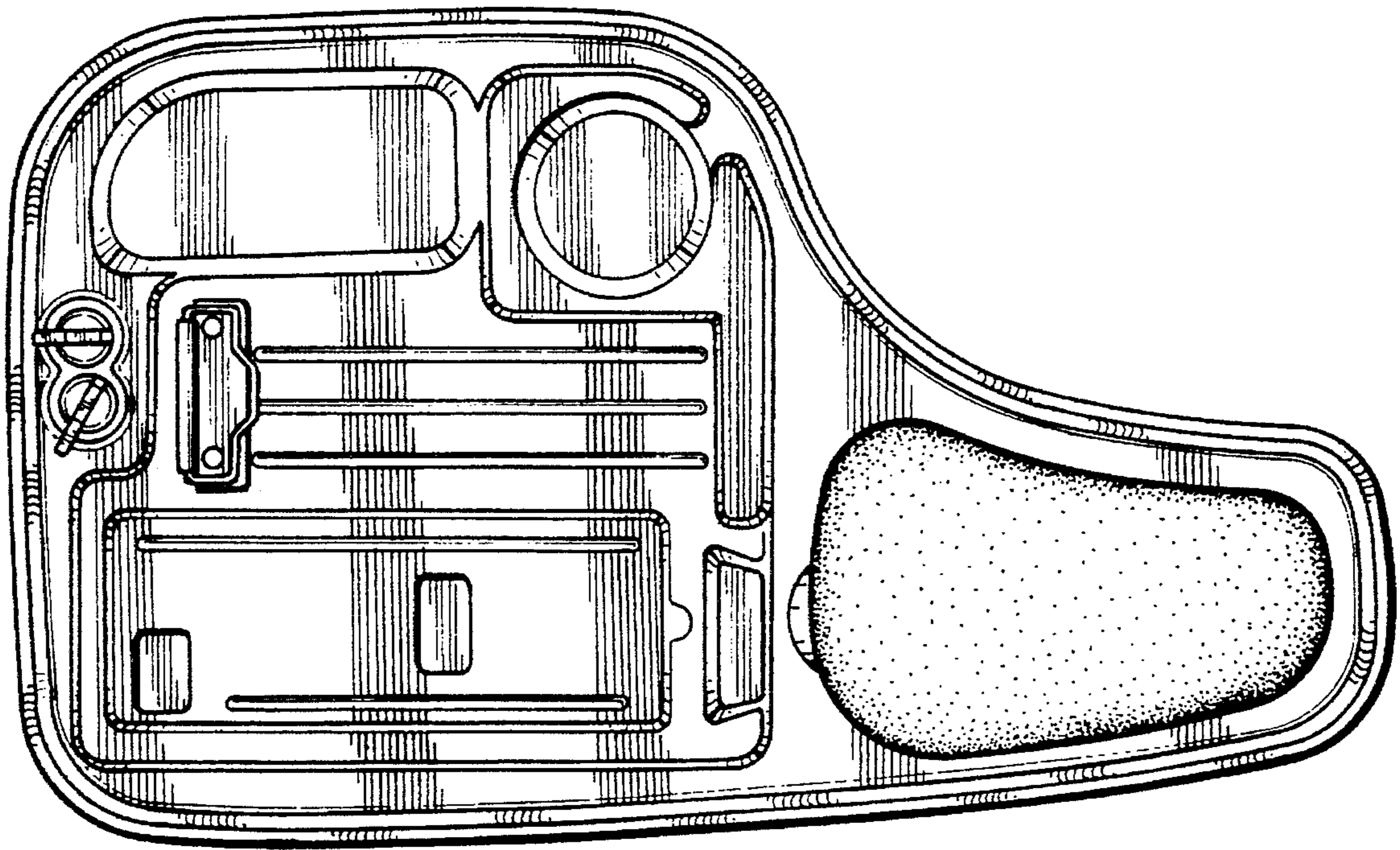


Fig-2

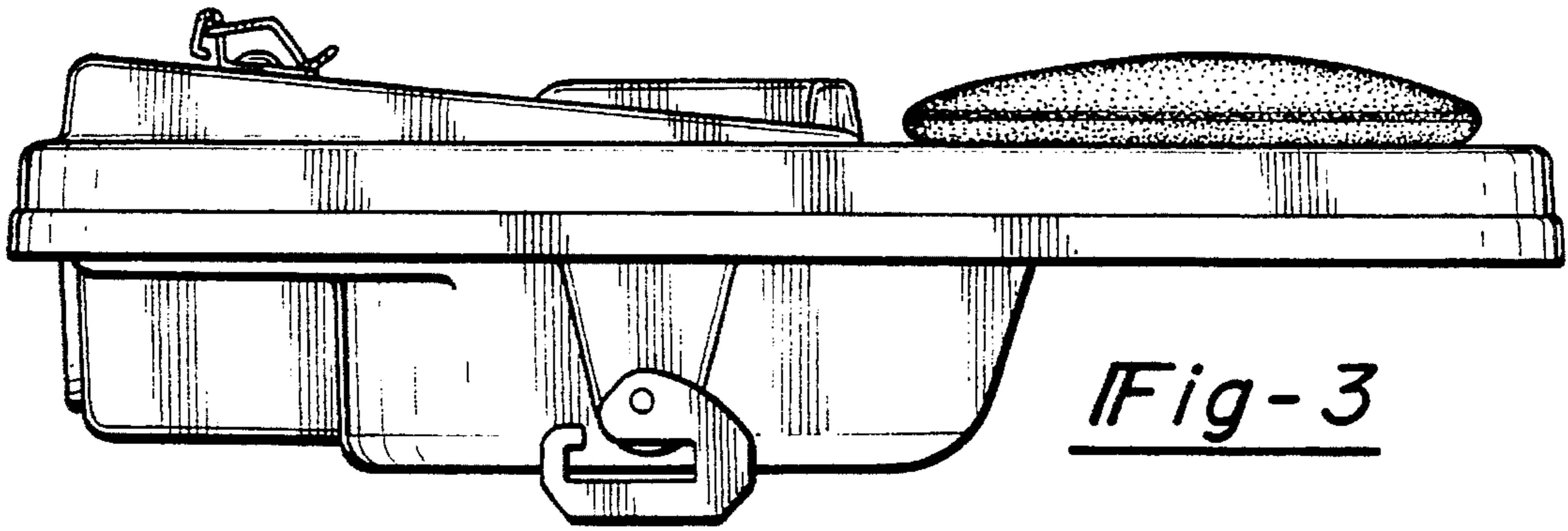


Fig-3

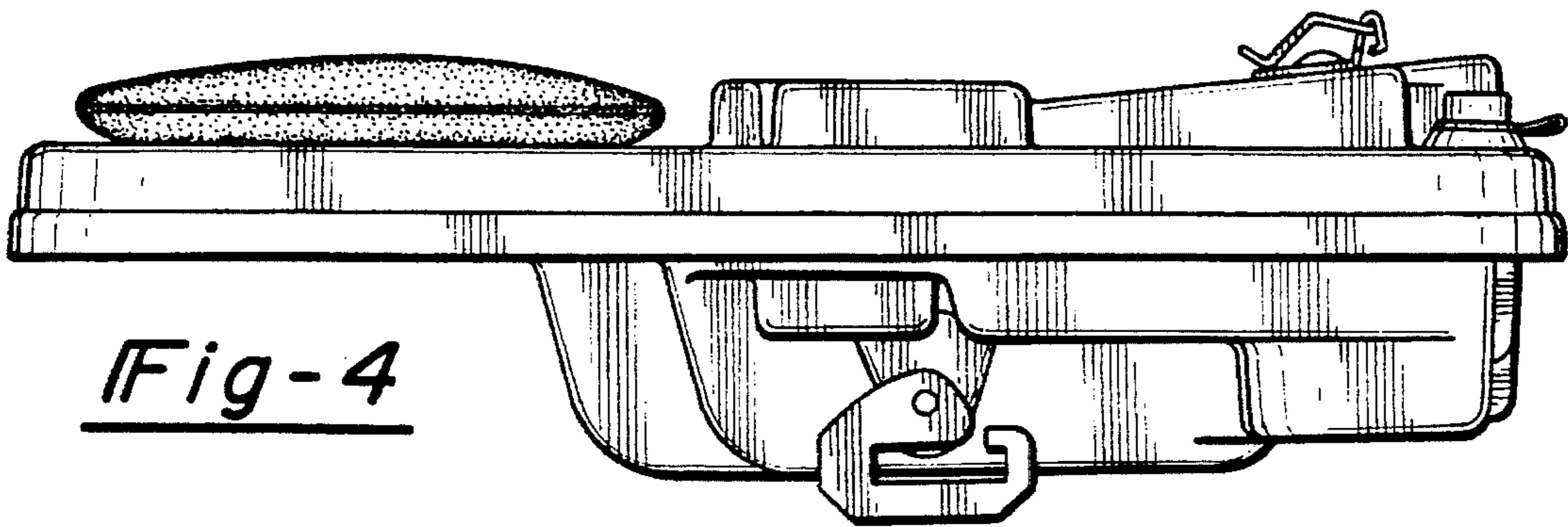


Fig-4

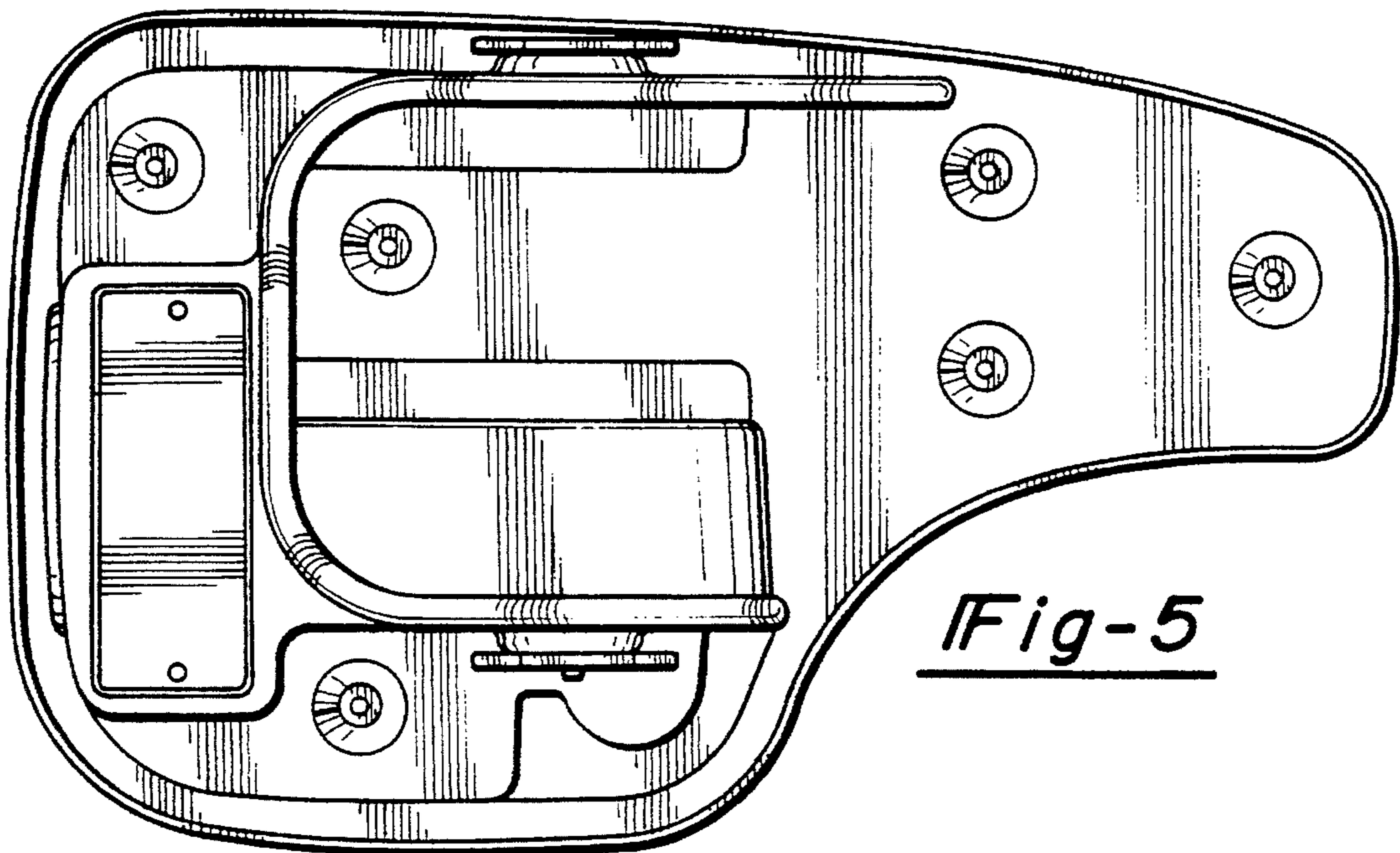


Fig-5

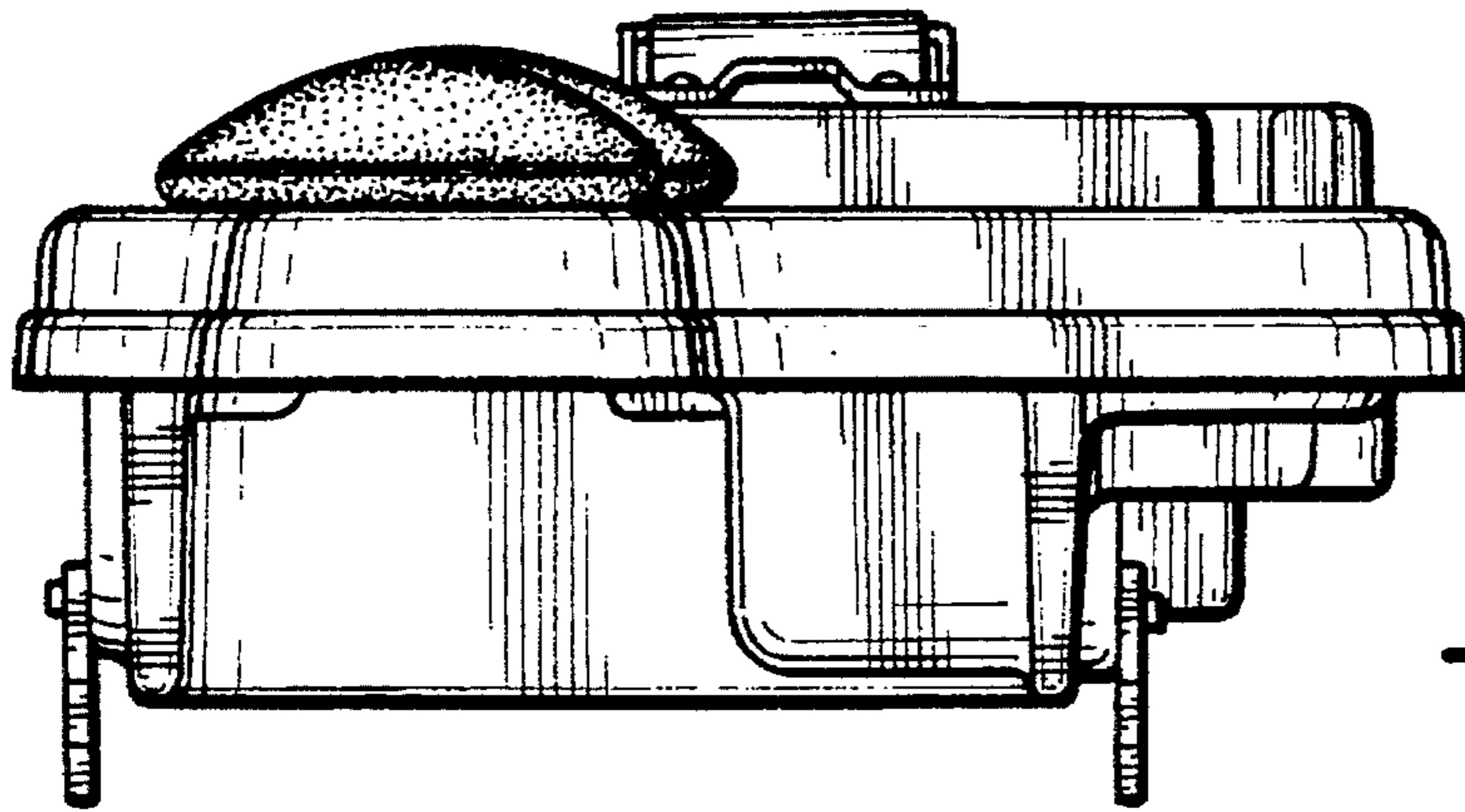


Fig-6

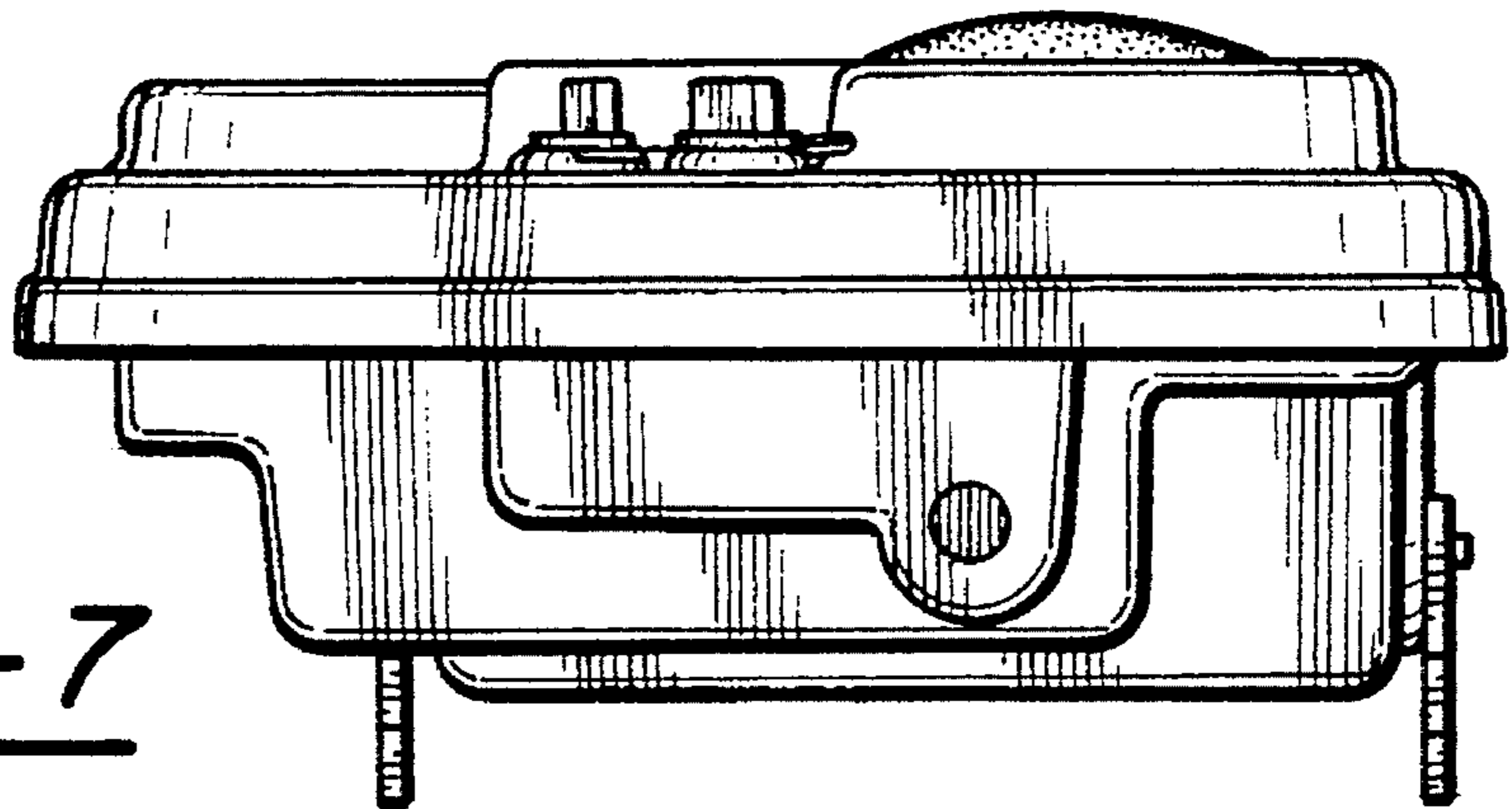


Fig-7