



US00D366162S

United States Patent [19]

[11] **Patent Number: Des. 366,162**

Paus

[45] **Date of Patent: **Jan. 16, 1996**

[54] **BED**

Sutherland

[75] Inventor: **Michael J. Paus**, High Point, N.C.

[57] **CLAIM**

[73] Assignee: **Universal Furniture Industries, Inc.**, High Point, N.C.

The ornamental design for a bed, as shown and described.

[**] Term: **14 Years**

DESCRIPTION

[21] Appl. No.: **20,441**

FIG. 1 is a perspective view of a bed showing my new design;

[22] Filed: **Mar. 25, 1994**

FIG. 2 is a front plan view thereof;

[52] U.S. Cl. **D6/393**

FIG. 3 is a right side view thereof, the opposite side being a mirror image of the side shown;

[58] Field of Search D6/382-395, 505-508; 5/53.1, 279.1, 280, 281

FIG. 4 is a top plan view thereof;

[56] **References Cited**

U.S. PATENT DOCUMENTS

D. 340,147 10/1993 Black D6/393
D. 353,950 1/1995 Ferguson D6/393

FIG. 5 is a cross-sectional view taken along lines 5-5 of FIG. 1; and,

OTHER PUBLICATIONS

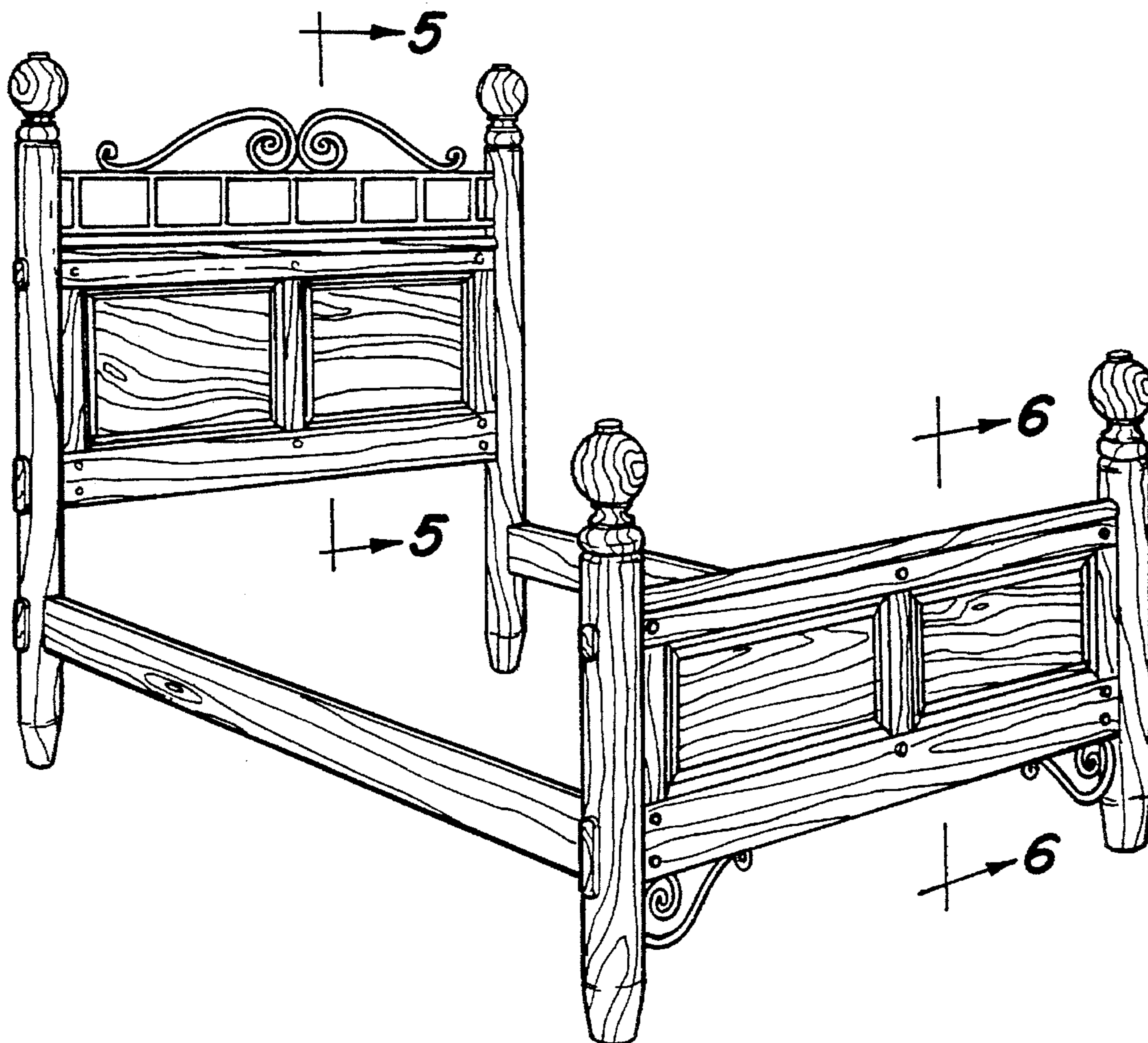
Woodward & Lathrop-Directions-Spring 1993, Back cover.

FIG. 6 is a cross-sectional view taken along lines 6-6 of FIG. 1.

Primary Examiner—Janice E. Seeger

1 Claim, 3 Drawing Sheets

Attorney, Agent, or Firm—Edgar A. Zarins; Malcolm L.



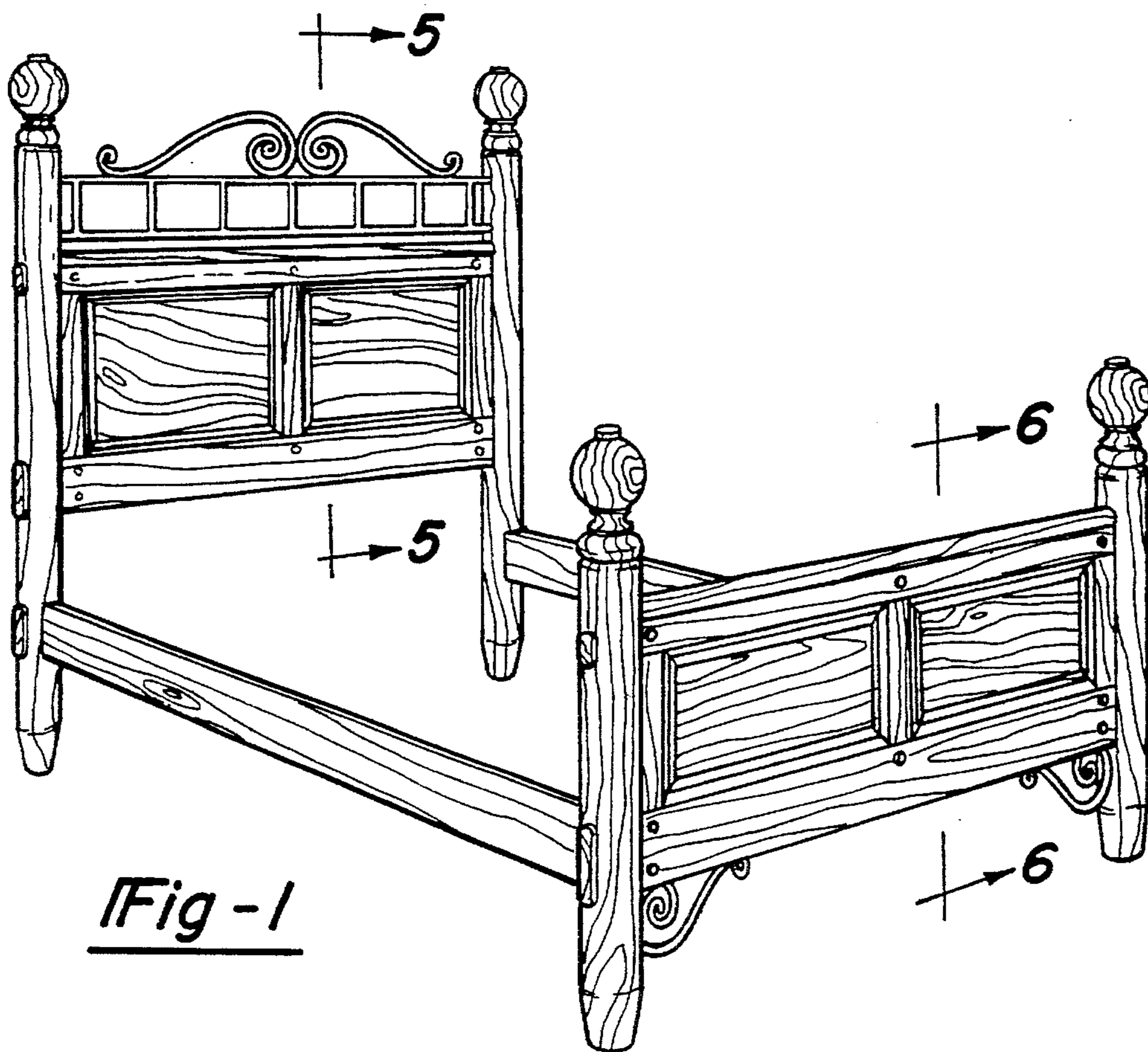


Fig - 1

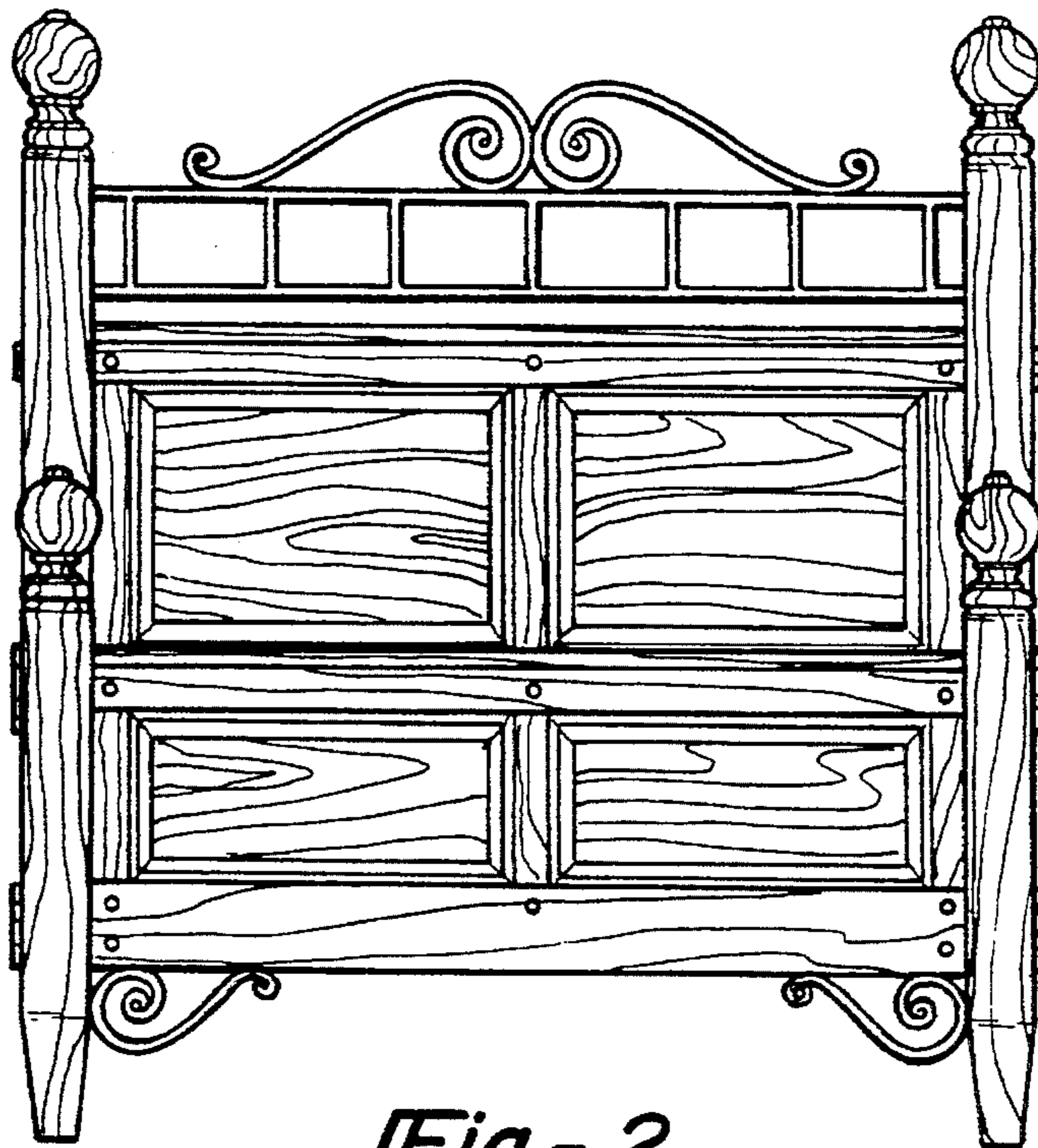


Fig - 2

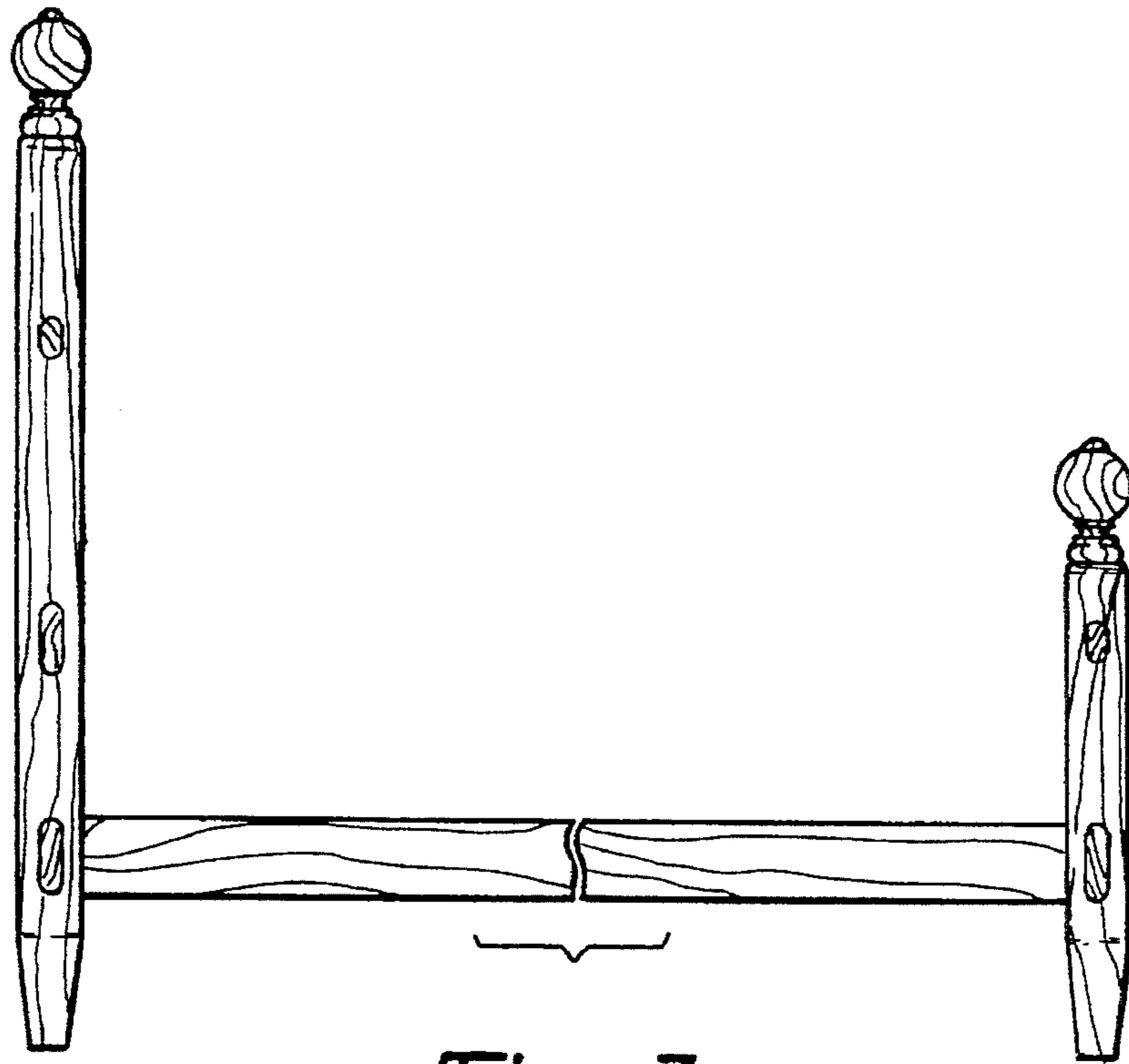


Fig - 3

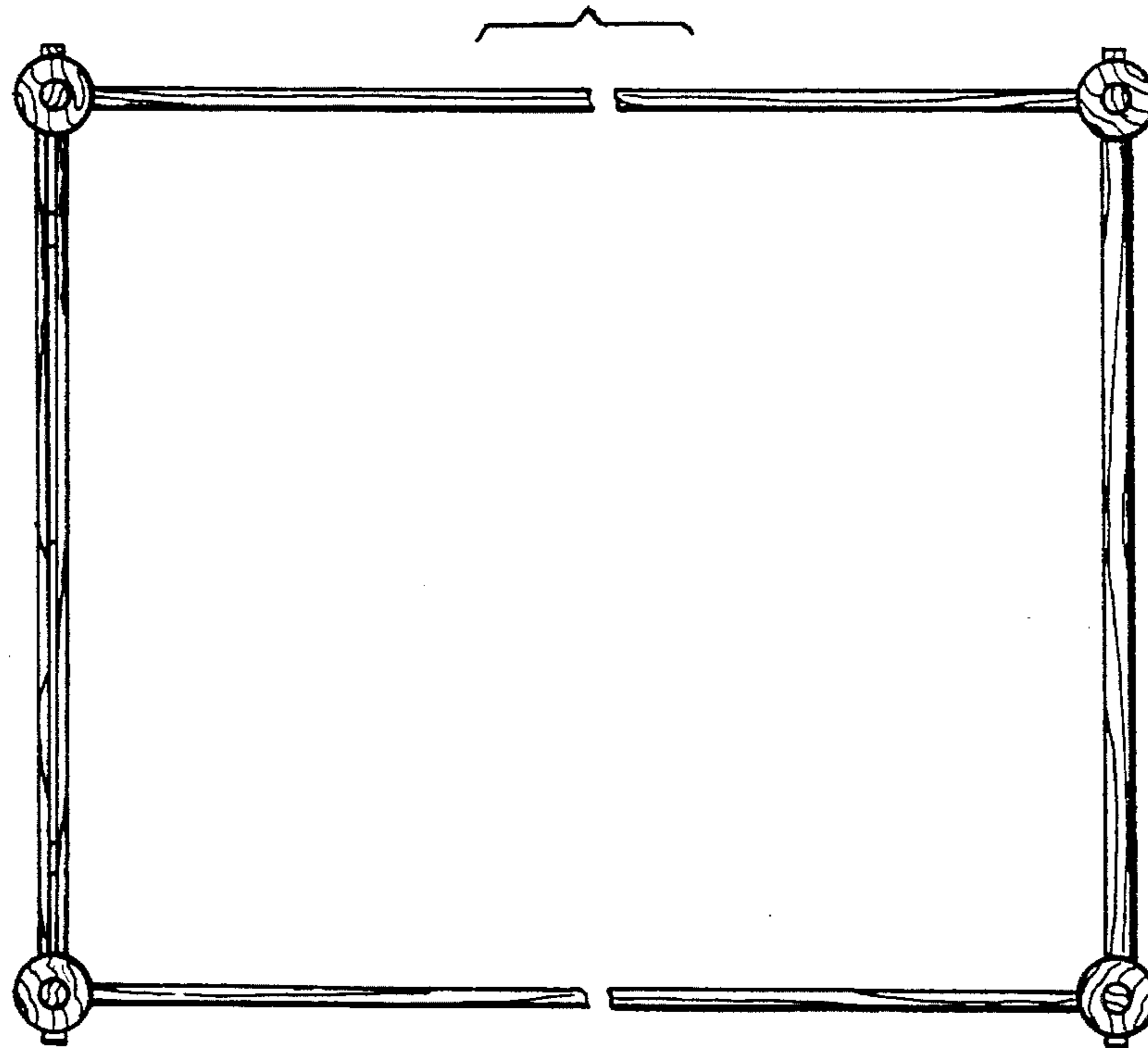


Fig - 4



Fig - 5



Fig - 6