



US00D366156S

United States Patent [19]

[11] **Patent Number: Des. 366,156**

Babcock et al.

[45] **Date of Patent: **Jan. 16, 1996**

[54] **LAWN SWING**

cants per supplemental disclosure statement, undated.

[76] Inventors: **Martin Babcock**, 2214 Tower Ct., Woodbury, Minn. 55125; **George Knutsen**, 10051 Kerry Ct., Hugo, Minn. 55038

Primary Examiner—Janice E. Seeger
Assistant Examiner—Gary D. Watson
Attorney, Agent, or Firm—D. L. Tschida

[**] Term: **14 Years**

[57] **CLAIM**

[21] Appl. No.: **33,716**

The ornamental design for a lawn swing, as shown and described.

[22] Filed: **Jan. 18, 1995**

[52] U.S. Cl. **D6/346**

DESCRIPTION

[58] **Field of Search** D6/334, 335, 336, D6/344, 346, 347, 370, 379, 381, 500, 501, 502; 297/245

FIG. 1 is a perspective drawing of our lawn swing and wherein a mosquito netting drape is shown attached to the swing in a partially opened condition;

[56] **References Cited**

U.S. PATENT DOCUMENTS

D. 83,587	3/1931	Weaver	D6/346
D. 95,941	6/1935	Weaver	D6/346
D. 141,676	6/1945	Cosme	D6/346
D. 276,927	12/1984	Bolin	D6/346 X
623,254	4/1899	McGlamery	297/245 X
709,110	9/1902	Olson	297/245

FIG. 2 is a perspective drawing showing a front elevation and partial top view of our lawn swing, the rear elevation view being a mirror image;

OTHER PUBLICATIONS

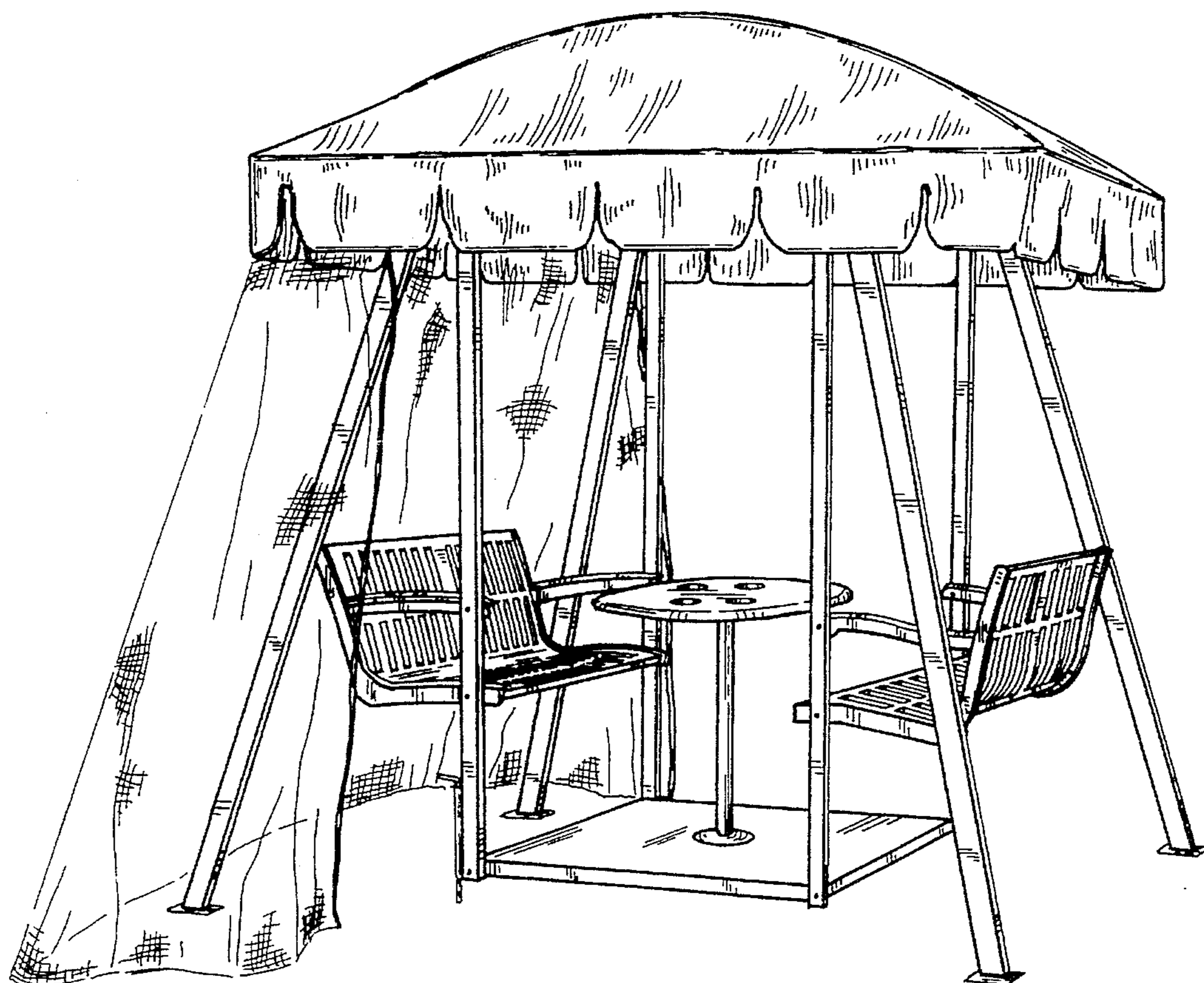
FIG. 3 is a perspective drawing showing a right side and partial top view thereof, the left side view being a mirror image;

Whisper Glide brochure, submitted by applicants per supplemental disclosure statement, undated.
6 photographs of Whisper Glide Swing, submitted by appli-

FIG. 4 is a top plan view thereof; and,

FIG. 5 is a bottom plan view thereof.

1 Claim, 5 Drawing Sheets



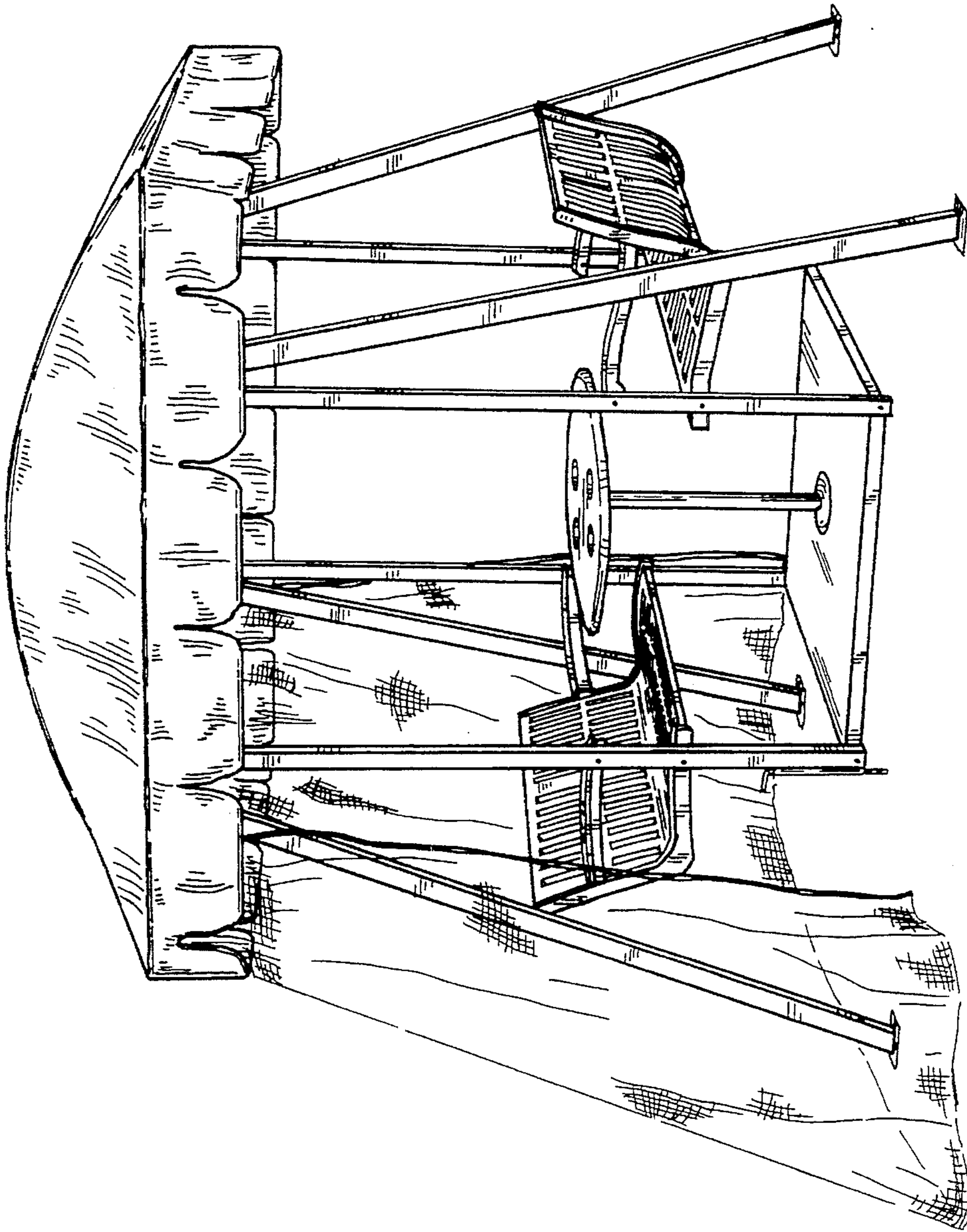


FIG. 1

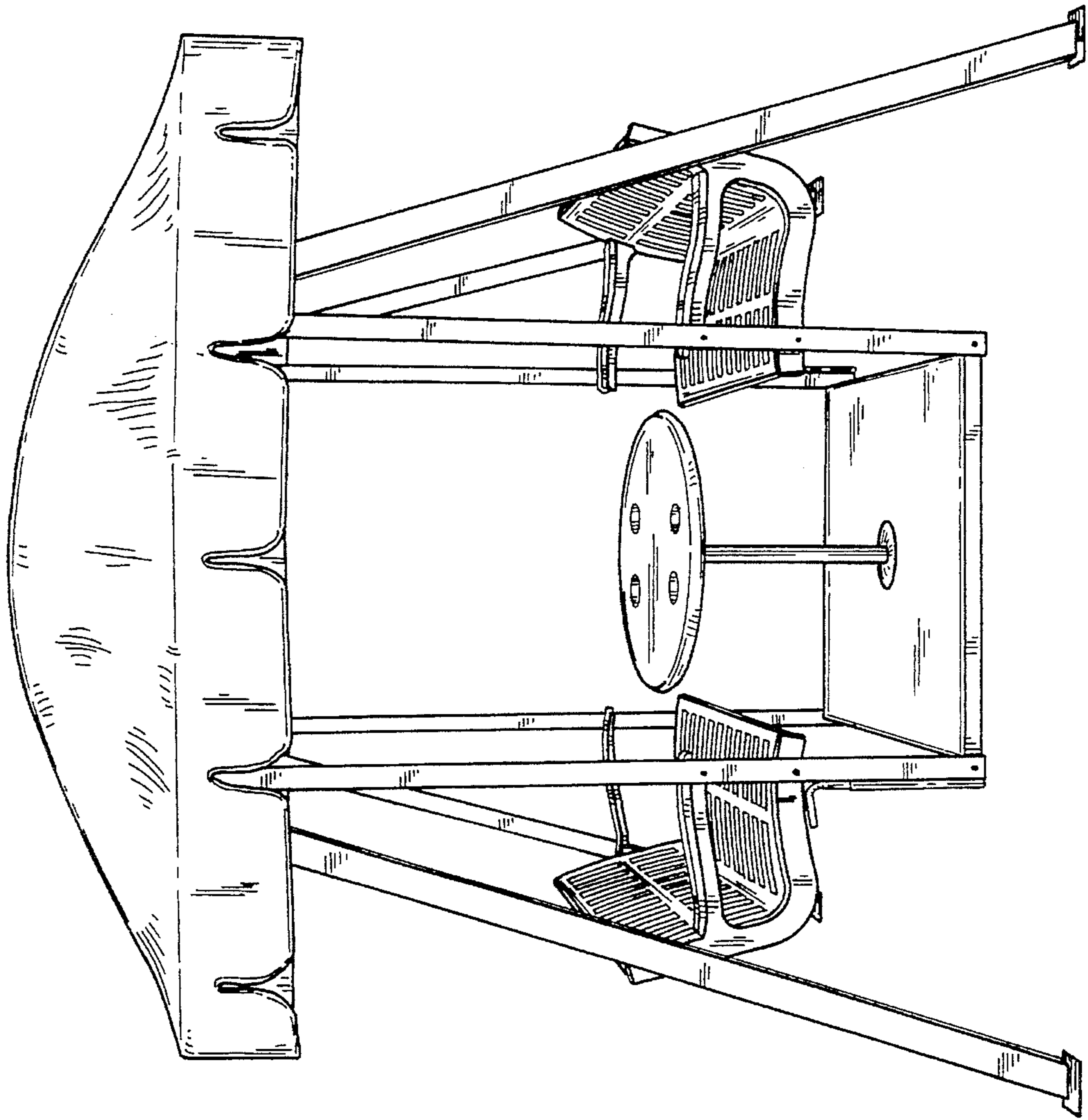


FIG. 2

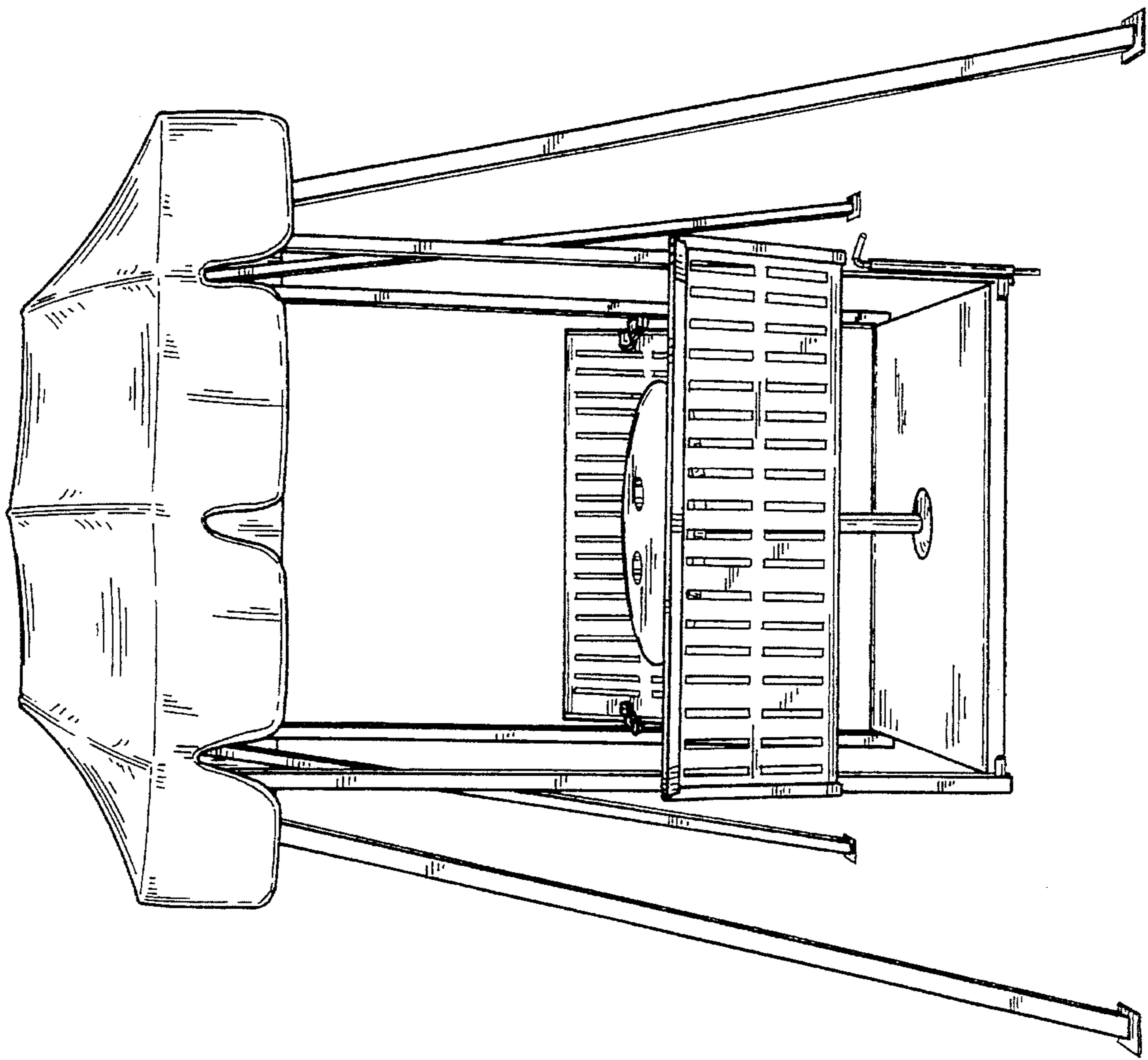


FIG. 3

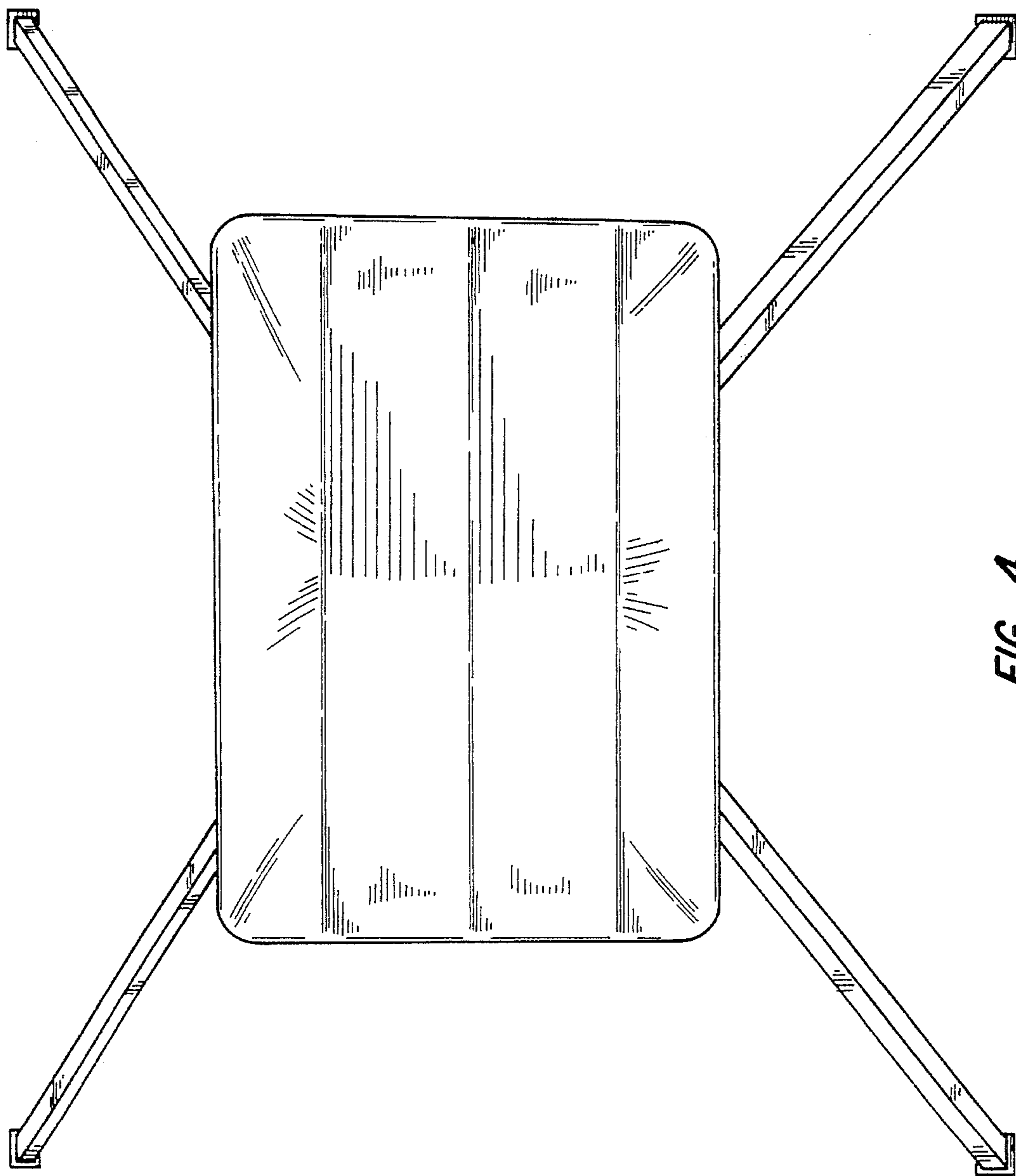


FIG. 4

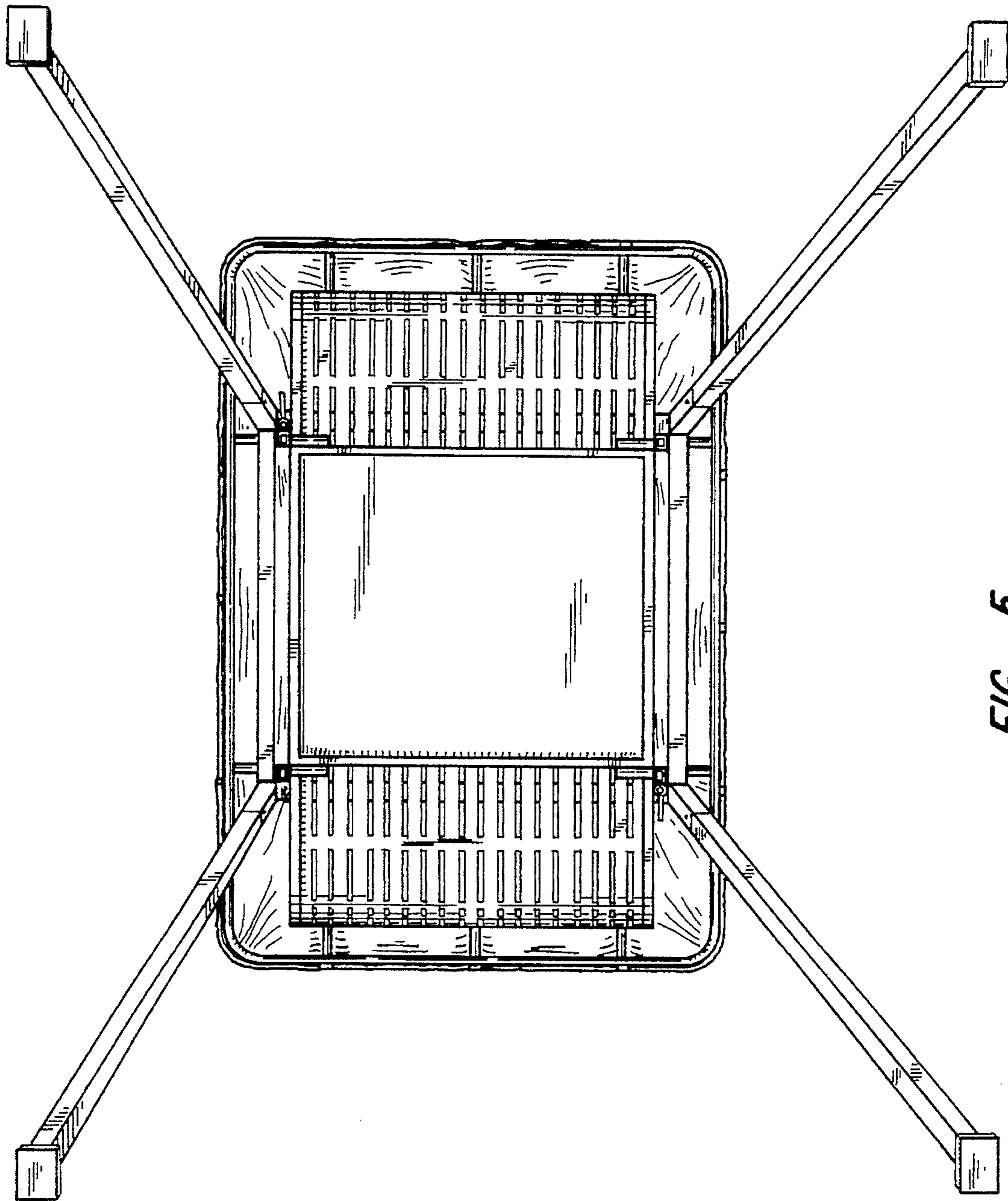


FIG. 5