



US00D366145S

United States Patent [19]

Hankins et al.

[11] Patent Number: **Des. 366,145**

[45] Date of Patent: ****Jan. 16, 1996**

[54] **UTILITY BAG**

[76] Inventors: **Gregory P. Hankins**, 3808 Beechwood Dr., Lee's Summit, Mo. 64064; **Albert L. Hankins**, 13613 E. 41st Ter., Independence, Mo. 64055

[**] Term: **14 Years**

[21] Appl. No.: **23,077**

[22] Filed: **May 17, 1994**

[52] U.S. Cl. **D3/231; D3/900**

[58] Field of Search D3/201, 226, 227, D3/231, 232, 245, 273, 276, 283, 300, 303, 318, 319, 900; 150/107, 111, 112, 117; 190/111; 383/7, 38; 224/42.11, 235, 236

[56] **References Cited**

U.S. PATENT DOCUMENTS

D. 247,524	3/1978	Graham	D3/231
D. 254,343	3/1980	Babcock	D3/231
D. 254,698	4/1980	Tawil	D3/231

D. 311,093	10/1990	Hoffman	D3/231
2,813,602	11/1957	MacArthur, Jr.	383/7 X
3,717,188	2/1973	Green	224/42.11 X

Primary Examiner—Louis S. Zarfaz
Assistant Examiner—Monica A. Hannon
Attorney, Agent, or Firm—Shook, Hardy & Bacon

[57] **CLAIM**

The ornamental design for a utility bag, as shown and described.

DESCRIPTION

FIG. 1 is a perspective view of the utility bag according to the present invention;
FIG. 2 is a top plan view thereof;
FIG. 3 is a bottom plan view thereof;
FIG. 4 is an elevational view of one side of the utility bag according to the present invention;
FIG. 5 is an elevational view of one end of the bag, the other end being substantially identical thereto; and,
FIG. 6 is an elevational view of the other side of the utility bag according to the present invention.

1 Claim, 3 Drawing Sheets

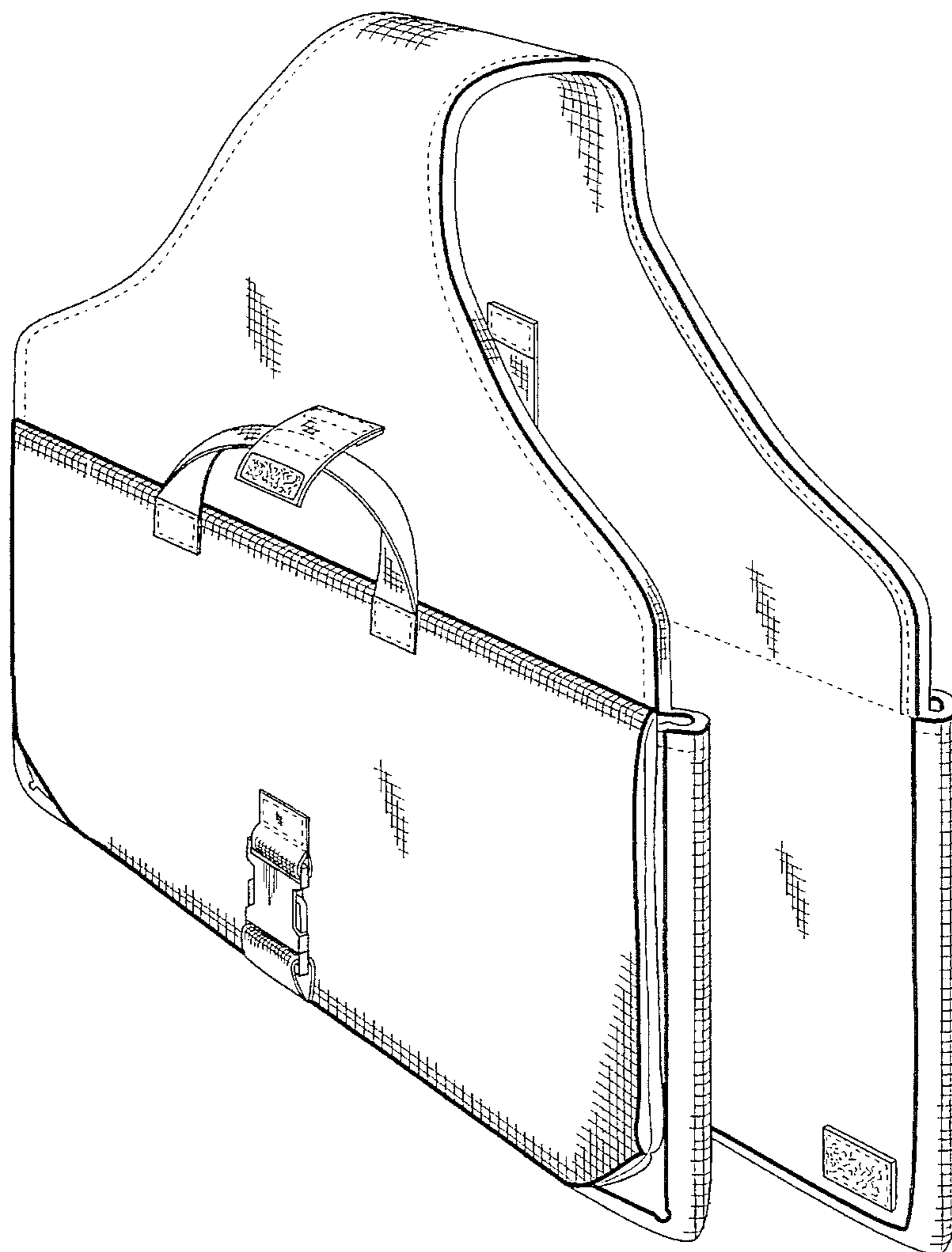


Fig. 1.

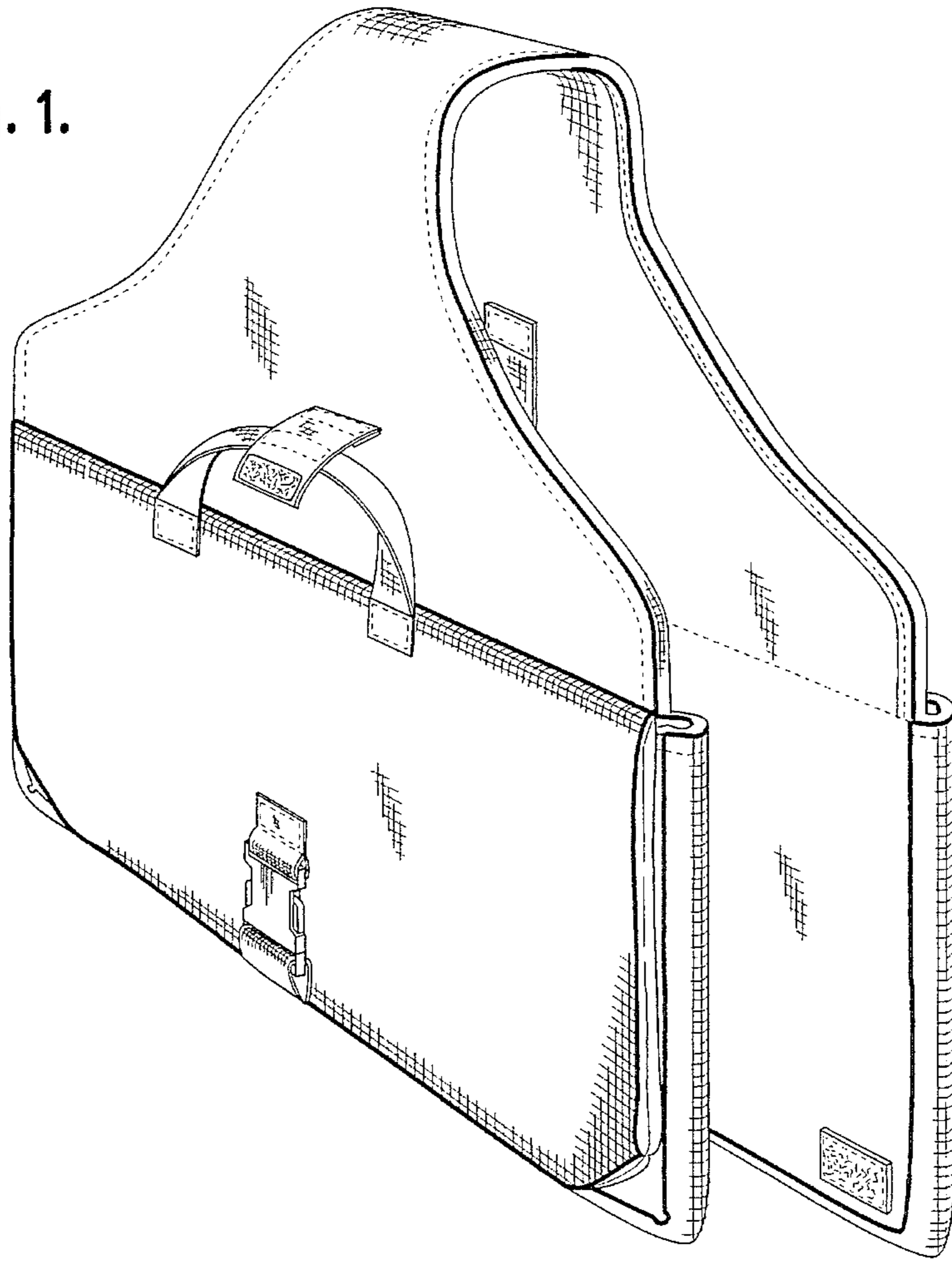


Fig. 2.

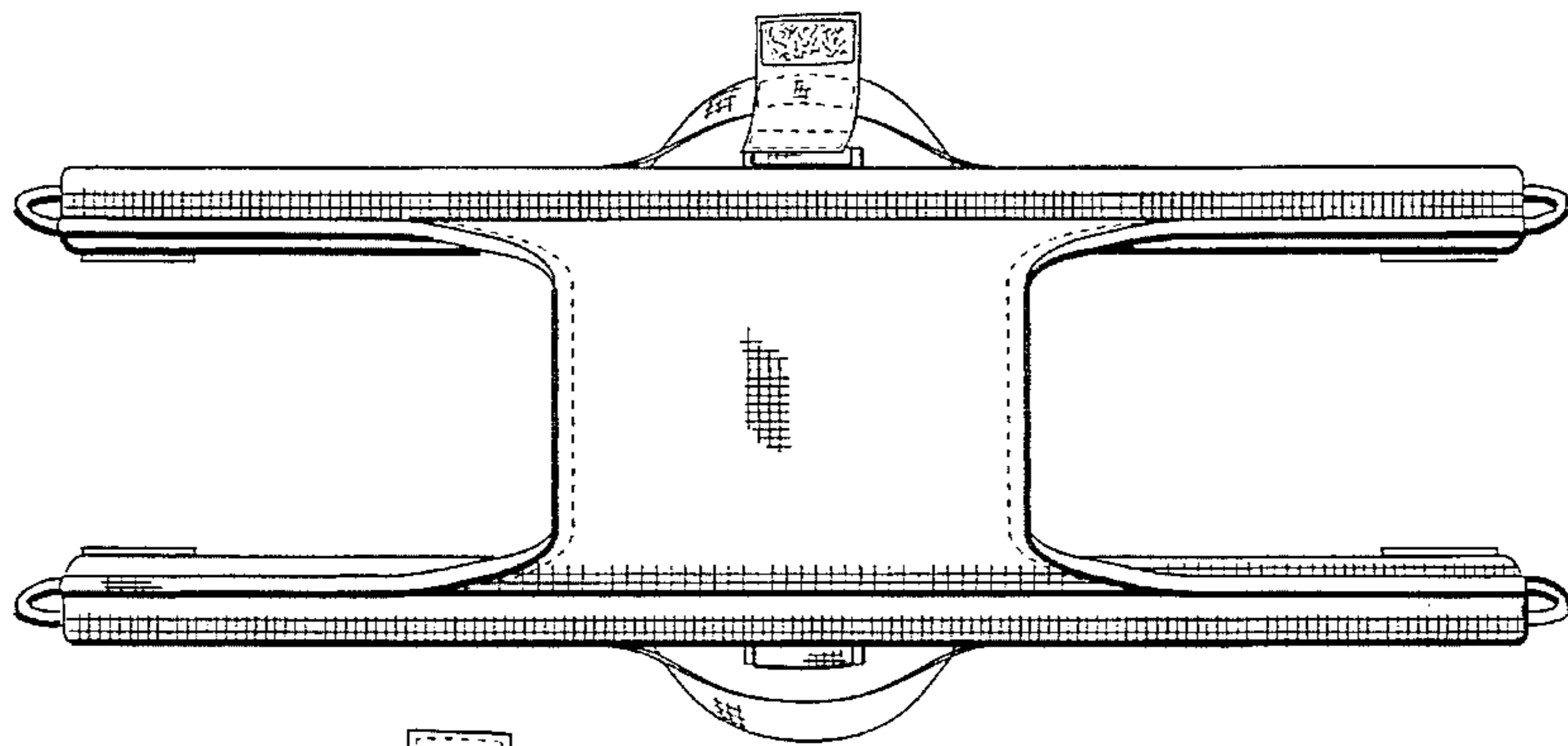


Fig. 3.

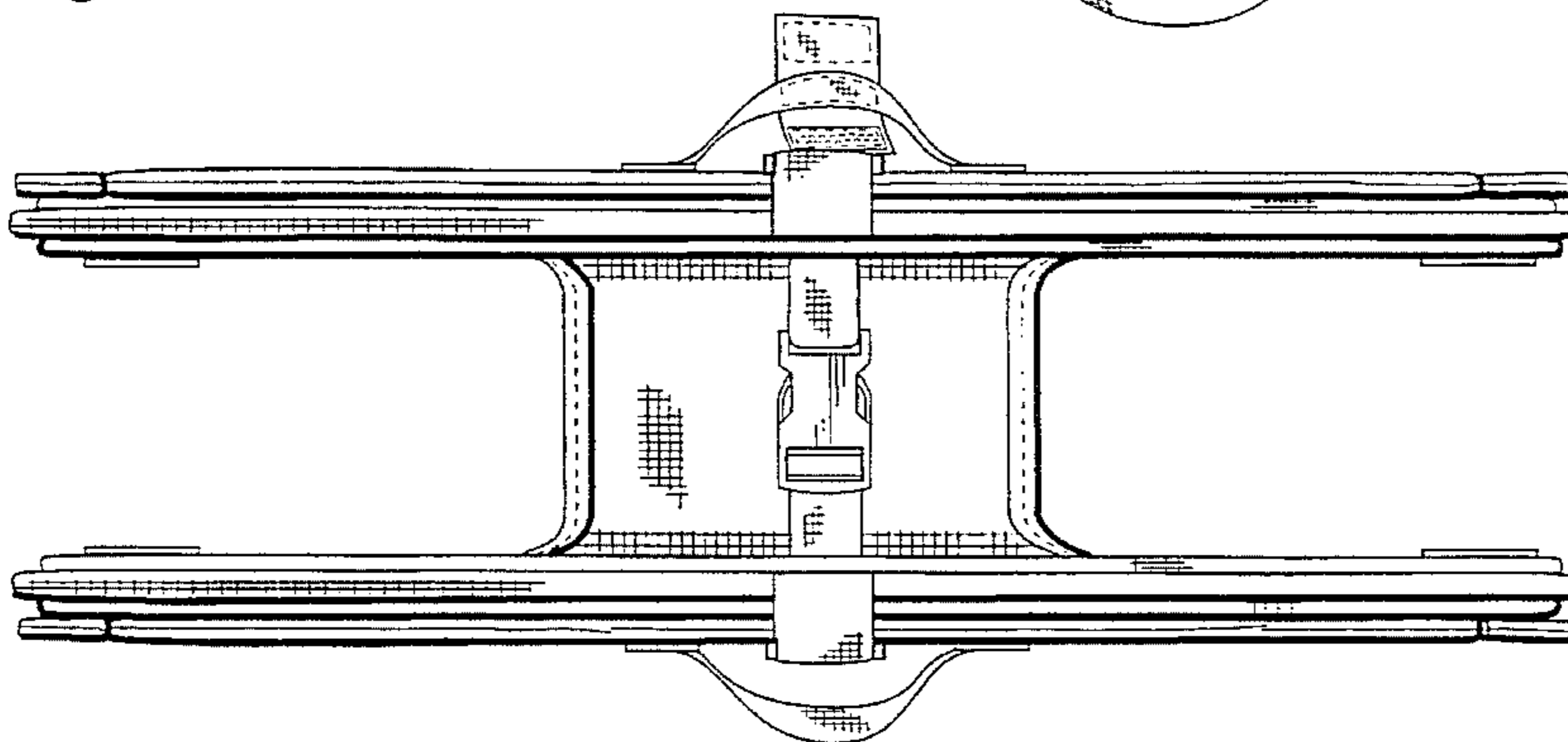


Fig. 4.

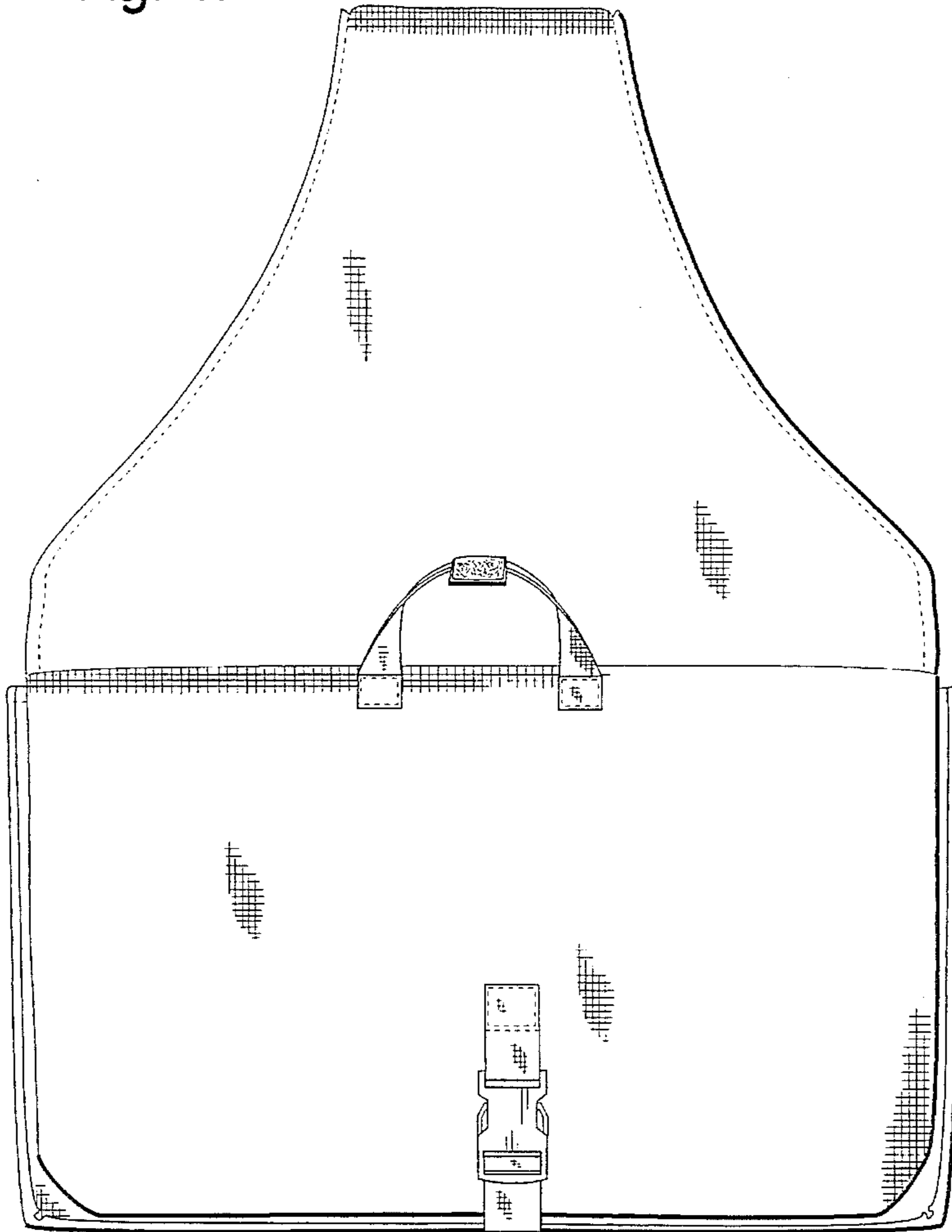


Fig. 5.

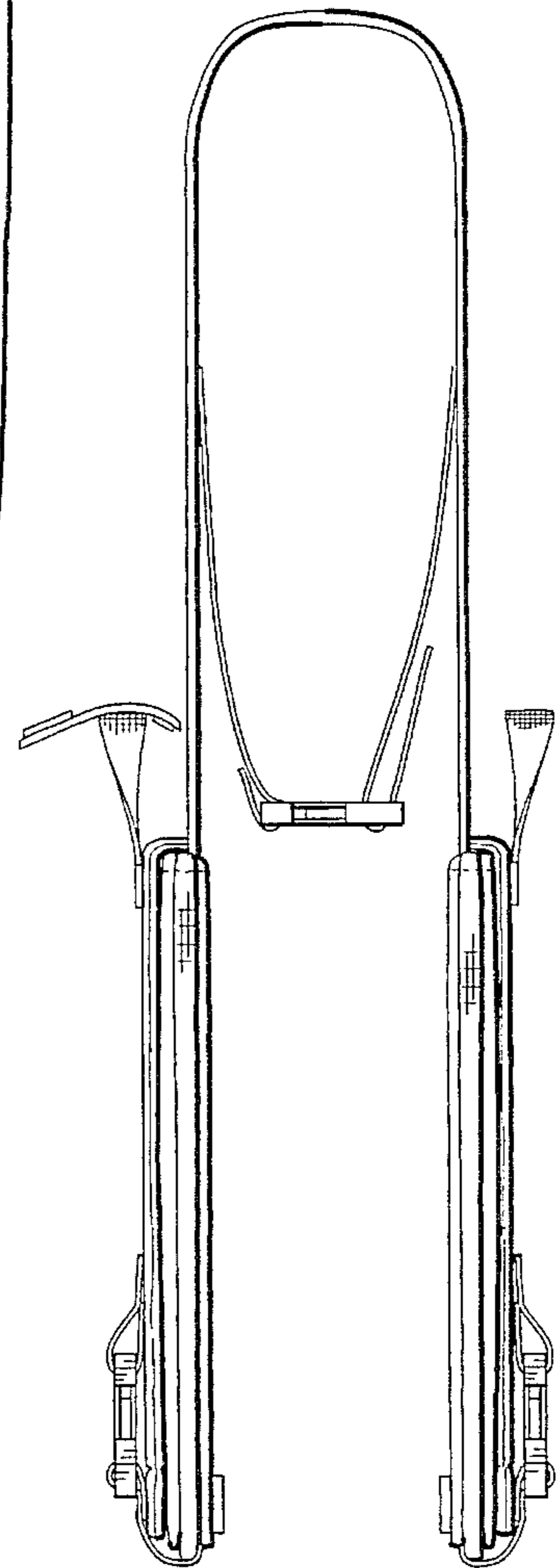


Fig. 6.

