



US00D366126S

United States Patent [19]

[11] Patent Number: Des. 366,126

Lin

[45] Date of Patent: **Jan. 9, 1996

[54] COMBINED FLEXIBLE LIGHT STRIP AND CONNECTORS THEREFOR

[76] Inventor: Yuan Lin, P.O. Box 1-252, Sanchung, Taiwan

[**] Term: 14 Years

[21] Appl. No.: 23,081

[22] Filed: May 17, 1994

[52] U.S. Cl. D26/25; D26/24

[58] Field of Search D26/24, 25; 362/236, 362/237, 238, 239, 240, 249, 250

[56] References Cited

U.S. PATENT DOCUMENTS

4,376,966	3/1983	Tieszen	362/249
5,027,262	6/1991	Freed	362/249

Primary Examiner—Susan J. Lucas

[57] CLAIM

The ornamental design for a combined flexible light strip and connectors therefor, as shown and described.

DESCRIPTION

FIG. 1 is a top, front perspective view of the combined flexible light strip and connectors therefor showing my new

design, the connectors being separated from the light strip for purpose of disclosure;

FIG. 2 is a top plan view of the flexible light strip, the connectors being omitted for purpose of disclosure;

FIG. 3 is a left side view thereof;

FIG. 4 is a front view thereof;

FIG. 5 is a right side view thereof;

FIG. 6 is a bottom plan view thereof;

FIG. 7 is a rear elevational view thereof;

FIG. 8 is a top plan view of the left plug, the bottom being a mirror image, and the light strip and right plug being omitted for convenience of illustration and purpose of disclosure;

FIG. 9 is a right side view thereof, the left side being a mirror image;

FIG. 10 is a front view thereof, the rear being a mirror image;

FIG. 11 is a left side view thereof;

FIG. 12 is a plan view of the right plug, the bottom being a mirror image, and the light strip and left plug being omitted for convenience of illustration and purpose of disclosure;

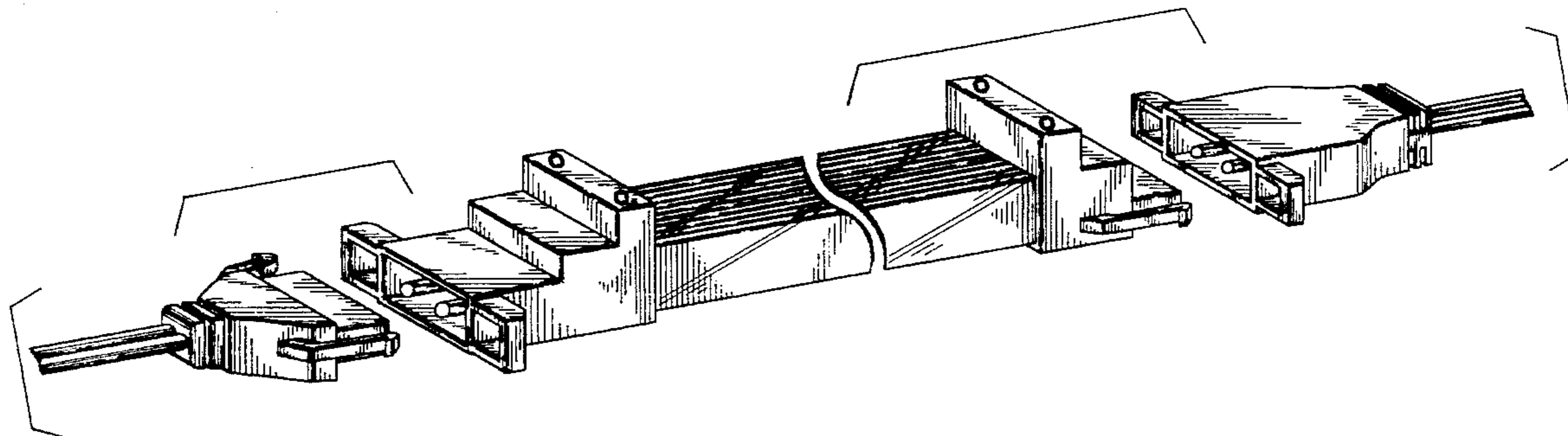
FIG. 13 is a right side view thereof;

FIG. 14 is a front view thereof, the rear being a mirror image; and,

FIG. 15 is a left side view thereof.

The light strip is broken away to indicate indeterminate length.

1 Claim, 3 Drawing Sheets



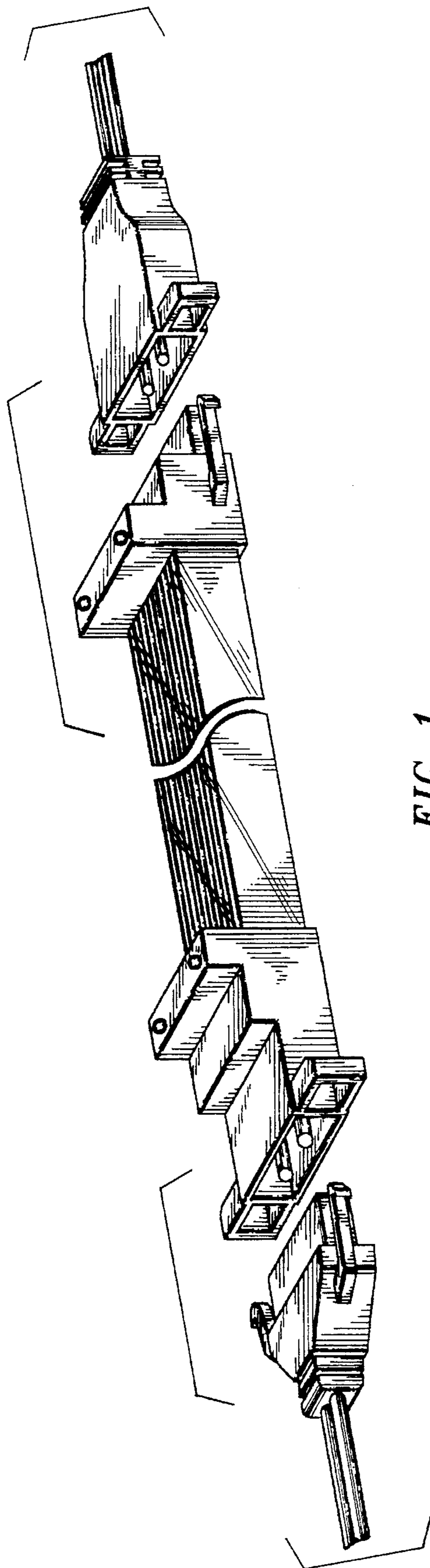


FIG 1

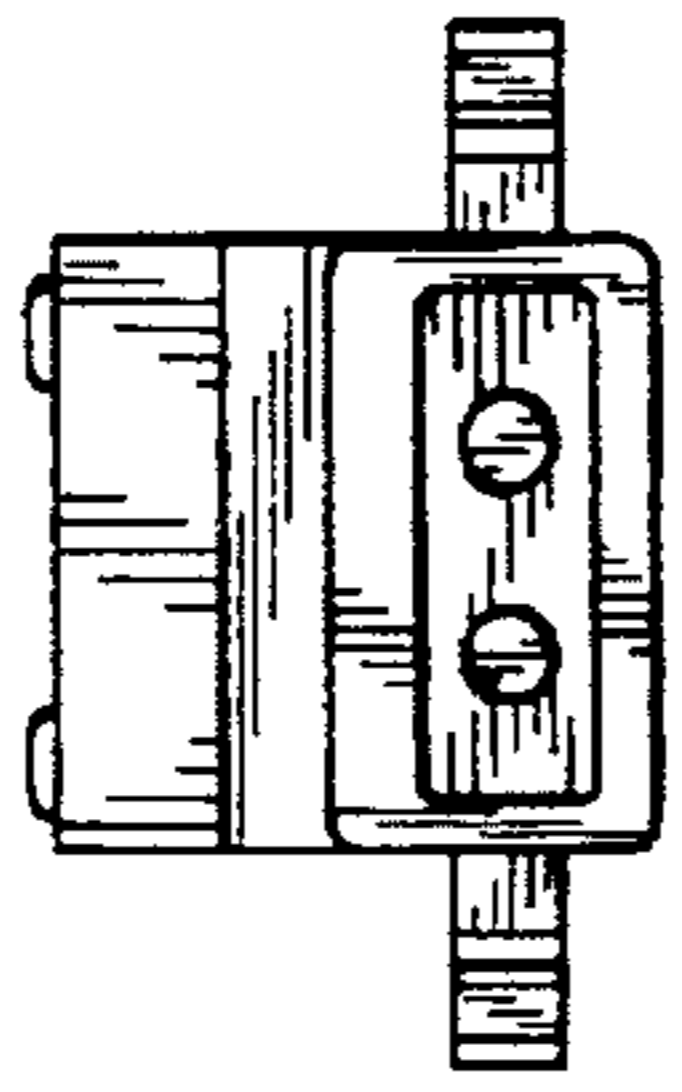
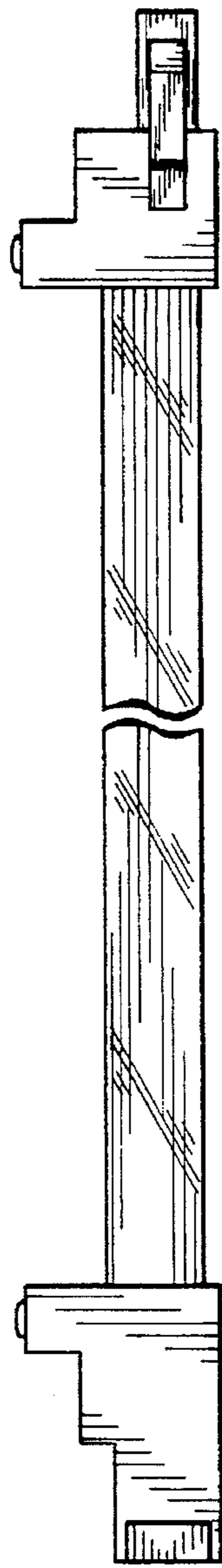
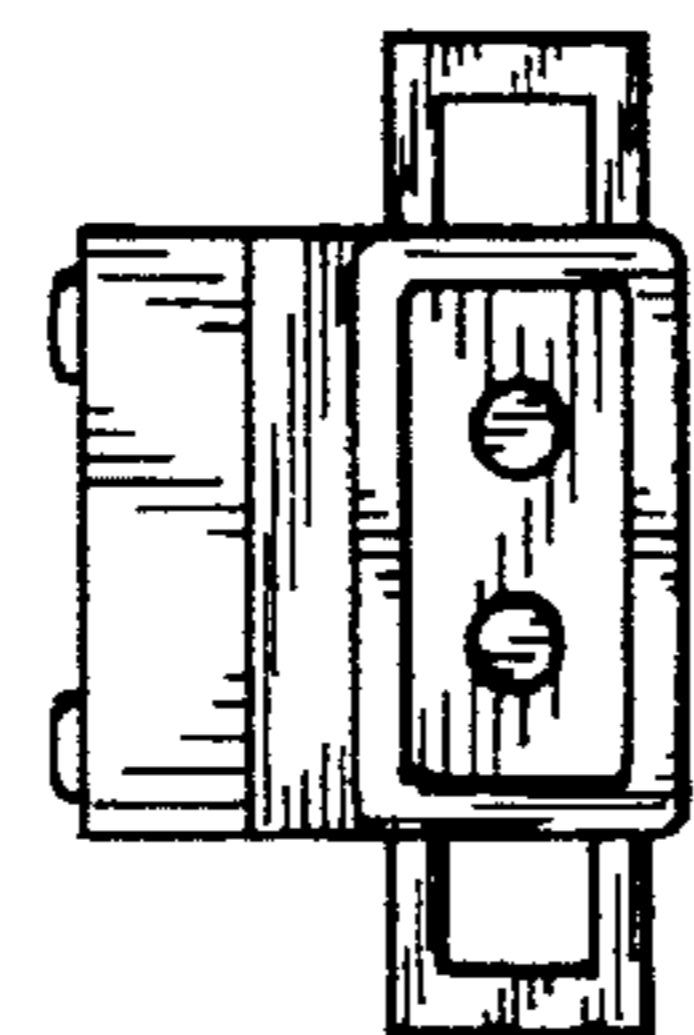
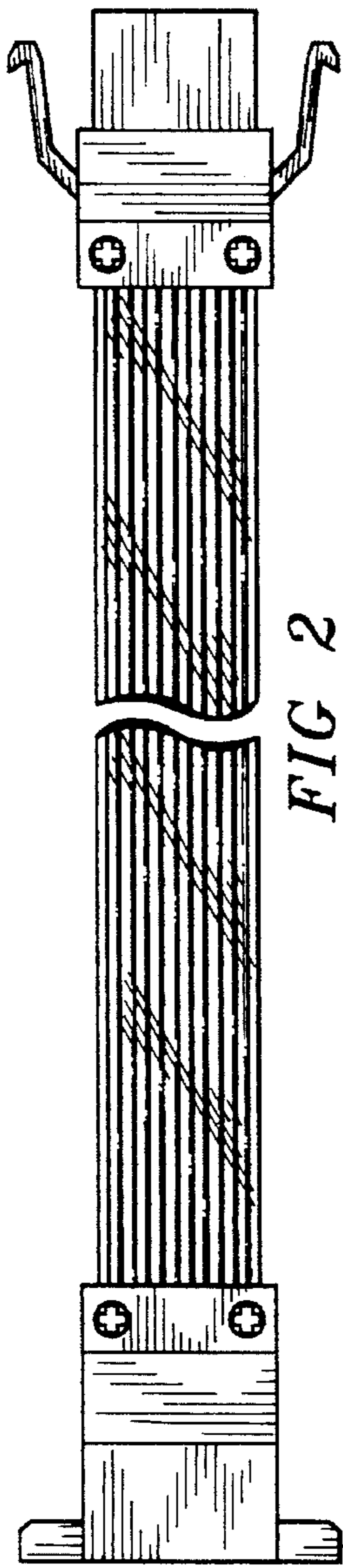


FIG 3

FIG 4

FIG 5

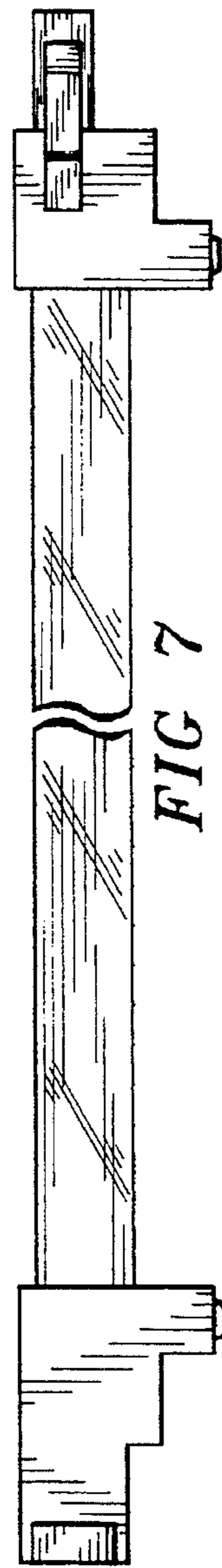
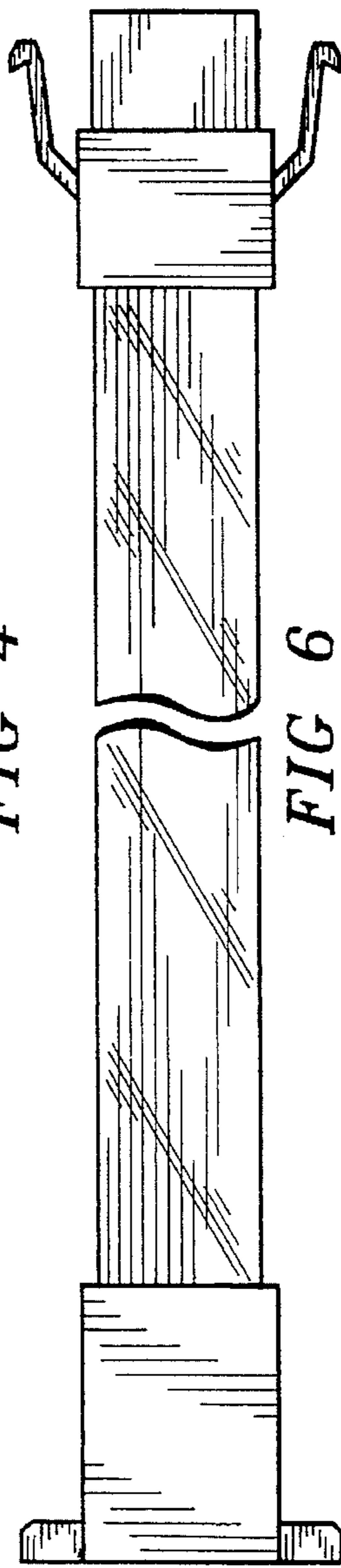


FIG 6

FIG 7

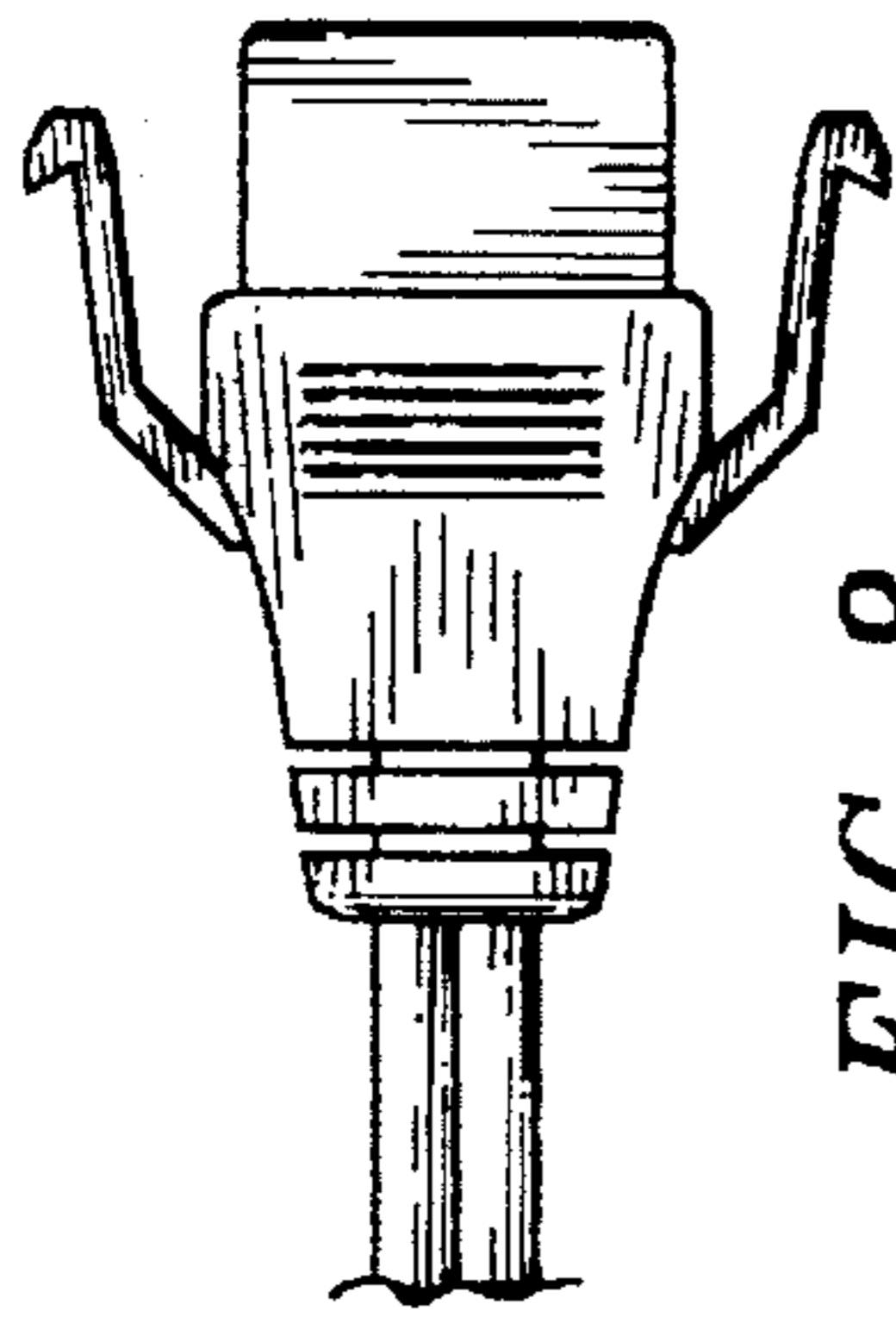


FIG 8



FIG 9

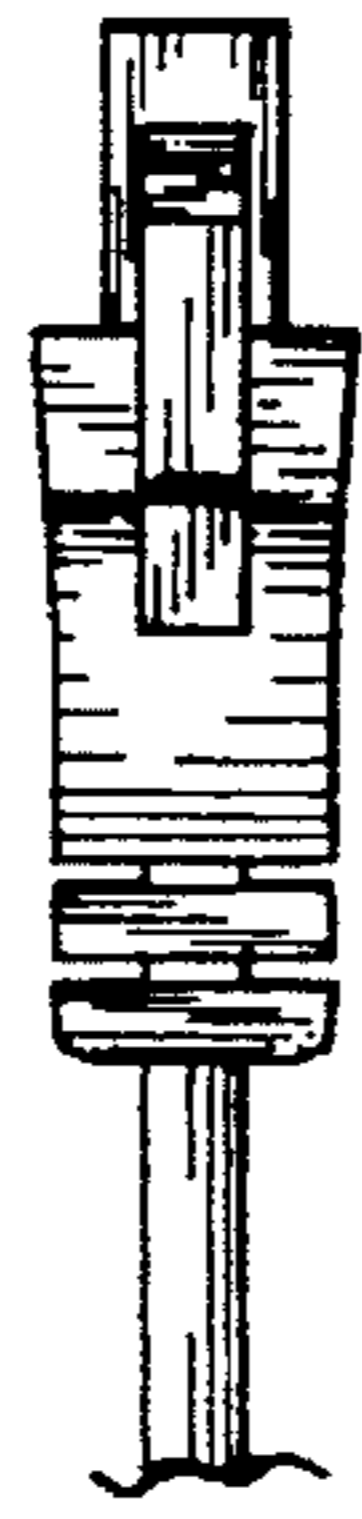


FIG 10



FIG 11

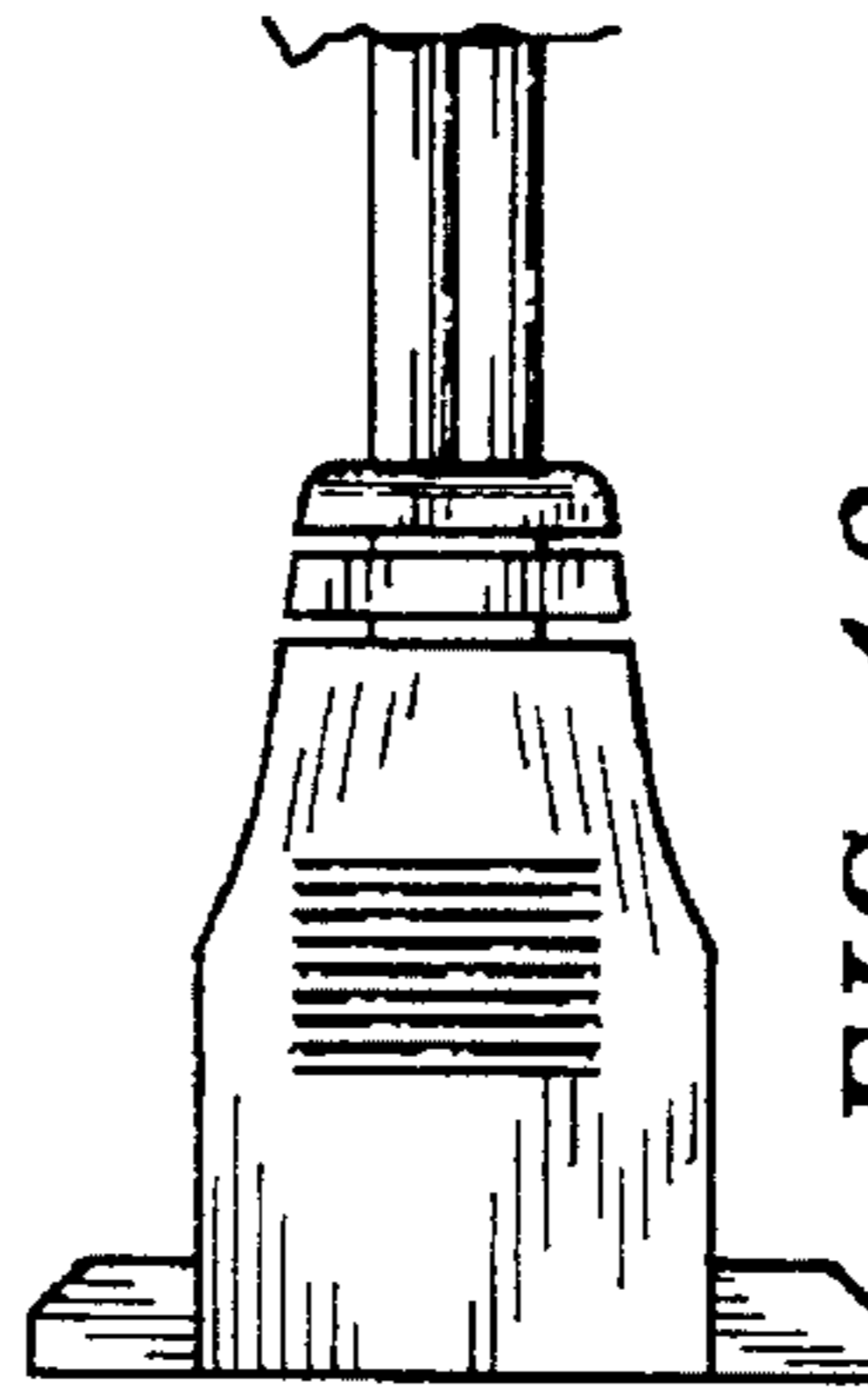


FIG 12

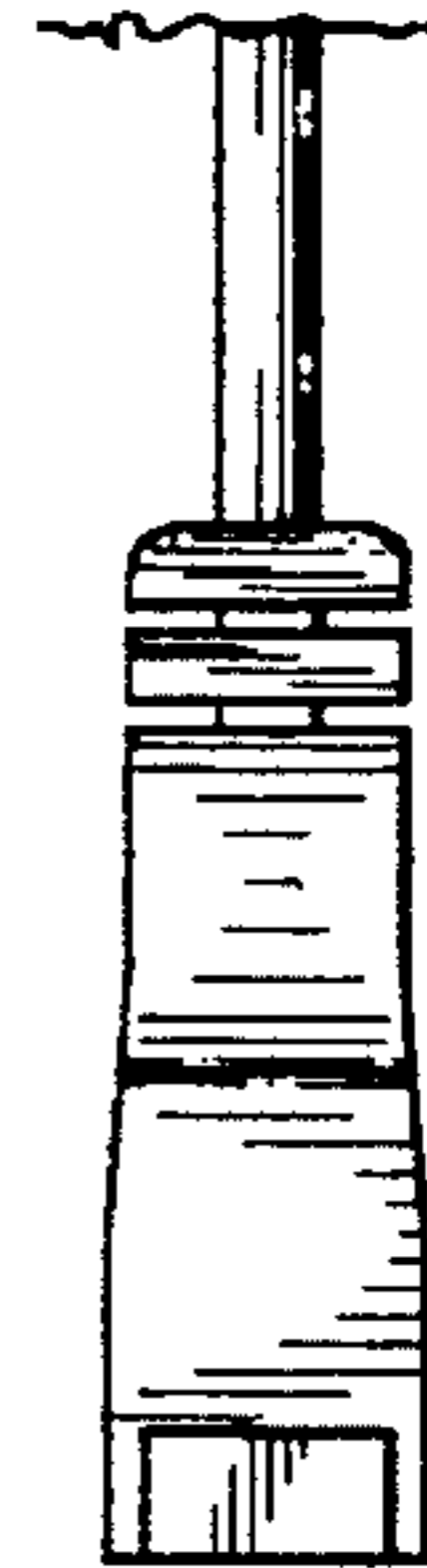


FIG 14



FIG 13



FIG 15