



US00D366119S

United States Patent [19]

[11] Patent Number: **Des. 366,119**

Headrick

[45] Date of Patent: ****Jan. 9, 1996**

[54] **COMBINED HANDICAP DOOR SILL AND THRESHOLD**

Primary Examiner—Doris Clark
Attorney, Agent, or Firm—Hopkins & Thomas

[76] Inventor: **J. Charles Headrick**, 6171 Willow Run Rd., Norcross, Ga. 30092

[57] **CLAIM**

[**] Term: **14 Years**

The ornamental design entitled combined handicap door sill and threshold, as shown and described.

[21] Appl. No.: **31,404**

DESCRIPTION

[22] Filed: **Nov. 25, 1994**

[52] U.S. Cl. **D25/48**

[58] Field of Search D25/48, 60, 102;
49/467, 471

FIG. 1 is a fragmentary view of my new combined handicap door sill and threshold design;

FIG. 2 is a right side view of my new design, the left side view being a mirror image thereof;

FIG. 3 is a top plan view thereof, the combined handicap door sill and threshold has been broken in the center for ease of illustration;

FIG. 4 is a rear view thereof;

FIG. 5 is a bottom view thereof; and,

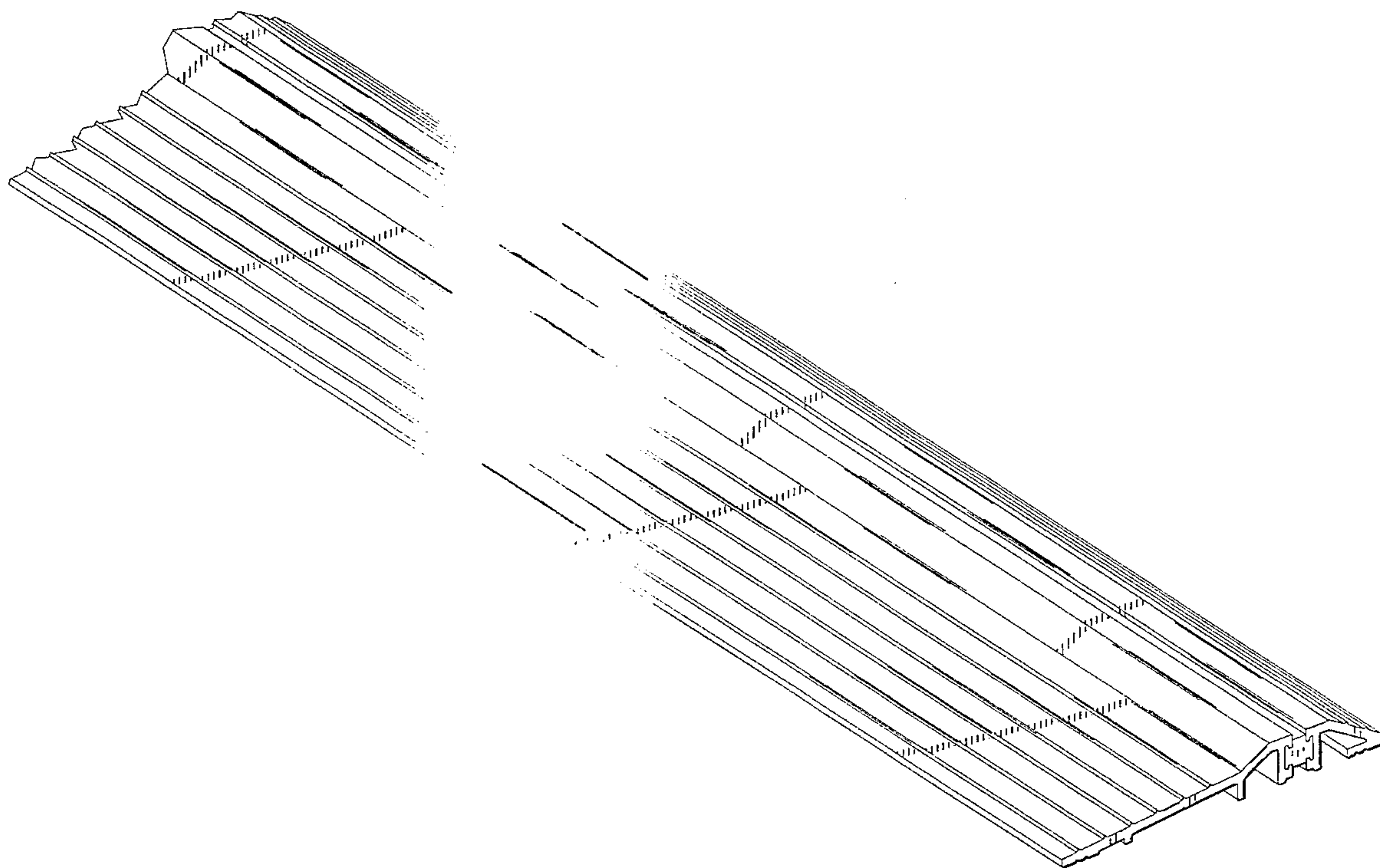
FIG. 6 is a front view thereof.

[56] References Cited

U.S. PATENT DOCUMENTS

D. 354,572	1/1995	Headrick	D25/48
2,794,219	6/1957	MacHanburg	49/469
3,273,287	9/1966	Pease, Jr.	49/470
3,374,579	3/1968	Neff	49/468

1 Claim, 3 Drawing Sheets



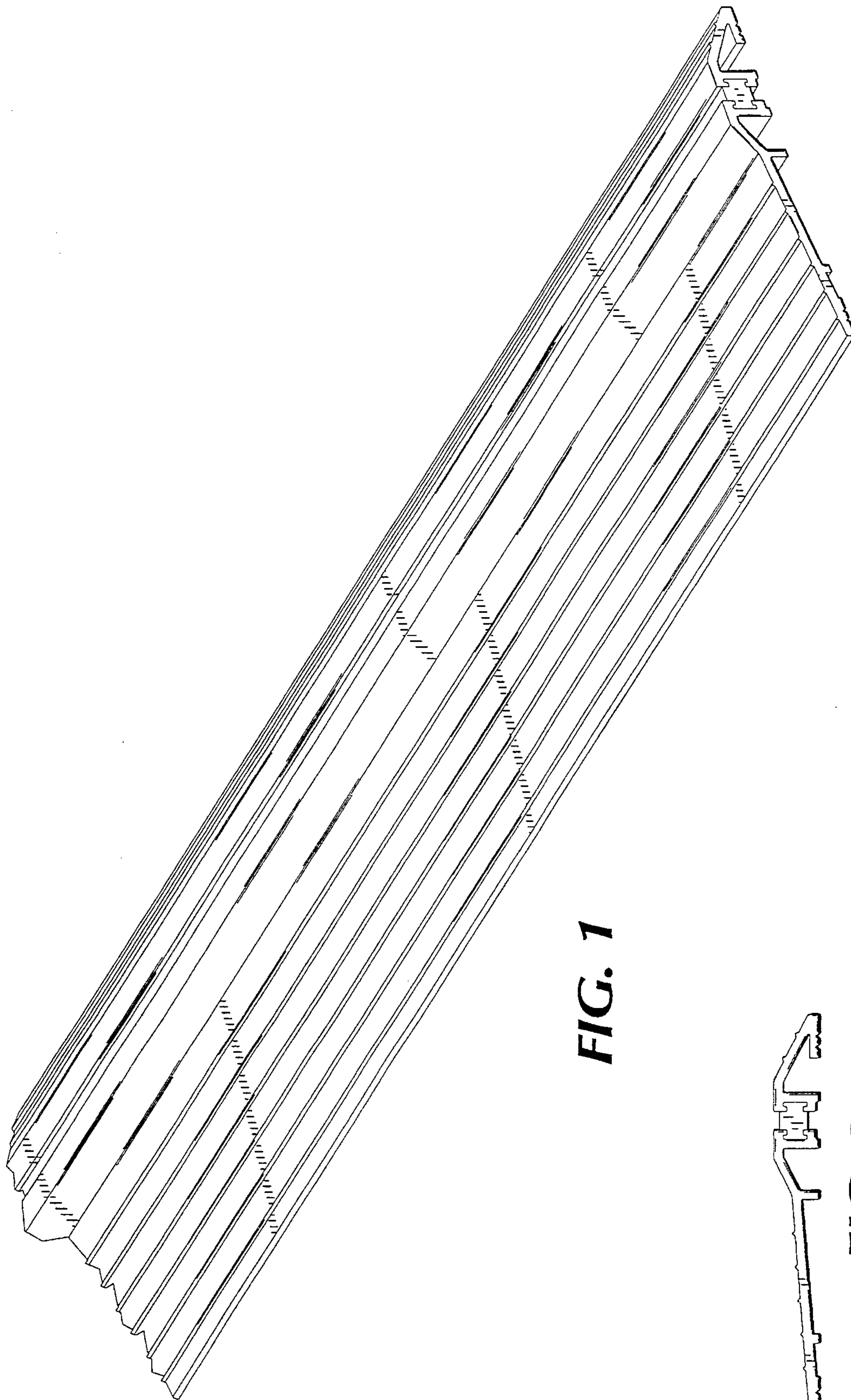


FIG. 1



FIG. 2

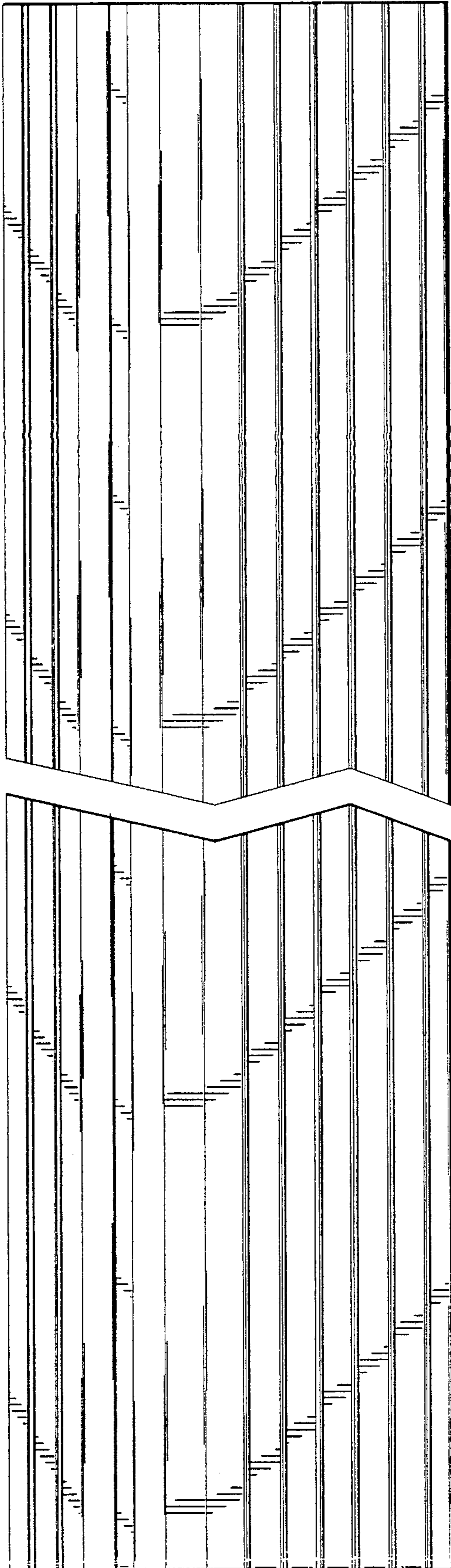


FIG. 3



FIG. 4

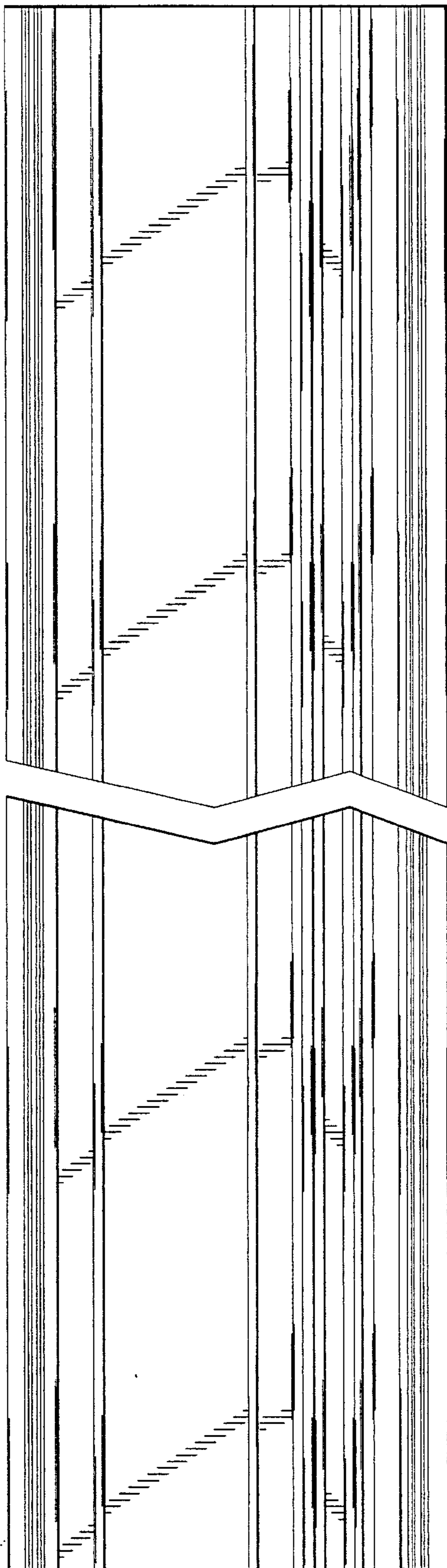


FIG. 5



FIG. 6