



US00D366116S

**United States Patent** [19]  
**Biskupski**

[11] **Patent Number:** **Des. 366,116**

[45] **Date of Patent:** **\*\*Jan. 9, 1996**

[54] **ELECTRICAL BOX FOR STORING DENTAL WAX**

*Assistant Examiner*—M. H. Tung  
*Attorney, Agent, or Firm*—Bachman & LaPointe

[76] **Inventor:** **Thomas Biskupski**, Zeppelinstr. 2,  
78234 Engen, Germany

[57] **CLAIM**

The ornamental design for a electrical box for storing dental wax, as shown and described.

[\*\*] **Term:** **14 Years**

**DESCRIPTION**

[21] **Appl. No.:** **30,605**

FIG. 1 is a front perspective view of a electrical box for storing dental wax showing a first embodiment of my new design;

[22] **Filed:** **Nov. 3, 1994**

FIG. 2 is a front elevational view thereof;

[30] **Foreign Application Priority Data**

May 3, 1994 [DE] Germany ..... M 94 03 622.5

FIG. 3 is a left side elevational view thereof;

[52] **U.S. Cl.** ..... **D24/177**; D24/216

FIG. 4 is a right side elevational view thereof;

[58] **Field of Search** ..... D24/176-182,  
D24/216, 221, 224, 227; 433/32; 219/230,  
238, 242, 421, 433, 479, 521; D23/314

FIG. 5 is a rear elevational view thereof;

FIG. 6 is a bottom plan view thereof;

FIG. 7 is a top plan view thereof;

[56] **References Cited**

**U.S. PATENT DOCUMENTS**

D. 347,478	5/1994	Pinkney	.....	D24/216
D. 352,360	11/1994	Nugteren	.....	D24/216
3,902,043	8/1975	Rogan	.....	219/479 X
4,441,013	4/1984	Masreliez	.....	219/242 X
4,563,573	1/1986	Harbelius et al.	.....	219/521 X
4,793,807	12/1988	Friedman et al.	.....	433/32 X
5,048,742	9/1991	Fortune	.....	219/242 X

FIG. 8 is a front perspective view of a electrical box for storing dental wax showing a second embodiment of my new design;

FIG. 9 is a front elevational view thereof;

FIG. 10 is a left side elevational view thereof;

FIG. 11 is a right side elevational view thereof;

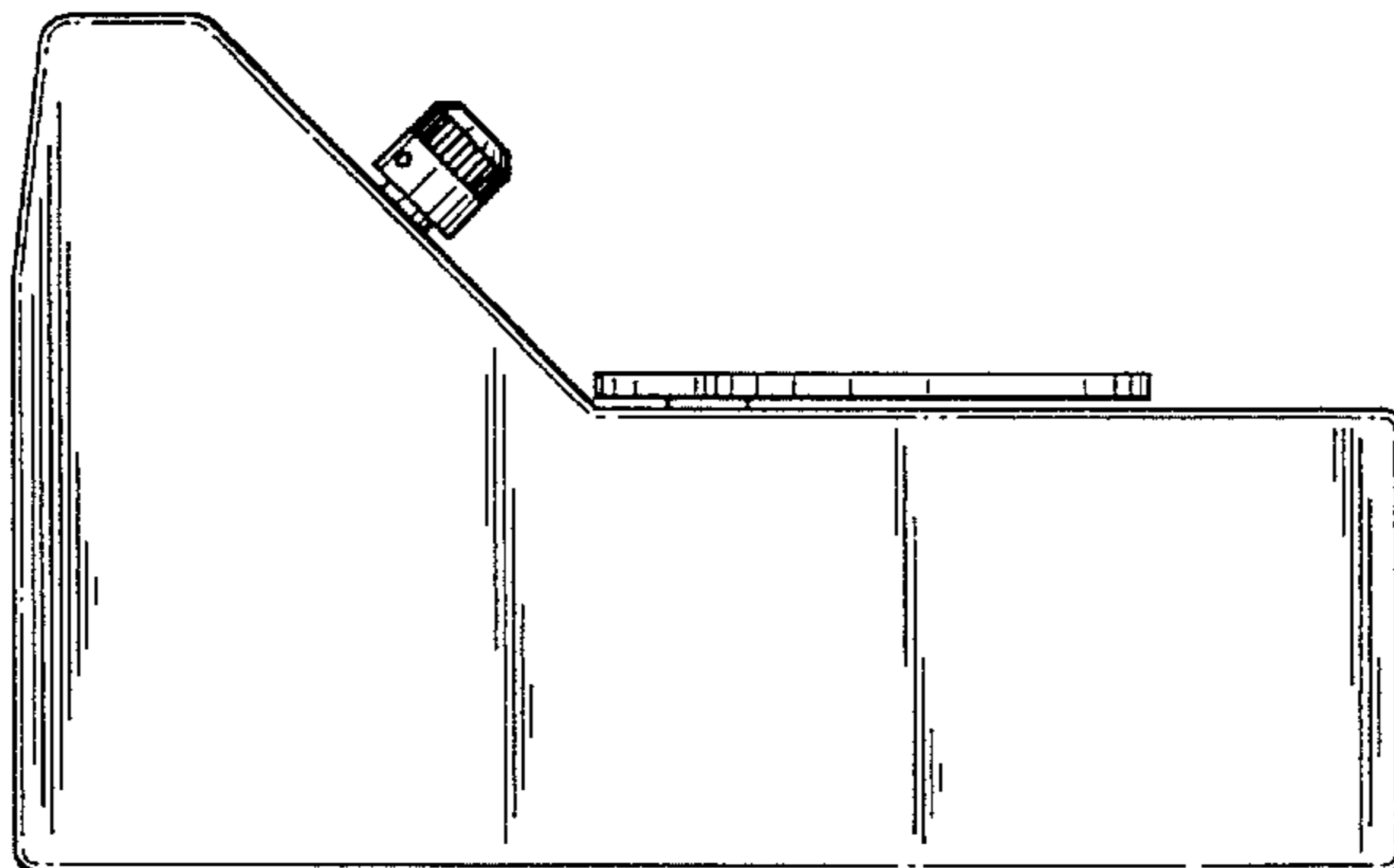
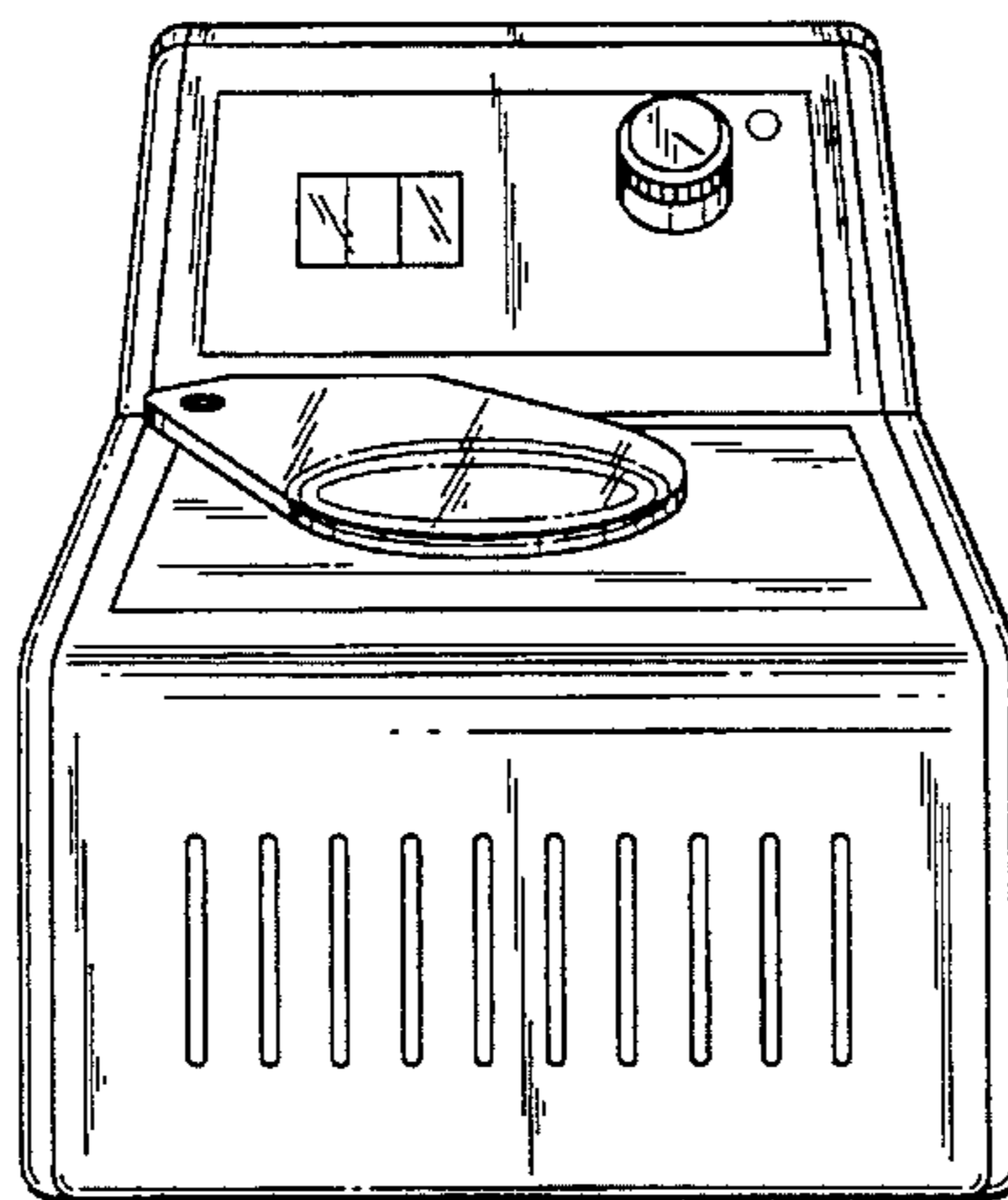
FIG. 12 is a rear elevational view thereof;

FIG. 13 is a bottom plan view thereof; and,

FIG. 14 is a top plan view thereof.

*Primary Examiner*—A. Hugo Word

**1 Claim, 4 Drawing Sheets**



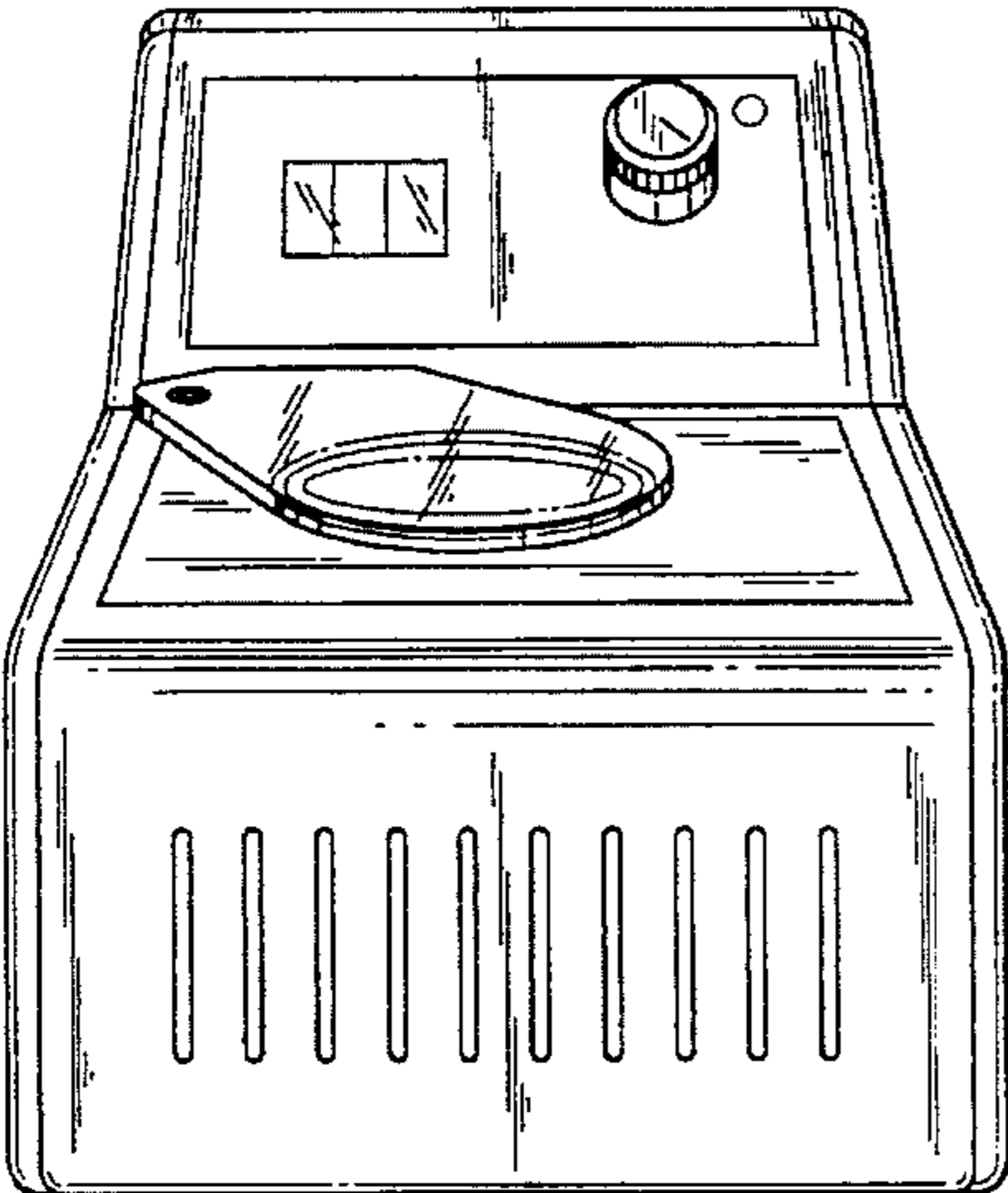


FIG-1

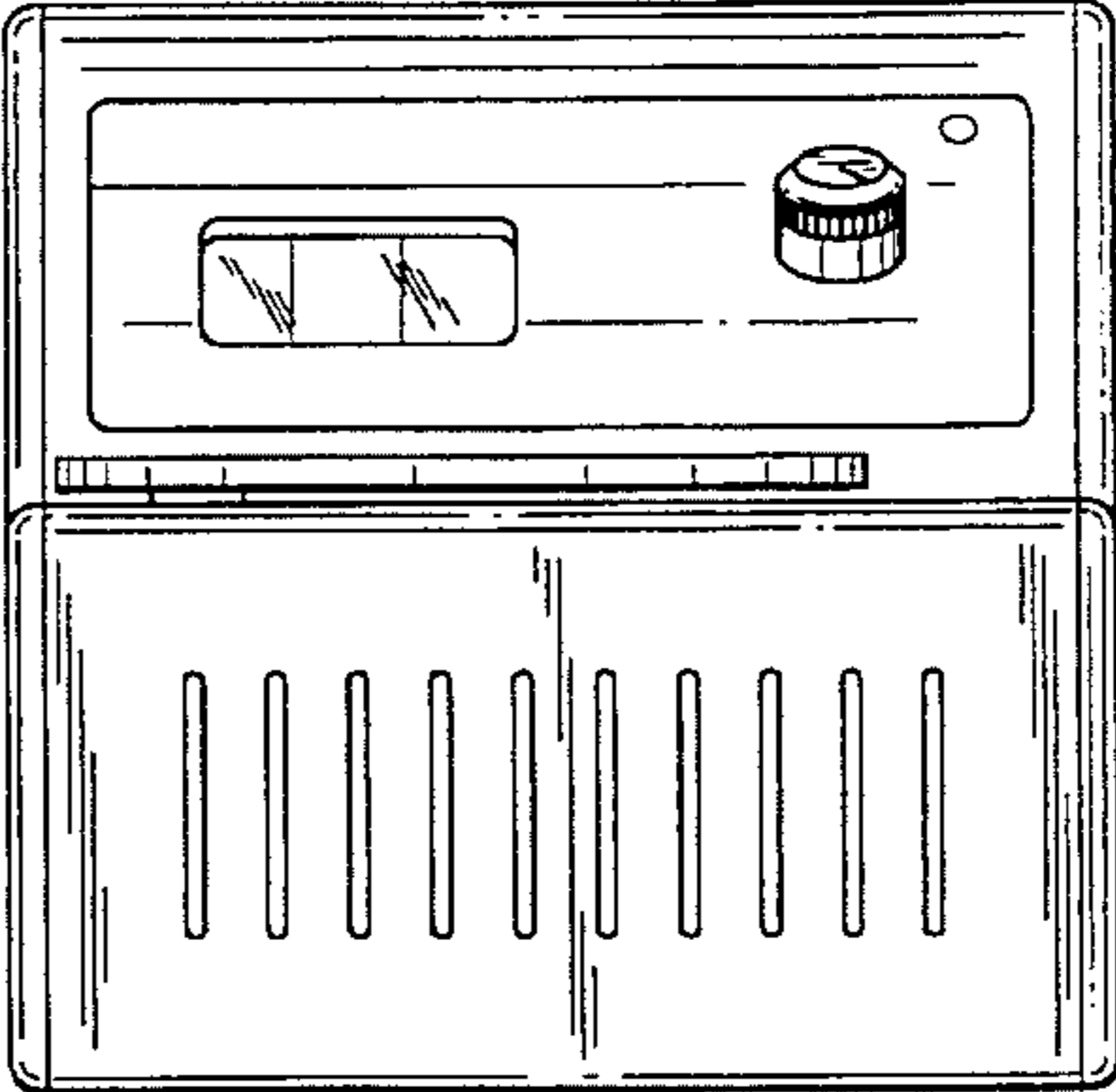


FIG-2

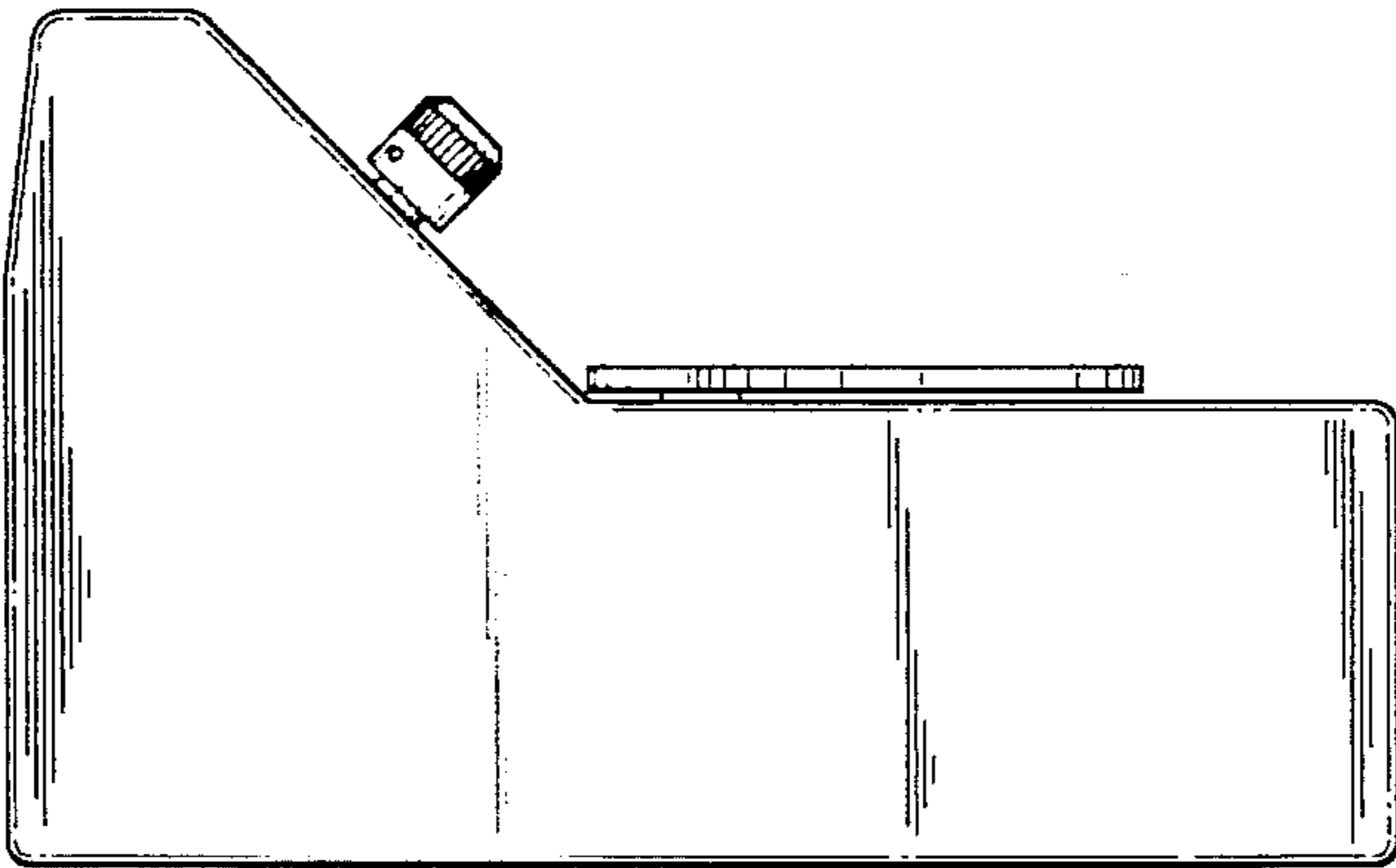


FIG-3

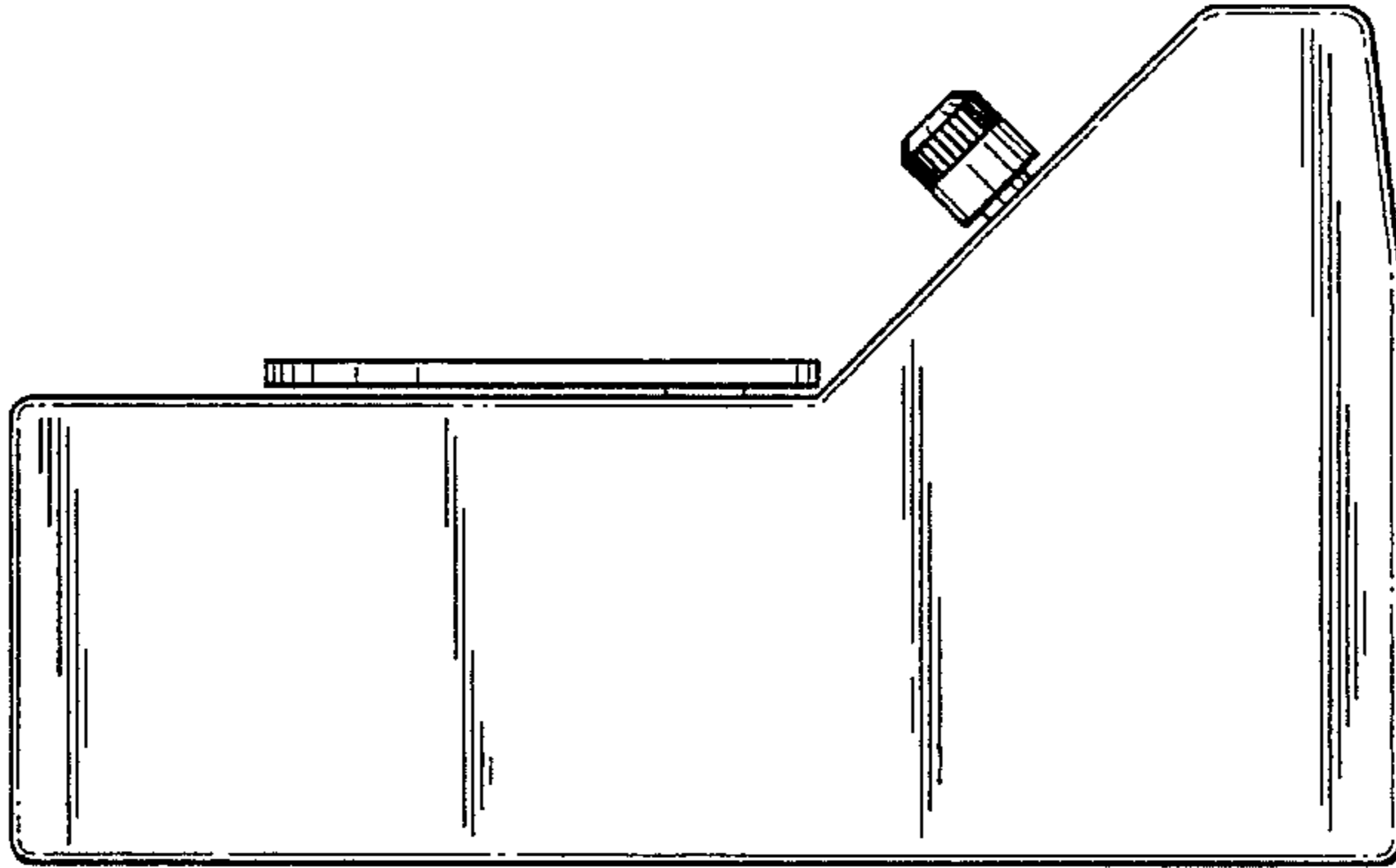


FIG-4

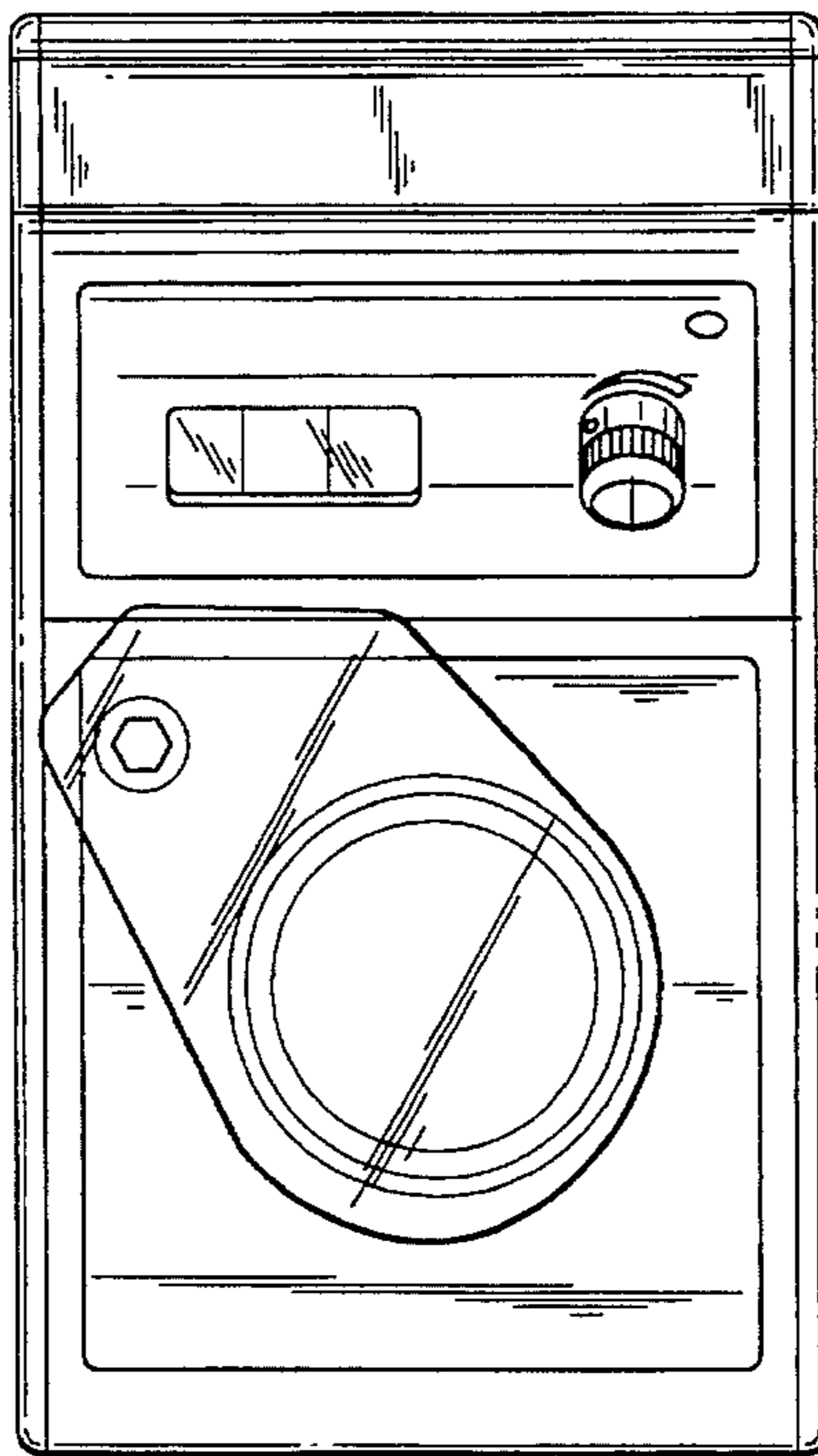


FIG-7

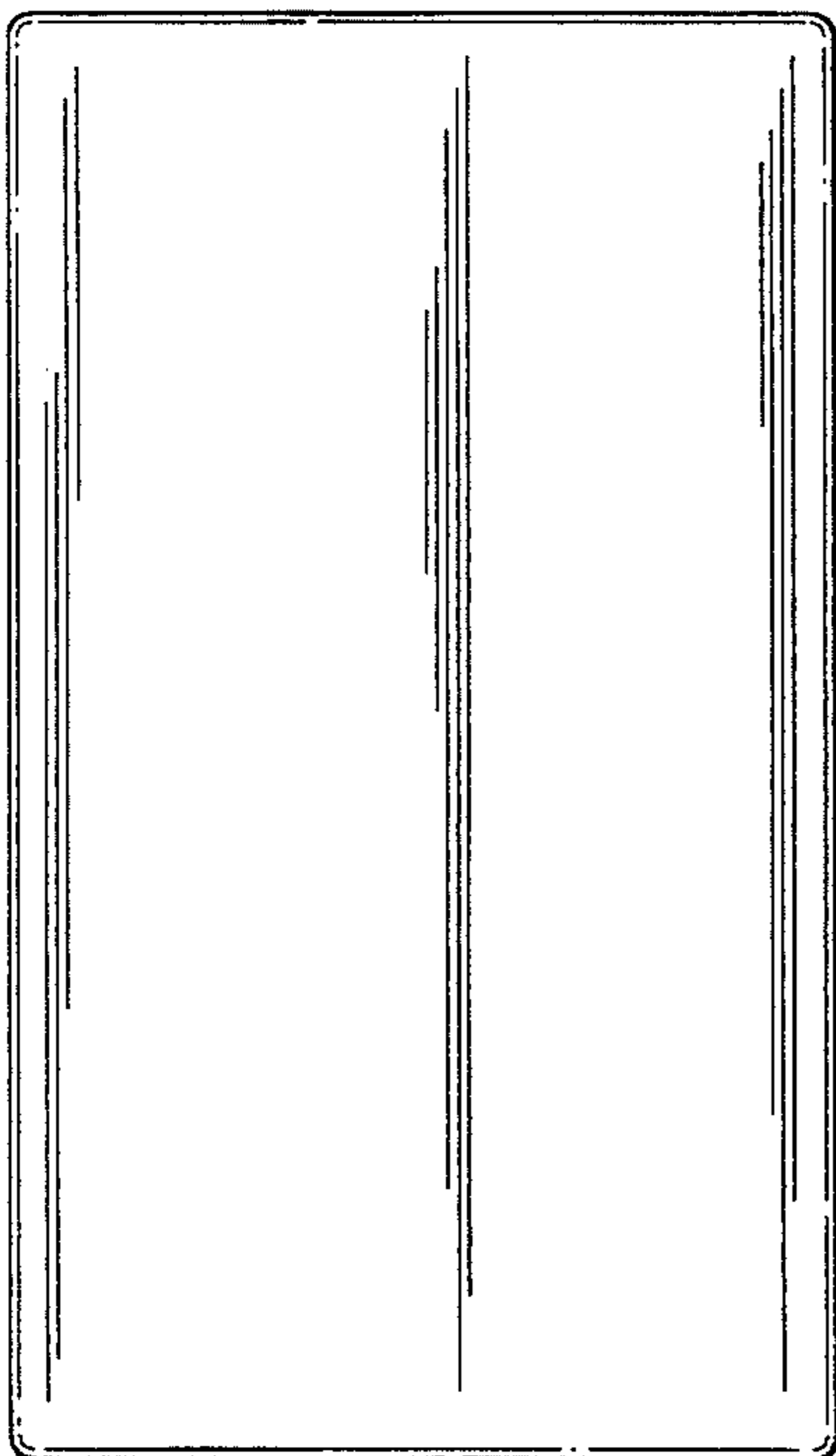


FIG-6

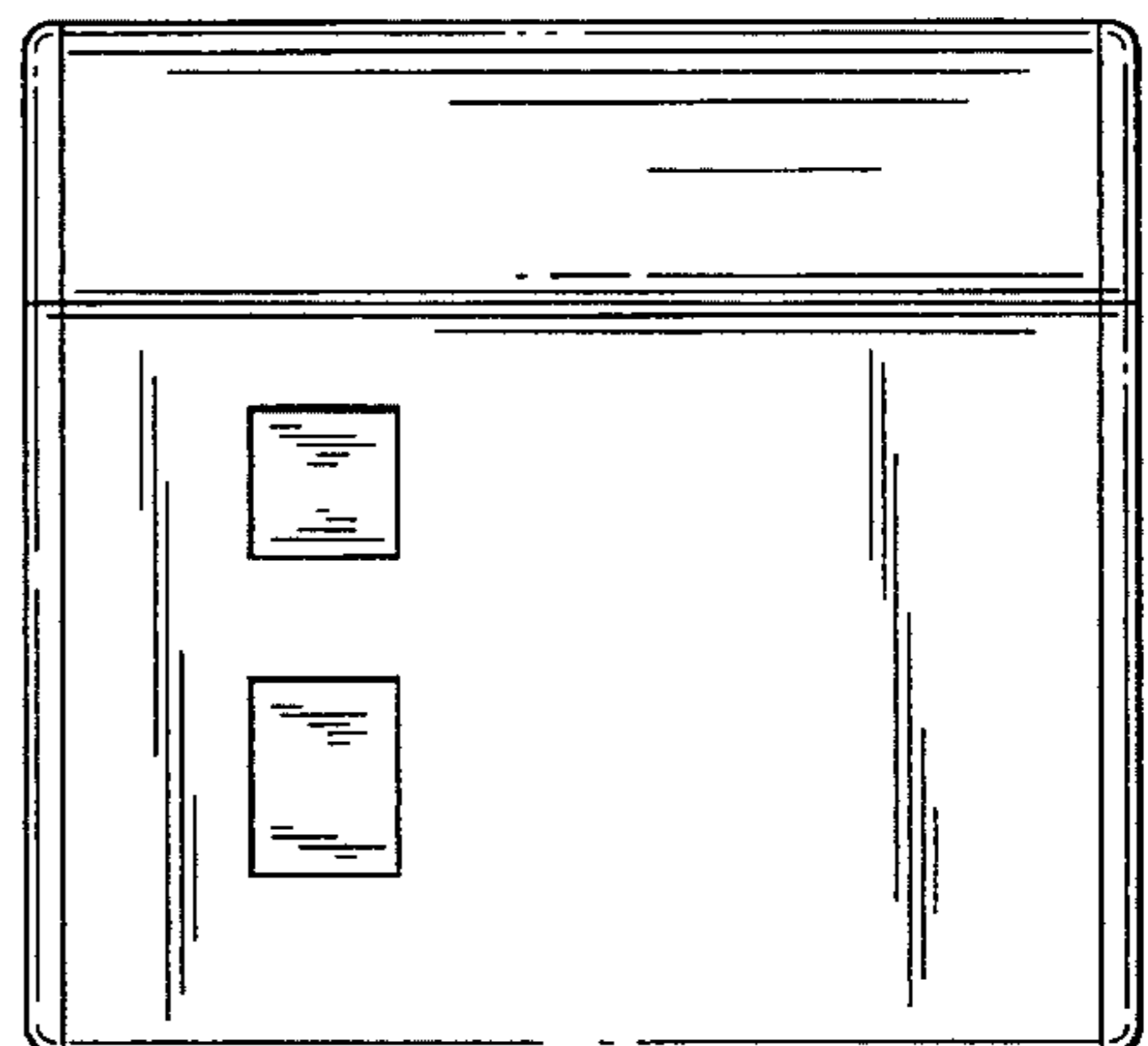


FIG-5

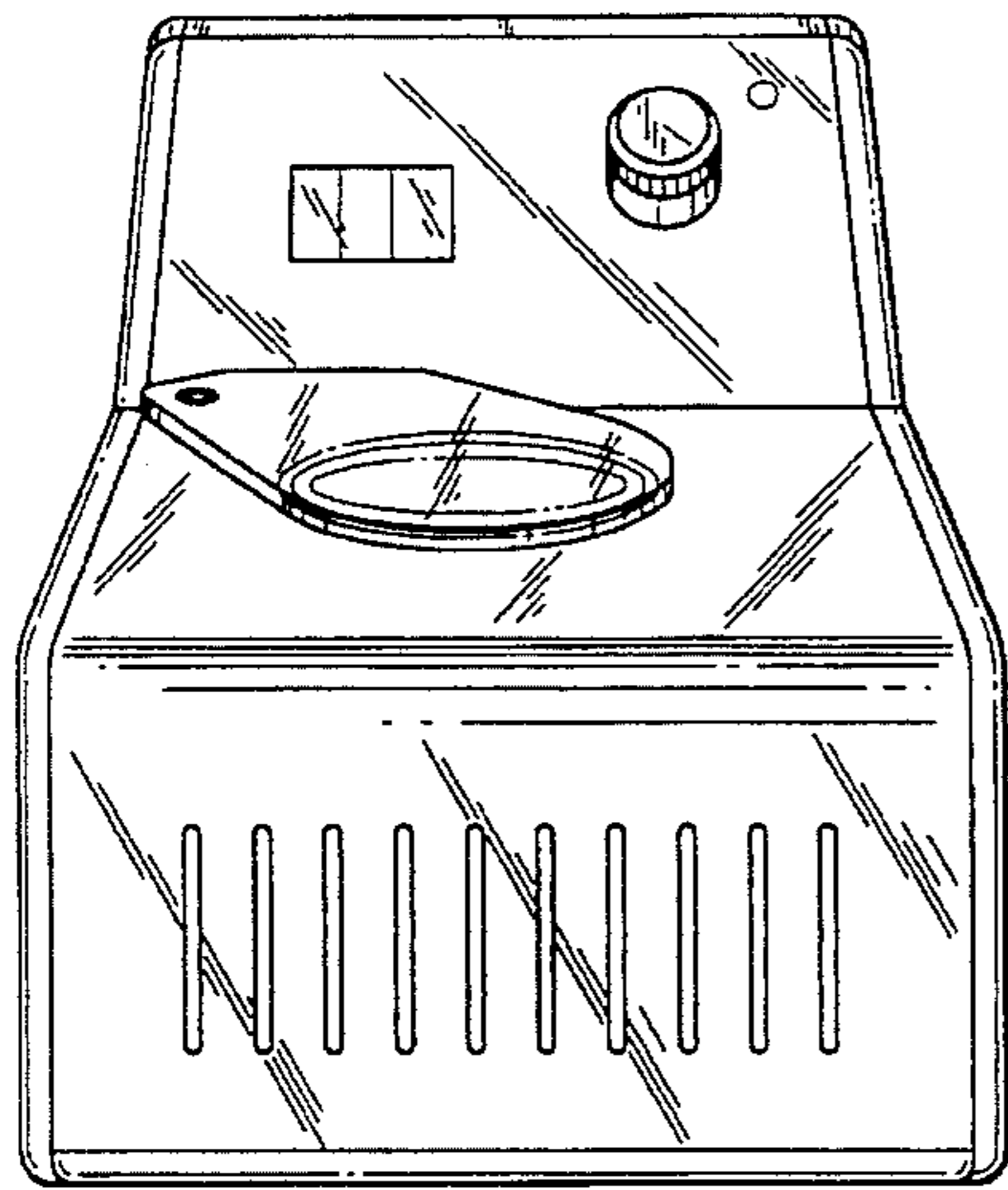


FIG-8

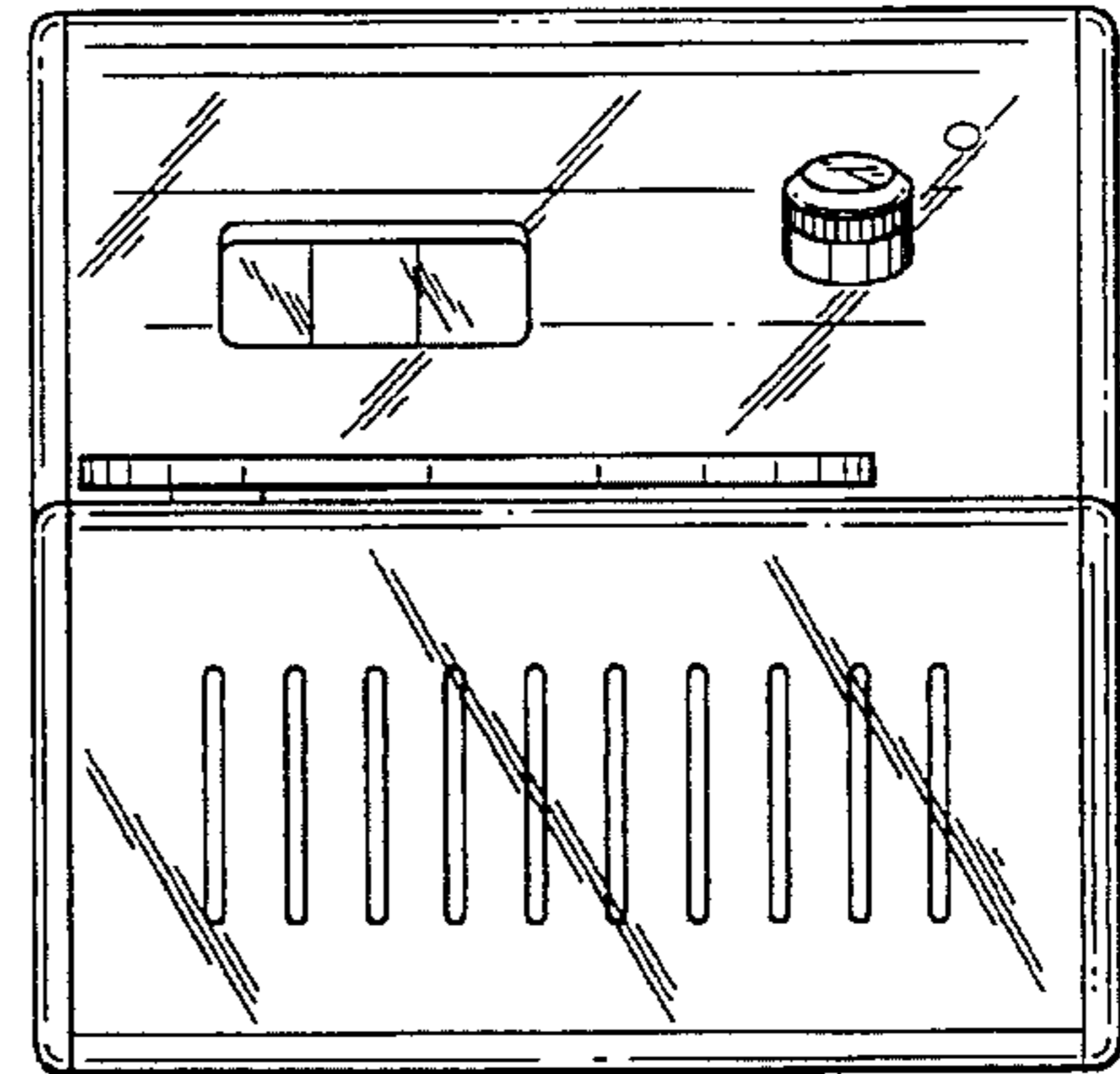


FIG-9

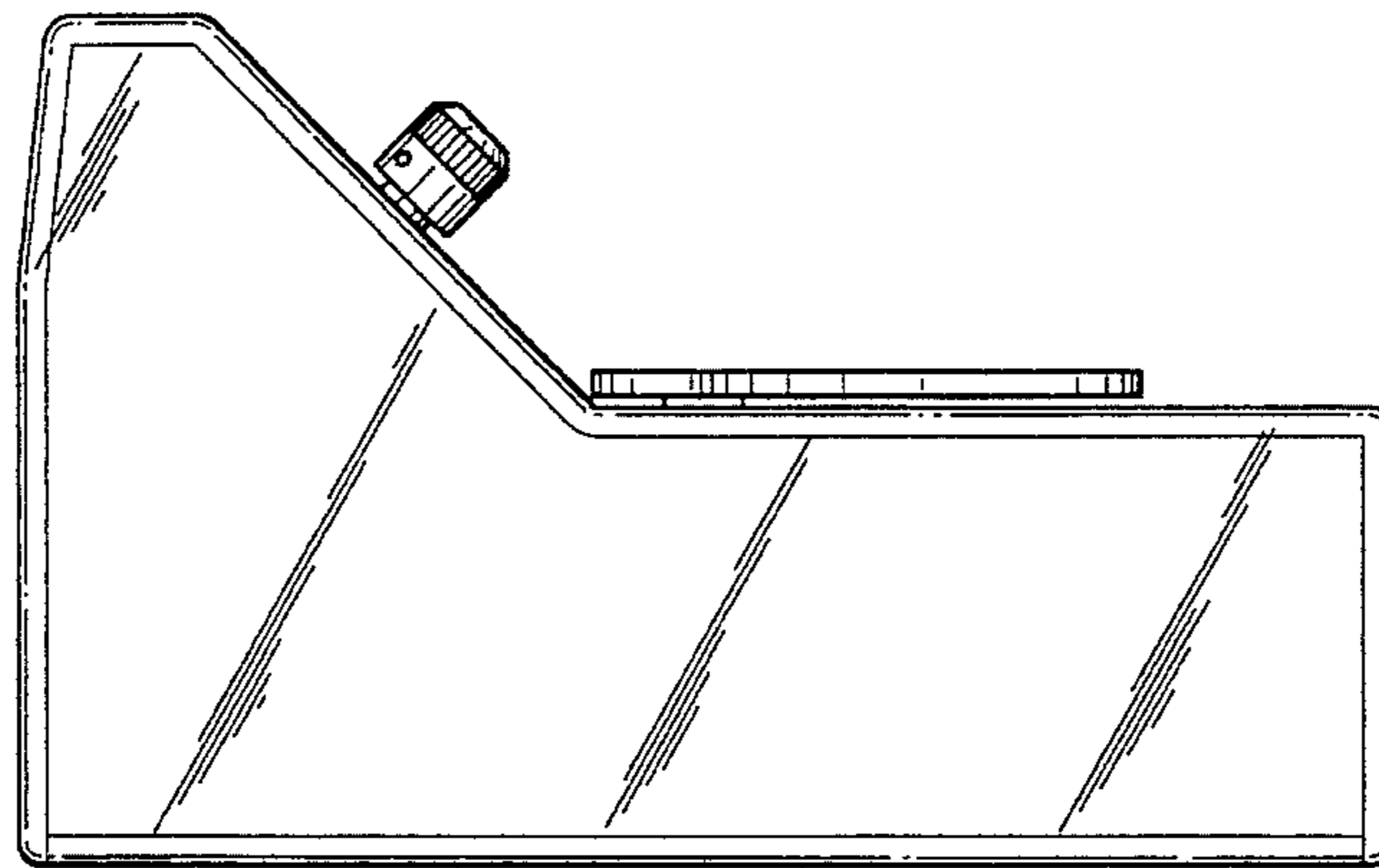


FIG-10

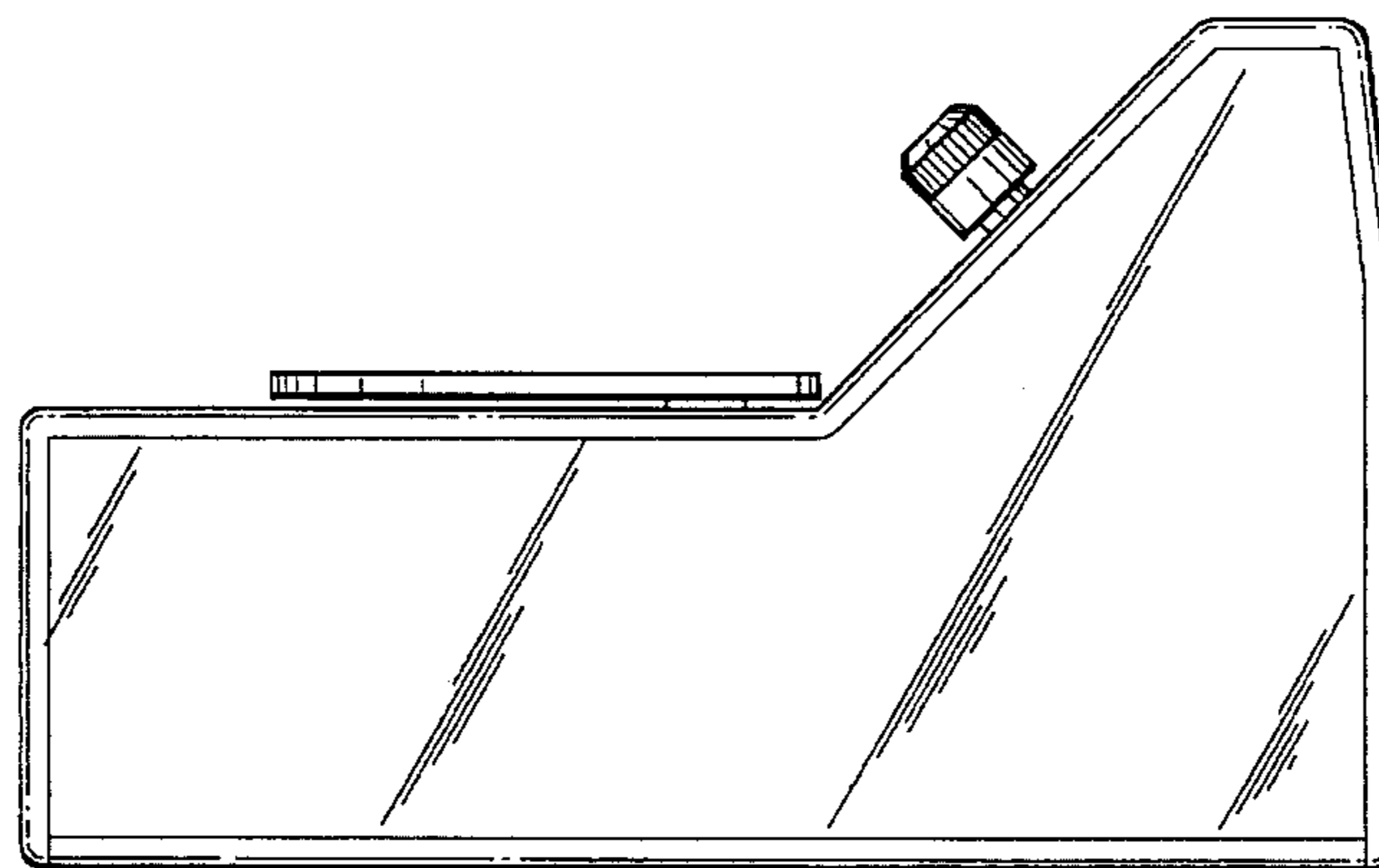


FIG-11

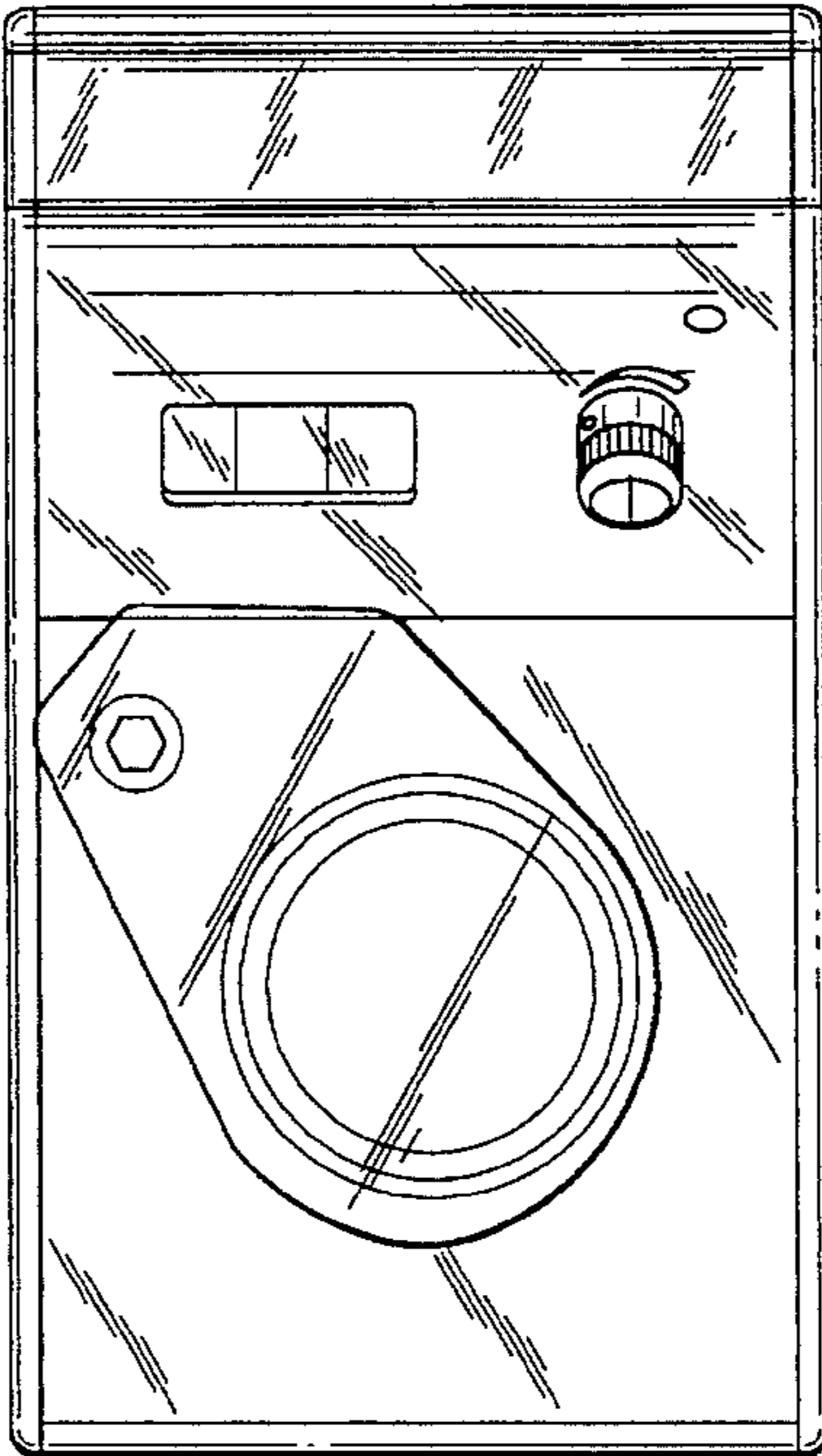


FIG-14

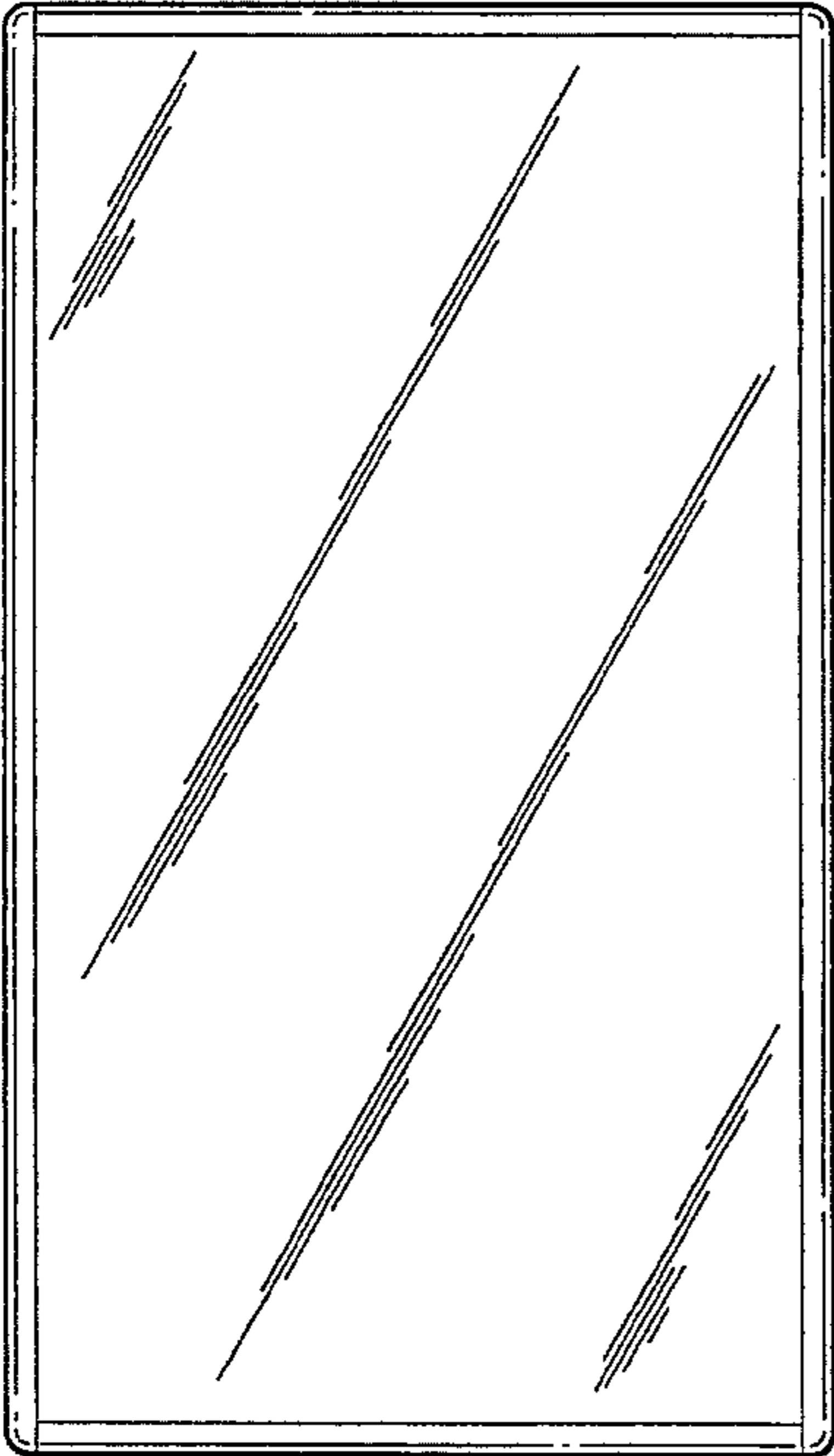


FIG-13

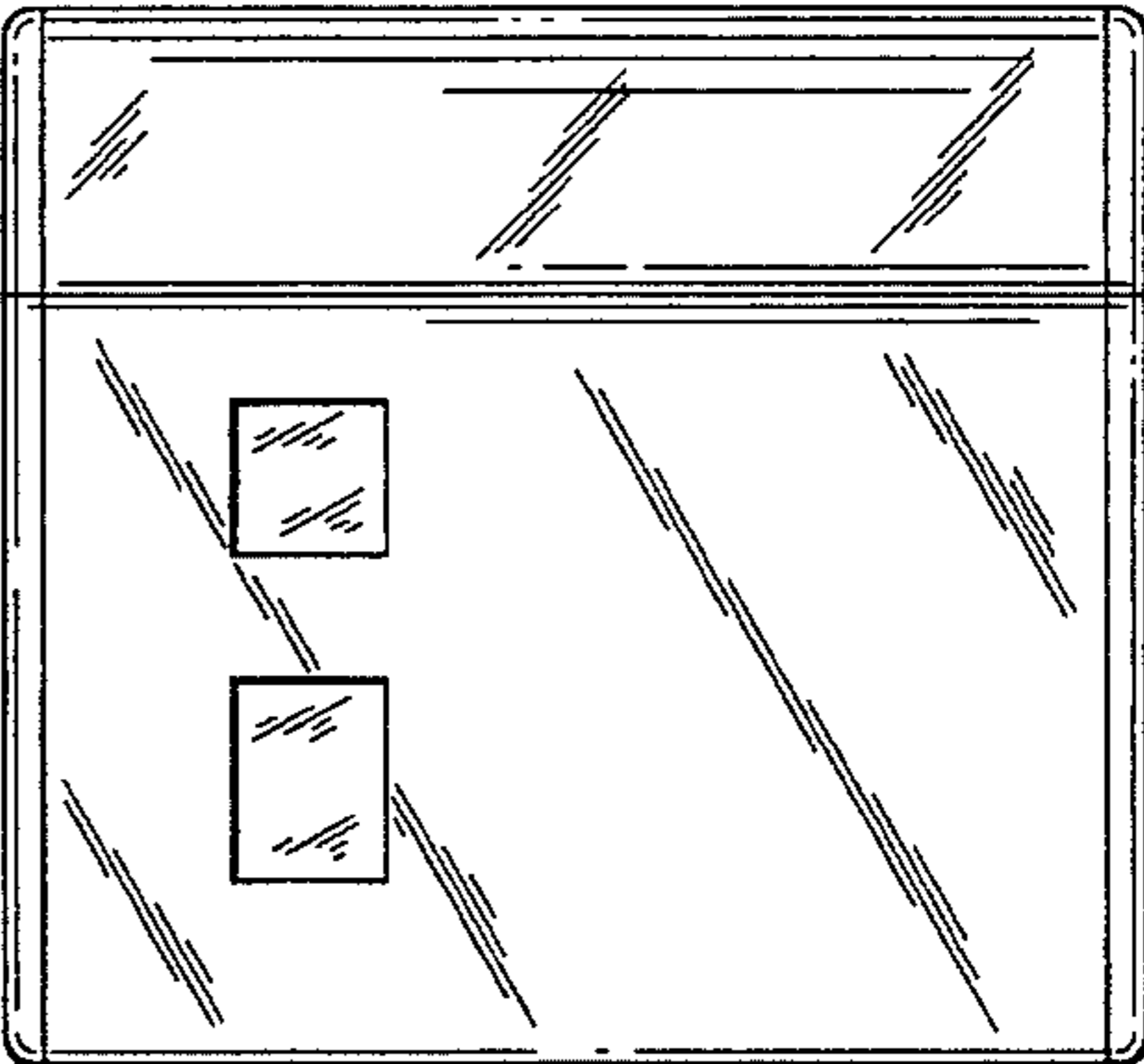


FIG-12