



US00D366111S

United States Patent [19]
DiPasquale

[11] **Patent Number: Des. 366,111**
[45] **Date of Patent: **Jan. 9, 1996**

[54] **COMBINED CEILING FAN MOUNTING CANOPY, MOTOR AND SWITCH HOUSING AND BLADE IRONS UNIT**

D. 345,205	3/1994	DiPasquale	D23/411
D. 345,206	3/1994	DiPasquale	D23/411
D. 346,651	5/1994	DiPasquale	D23/377
D. 346,859	5/1994	DiPasquale	D23/411
D. 347,685	6/1994	DiPasquale	D23/411
D. 352,997	11/1994	DiPasquale	D23/411

[75] Inventor: **Charles J. DiPasquale**, Carrollton, Tex.

Primary Examiner—Lisa P. Lichtenstein
Attorney, Agent, or Firm—Dennis T. Griggs

[73] Assignee: **Smartel, Inc.**, Carrollton, Tex.

[**] Term: **14 Years**

[57] **CLAIM**

[21] Appl. No.: **34,113**

The ornamental design for a combined ceiling fan mounting canopy, motor and switch housing and blade irons unit, as shown and described.

[22] Filed: **Jan. 27, 1995**

[52] U.S. Cl. **D23/411; D23/377; D23/379; D23/385**

DESCRIPTION

[58] **Field of Search** D23/377, 379, D23/385, 411; 416/5; 392/364; 362/96; D26/81-86, 88, 59, 51, 72

FIG. 1 is a perspective view of a combined ceiling fan mounting canopy, motor and switch housing and blade irons unit showing my new design, the broken lines showing fan blades being for illustrative purposes only and forming no part of the claimed design;

[56] **References Cited**

U.S. PATENT DOCUMENTS

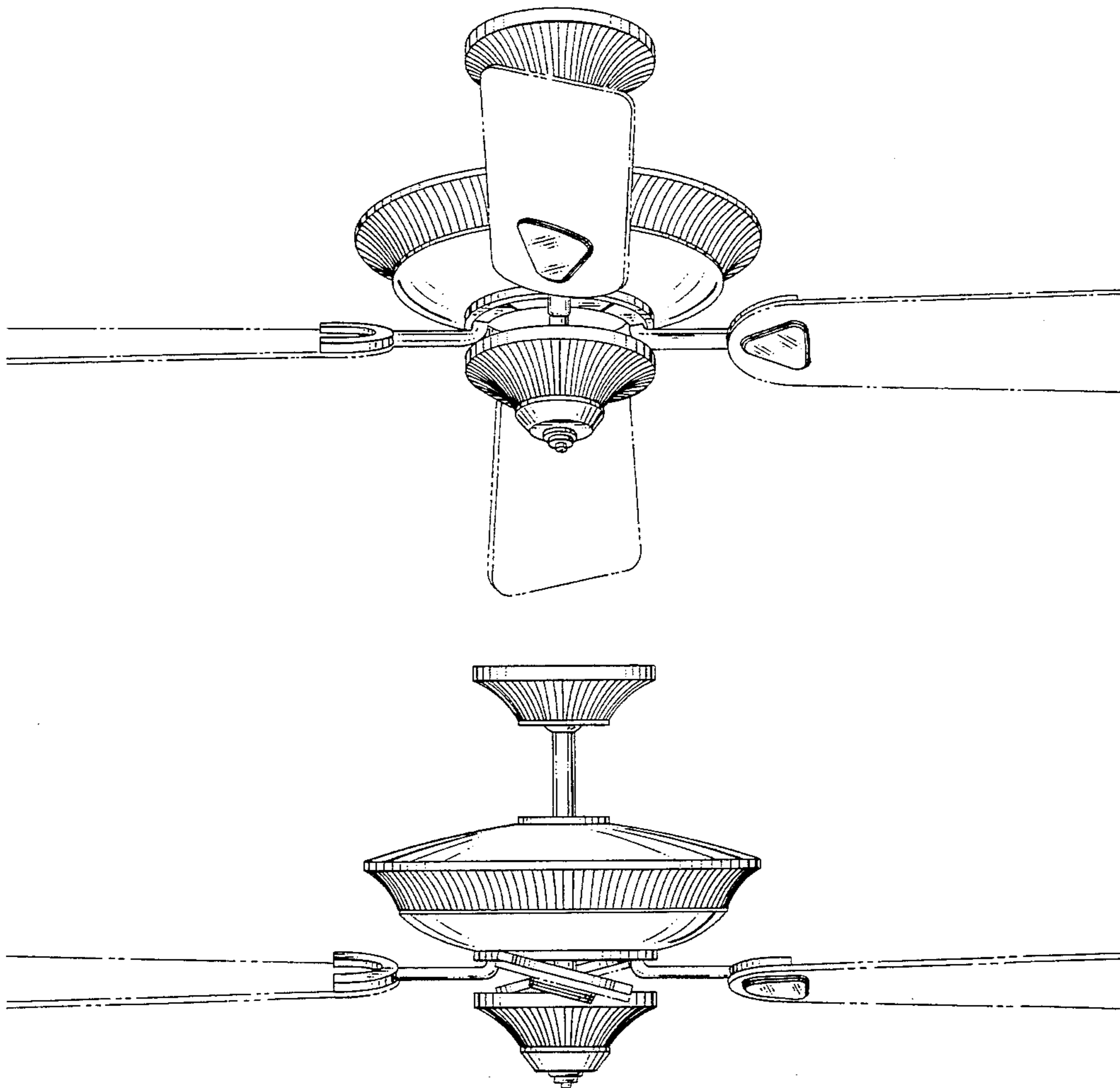
D. 297,360	8/1988	Cheslock	D23/385
D. 312,305	11/1990	Weatherford	D23/377
D. 312,689	12/1990	Weatherford	D23/377
D. 328,638	8/1992	Hsieh	D23/377
D. 329,494	9/1992	Holbrook	D23/377

FIG. 2 is a side elevational view thereof, the opposite and adjacent sides being mirror images of that shown;

FIG. 3 is a top plan view thereof; and,

FIG. 4 is a bottom plan view thereof.

1 Claim, 3 Drawing Sheets



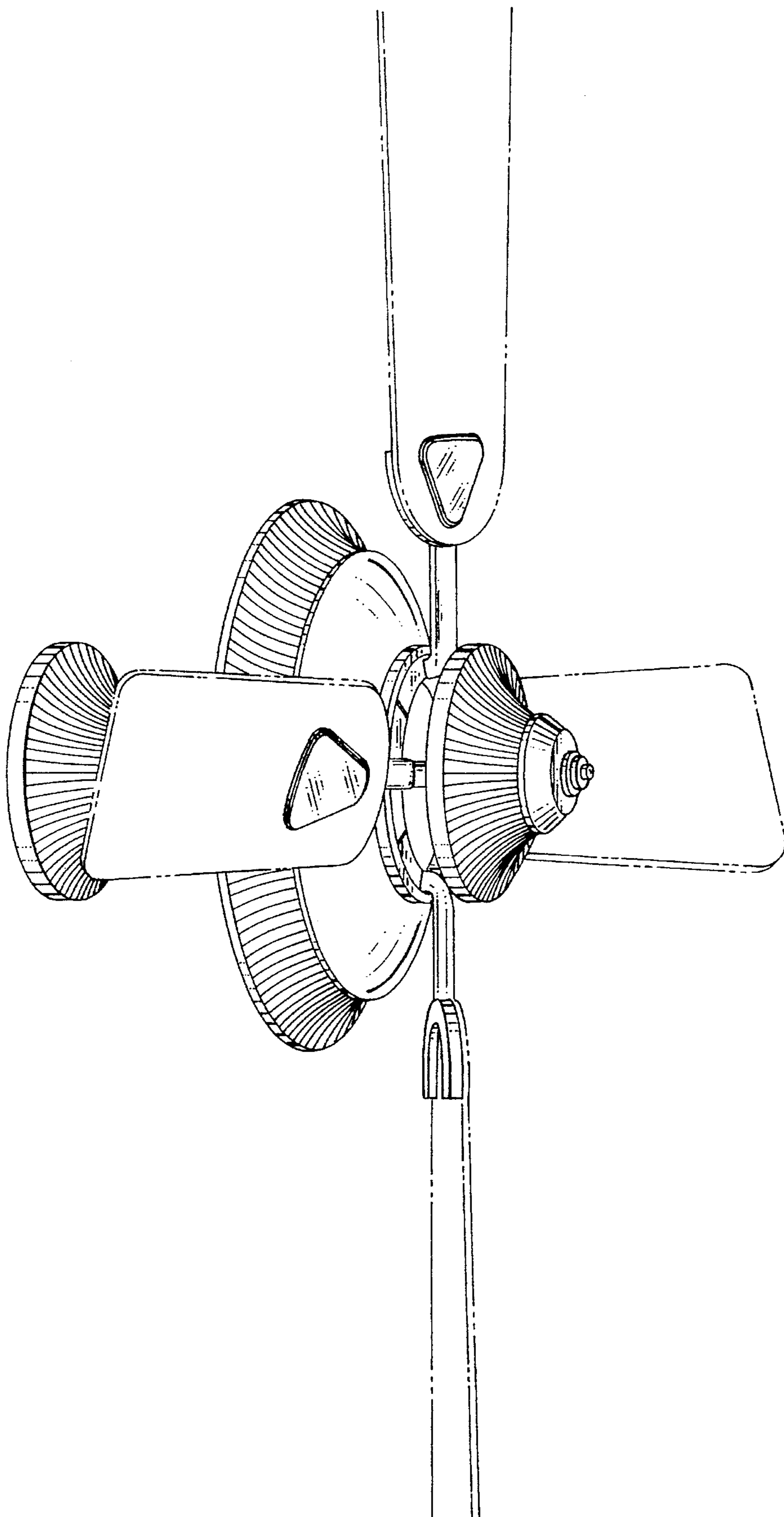


FIG. 1

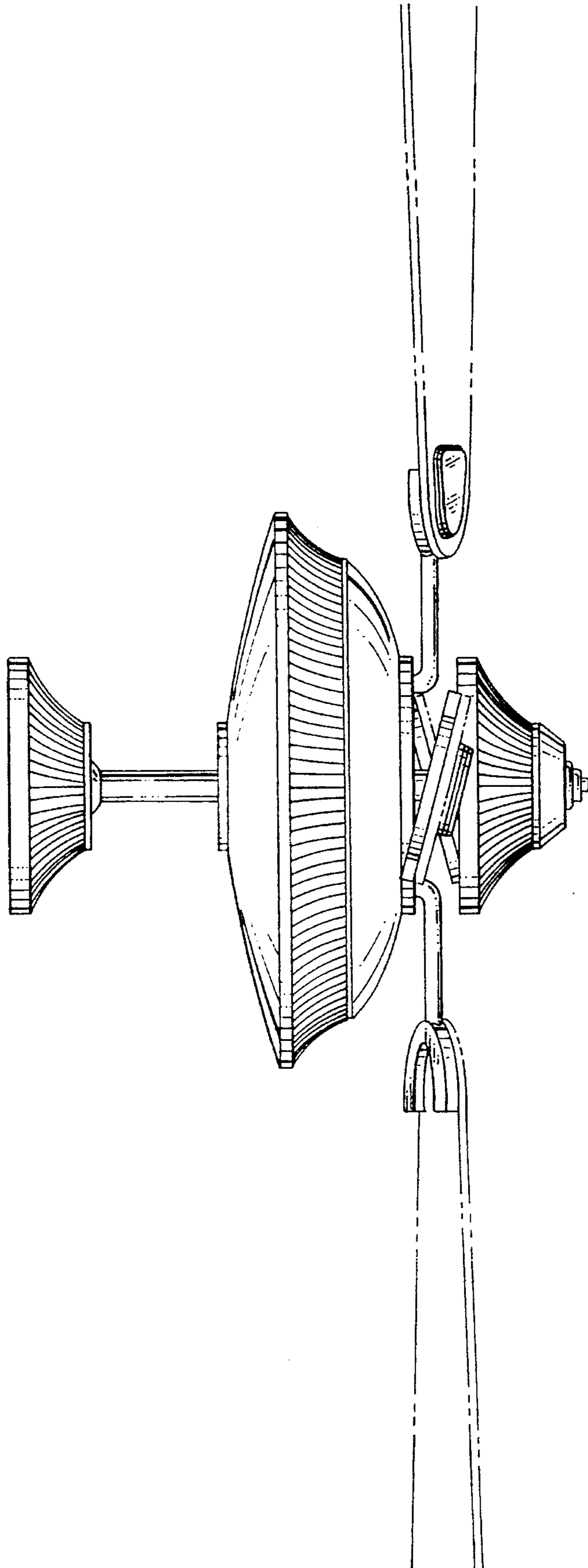


FIG. 2

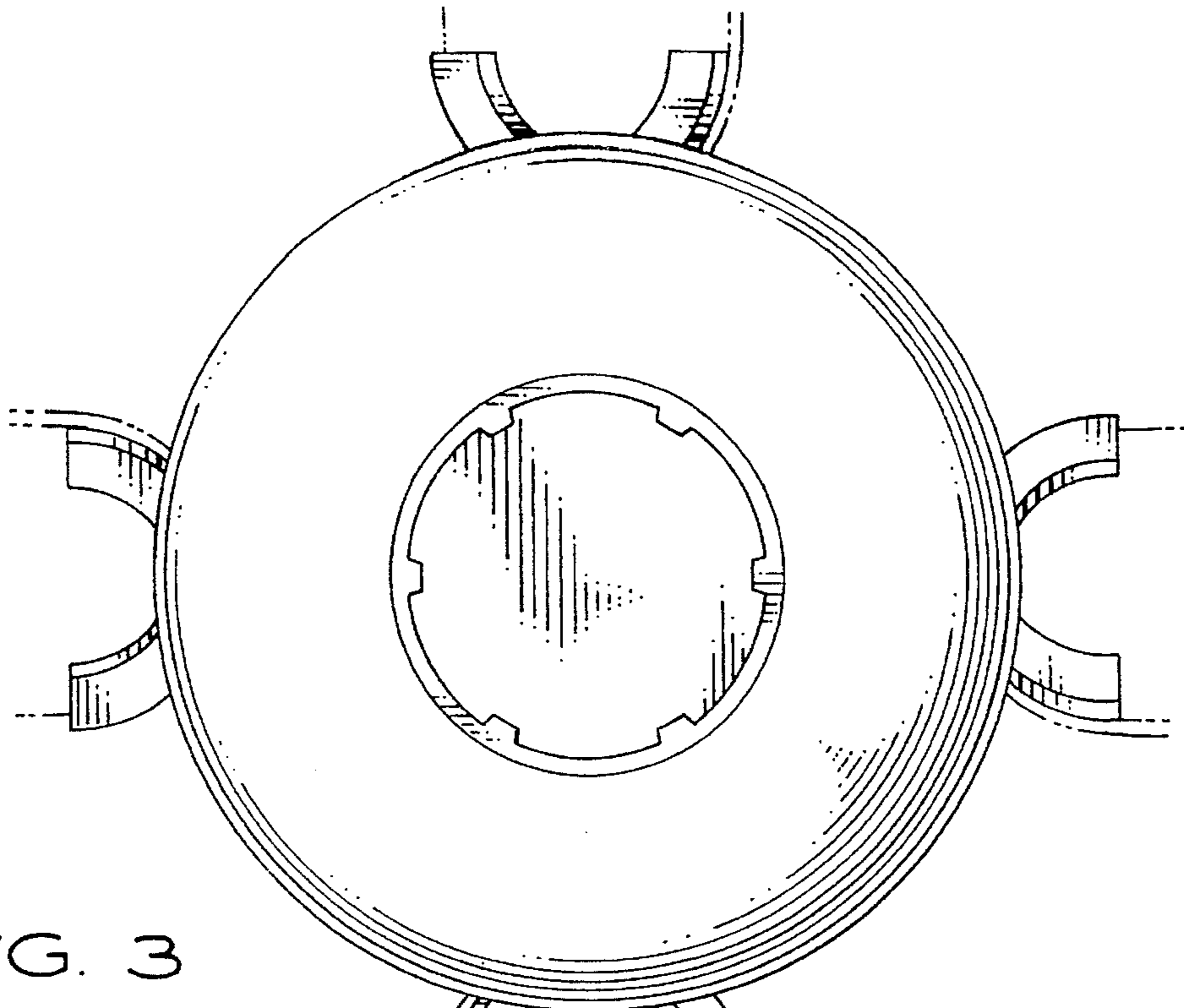


FIG. 3

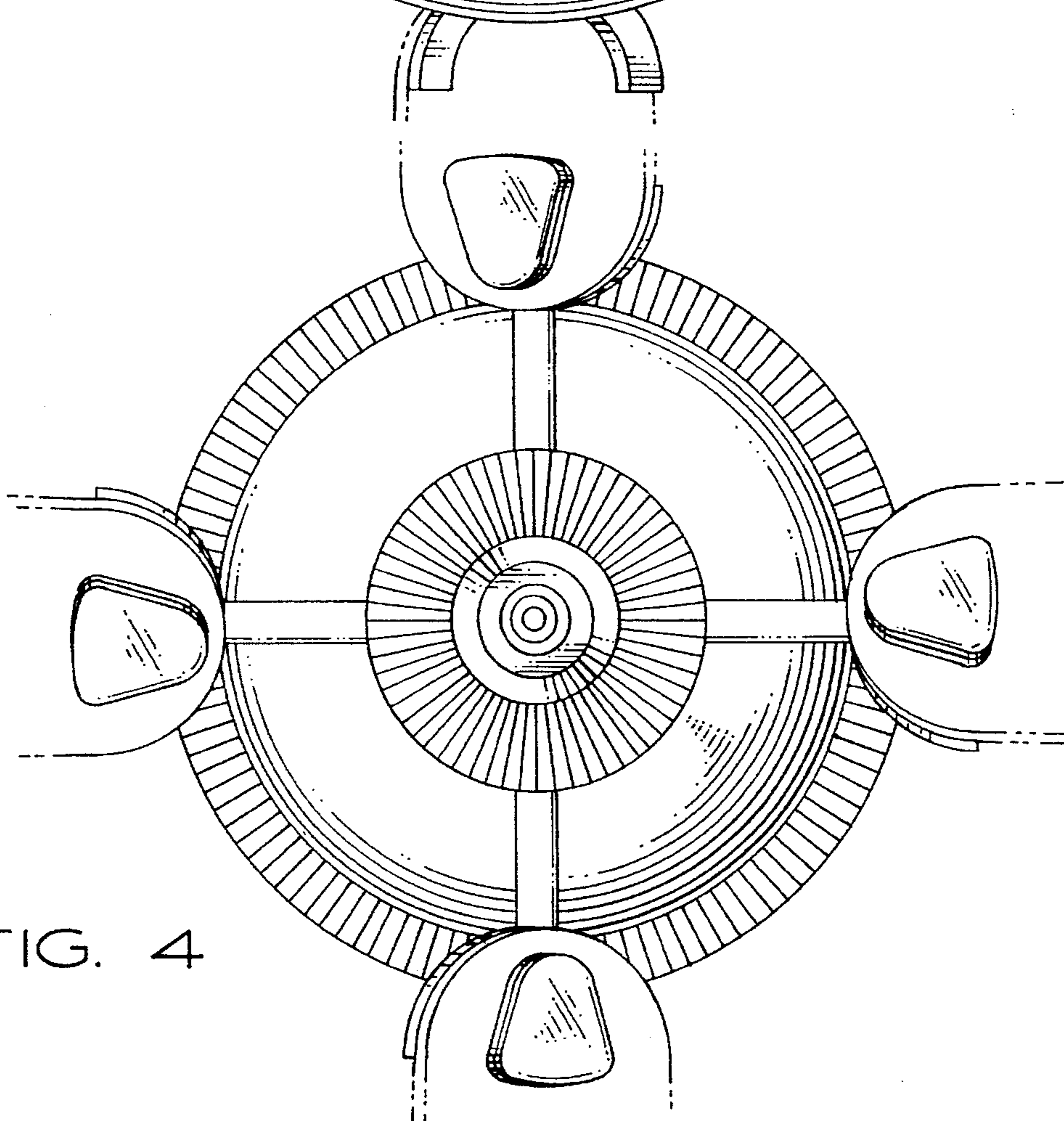


FIG. 4