



US00D366105S

United States Patent [19]

[11] Patent Number: **Des. 366,105**

Thompson et al.

[45] Date of Patent: ****Jan. 9, 1996**

[54] **FRONT PANEL FOR A ROOM AIR CONDITIONER**

[75] Inventors: **Christopher M. Thompson**, Nashville;
Brian J. Phillips, Smyrna, both of
Tenn.

[73] Assignee: **Whirlpool Corporation**, Benton
Harbor, Mich.

[**] Term: **14 Years**

D. 309,179 7/1990 Choi D23/353
 D. 310,261 8/1990 Choi D23/353
 D. 310,410 9/1990 Lapychak et al. D23/354
 D. 318,911 8/1991 Tobin, Sr. et al. D23/354
 5,081,849 1/1992 Thompson et al. 62/262

Primary Examiner—Lisa P. Lichtenstein
Attorney, Agent, or Firm—Thomas J. Roth

[57] CLAIM

The ornamental design for a front panel for a room air conditioner, as shown.

DESCRIPTION

FIG. 1 is a frontal three-quarter perspective view of a front panel for a room air conditioner showing our new design, the broken line showing of the air conditioner cabinet being for illustrative purposes only and forming no part of the claimed design;

FIG. 2 is a front elevational view thereof;
 FIG. 3 is a top plan view thereof;
 FIG. 4 is a bottom plan view thereof;
 FIG. 5 is a right side elevational view thereof;
 FIG. 6 is a left side elevational view thereof; and,
 FIG. 7 is a rear elevational view of the front panel.

1 Claim, 3 Drawing Sheets

[21] Appl. No.: **7,404**

[22] Filed: **Apr. 22, 1993**

[52] U.S. Cl. **D23/354**; D23/351

[58] Field of Search D23/351, 333,
D23/353, 354; 454/201, 202, 203; 62/262

[56] References Cited

U.S. PATENT DOCUMENTS

D. 263,495	3/1982	Hoyle	D23/141
D. 277,309	1/1985	Yamamoto	D23/141
D. 284,305	6/1986	Lapychak et al.	D23/163
D. 300,459	3/1989	Hoyle	D23/354
D. 303,143	8/1989	Hoyle	D23/354

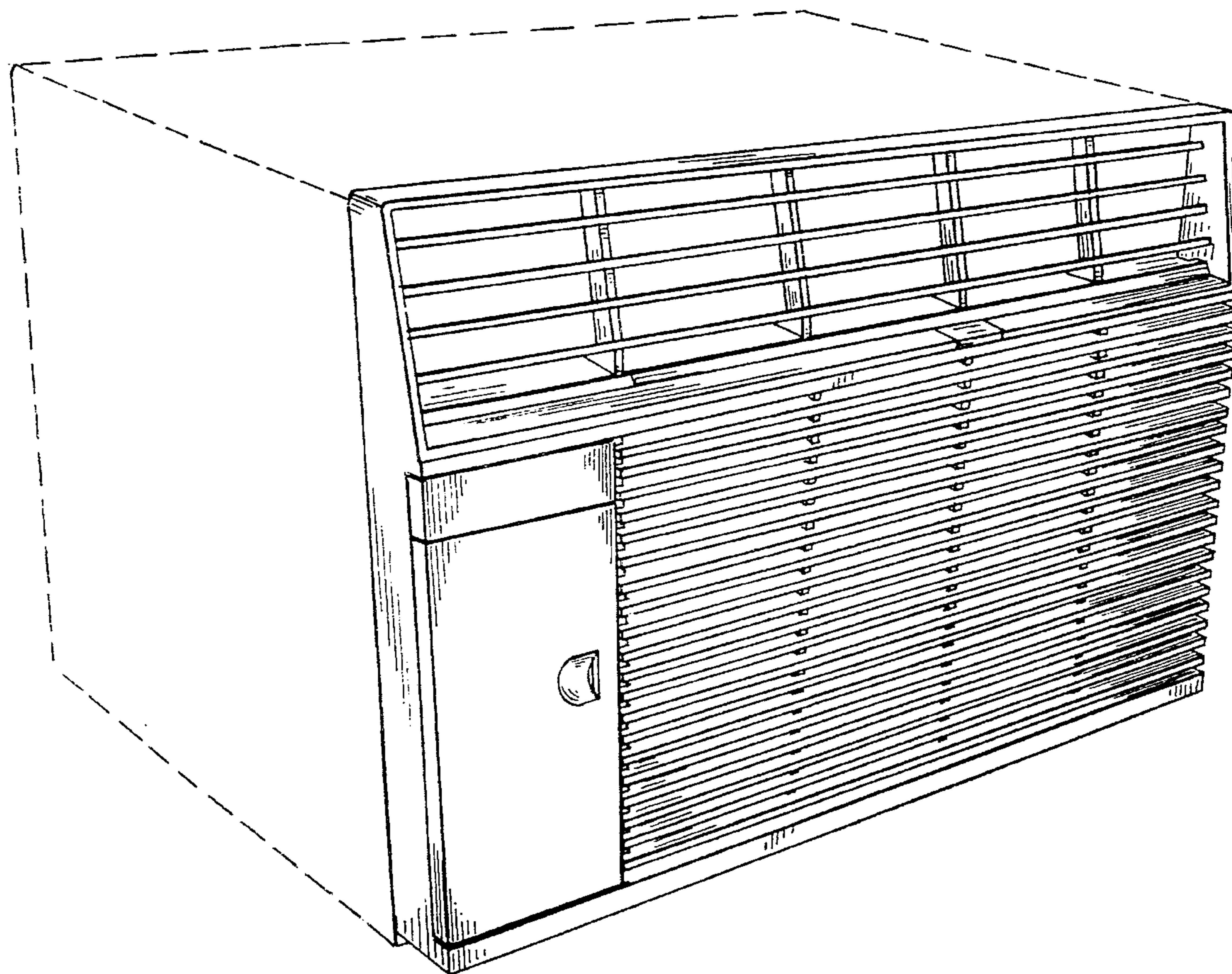


FIG. 1

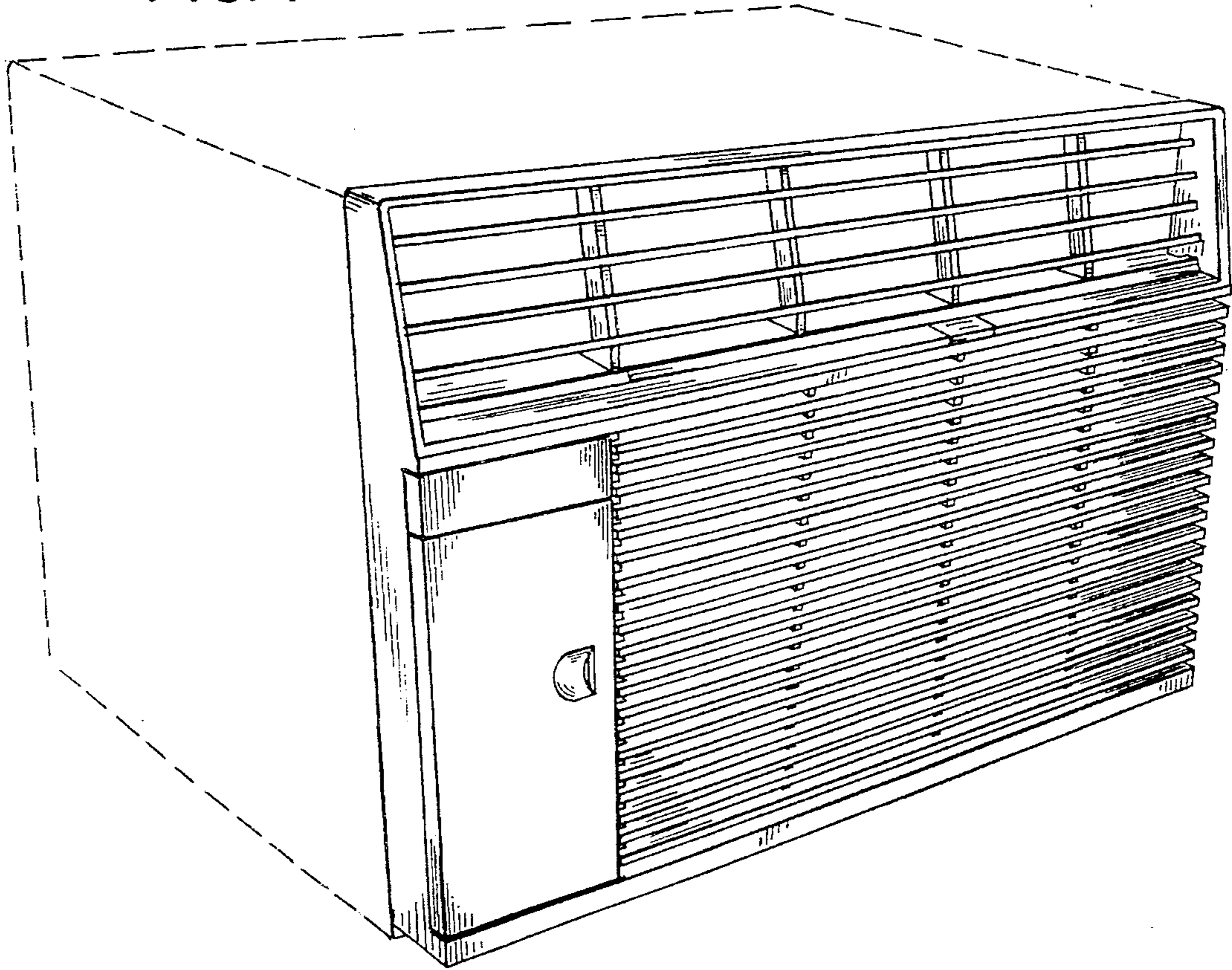


FIG. 2

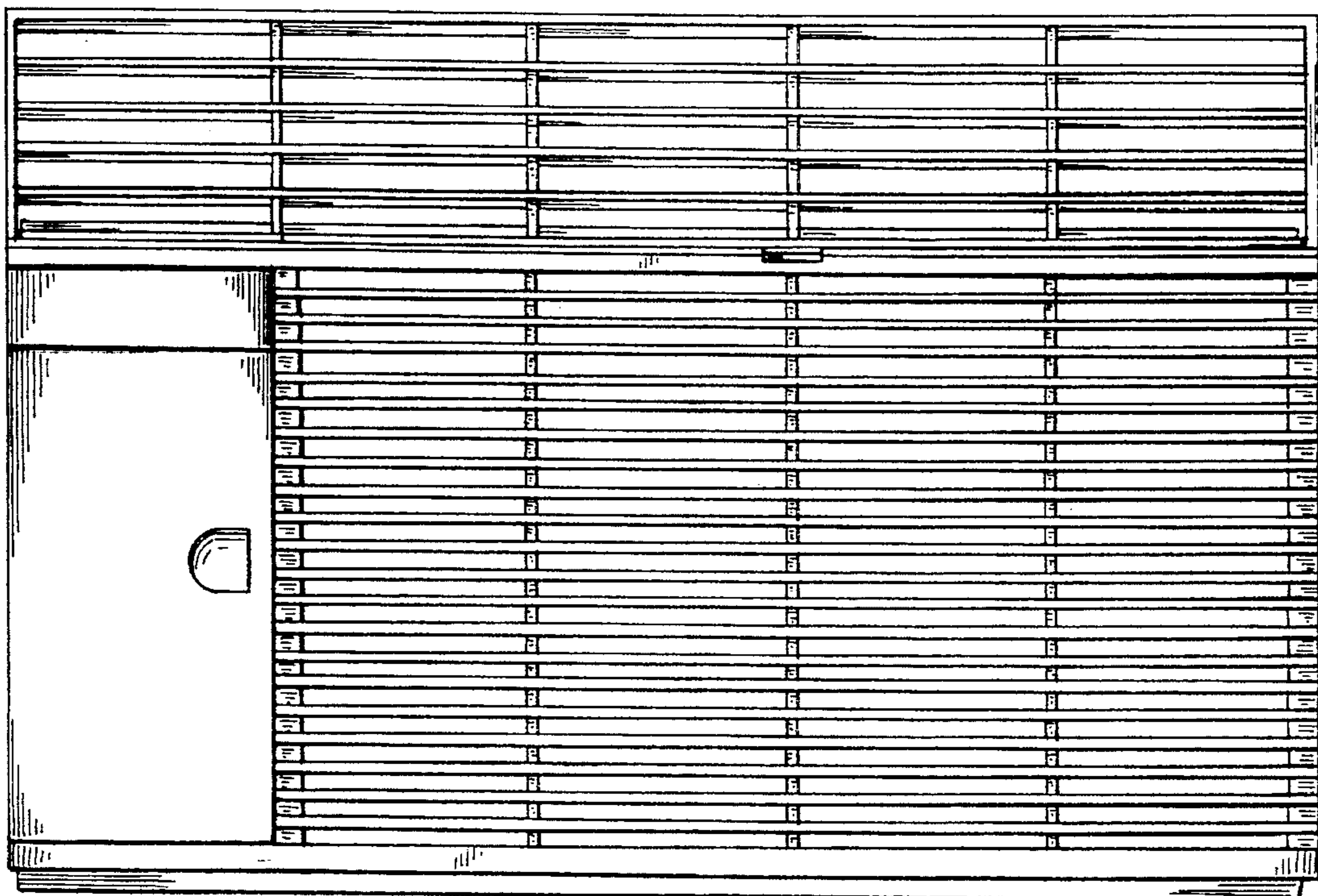


FIG. 3

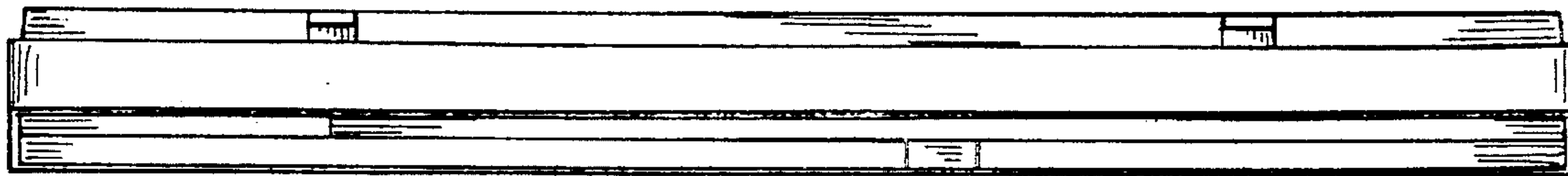


FIG. 4

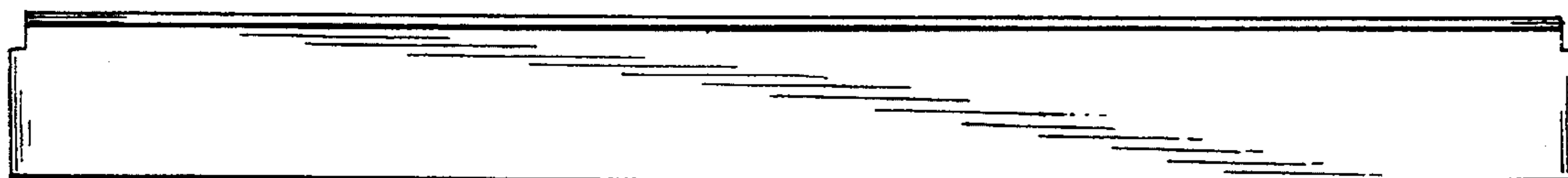


FIG. 5

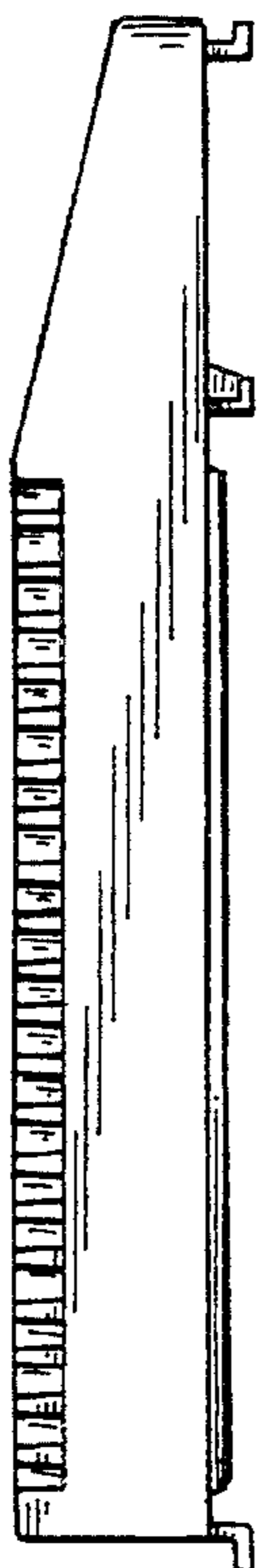


FIG. 6

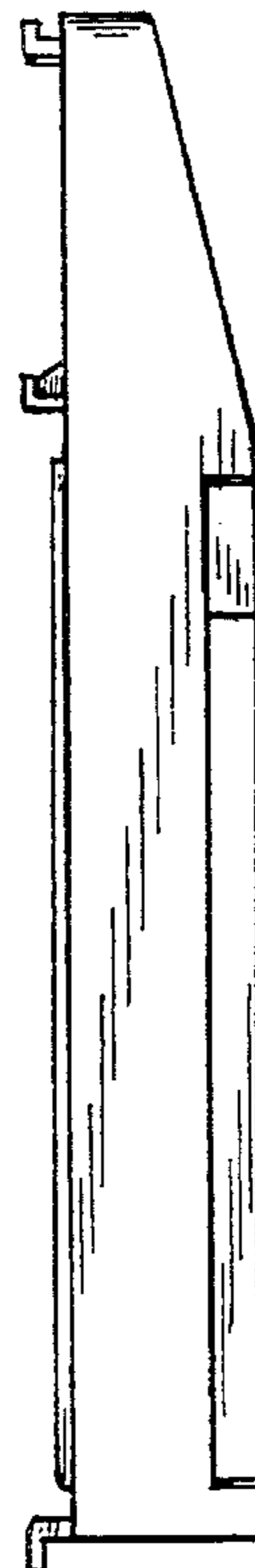


FIG. 7

