



US00D366103S

United States Patent [19]

Angustia et al.

[11] Patent Number: **Des. 366,103**

[45] Date of Patent: ****Jan. 9, 1996**

[54] **PORTABLE BIDET**

5,361,427 11/1994 Wilk 4/443 X

[76] Inventors: **Alberto G. Angustia; Kathleen T. Angustia**, both of 1804 Cherry La., Findlay, Ohio 45840

Primary Examiner—Stella Reid
Assistant Examiner—Eric Watterson
Attorney, Agent, or Firm—Harpman & Harpman

[**] Term: **14 Years**

[57] **CLAIM**

[21] Appl. No.: **31,569**

The ornamental design for a portable bidet, as shown and described.

[22] Filed: **Nov. 23, 1994**

DESCRIPTION

[52] U.S. Cl. **D23/295**

[58] Field of Search D23/295; 4/443, 4/445, 447, 448, 420.3, 420.4

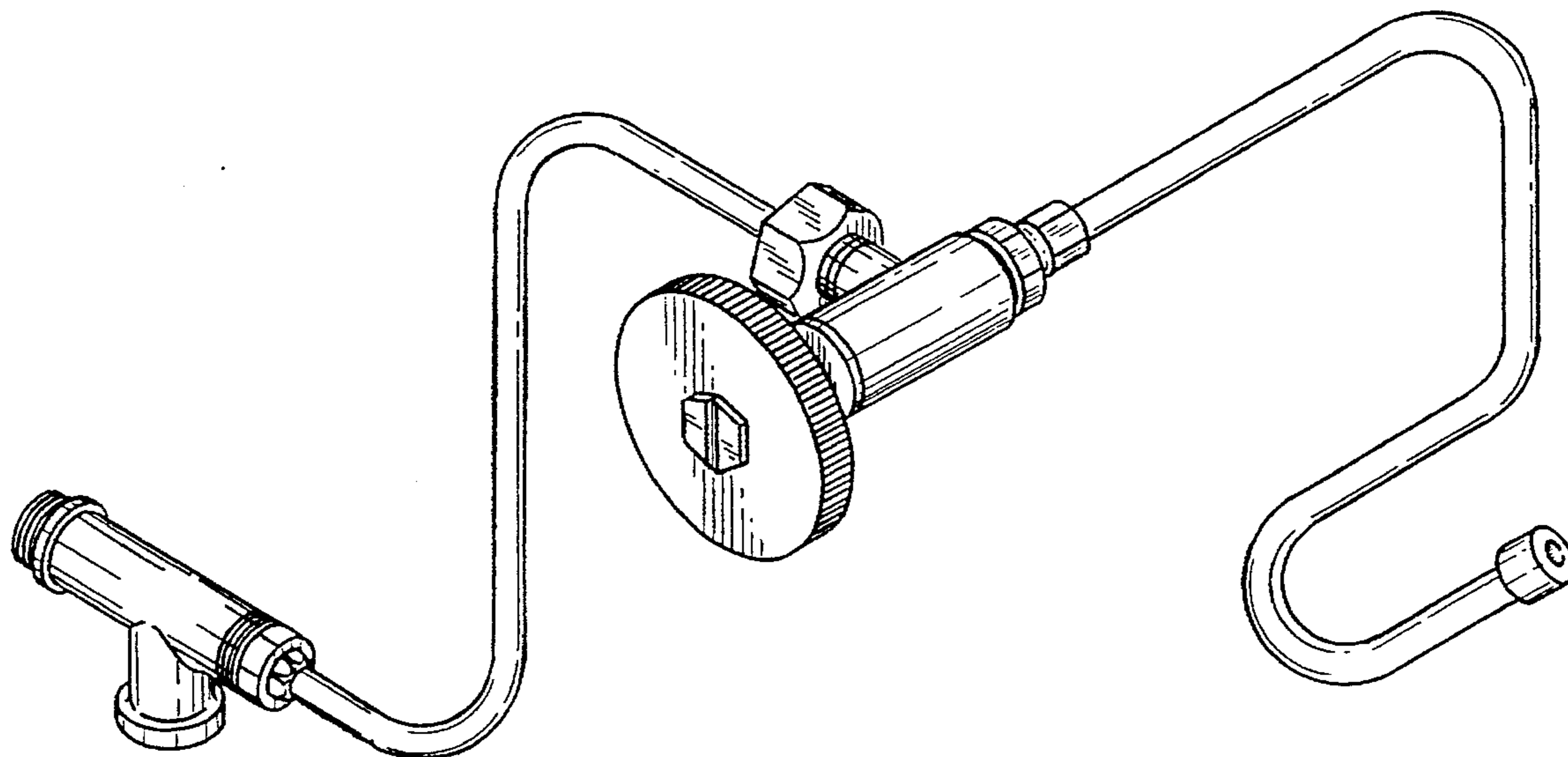
FIG. 1 is a front, top and side perspective view of a portable bidet embodying the design of the present invention; FIG. 2 is a front elevational view thereof; FIG. 3 is a rear elevational view thereof; FIG. 4 is a right side elevational view thereof; FIG. 5 is a left side elevational view thereof; FIG. 6 is a top plan view thereof; and, FIG. 7 is a bottom view thereof.

[56] **References Cited**

U.S. PATENT DOCUMENTS

2,826,761	3/1958	Lazarus et al.	4/447
4,092,744	6/1978	Butoi	4/447
4,205,402	6/1980	Miller	4/447 X
5,263,205	11/1993	Leunissen	4/447 X

1 Claim, 5 Drawing Sheets



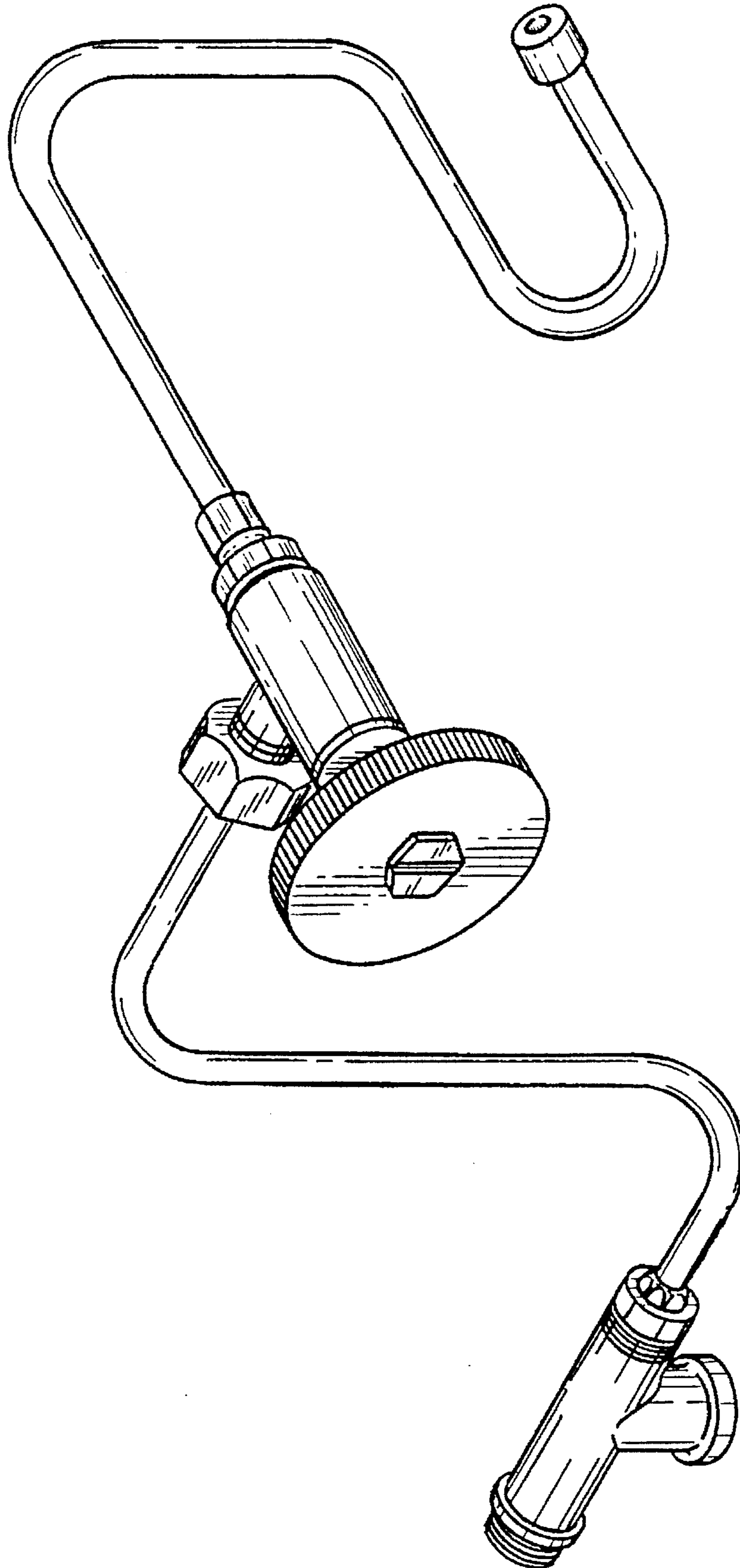


FIG. 1

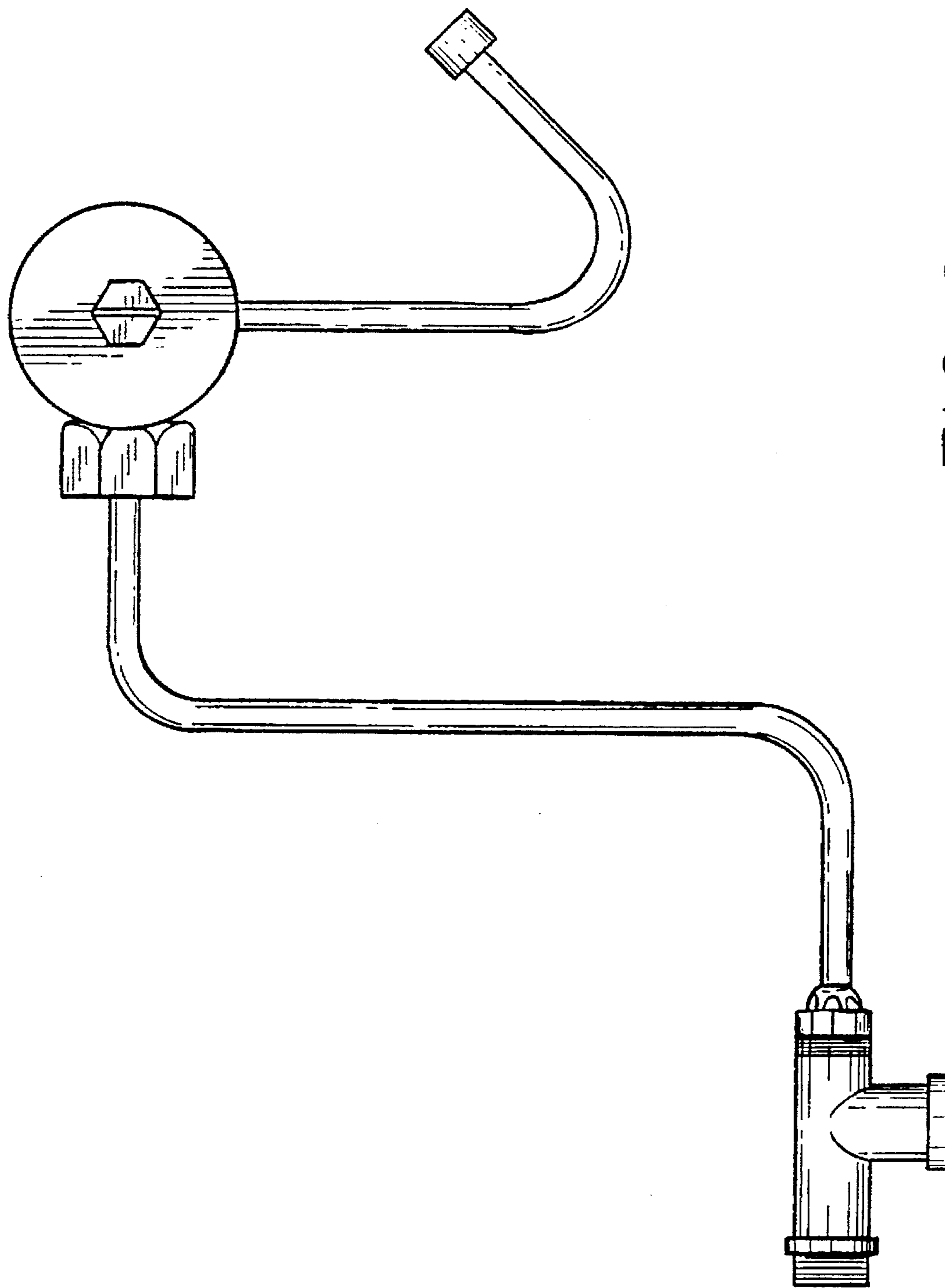


FIG. 2

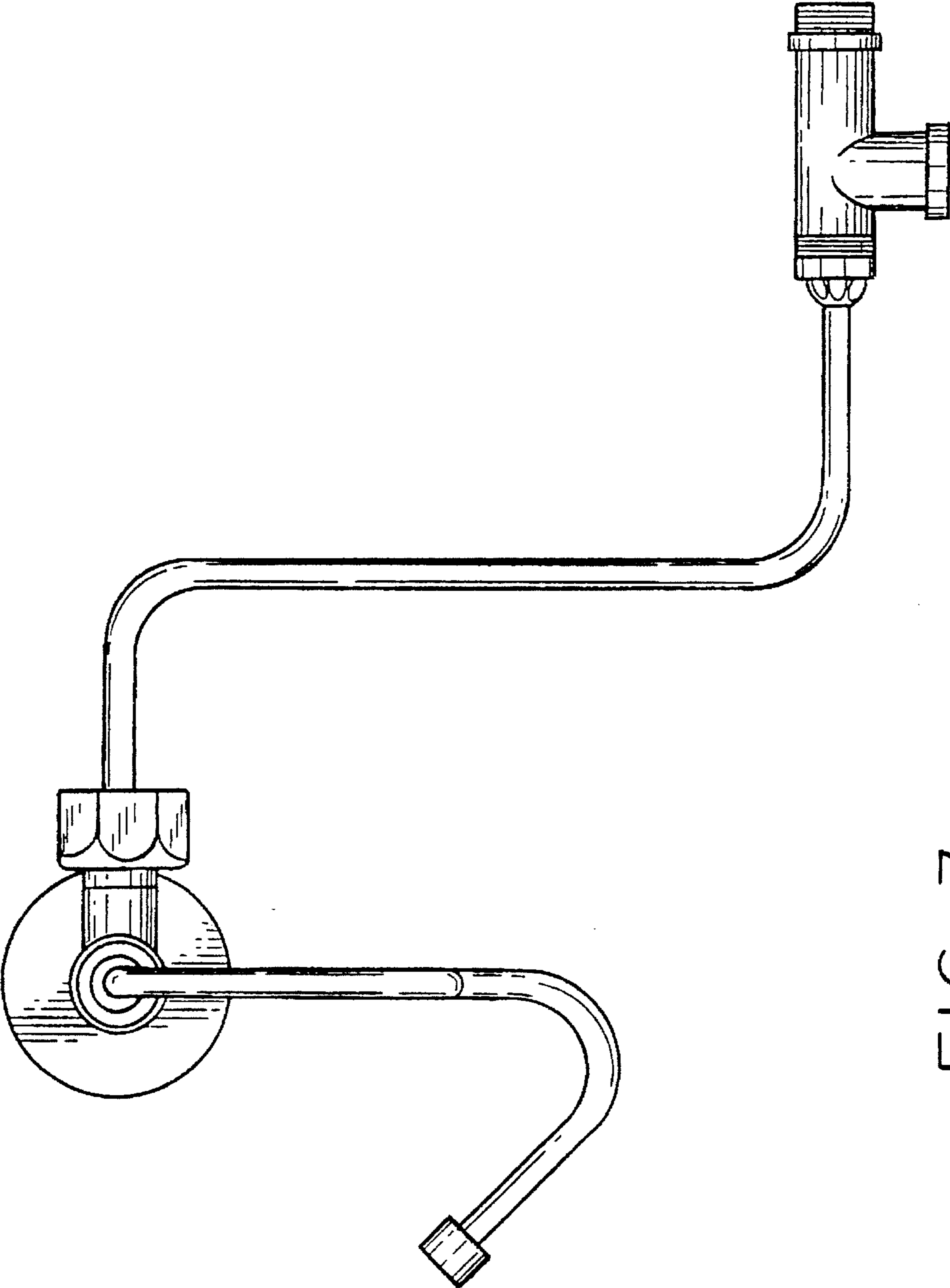


FIG. 3

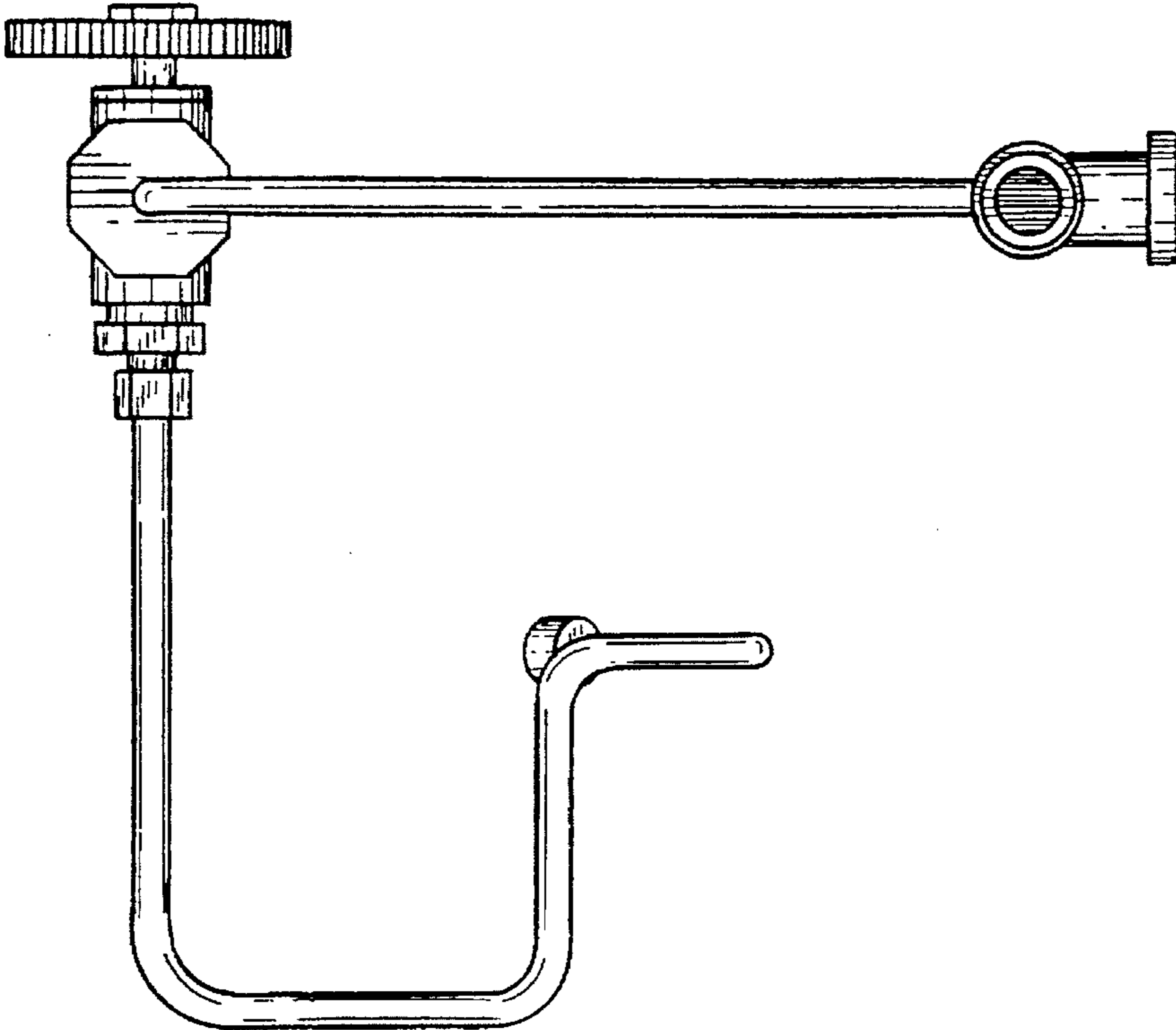


FIG. 5

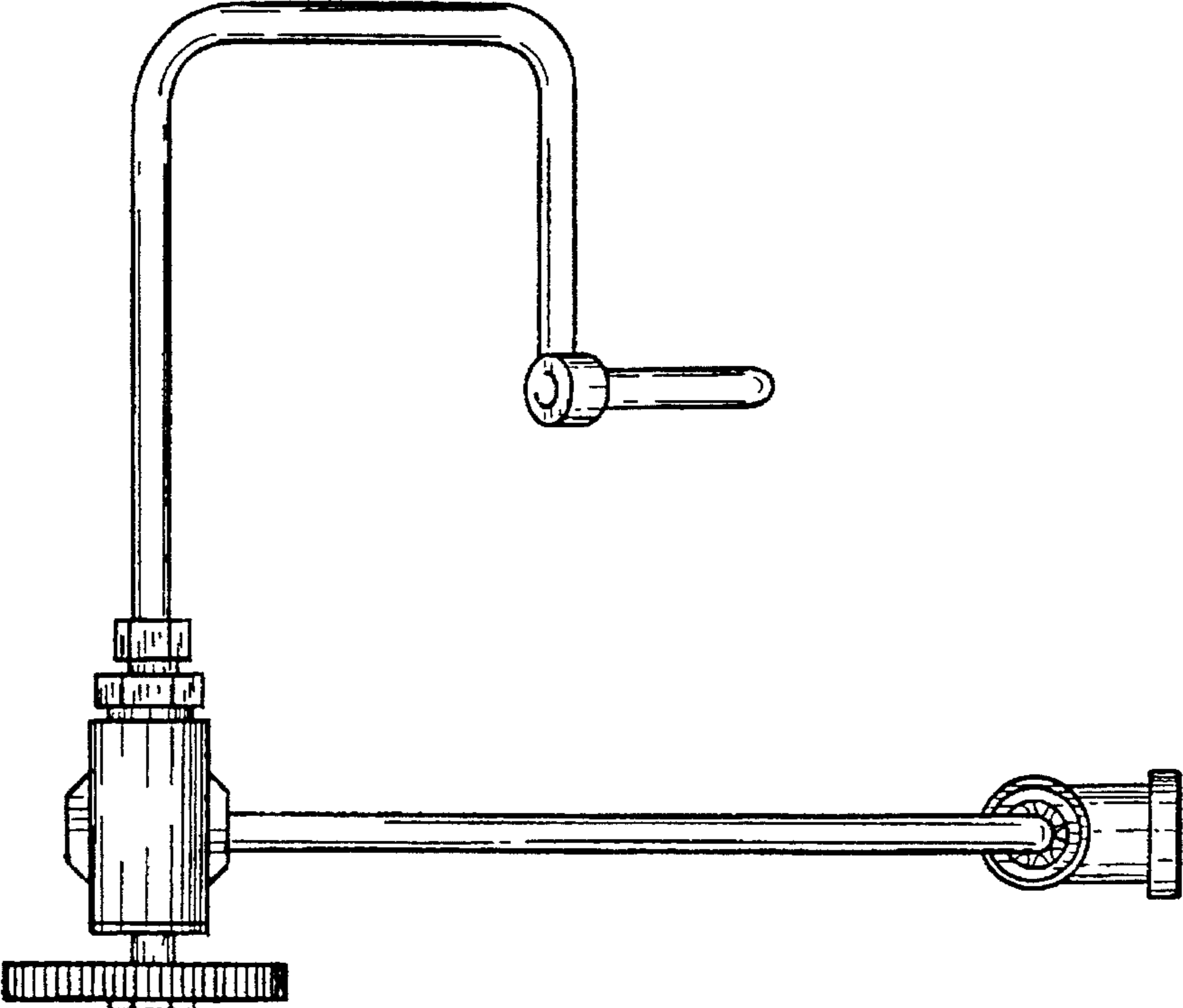


FIG. 4

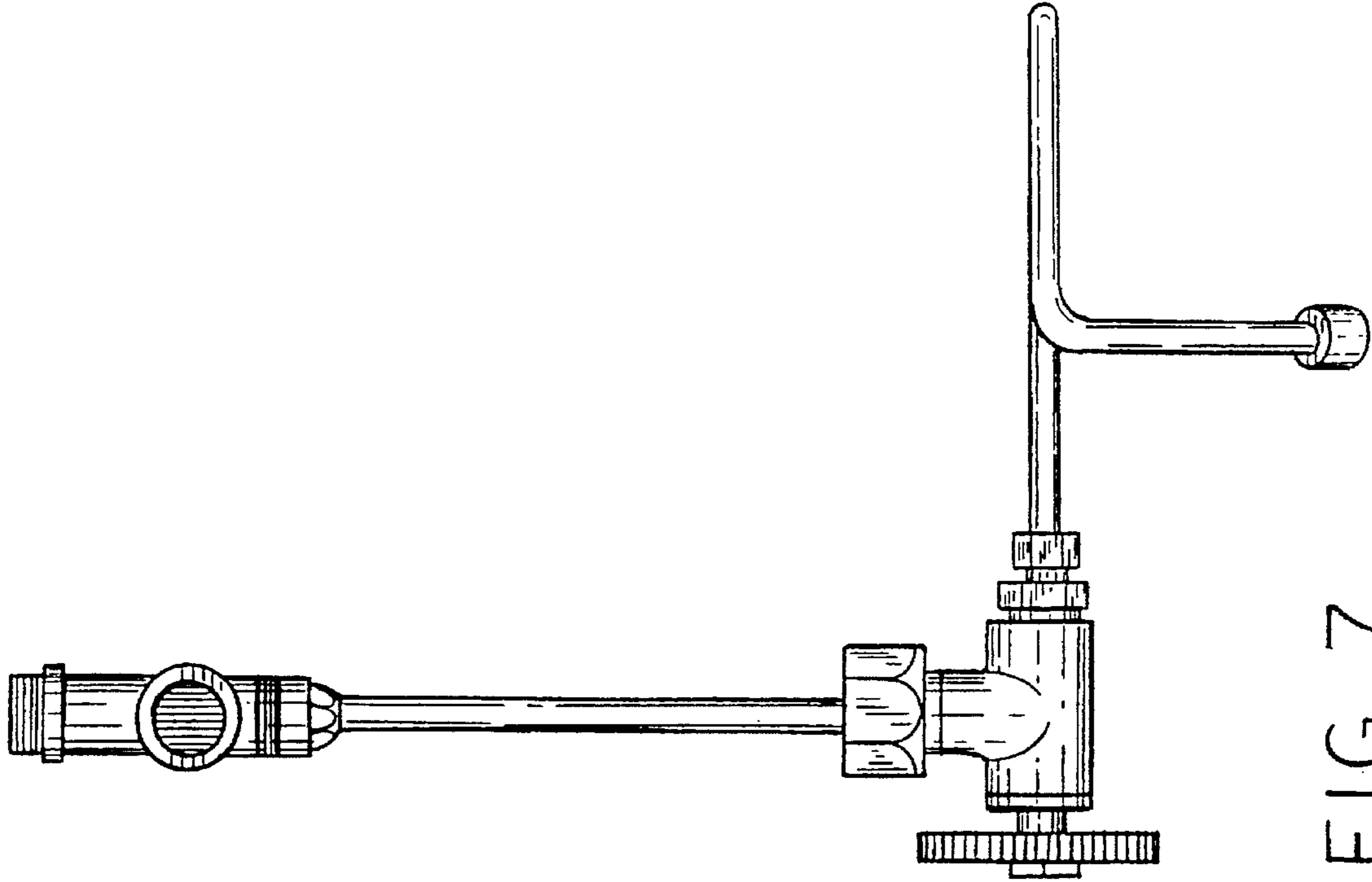


FIG. 7

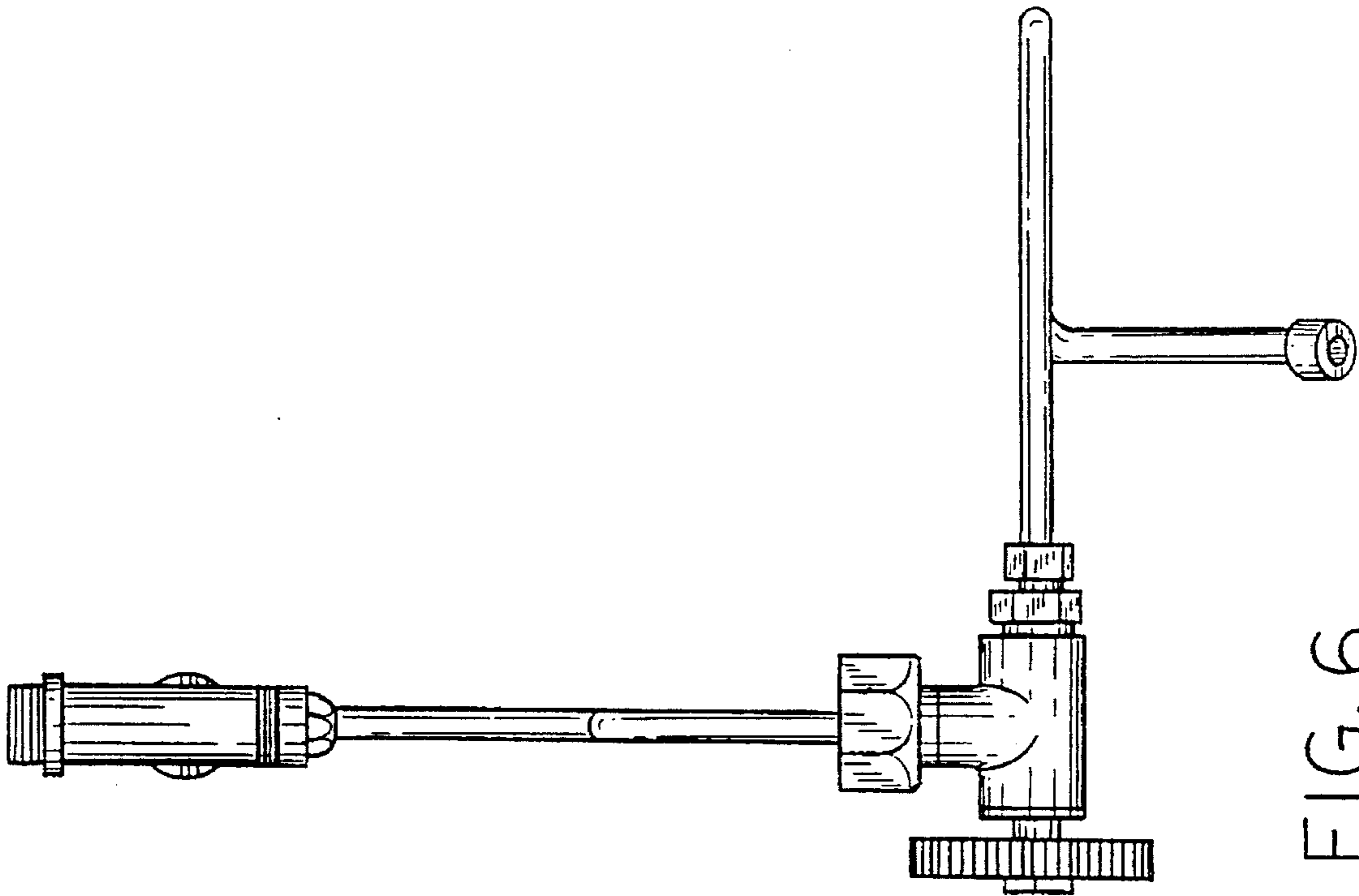


FIG. 6