



US00D366102S

United States Patent [19] Bonnell

[11] Patent Number: **Des. 366,102**

[45] Date of Patent: ****Jan. 9, 1996**

[54] **SINK**

[75] Inventor: **Thomas A. Bonnell**, Sheboygan, Wis.

[73] Assignee: **Kohler Co.**, Kohler, Wis.

[**] Term: **14 Years**

[21] Appl. No.: **17,681**

[22] Filed: **Jan. 19, 1994**

[52] U.S. Cl. **D23/284**

[58] Field of Search D23/284, 285,
D23/287, 288, 289, 290, 292, 293.1; 4/619,
624, 625, 629, 638-642, 646, 650

[56] **References Cited**

U.S. PATENT DOCUMENTS

D. 170,727	10/1953	Stanitz	D23/288
D. 244,534	5/1977	Gruber	D23/288
D. 336,950	6/1993	Dannenberg	D23/284
965,164	7/1910	Dunbar	4/619

OTHER PUBLICATIONS

Undated Elkay ad showing a Model ELU-1111 under mount sink, admitted prior art.

An Ideal-Standard ad dated Jan. 1984 showing a 90x90 cm corner shower tray.

A Kohler ad dated Aug. 1991 showing a Model K-5901 bar sink.

Primary Examiner—Louis S. Zarfes
Assistant Examiner—Eric Watterson
Attorney, Agent, or Firm—Quarles & Brady

[57] **CLAIM**

The ornamental design for a sink, as shown and described.

DESCRIPTION

FIG. 1 is a perspective view taken from the top, right side and rear of a sink embodying my new design;

FIG. 2 is a top view thereof;

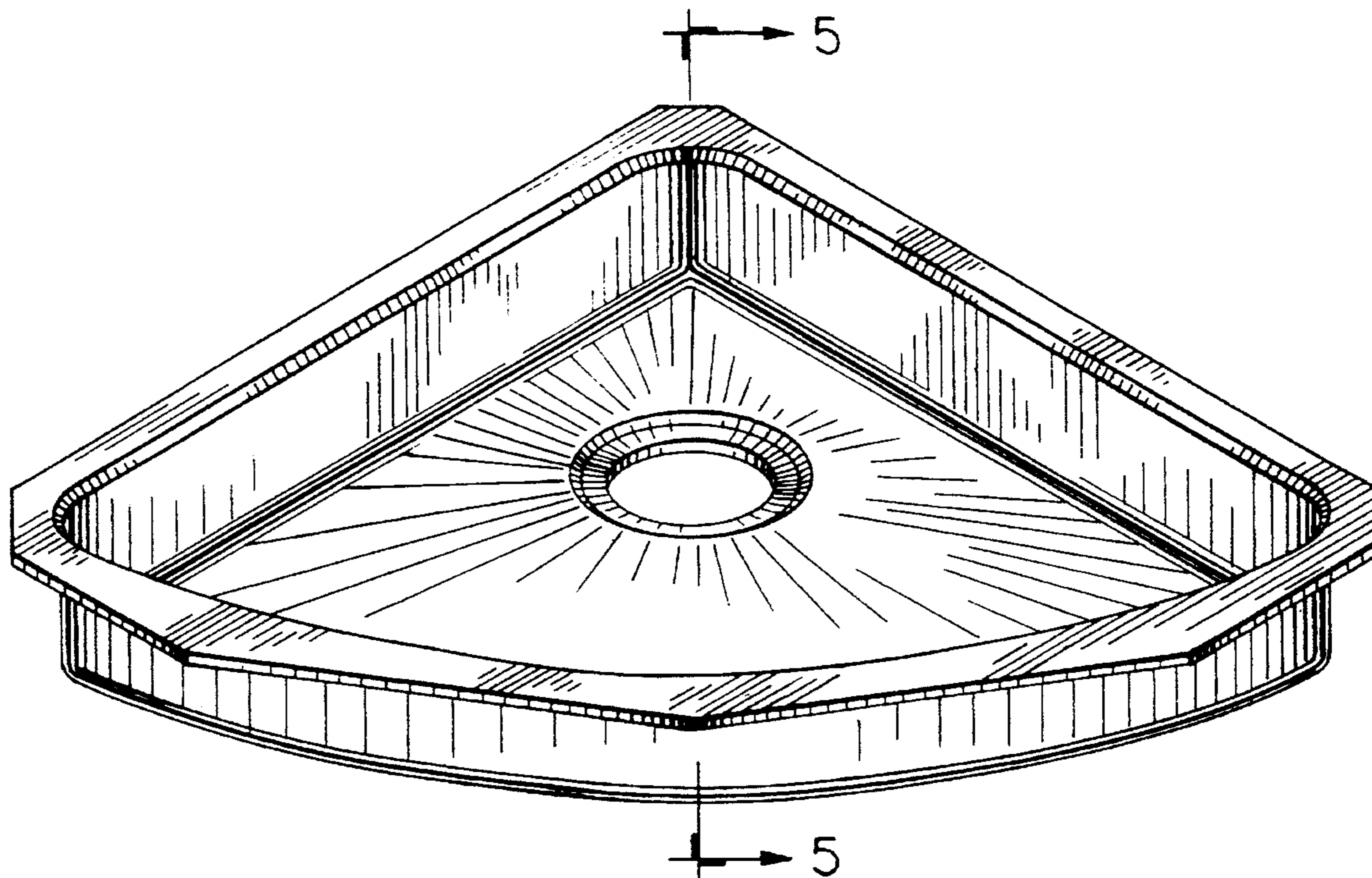
FIG. 3 is a cross-sectional view taken on line 3—3 of FIG. 2;

FIG. 4 is a perspective view taken from the top, right side and rear of a second embodiment of my new design, of which the top view is essentially the same as FIG. 2 albeit the sink is less deep; and,

FIG. 5 is a cross-sectional view taken on line 5—5 of FIG. 4.

In the preferred embodiment, the bottom is plain and unornamented except for the drain opening, which is located as shown in the drawings.

1 Claim, 2 Drawing Sheets



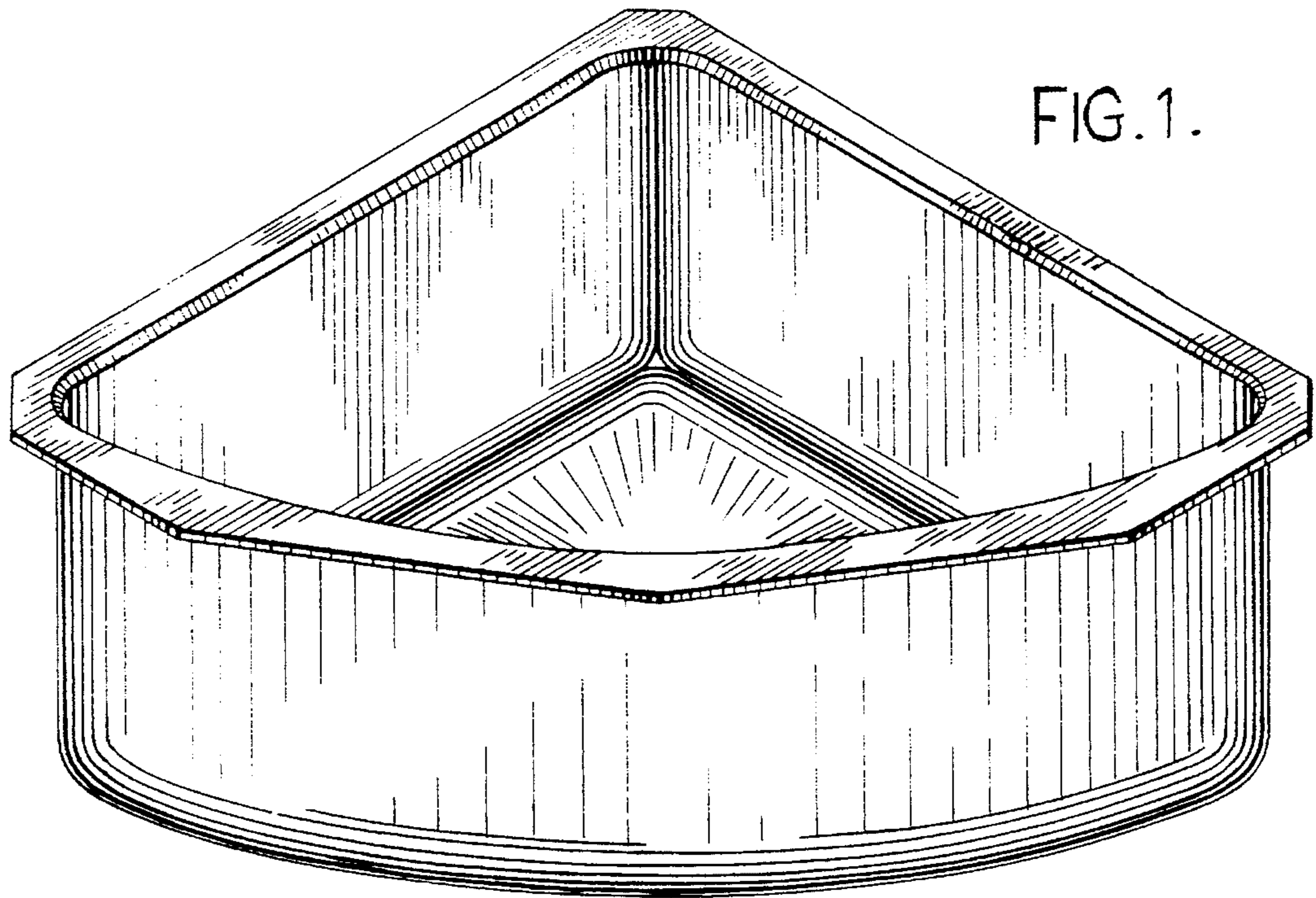


FIG. 1.

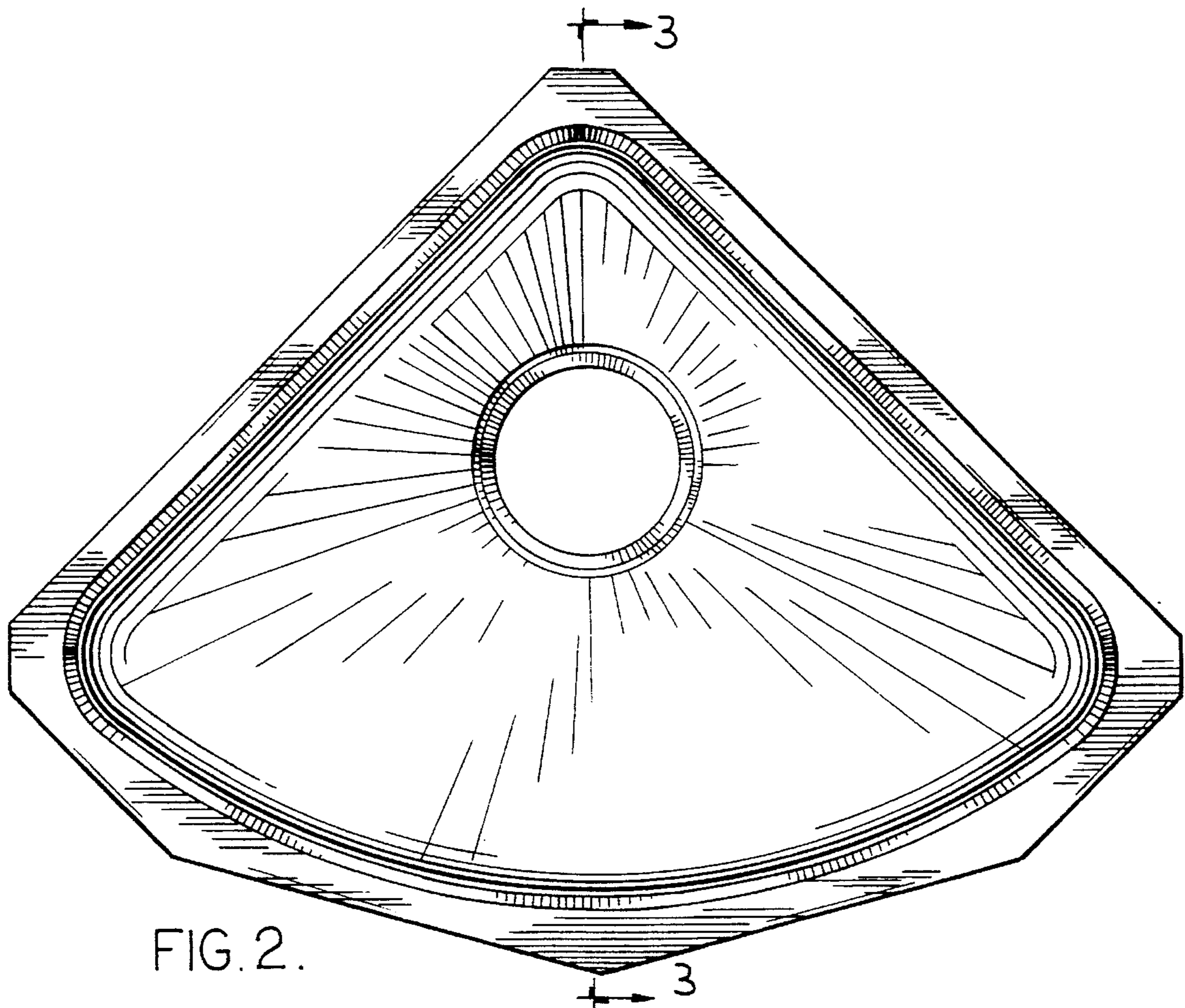


FIG. 2.

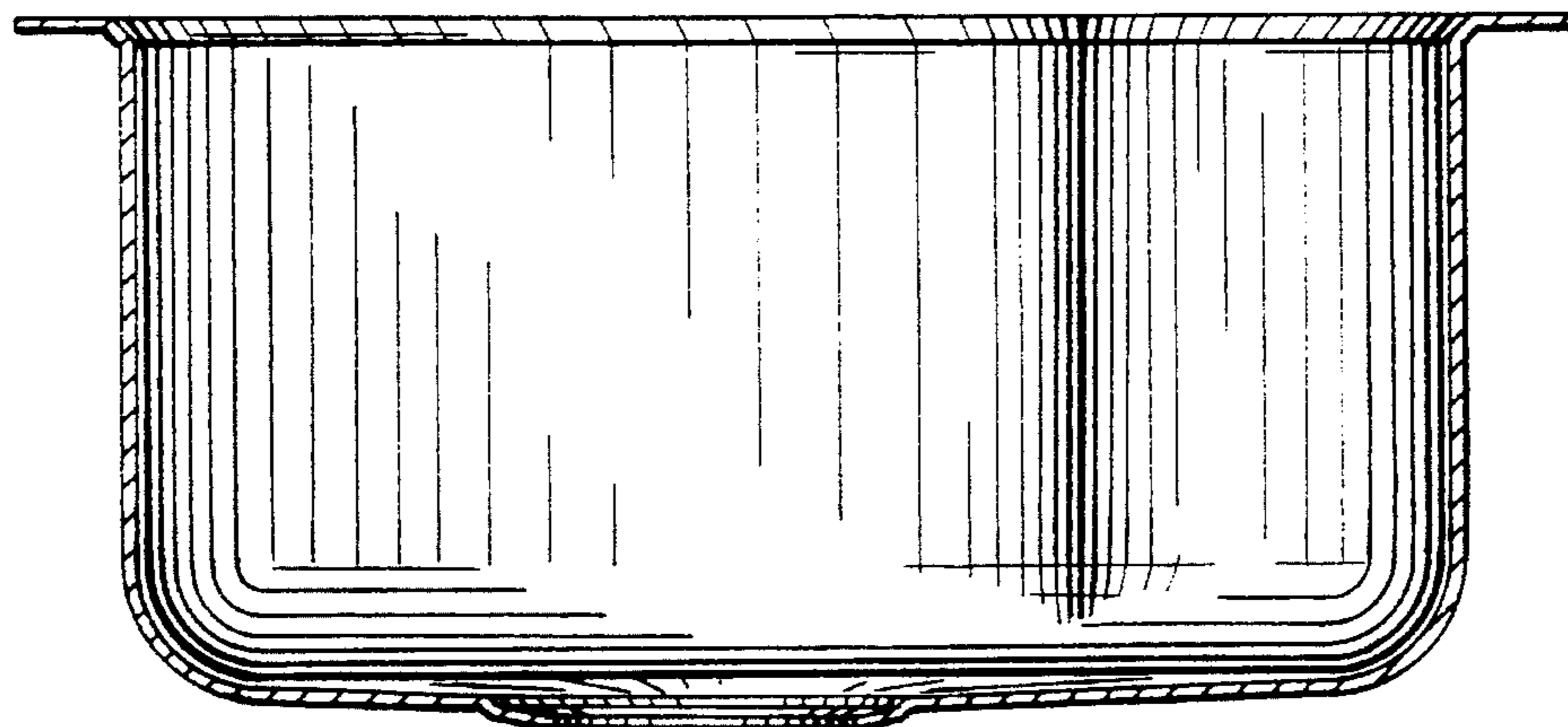


FIG. 3.

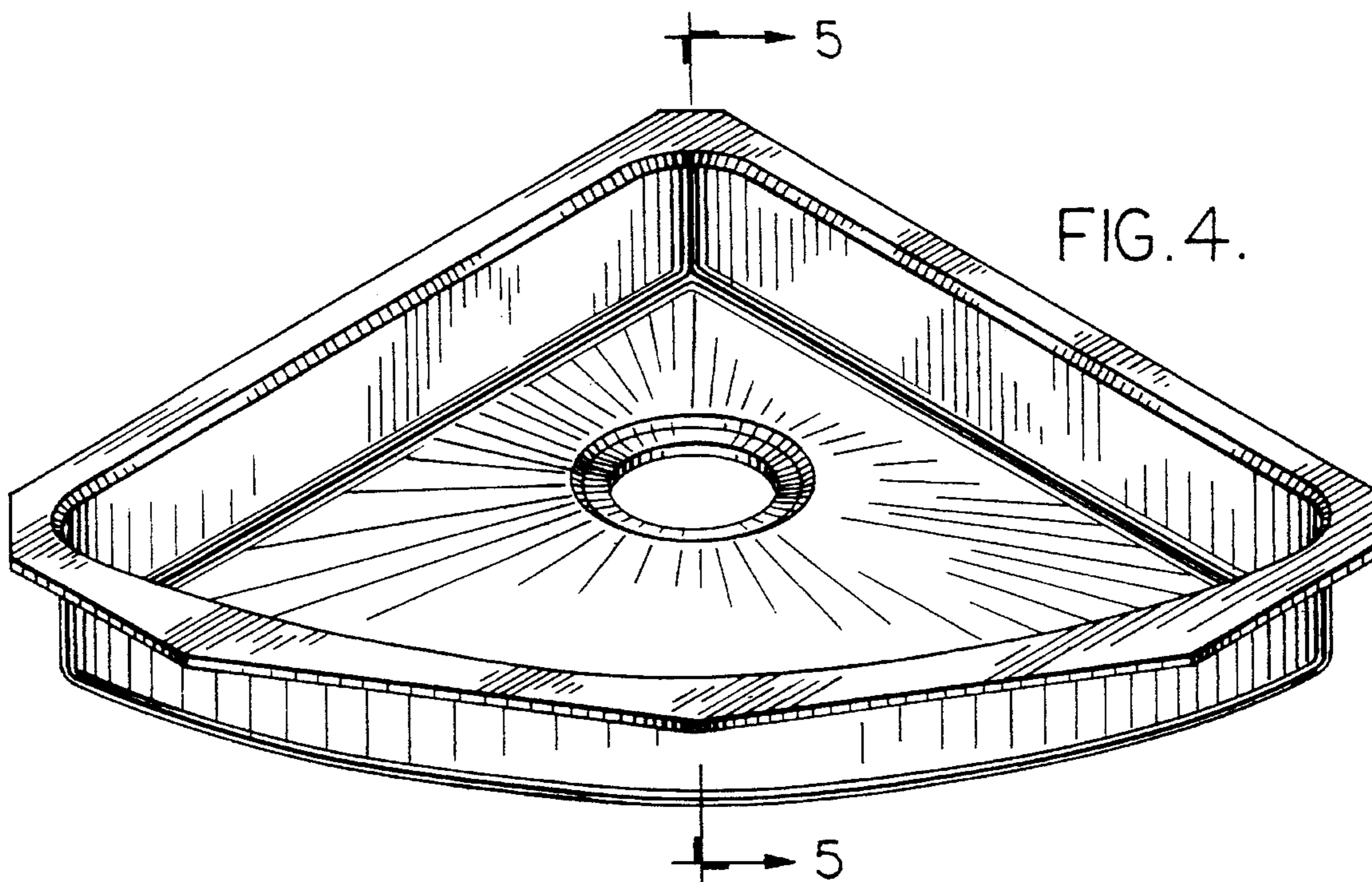


FIG. 4.



FIG. 5.