



US00D366100S

# United States Patent [19]

[11] Patent Number: **Des. 366,100**

Doughty et al.

[45] Date of Patent: **\*\*Jan. 9, 1996**

[54] **SPOUT**

[75] Inventors: **Frederic C. Doughty**, S. Pasadena;  
**Darren M. Mark**, Castaic, both of Calif.

[73] Assignee: **Emhart Inc.**, Newark, Del.

[\*\*] Term: **14 Years**

[21] Appl. No.: **33,980**

[22] Filed: **Jan. 25, 1995**

[52] U.S. Cl. .... **D23/255**

[58] Field of Search ..... D23/238-243,  
D23/255-257; 4/675-678; 137/801

[56] **References Cited**

**U.S. PATENT DOCUMENTS**

- D. 113,396 2/1939 Reinecke .
- D. 113,397 2/1939 Reinecke .
- D. 164,606 9/1951 Schlage .
- D. 201,096 5/1965 Russell .
- D. 201,097 5/1965 Russell .
- D. 212,611 11/1968 Young .
- D. 218,034 7/1970 Mongerson et al. .... D23/257
- D. 261,027 9/1981 Klose .
- D. 271,706 12/1983 Fabian .
- D. 288,525 3/1987 Angle .
- D. 291,116 7/1987 Haug et al. .
- D. 295,664 5/1988 Konler, Jr. et al. .... D23/255

- D. 296,235 6/1988 Schmitz .
- D. 301,605 6/1989 Jans .
- D. 317,350 6/1991 Freed ..... D23/257
- D. 330,072 10/1992 Levien .
- D. 331,797 12/1992 Rosenbaum .
- D. 332,826 1/1993 Rosenbaum .
- D. 345,782 4/1994 Short et al. .
- D. 353,877 12/1994 Rogers ..... D23/255
- 922,471 5/1909 Glauber .
- 1,214,220 1/1917 Regar .
- 1,248,720 12/1917 Rosenfeld .
- 1,933,839 11/1933 Bloch .
- 2,507,467 5/1950 Frederickson et al. .

*Primary Examiner*—Stella Reid  
*Assistant Examiner*—E. Watterson  
*Attorney, Agent, or Firm*—J. Bruce Hoofnagle

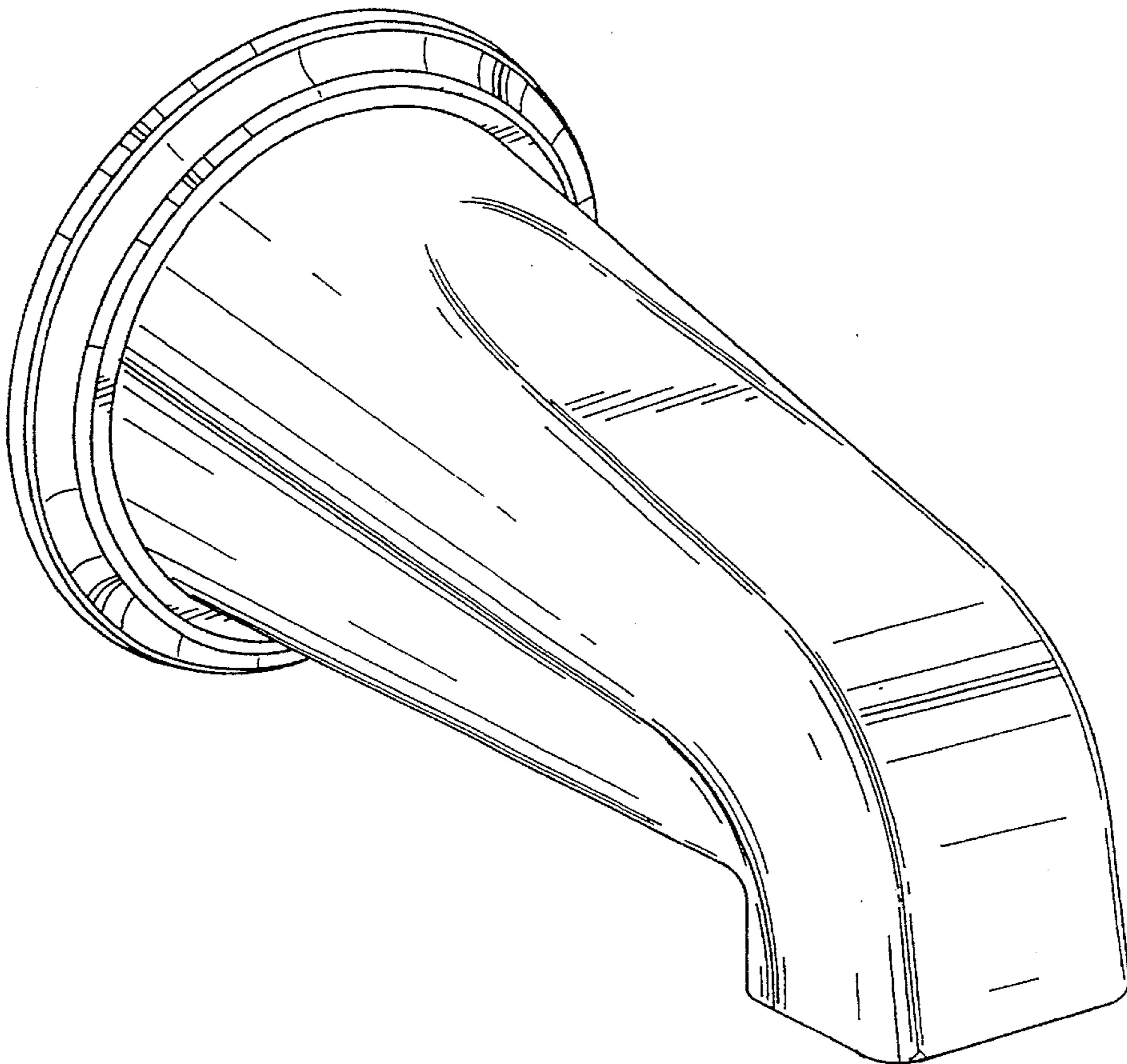
[57] **CLAIM**

The ornamental design for a spout, as shown and described.

**DESCRIPTION**

FIG. 1 is a front view of our new design of a spout; FIG. 2 is a rear view of our new design of the spout; FIG. 3 is a top view of our new design of the spout; FIG. 4 is a bottom view of our new design of the spout; FIG. 5 is a left side view of our new design of the spout, a right side view thereof being a mirror image of the left side view; and, FIG. 6 is a perspective view of our new design of the spout.

**1 Claim, 3 Drawing Sheets**



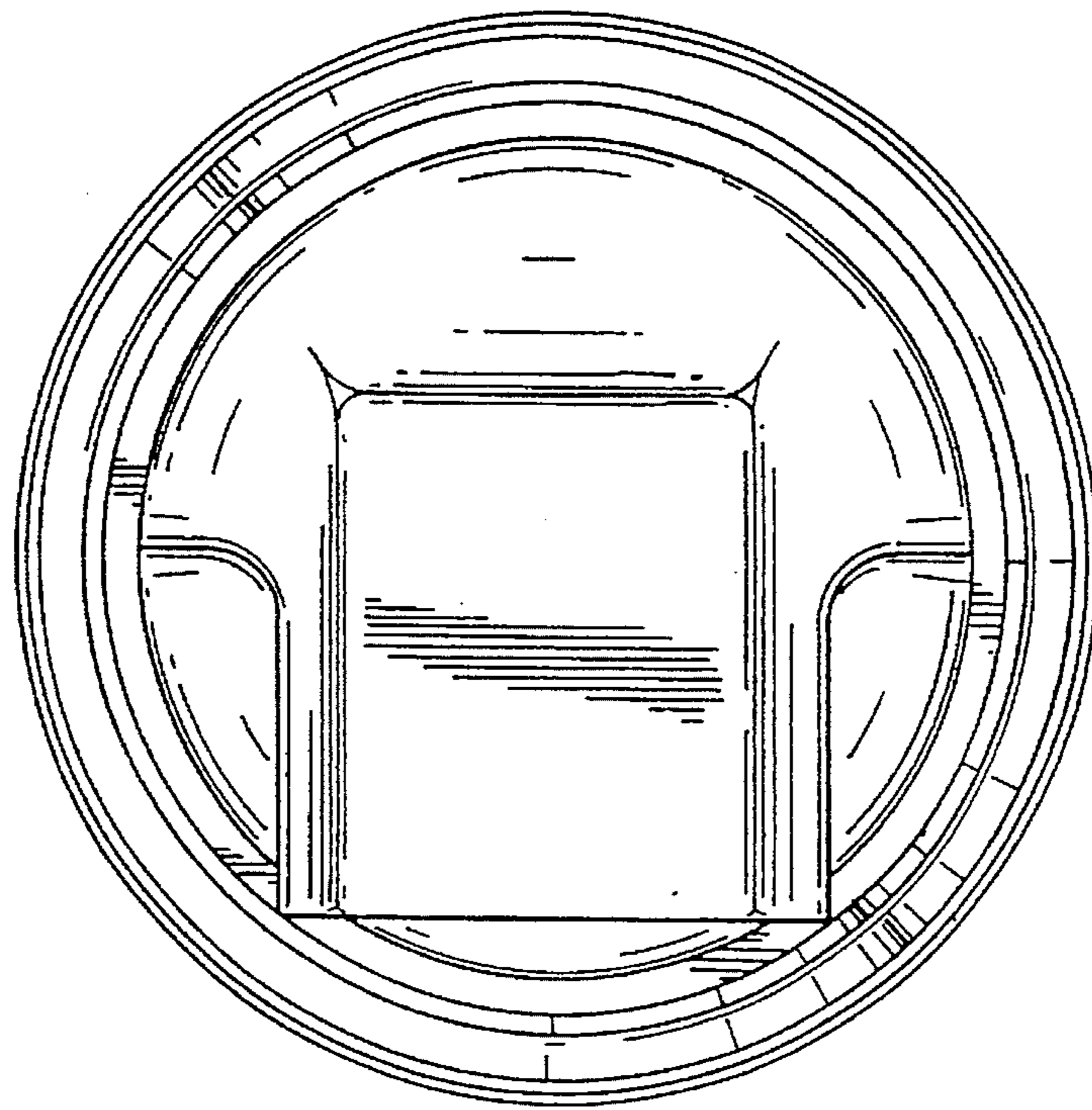


FIG. 1

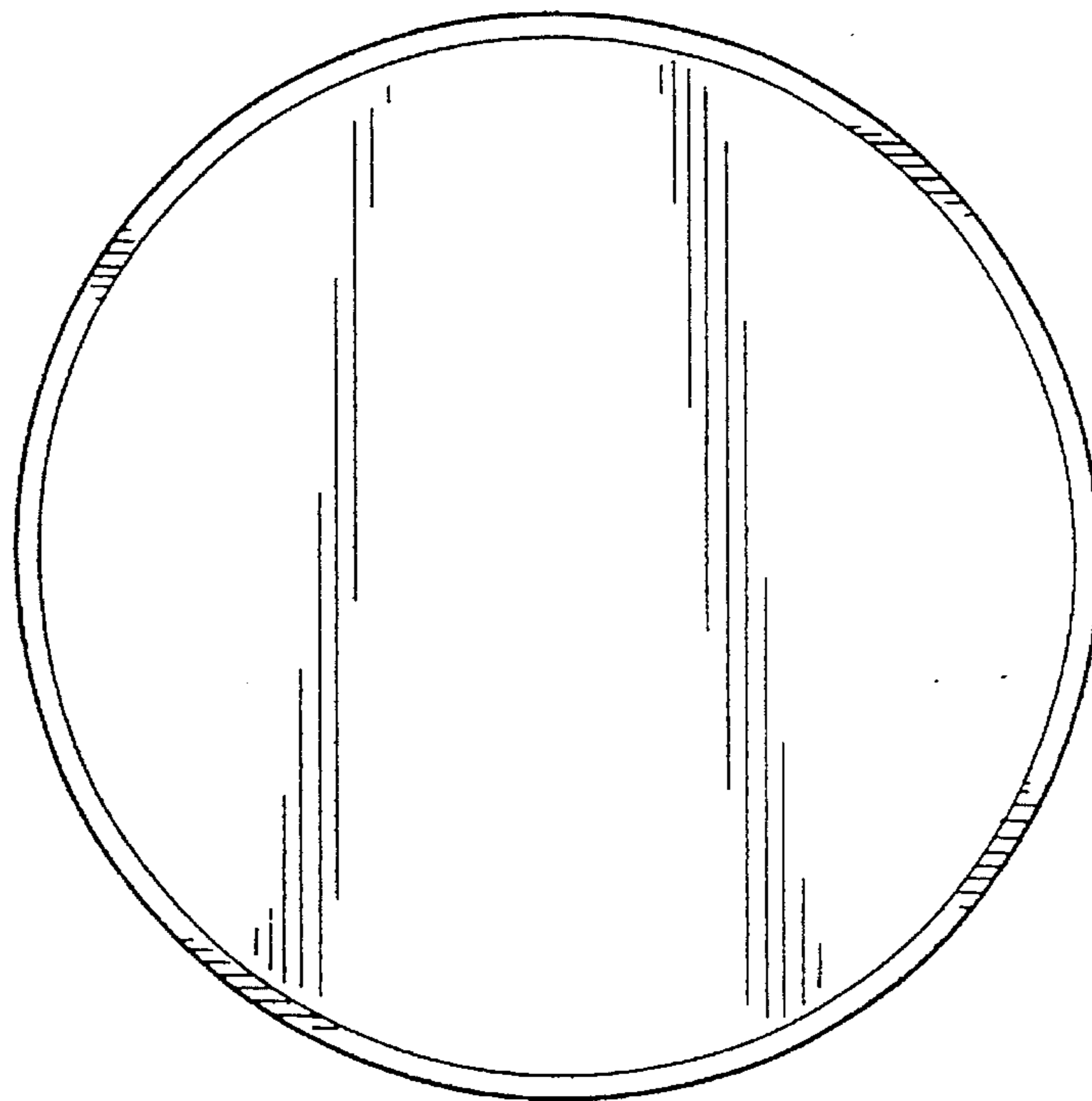


FIG. 2

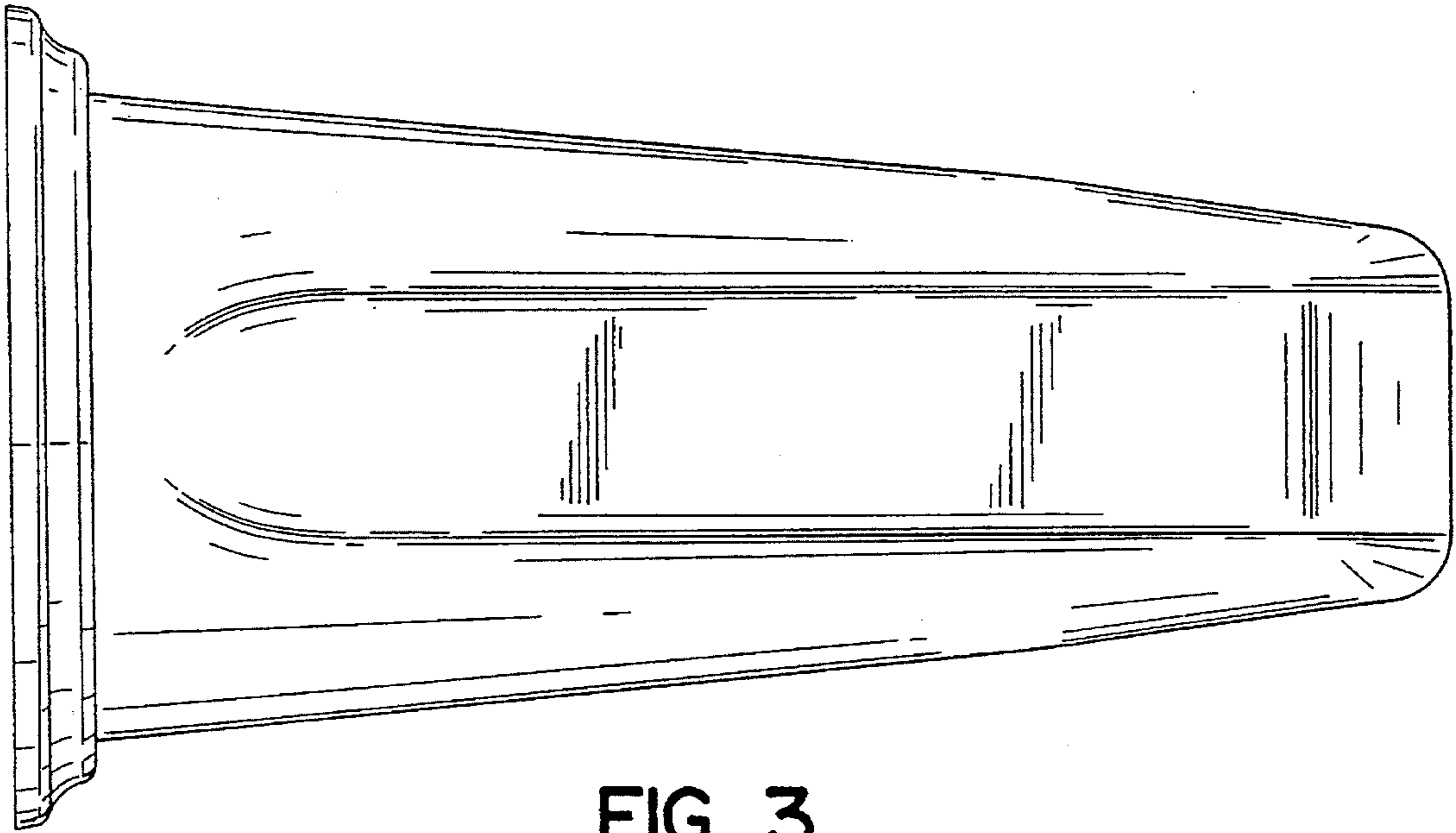


FIG. 3

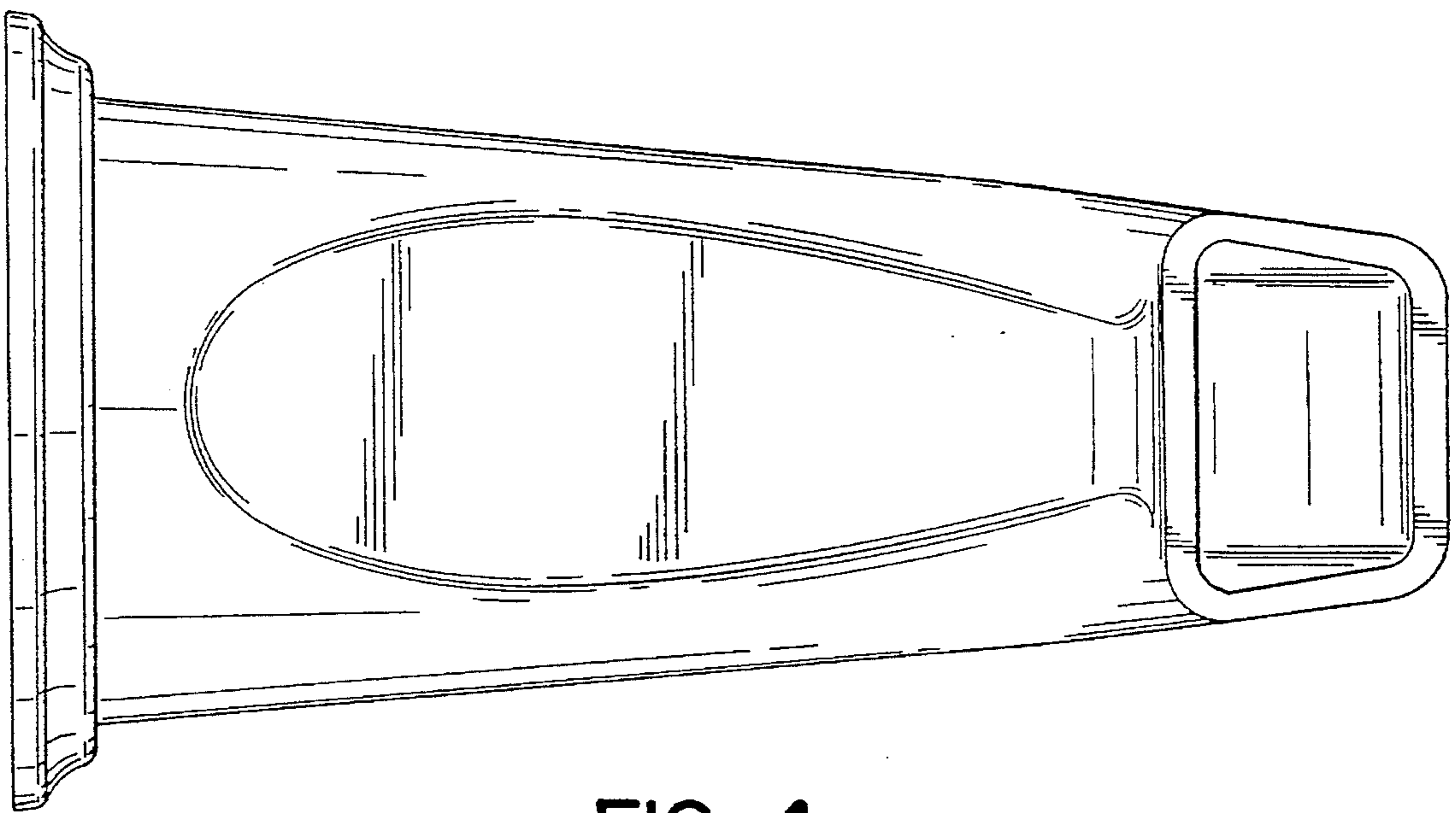


FIG. 4

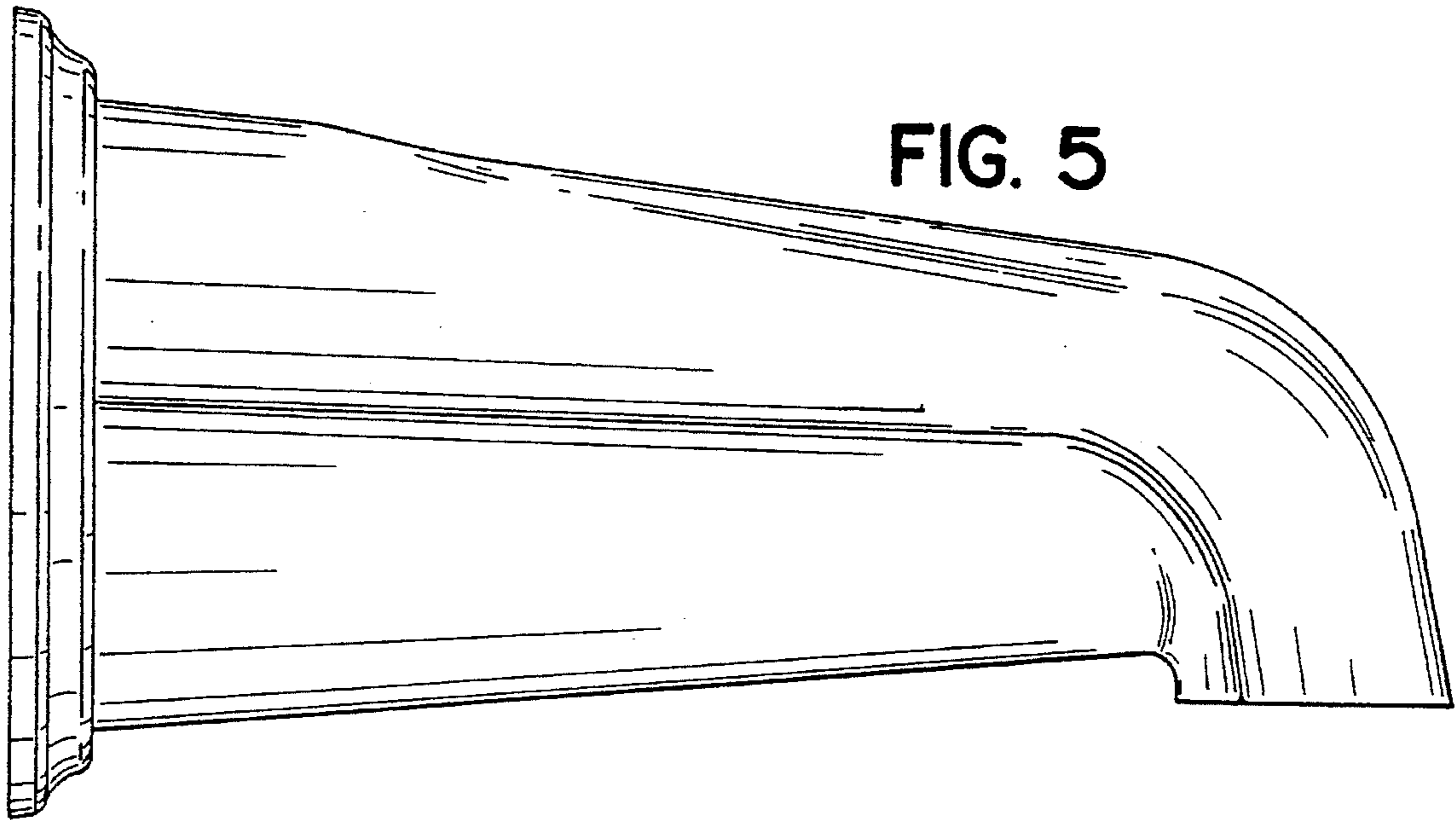


FIG. 5

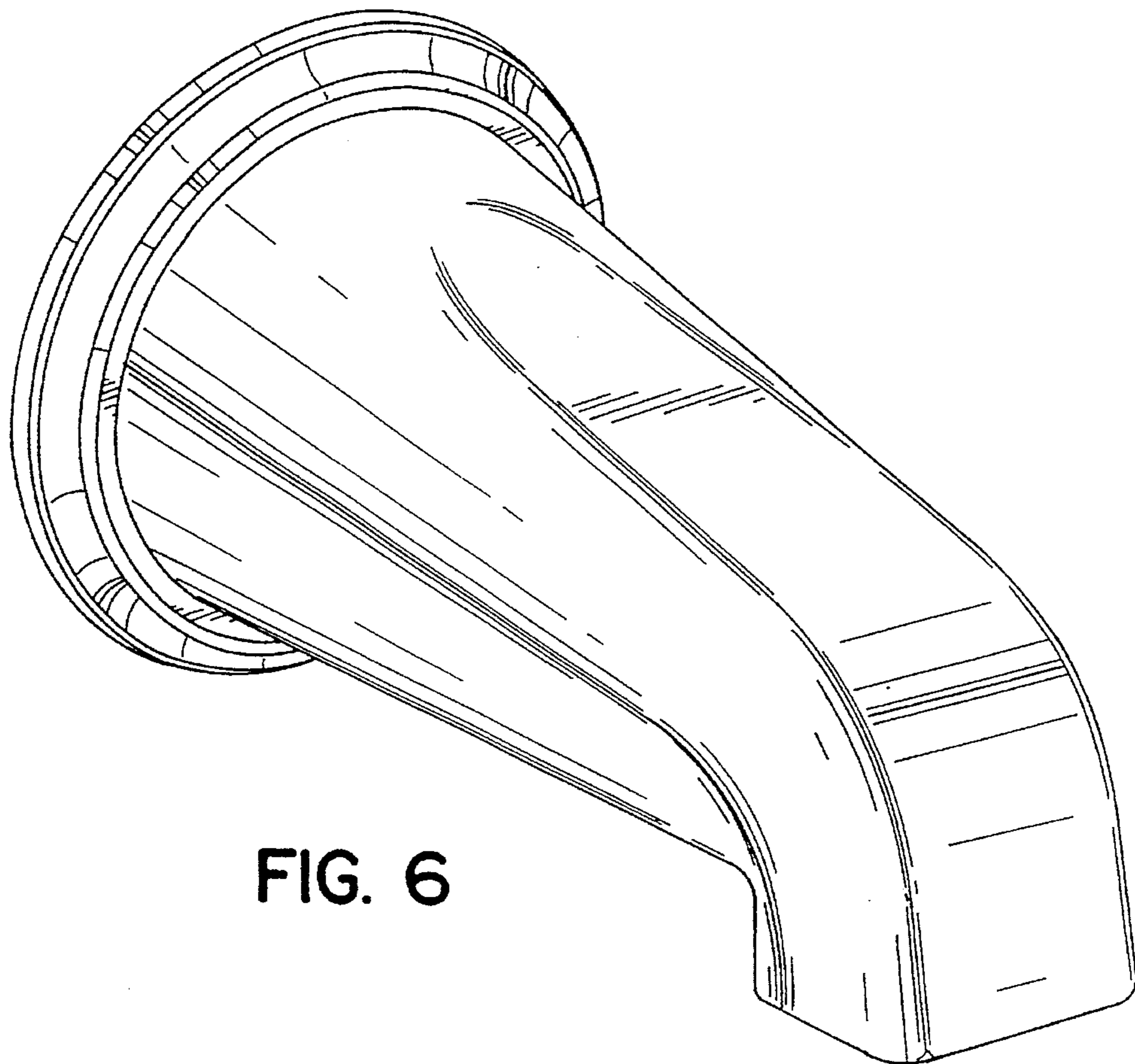


FIG. 6