



US00D366099S

United States Patent [19]

[11] Patent Number: **Des. 366,099**

Hill et al.

[45] Date of Patent: ***** Jan. 9, 1996**

[54] FAUCET SPOUT

D. 339,853 9/1993 Higgins et al. D23/255

[75] Inventors: **Loran R. Hill**, Indianapolis; **Anthony G. Spangler**, Sheridan, both of Ind.

OTHER PUBLICATIONS

Delta The Way Water is Brought to Life Full Line Catalog 1991.

[73] Assignee: **Masco Corporation of Indiana**, Taylor, Mich.

Delta HDF Commerical Products Catalog 1991.

[*] Notice: The portion of the term of this patent subsequent to Oct. 31, 2009, has been disclaimed.

Primary Examiner—Stella Reid

Assistant Examiner—E. Watterson

Attorney, Agent, or Firm—Myron B. Kapustij; Malcolm L. Sutherland

[**] Term: **14 Years**

[57] CLAIM

[21] Appl. No.: **15,155**

The ornamental design for a faucet spout, as shown and described.

[22] Filed: **Nov. 9, 1993**

DESCRIPTION

[52] U.S. Cl. **D23/255**

[58] Field of Search D23/238-243, D23/250-258; 4/675, 676, 677, 678; 137/801

FIG. 1 is a front perspective view of a faucet spout showing our new design;

FIG. 2 is a rear perspective view thereof;

FIG. 3 is a top plan view thereof;

FIG. 4 is a front elevational view thereof;

FIG. 5 is a rear elevational view thereof;

FIG. 6 is a left side elevational view thereof, the right side being a mirror image;

FIG. 7 is a cross-sectional view taken along line 7—7 in FIG. 6;

FIG. 8 is a bottom plan view thereof;

FIG. 9 is a front perspective view of a second embodiment of a faucet spout;

FIG. 10 is a top plan view of the faucet spout of FIG. 9;

FIG. 11 is a front elevational view of FIG. 9;

FIG. 12 is a left side elevational view of FIG. 9, the right side being a mirror image;

FIG. 13 is a cross-sectional view taken along line 13—13 in FIG. 12; and,

FIG. 14 is a rear perspective view of FIG. 9.

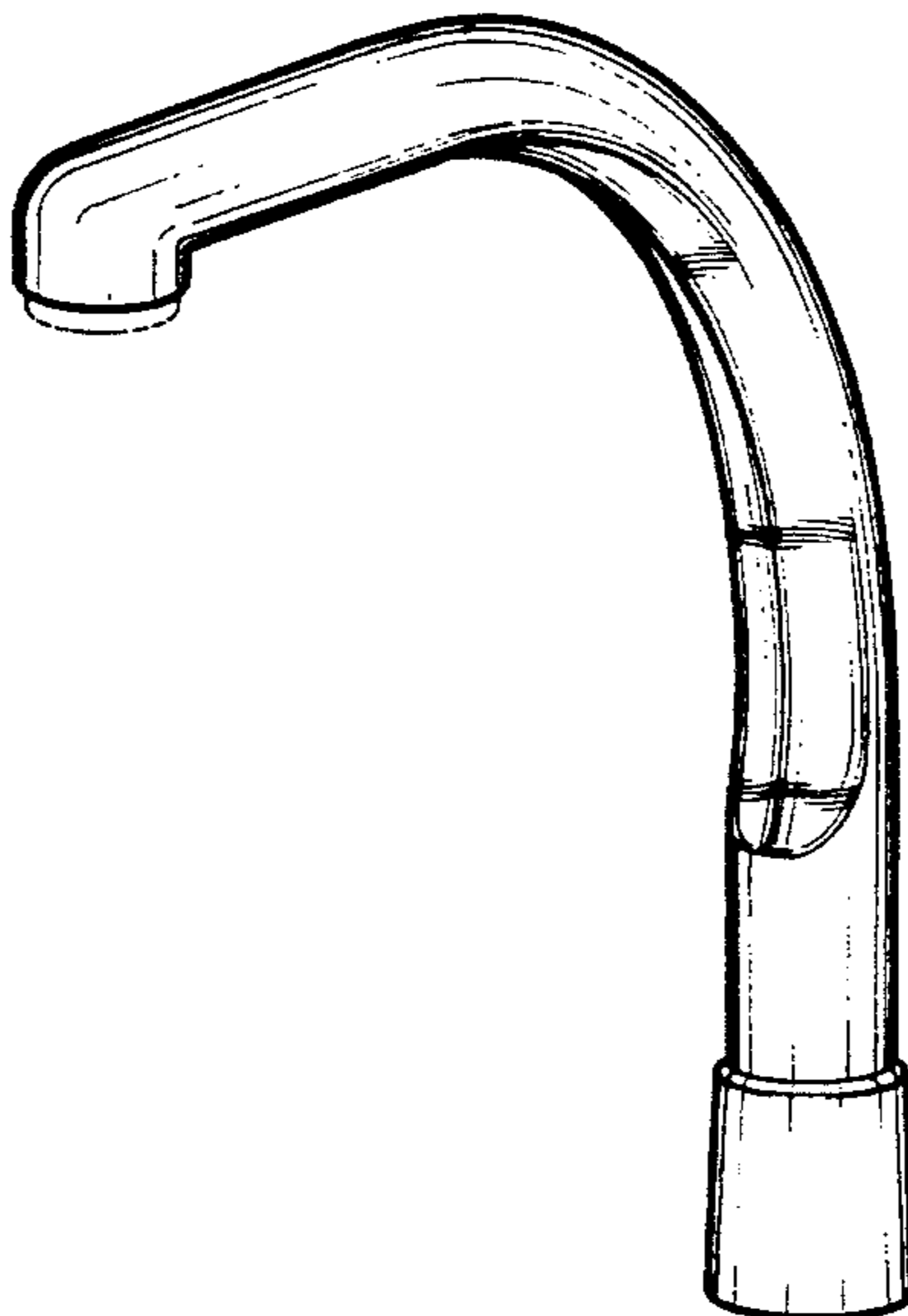
The broken line showing of the aerator in FIG. 1 is for purposes of illustration only and forms no part of the claimed design.

[56] References Cited

U.S. PATENT DOCUMENTS

- D. 251,794 5/1979 Smith .
- D. 254,801 4/1980 Santi .
- D. 267,110 11/1982 Arnolds .
- D. 268,608 4/1983 Wilcock .
- D. 276,259 11/1984 Miller .
- D. 278,270 4/1985 Diemann D23/255
- D. 278,271 4/1985 Nieman .
- D. 279,598 6/1985 Rademacher .
- D. 280,010 8/1985 Miller et al. .
- D. 281,095 10/1985 Arnold et al. .
- D. 286,561 11/1986 Yost .
- D. 287,747 1/1987 Miller et al. .
- D. 288,835 3/1987 Yost .
- D. 290,992 6/1987 Hill et al. .
- D. 291,117 7/1987 Ryan .
- D. 295,550 5/1988 Yost .
- D. 295,551 5/1988 Yost .
- D. 314,041 1/1991 Knapp D23/241
- D. 318,906 8/1991 Spangler .
- D. 320,645 10/1991 Knapp et al. .
- D. 321,750 11/1991 Spangler .

1 Claim, 6 Drawing Sheets



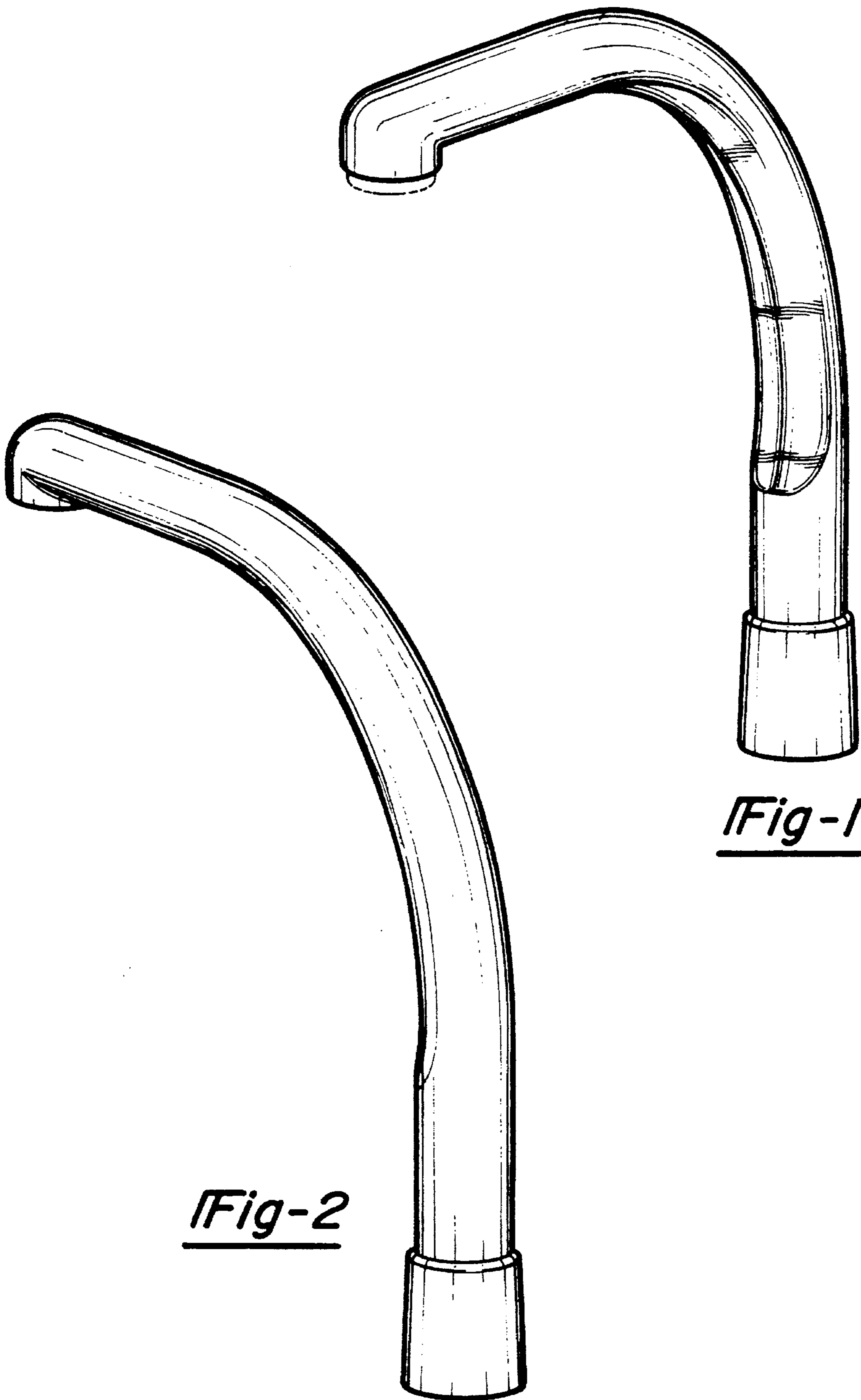


Fig-1

Fig-2

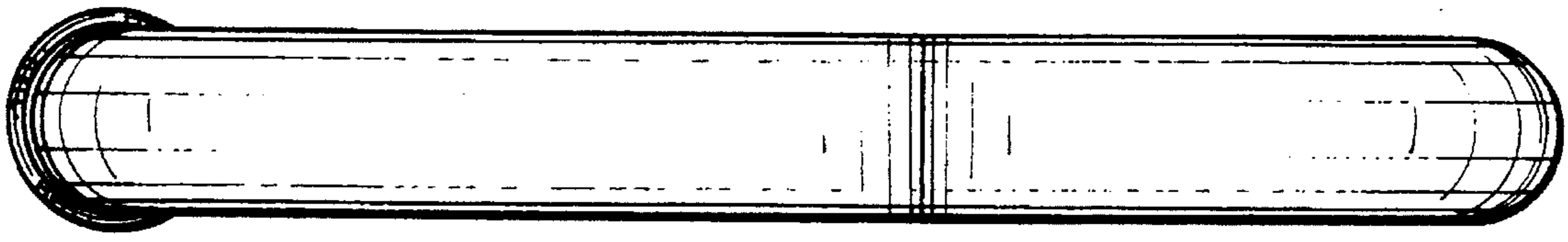


Fig-3

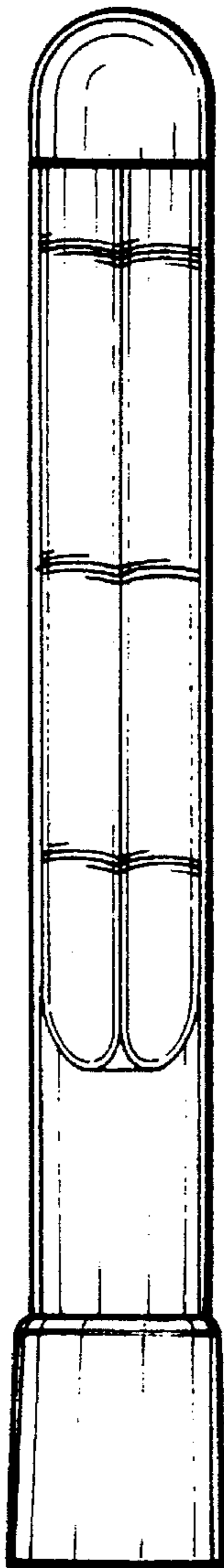


Fig-4

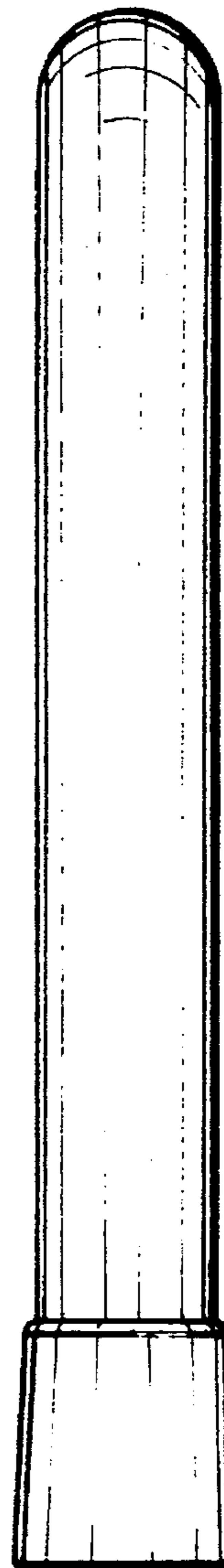


Fig-5

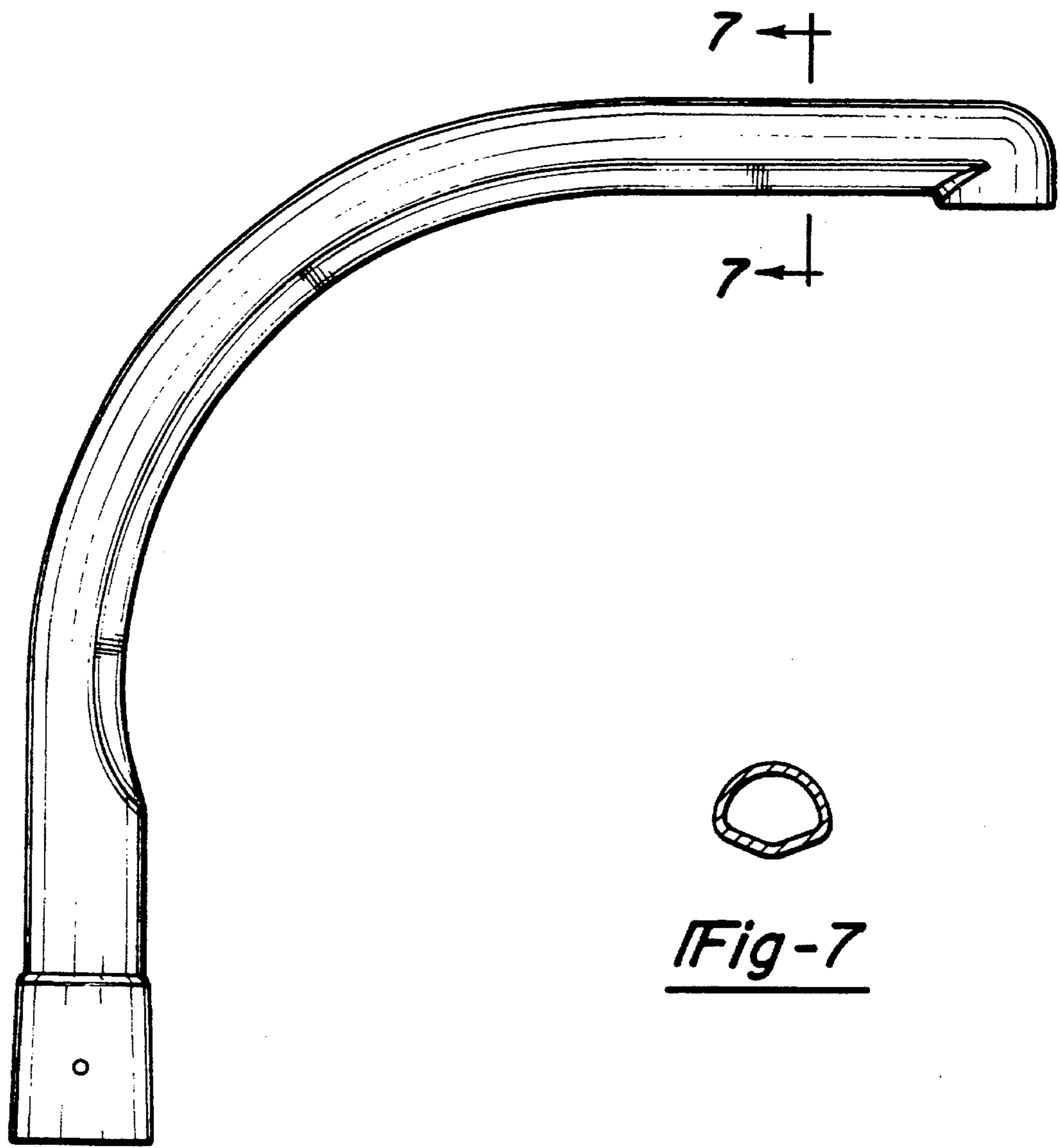


Fig-6

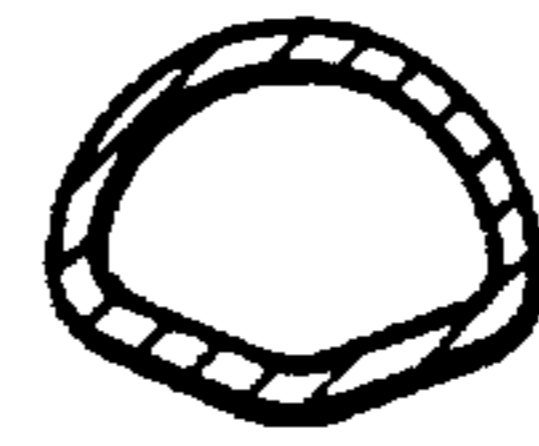


Fig-7

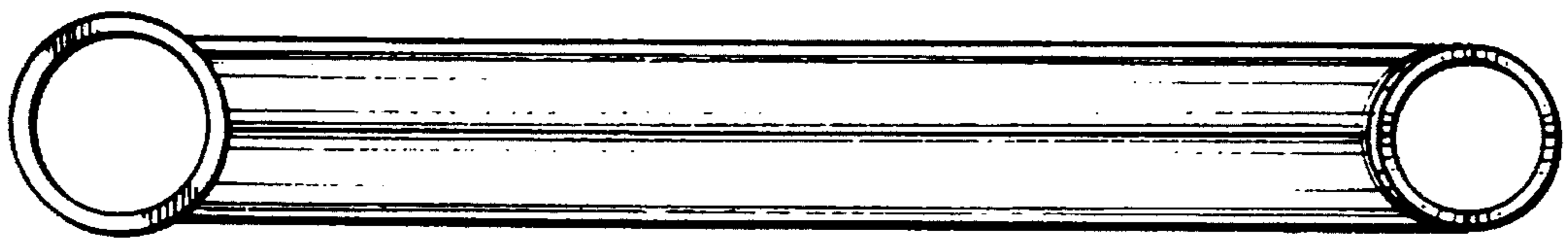


Fig-8

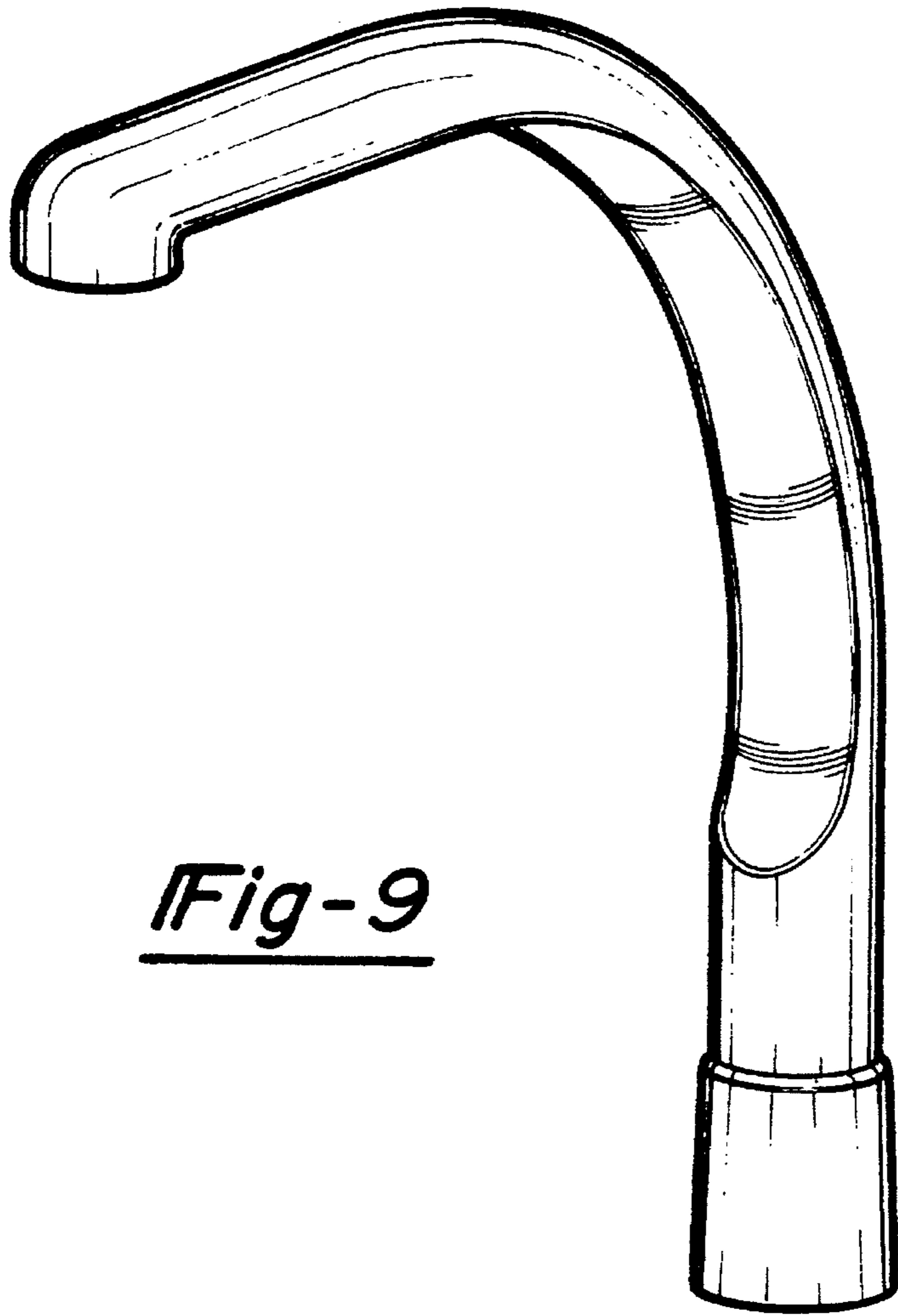


Fig-9

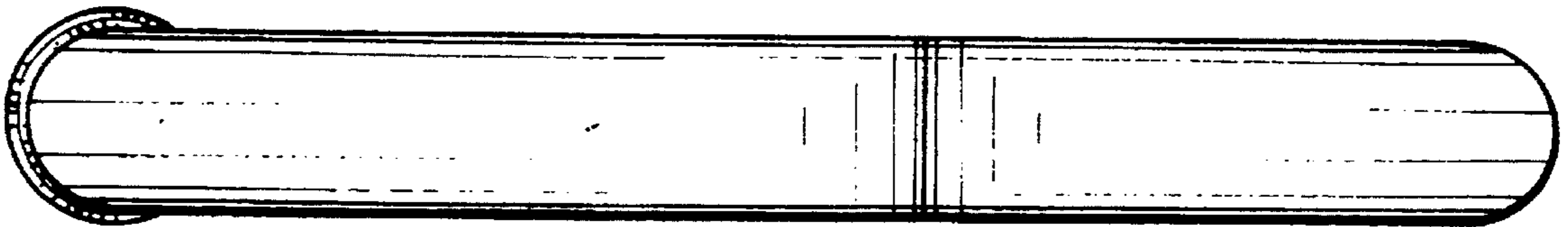


Fig-10

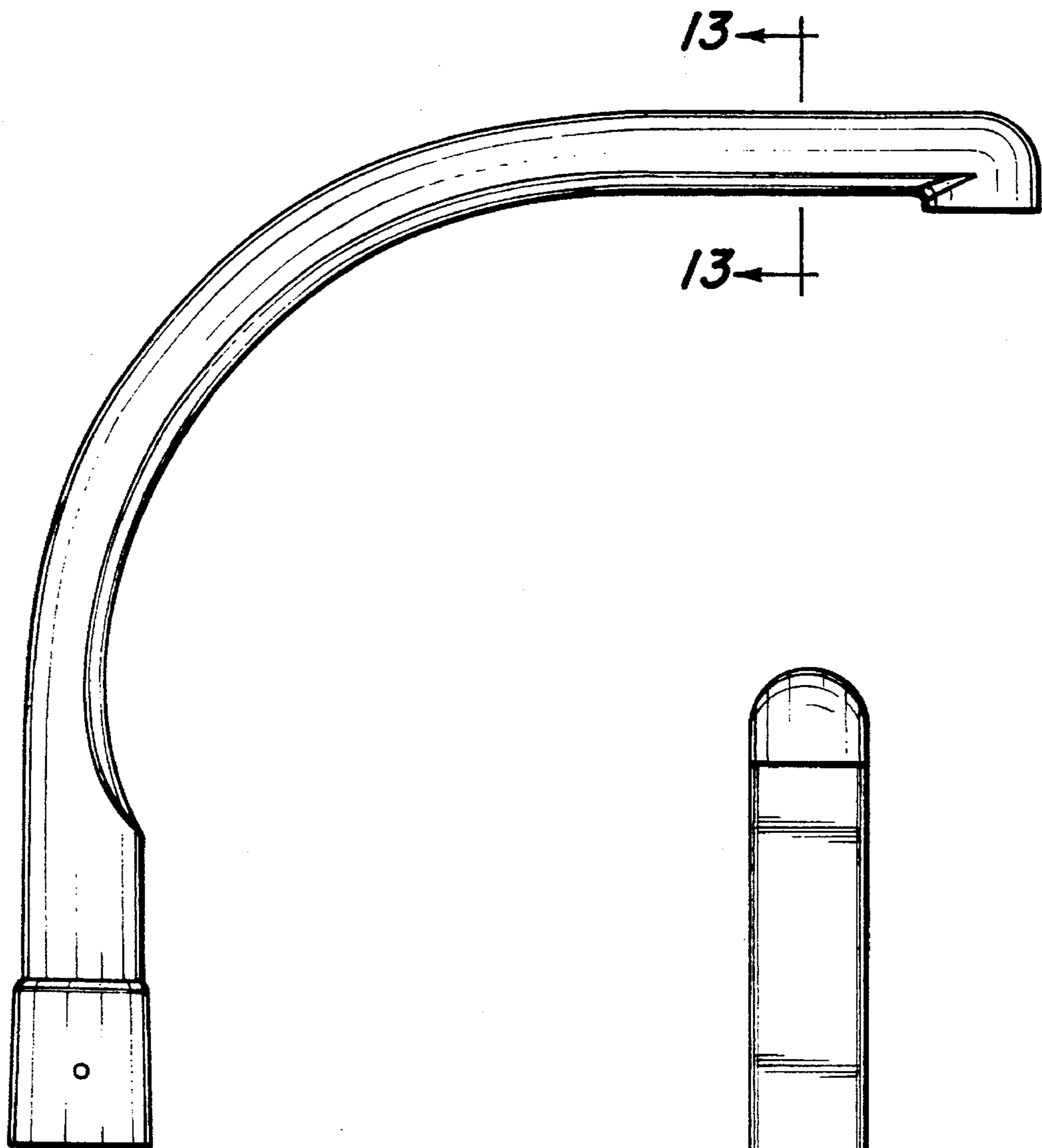


Fig-12



Fig-13

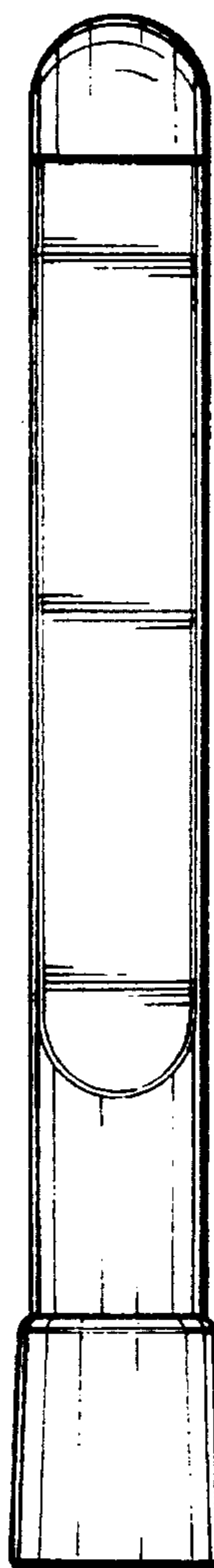


Fig-11

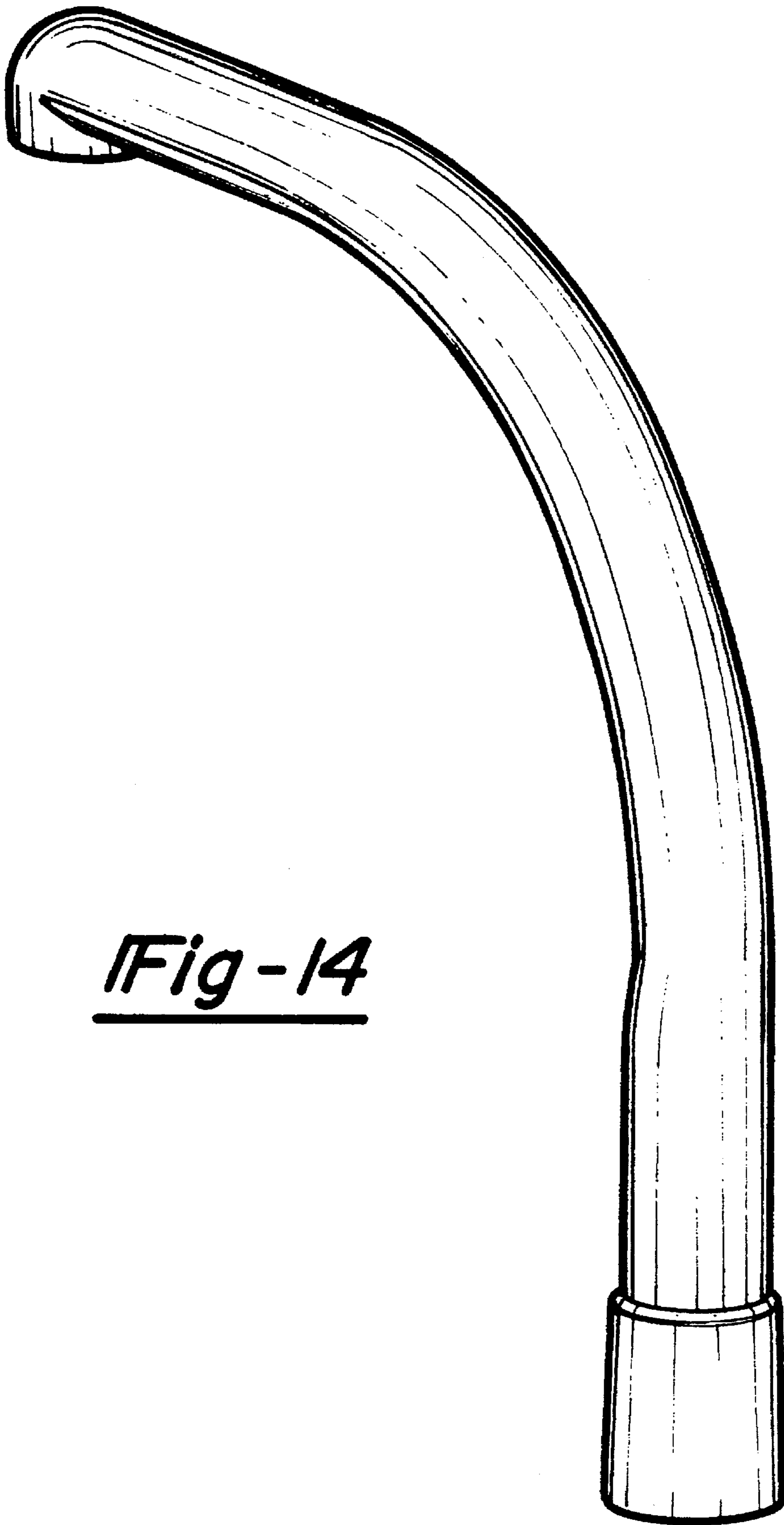


Fig-14