



US00D366098S

**United States Patent** [19]  
**Gottwald**

[11] **Patent Number:** **Des. 366,098**

[45] **Date of Patent:** **\*\*Jan. 9, 1996**

[54] **FAUCET**

[75] **Inventor:** **Adolf Gottwald, Iserlohn, Germany**

[73] **Assignee:** **Friedrich Grohe Aktiengesellschaft, Hemer, Germany**

[\*\*] **Term:** **14 Years**

[21] **Appl. No.:** **37,495**

[22] **Filed:** **Apr. 14, 1995**

[30] **Foreign Application Priority Data**

Oct. 31, 1994 [DE] Germany ..... M9408465.3

[52] **U.S. Cl.** ..... **D23/238**

[58] **Field of Search** ..... D23/238-243,  
D23/250-258; 4/623, 675-678; 137/807

[56] **References Cited**

**U.S. PATENT DOCUMENTS**

D. 219,739 1/1971 Wiemann ..... D23/238

D. 343,227 1/1994 Dannenberg et al. .... D23/238

4,827,538 5/1989 Heimsun et al. .... 4/677

5,361,431 11/1994 Preier et al. .... 4/677

*Primary Examiner*—Stella Reid

*Assistant Examiner*—Eric Watterson

*Attorney, Agent, or Firm*—Herbert Dubno

[57] **CLAIM**

The ornamental design for a faucet, as shown.

**DESCRIPTION**

FIG. 1 is a top, front, right-side perspective view of a faucet showing my new design;

FIG. 2 is a right side elevational view thereof;

FIG. 3 is a left side elevational view thereof;

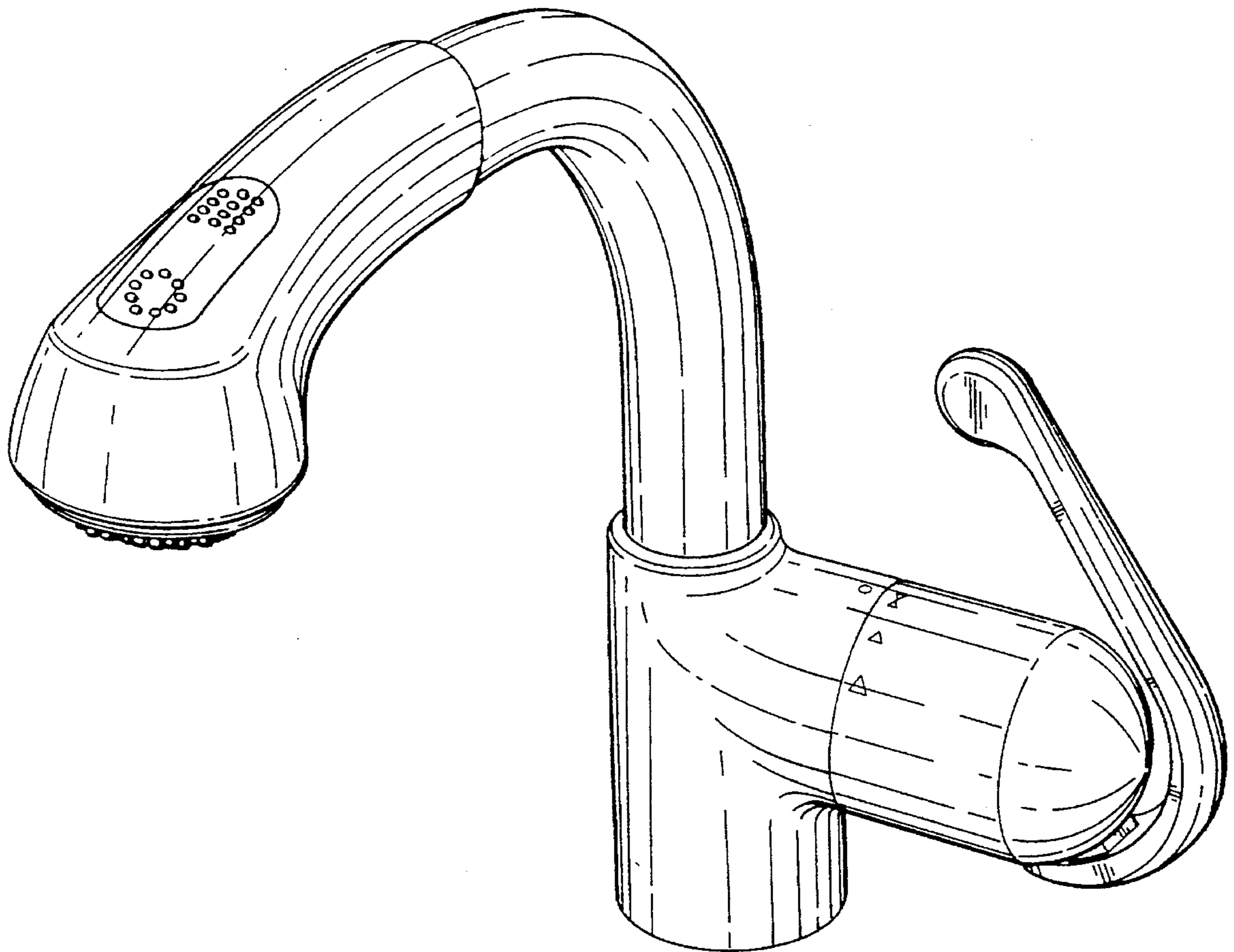
FIG. 4 is a front view thereof;

FIG. 5 is a rear view thereof;

FIG. 6 is a top view thereof; and,

FIG. 7 is a bottom view thereof.

**1 Claim, 7 Drawing Sheets**



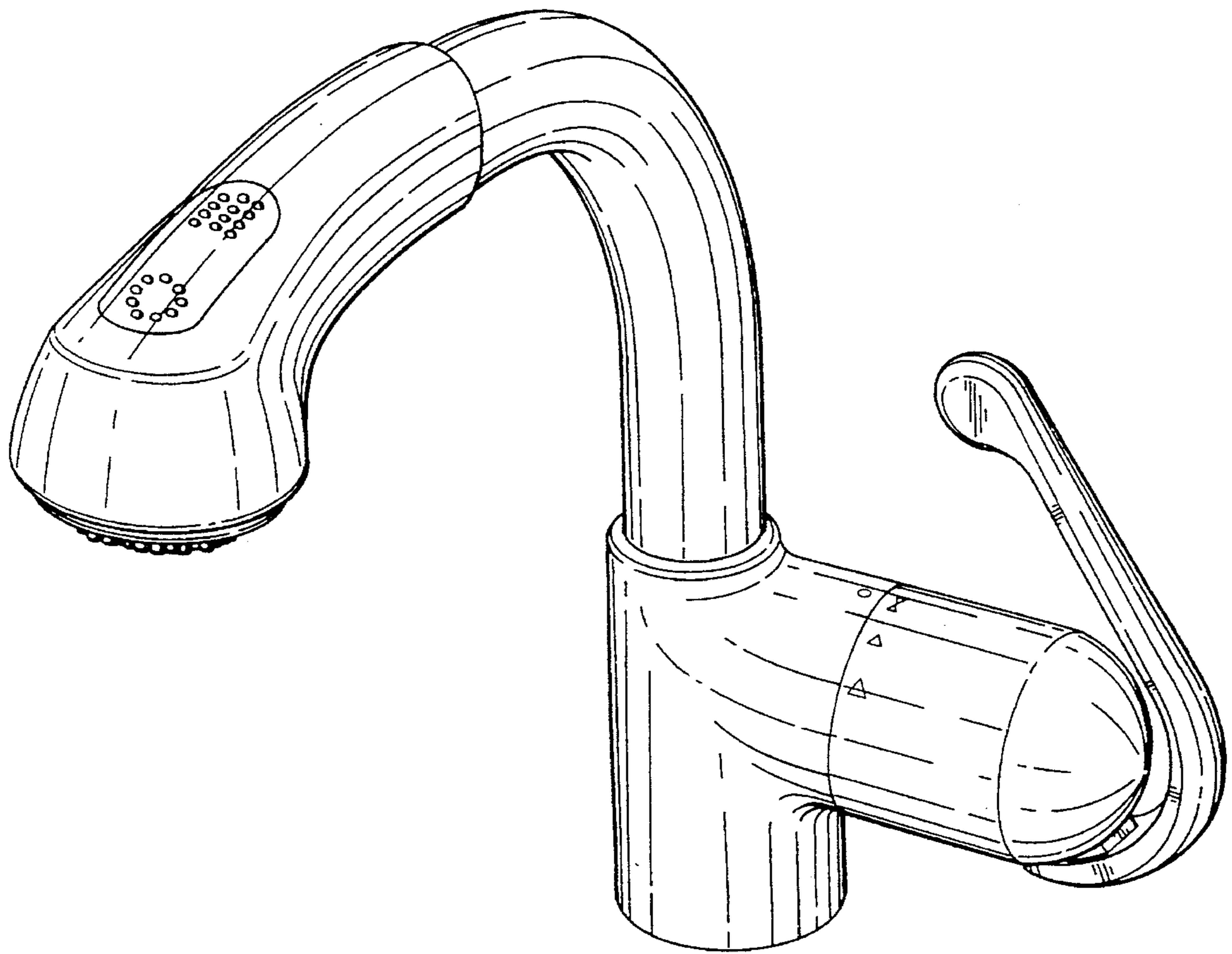


FIG. 1

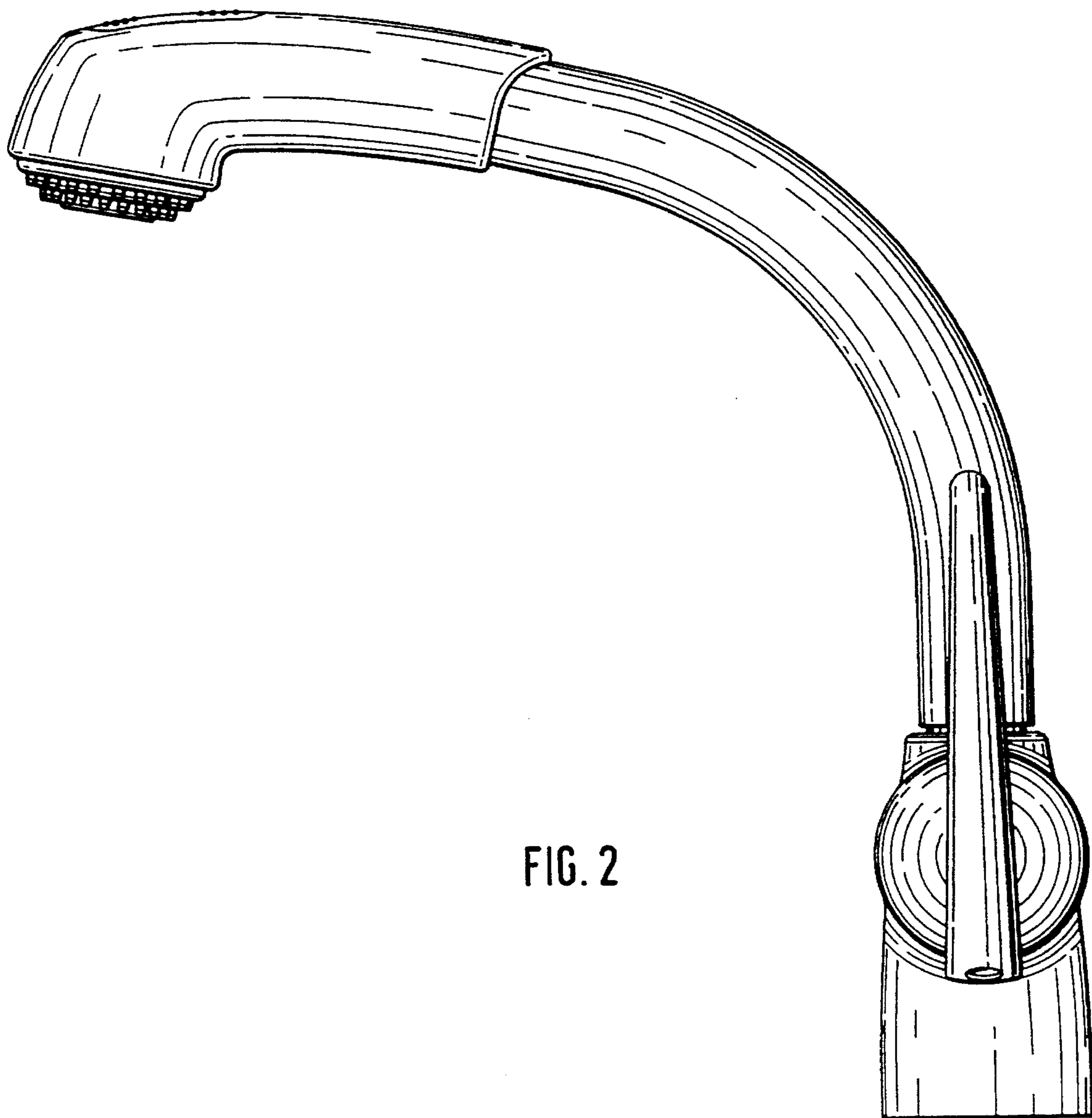


FIG. 2

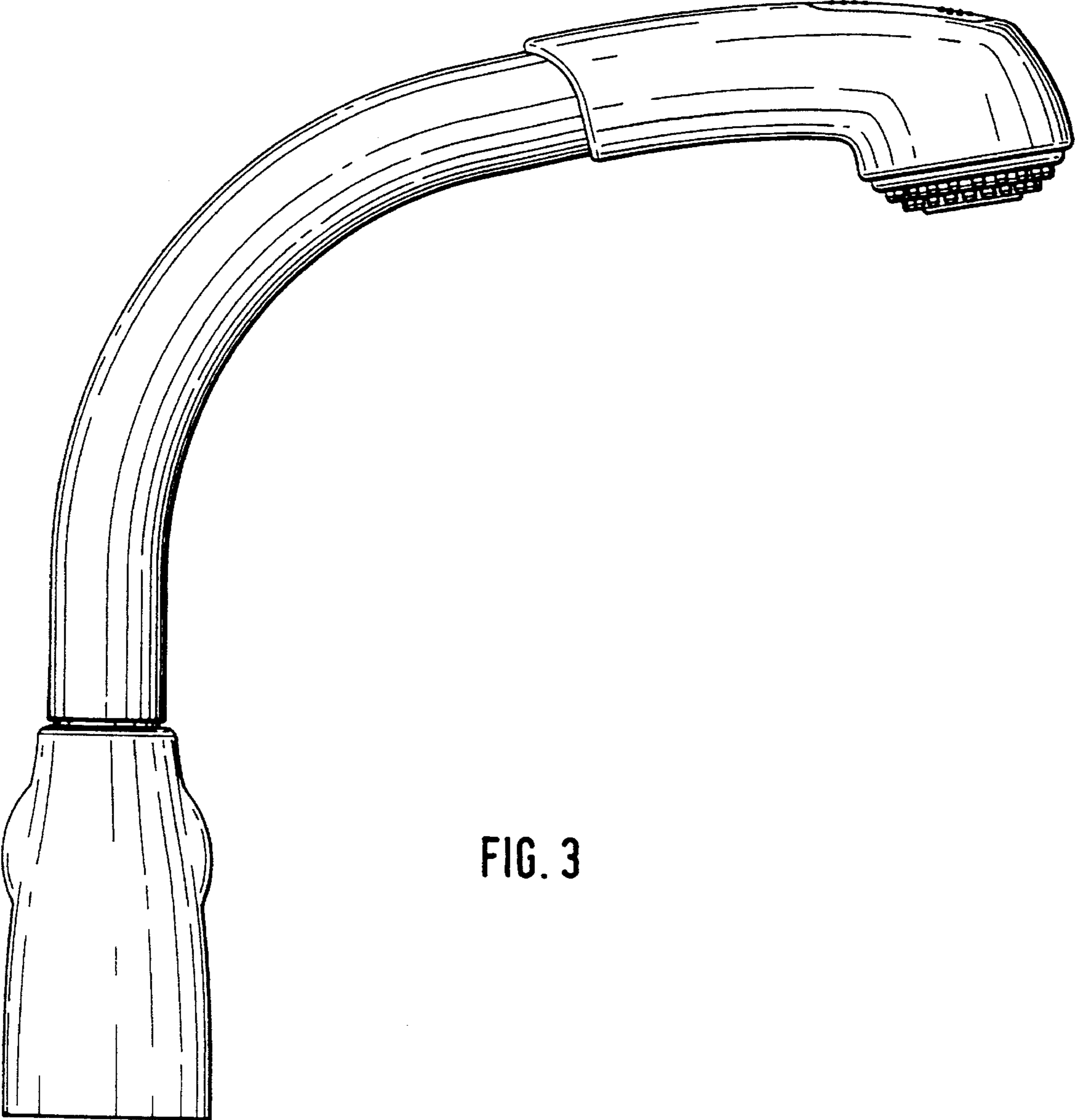


FIG. 3

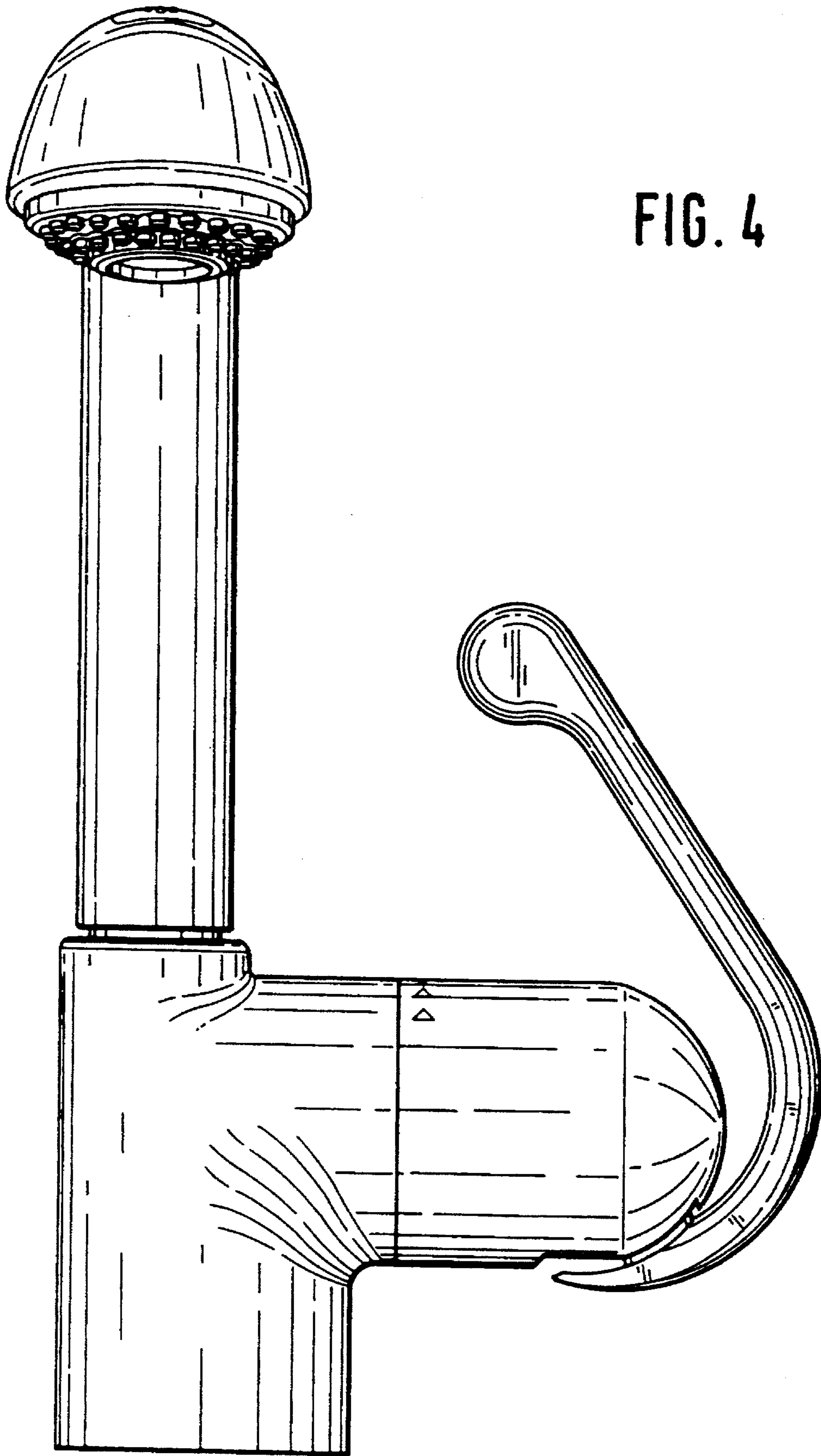
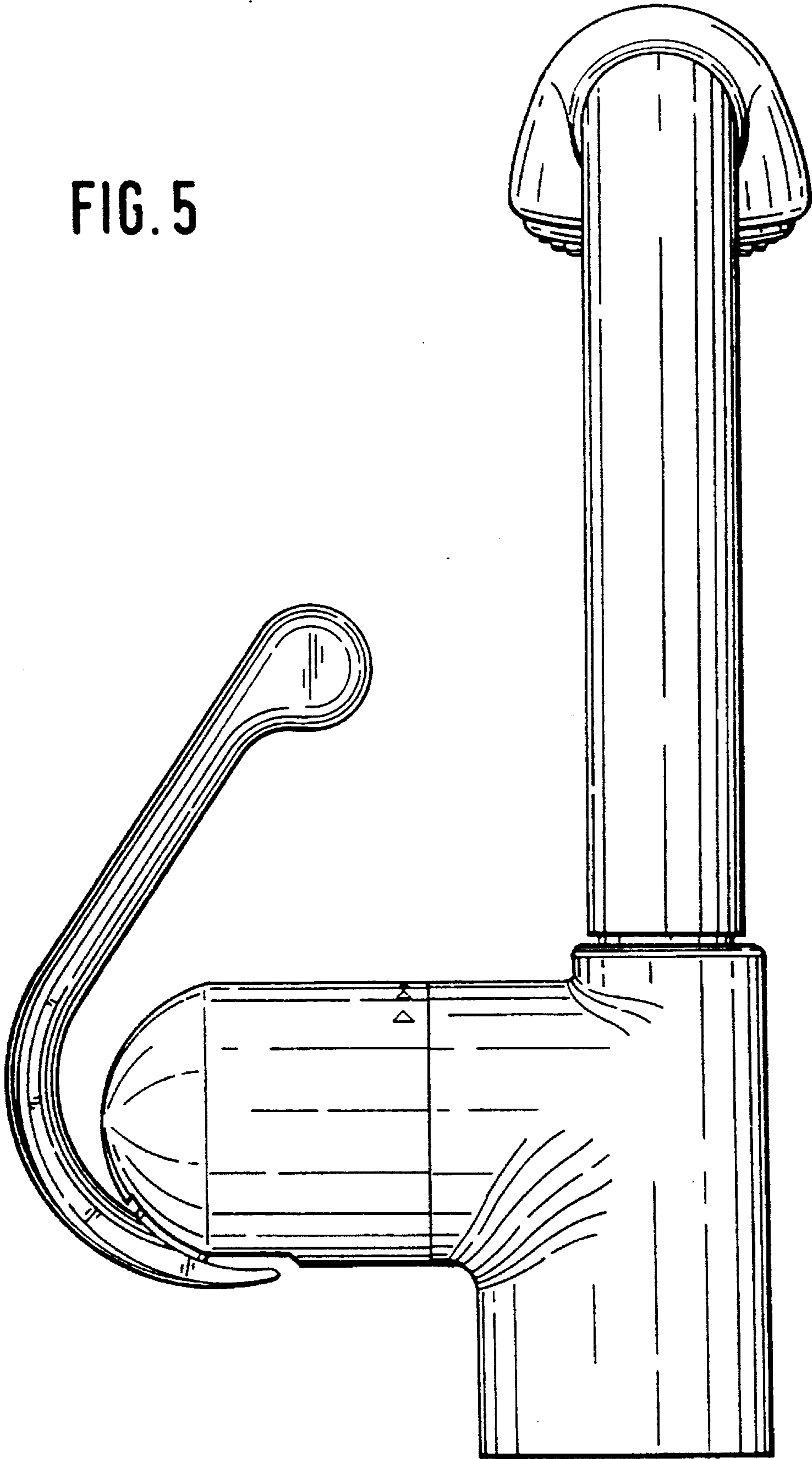


FIG. 4

FIG. 5



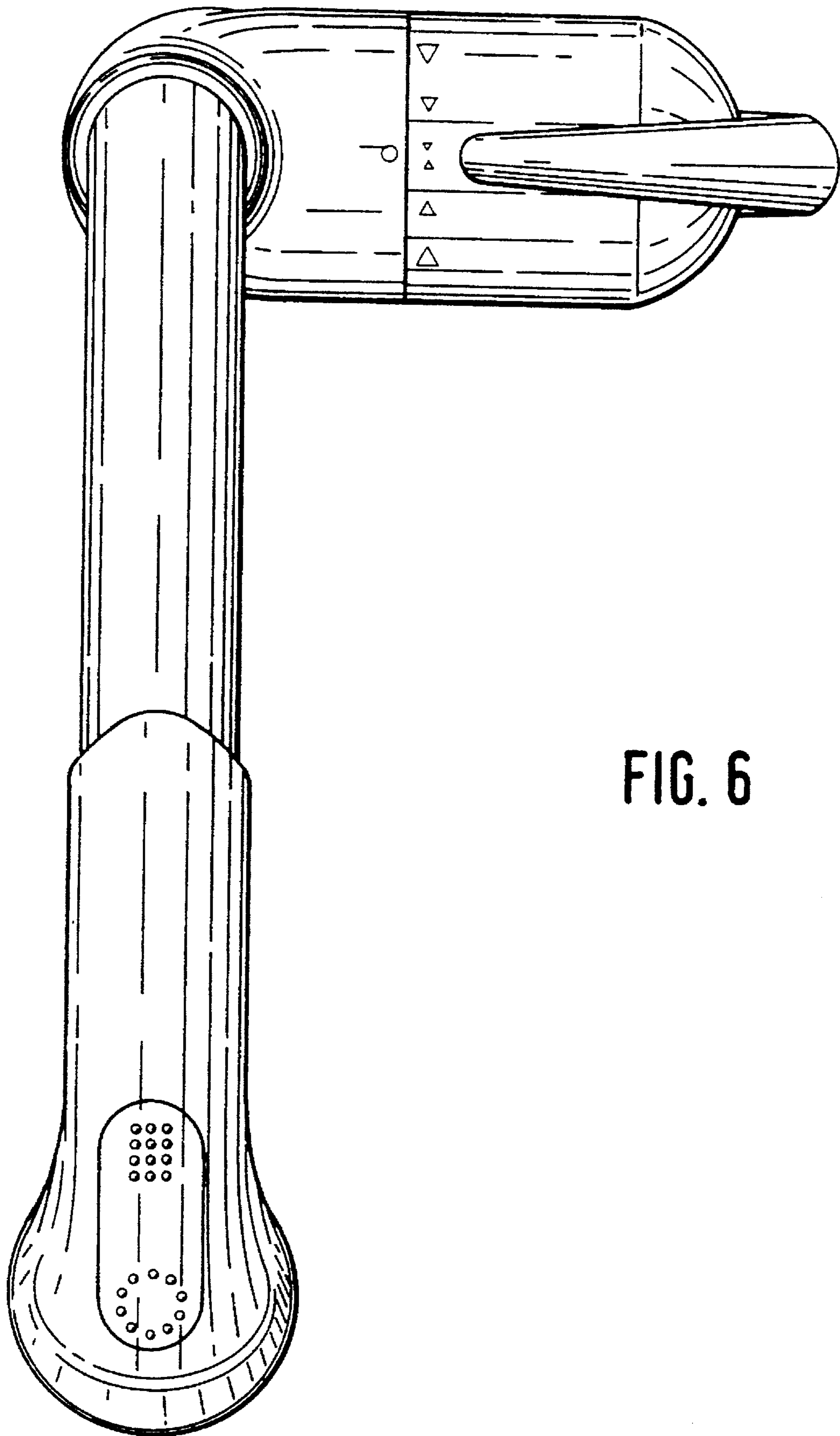


FIG. 6

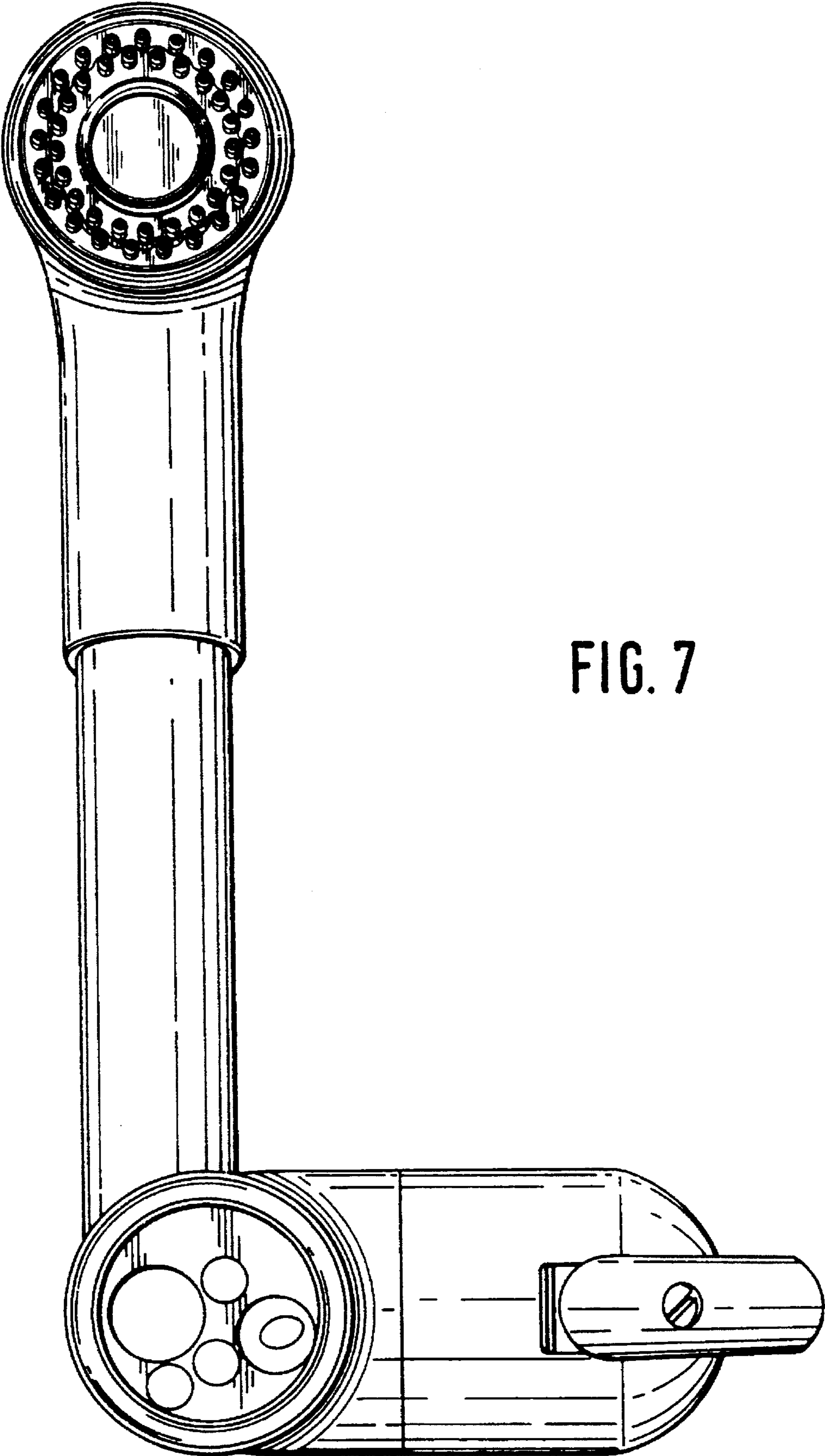


FIG. 7