



US00D366097S

# United States Patent [19] Gottwald

[11] Patent Number: **Des. 366,097**

[45] Date of Patent: **\*\*Jan. 9, 1996**

[54] **WALL-MOUNTED FAUCET**

D. 293,599 1/1988 Bergmann et al. .... D23/238  
D. 312,118 11/1990 Son ..... D23/238

[75] Inventor: **Adolf Gottwald**, Iserlohn, Germany

*Primary Examiner*—Stella Reid  
*Assistant Examiner*—Eric Watterson  
*Attorney, Agent, or Firm*—Herbert Dubno

[73] Assignee: **Friedrich Grohe Aktiengesellschaft**,  
Hemer, Germany

[\*\*] Term: **14 Years**

[57] **CLAIM**

[21] Appl. No.: **36,894**

The ornamental design for a wall-mounted faucet, as shown and described.

[22] Filed: **Mar. 30, 1995**

### DESCRIPTION

[30] **Foreign Application Priority Data**

FIG. 1 is a top, front, left-side perspective view of a wall-mounted faucet showing my new design;  
FIG. 2 is a left side elevational view, the opposite side being a mirror image thereof;  
FIG. 3 is a front view thereof;  
FIG. 4 is a bottom view thereof;  
FIG. 5 is a top view thereof; and,  
FIG. 6 is a rear view thereof.

Oct. 31, 1994 [DE] Germany ..... M9408505.6

[52] **U.S. Cl.** ..... **D23/238**

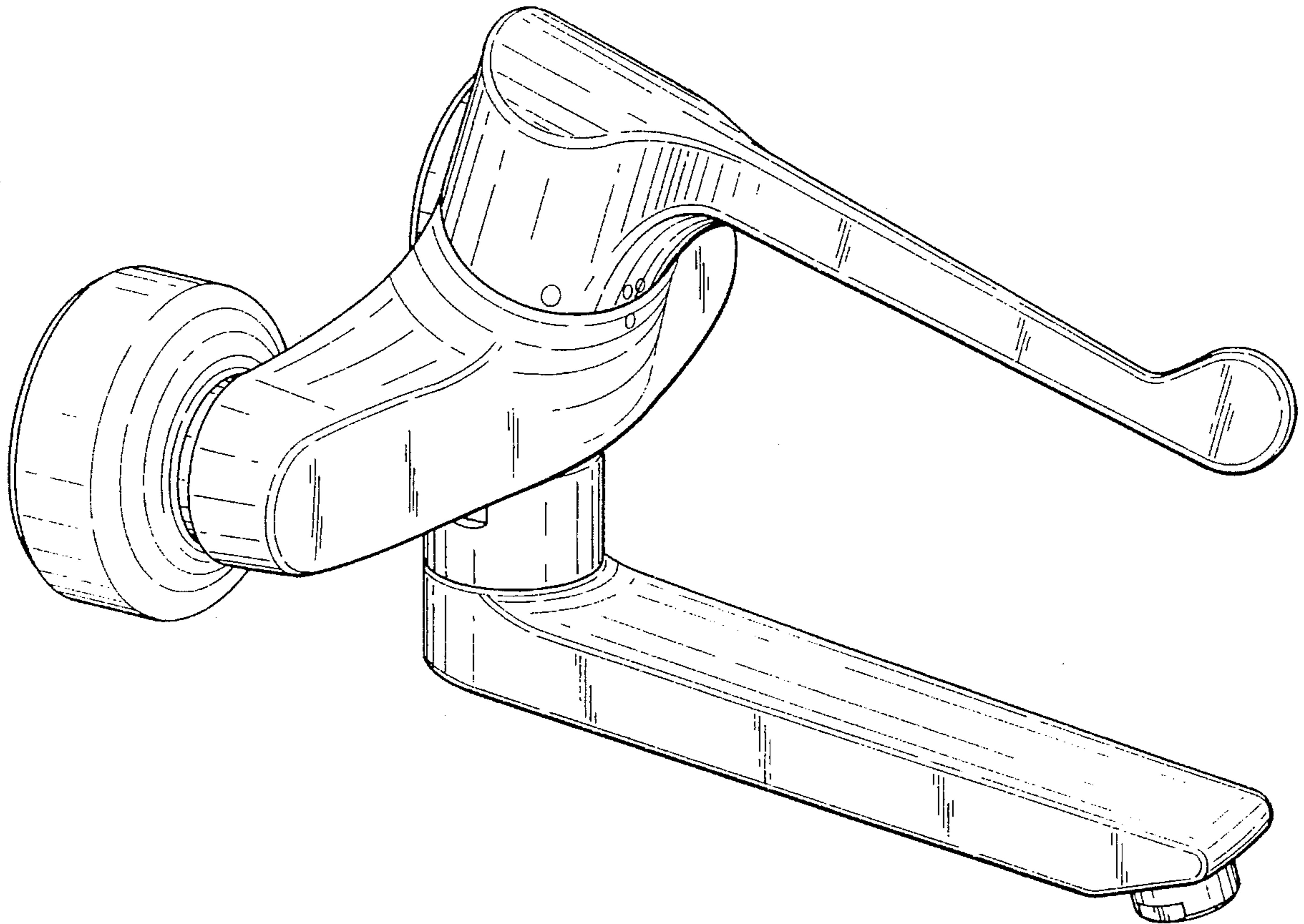
[58] **Field of Search** ..... D23/238-243,  
D23/250-258; 4/623, 675-678; 137/801

[56] **References Cited**

#### U.S. PATENT DOCUMENTS

D. 149,344 4/1948 Fitter ..... D23/240

**1 Claim, 6 Drawing Sheets**



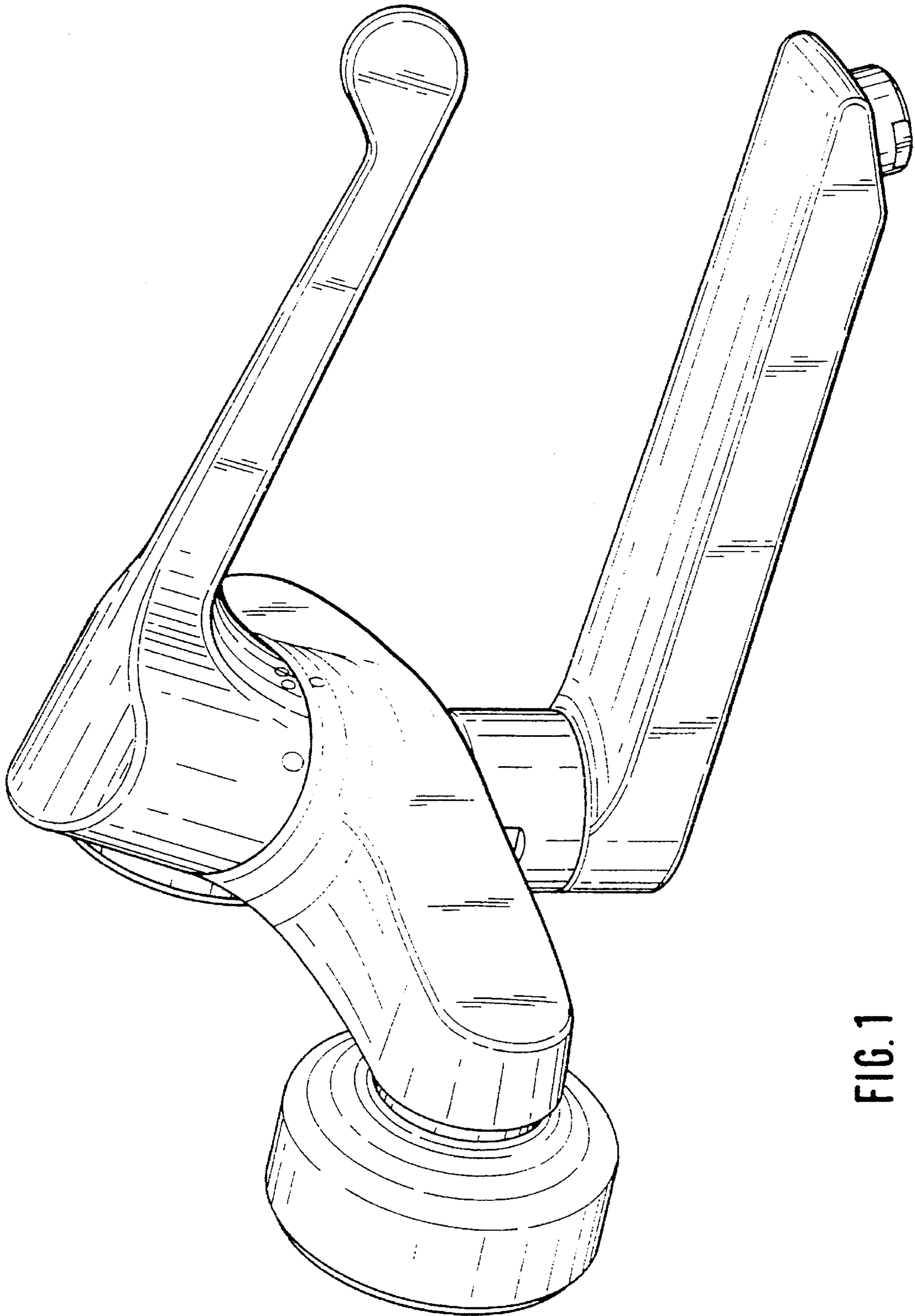
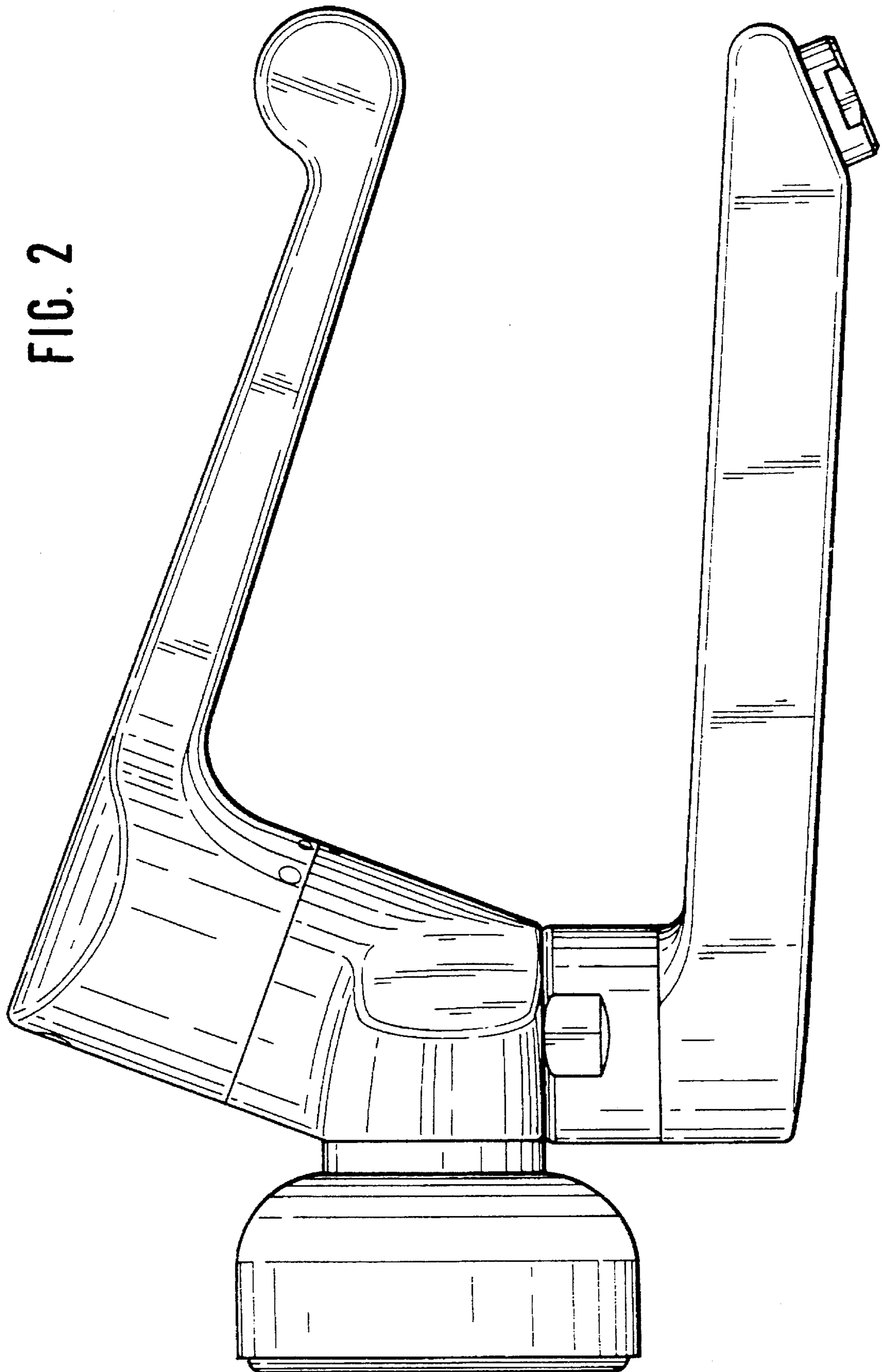


FIG. 1

FIG. 2



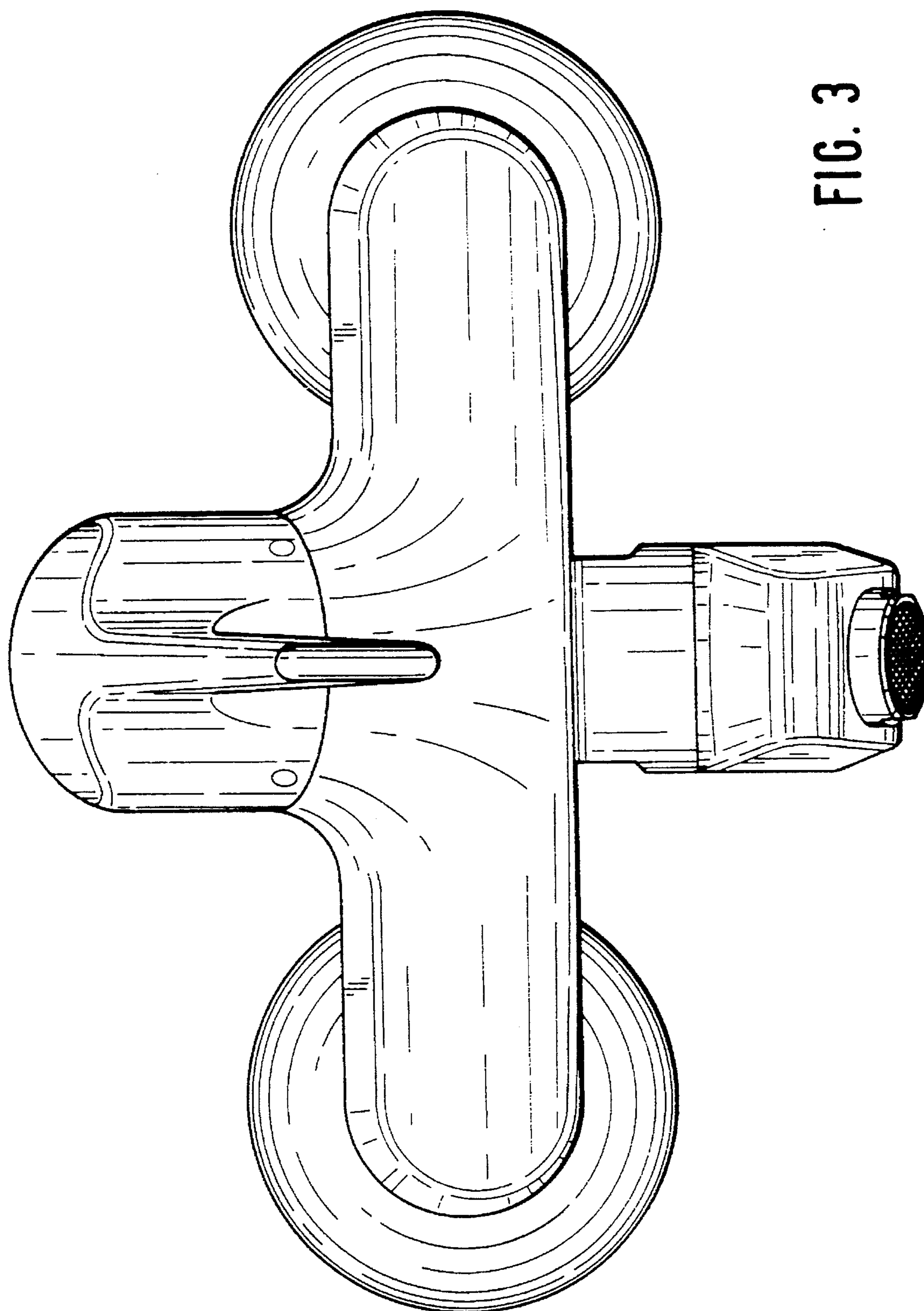


FIG. 3



FIG. 4

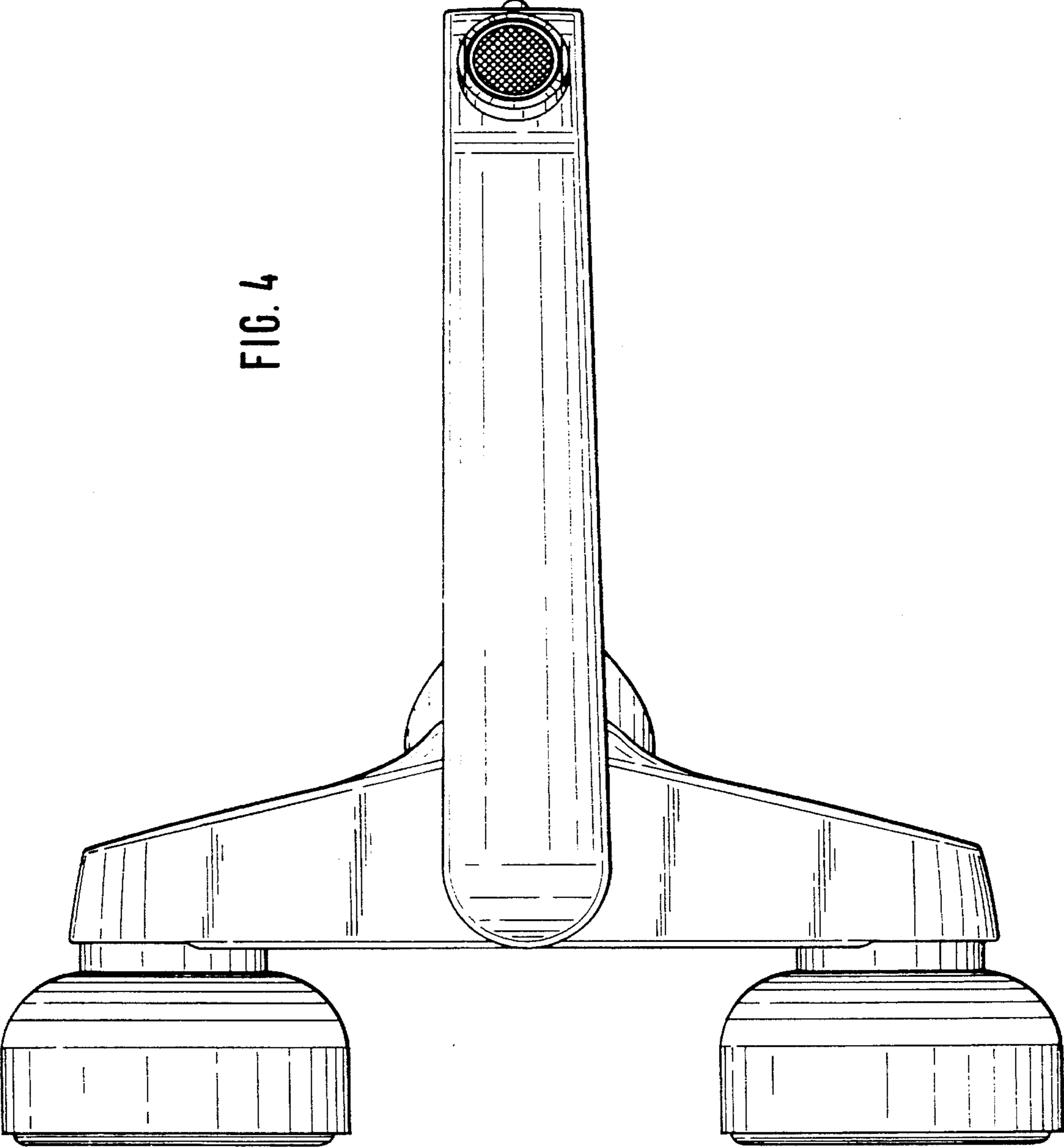
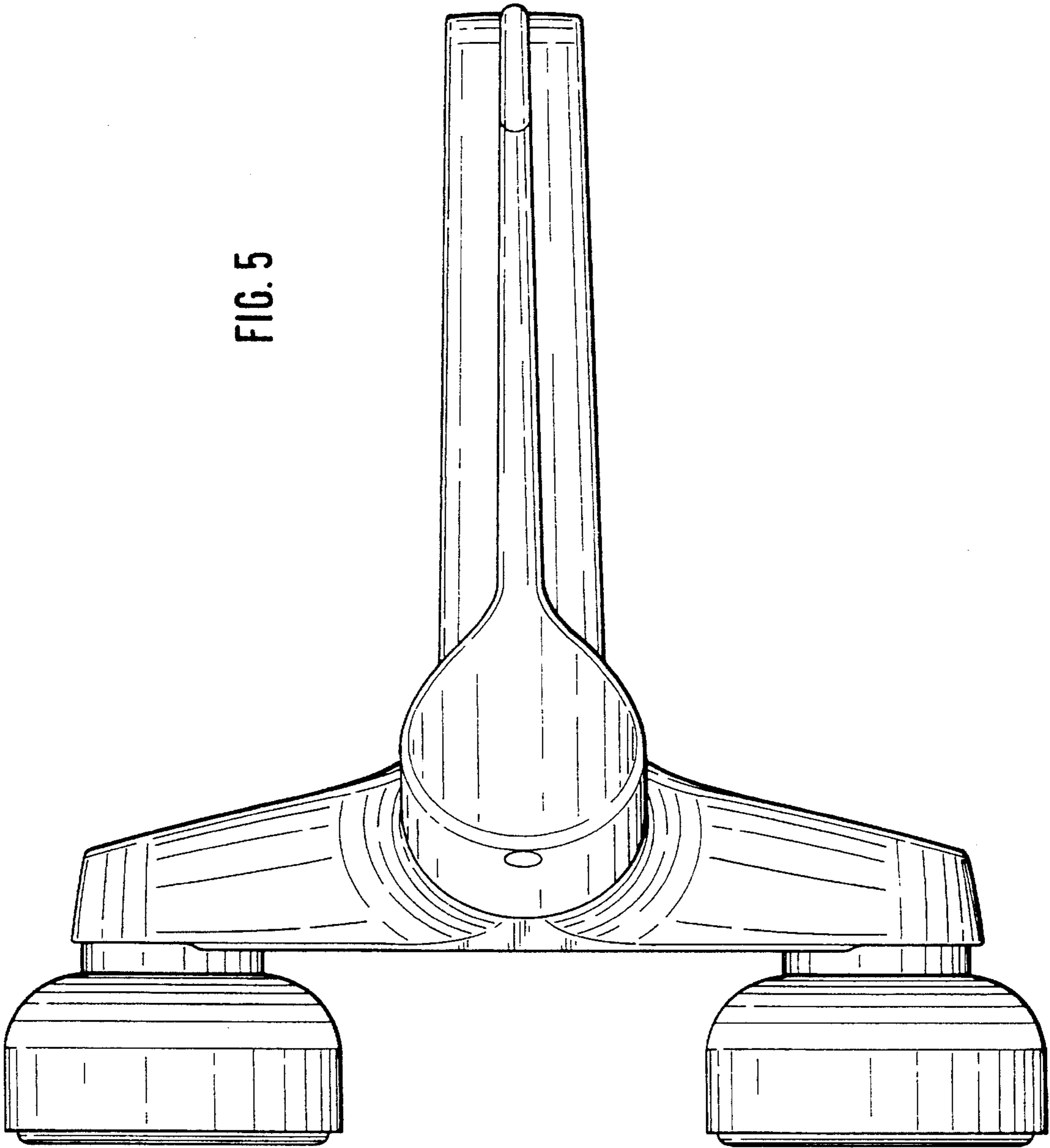


FIG. 5



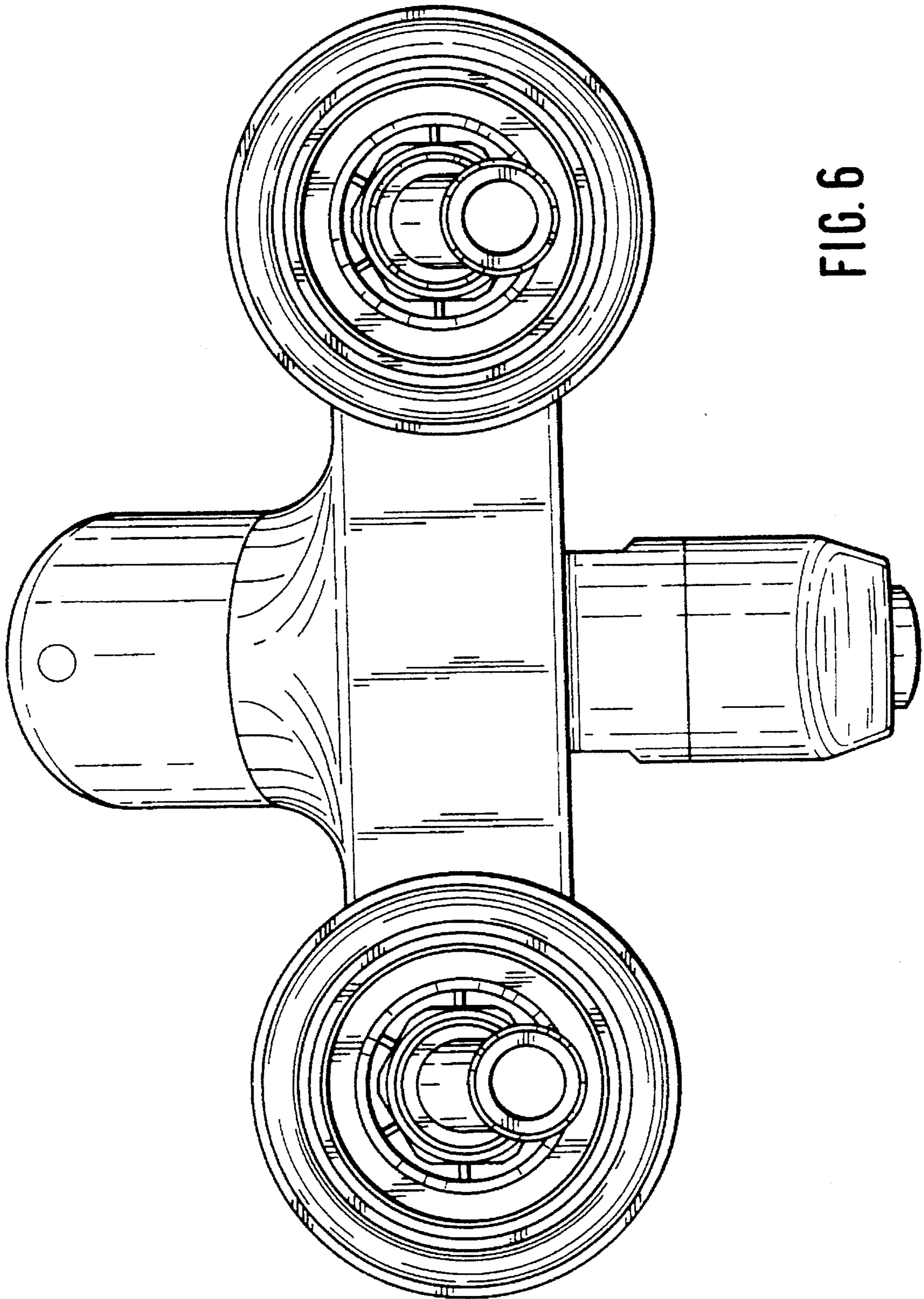


FIG. 6