



US00D366088S

# United States Patent [19] Crawford

[11] Patent Number: **Des. 366,088**

[45] Date of Patent: **\*\*Jan. 9, 1996**

[54] FIREARM LOCK

[76] Inventor: **Theodore E. Crawford**, 1324 W. Arthington, Chicago, Ill. 60607

[\*\*] Term: **14 Years**

[21] Appl. No.: **34,752**

[22] Filed: **Feb. 13, 1995**

[52] U.S. Cl. .... **D22/108**

[58] Field of Search ..... D22/108; 42/70.11, 42/70.07, 70.01; 70/14, 15, 33, 34, 57, 58; D8/330, 333, 335, 338, 341, 343, 344, 347, 348

4,934,083 6/1990 Smith ..... 42/70.07  
 4,995,180 2/1991 Tucker et al. .... 42/70.07  
 5,231,236 7/1993 Del Real et al. .... 42/70.11

*Primary Examiner*—Lou Zarfaz  
*Assistant Examiner*—Monica A. Hannon  
*Attorney, Agent, or Firm*—James A. Hudak

### [57] CLAIM

The ornamental design for a firearm lock, as shown and described.

### DESCRIPTION

FIG. 1 is a perspective view of the firearm lock showing my new design;  
 FIG. 2 is a front elevational view thereof;  
 FIG. 3 is a rear elevational view thereof;  
 FIG. 4 is a right side elevational view thereof;  
 FIG. 5 is a left side elevational view thereof;  
 FIG. 6 is a top plan view thereof; and,  
 FIG. 7 is a bottom plan view thereof.

[56] **References Cited**  
 U.S. PATENT DOCUMENTS

D. 167,330	10/1952	Grindstad .....	D8/330
D. 258,139	2/1981	Behlert .....	D22/108
D. 341,072	11/1993	Bryant .....	D8/336
3,154,874	11/1964	Stewart .....	42/70.11
4,048,741	9/1977	Chiodo et al. ....	42/70.11

**1 Claim, 3 Drawing Sheets**

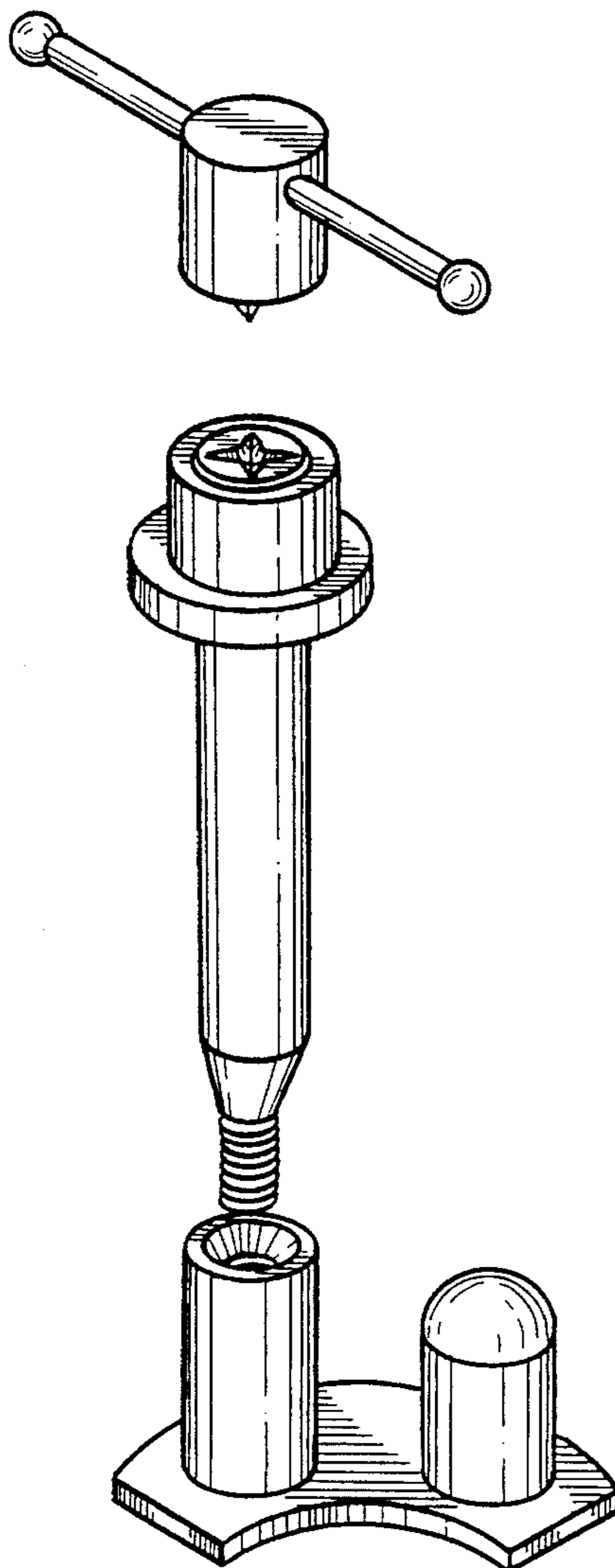


FIG. 1.

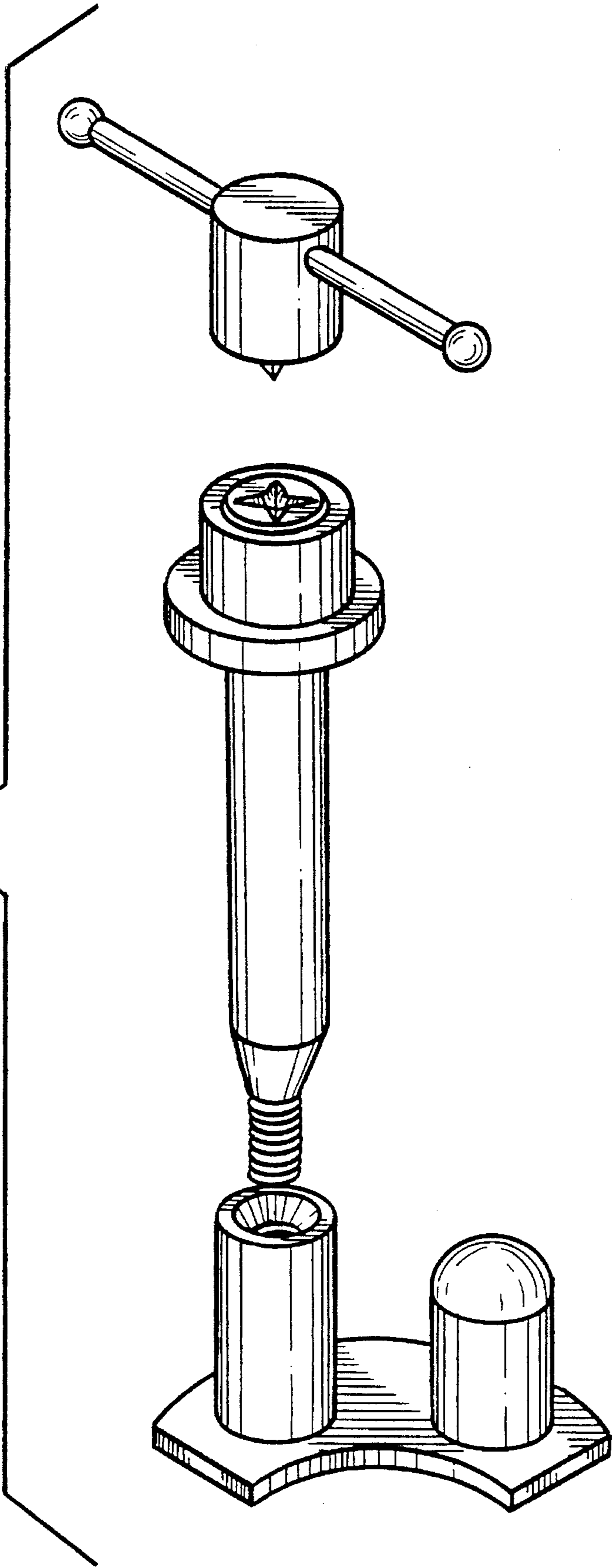


FIG. 2.

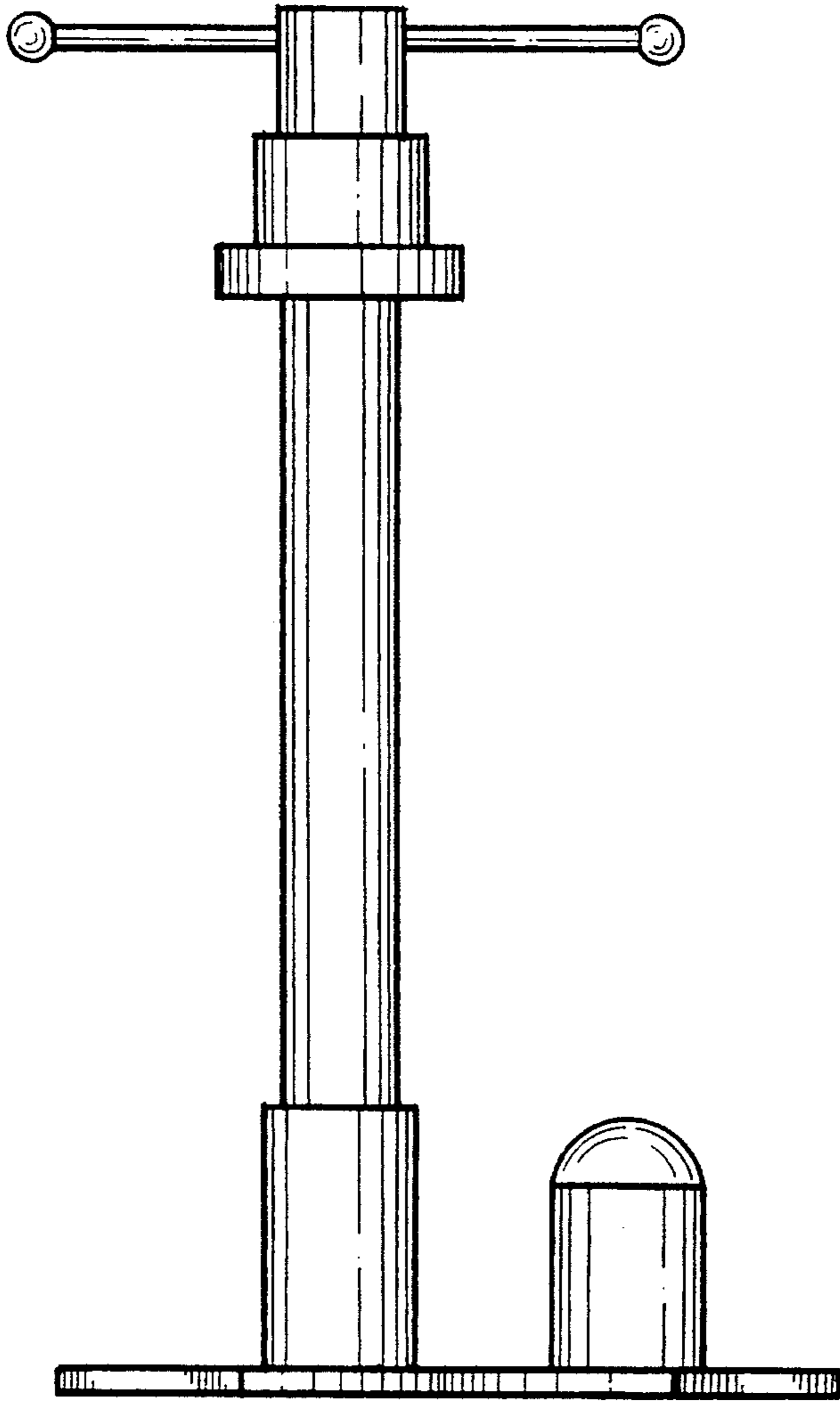


FIG. 4.

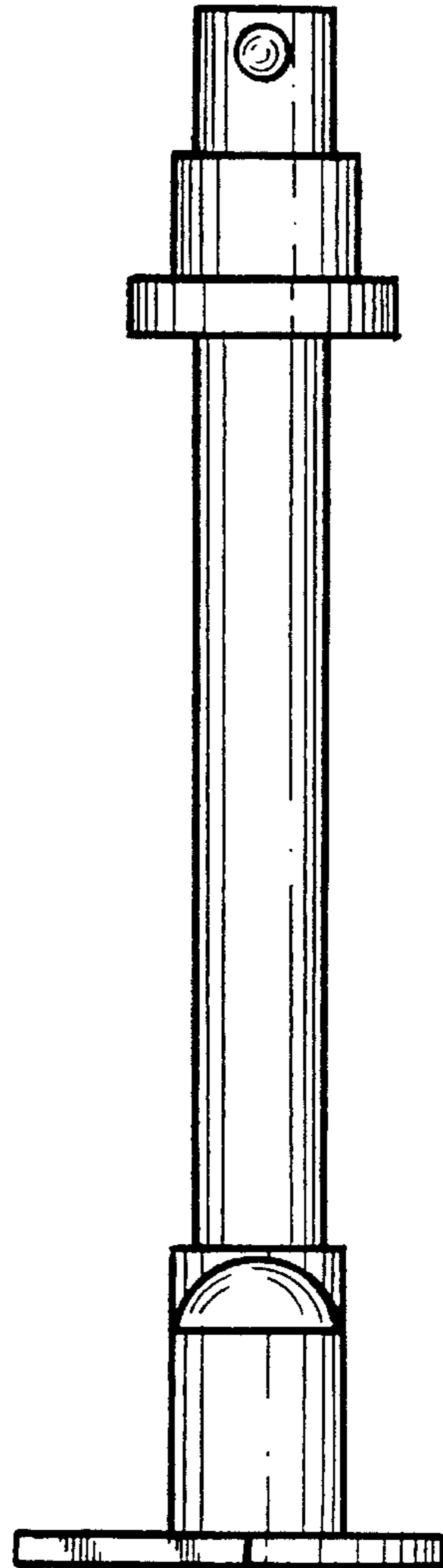


FIG. 6.

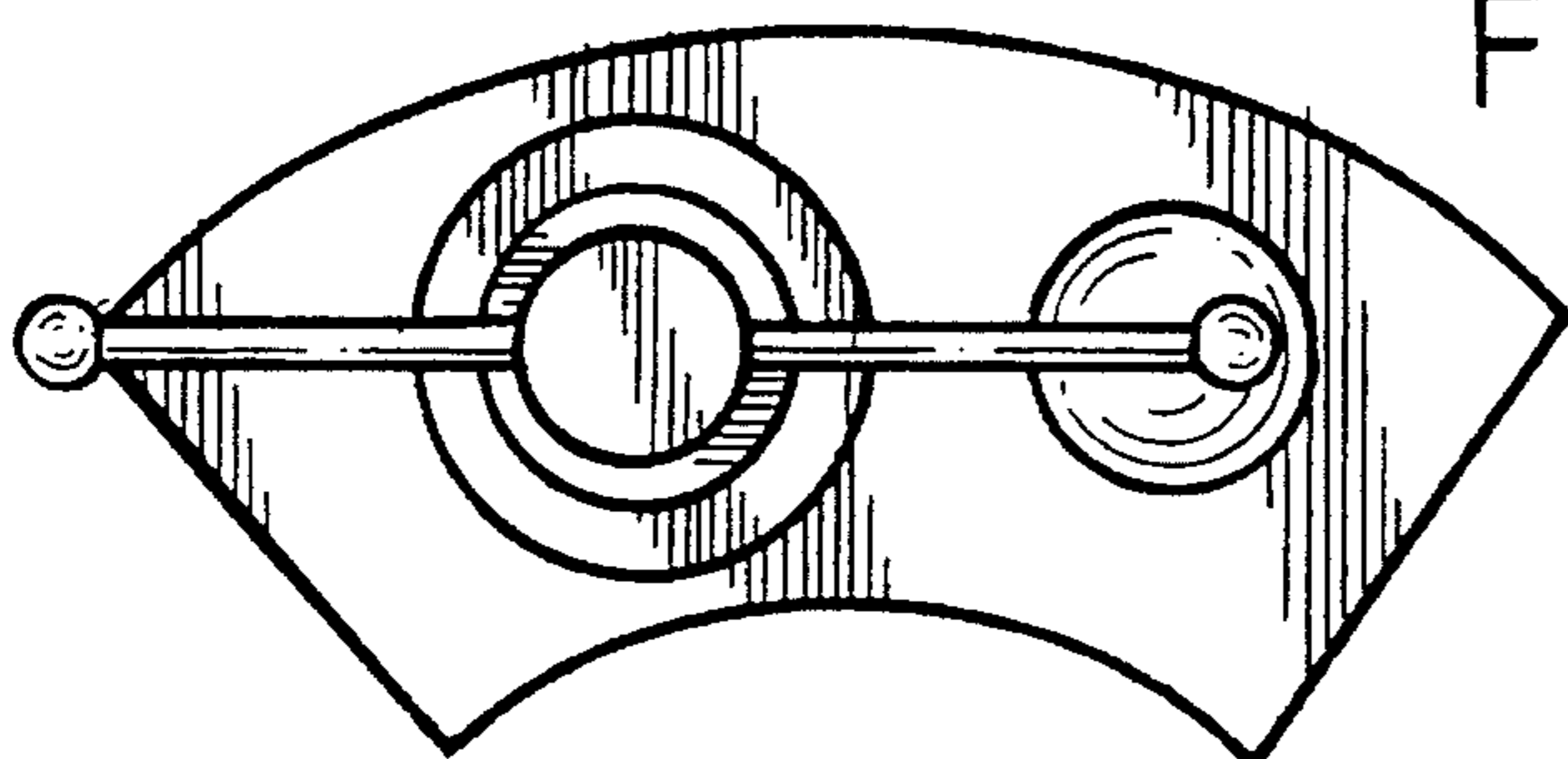


FIG. 5 .

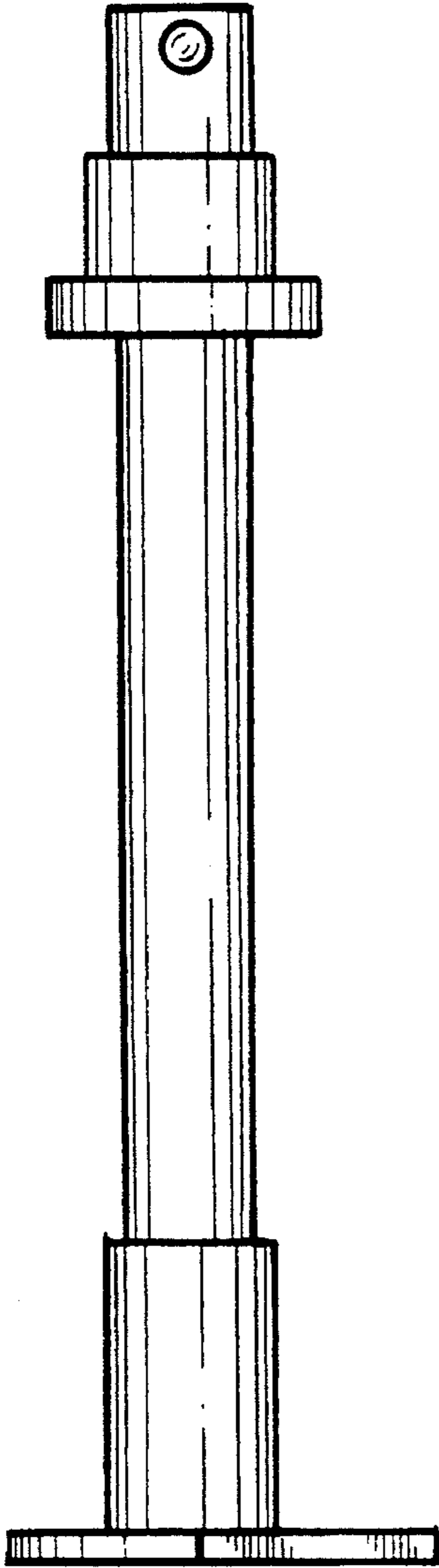


FIG. 3 .

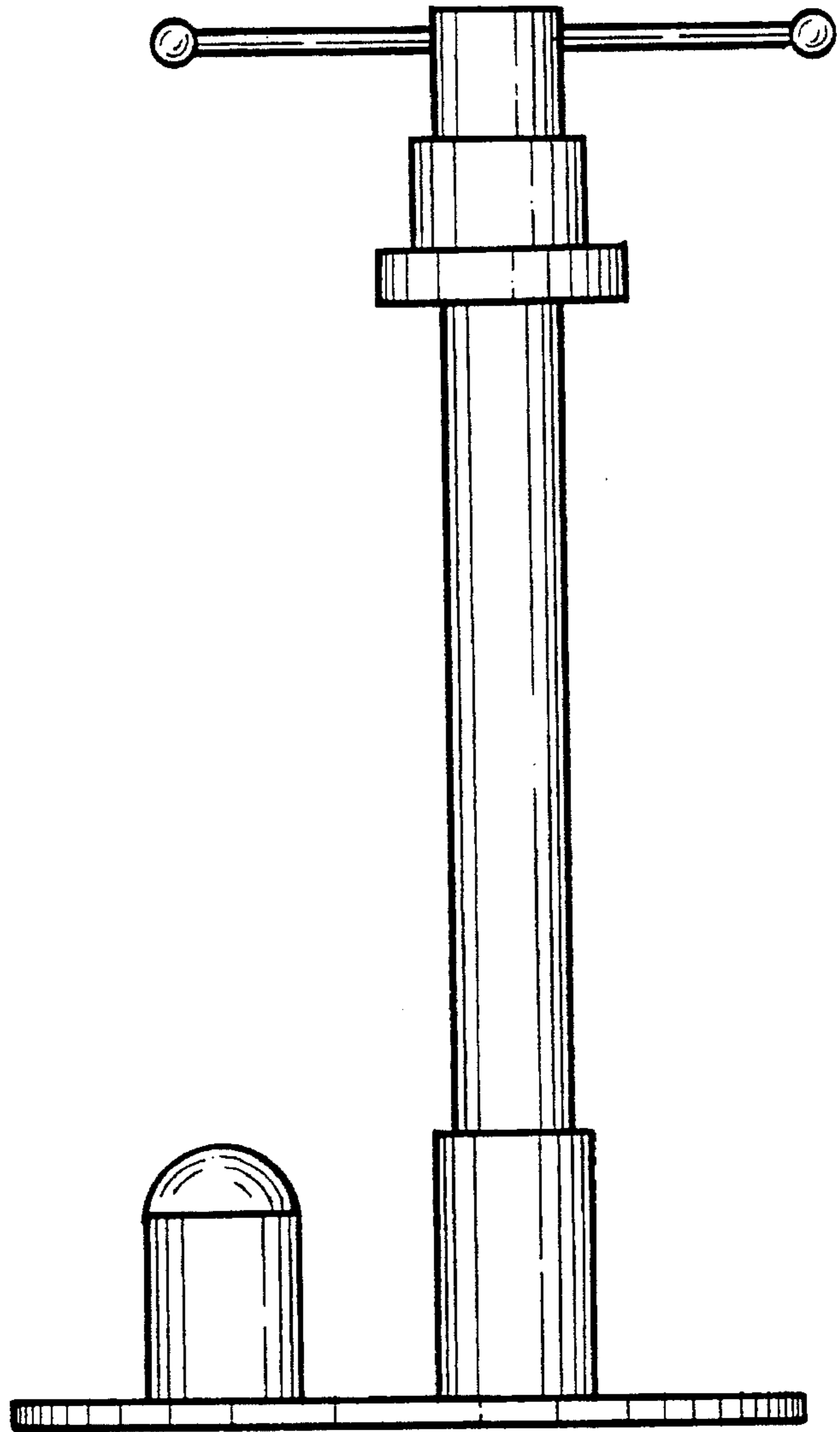


FIG. 7 .

