



US00D366087S

**United States Patent** [19]  
**Gildark**

[11] **Patent Number: Des. 366,087**

[45] **Date of Patent: \*\*Jan. 9, 1996**

[54] **CALIBER-CONVERTER**

*Primary Examiner*—Antoine Duval Davis

[76] Inventor: **Doug Gildark**, 1-A Tiger Dr., Carson City, Nev. 89706

[57] **CLAIM**

[\*\*] Term: **14 Years**

The ornamental design for a caliber-converter, as shown and described.

[21] Appl. No.: **31,938**

**DESCRIPTION**

[22] Filed: **Dec. 8, 1994**

[52] U.S. Cl. .... **D22/108**

[58] Field of Search ..... D22/108; 42/16, 42/25, 49.02

FIG. 1 is a front elevational view of the caliber-converter showing my new design;

FIG. 2 is a rear elevational view thereof;

FIG. 3 is a left side elevational view thereof;

FIG. 4 is a right side elevational view thereof;

FIG. 5 is a top plan view thereof;

FIG. 6 is a bottom plan view thereof; and,

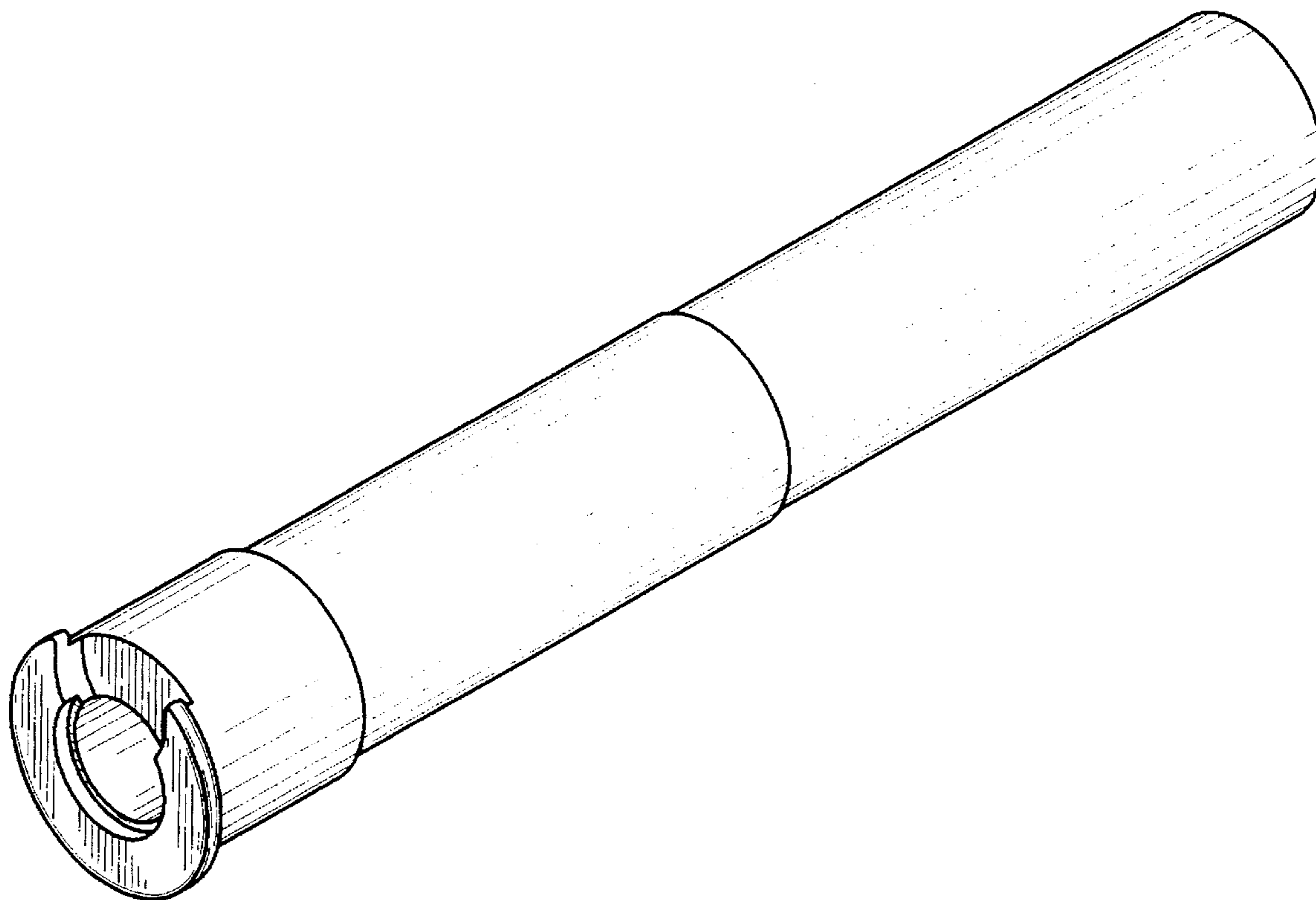
FIG. 7 is an isometric view thereof.

[56] **References Cited**

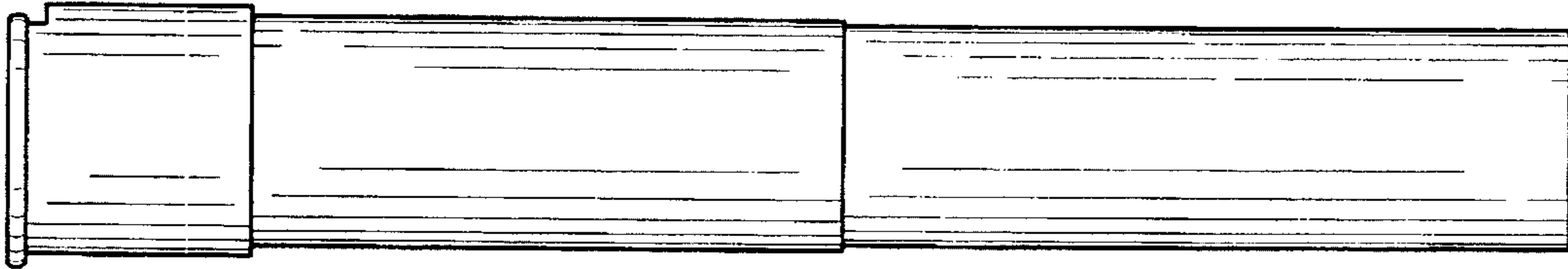
**U.S. PATENT DOCUMENTS**

D. 274,927	7/1984	Child	.....	D22/108
3,371,440	3/1968	Cassell	.....	42/49.02
3,777,383	12/1973	Haines et al.	.....	42/49.02

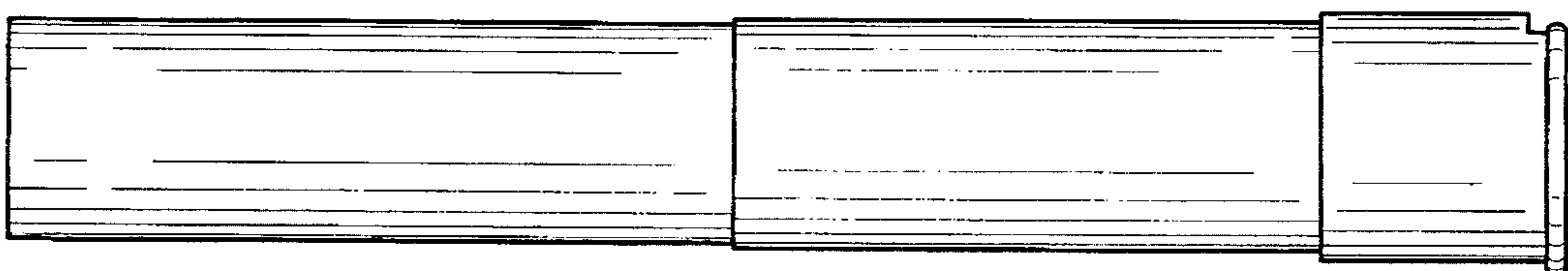
**1 Claim, 4 Drawing Sheets**



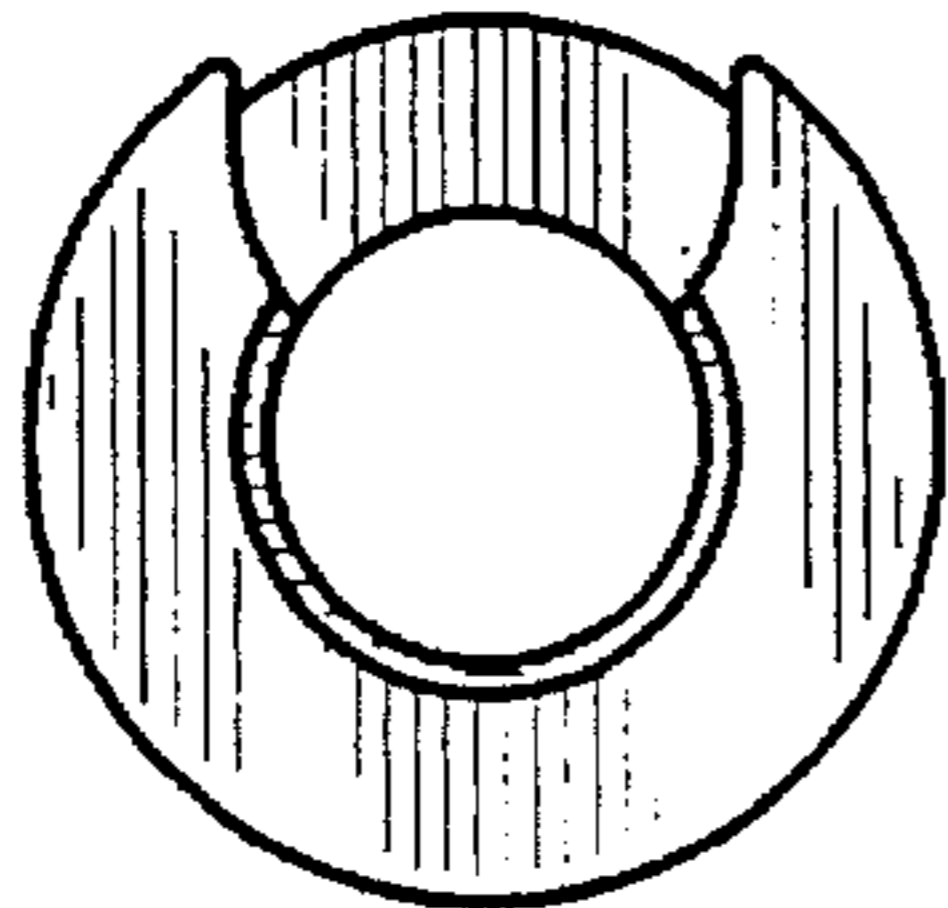
*FIG. 1*



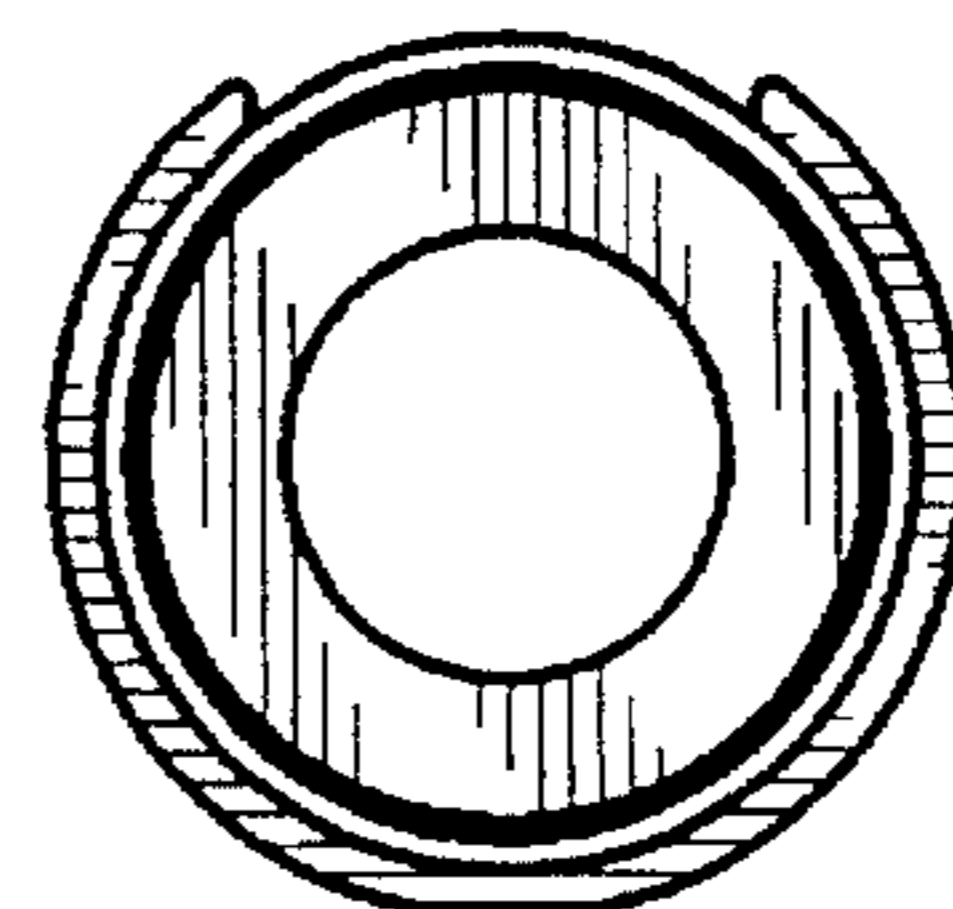
*FIG. 2*



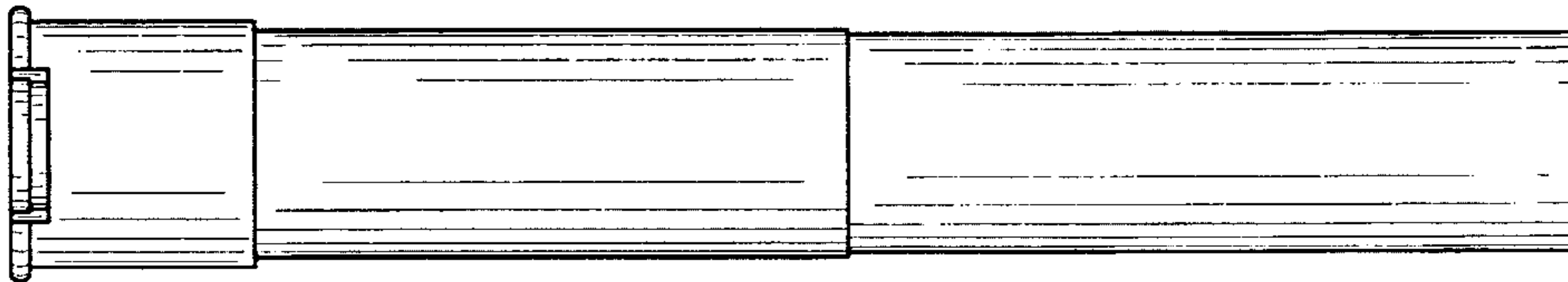
*FIG. 3*



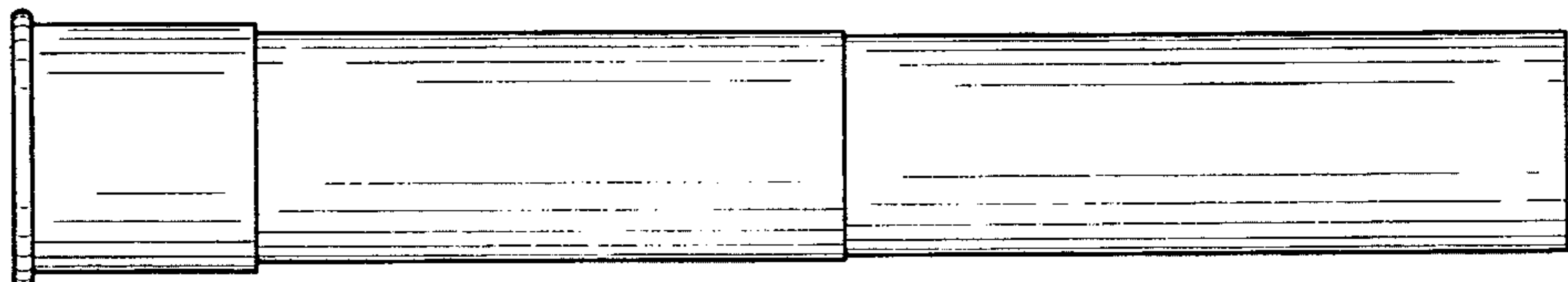
*FIG. 4*



*FIG. 5*



*FIG. 6*



*FIG. 7*

