



US00D366085S

United States Patent [19]

[11] Patent Number: **Des. 366,085**

Millington et al.

[45] Date of Patent: ****Jan. 9, 1996**

[54] **INFLATABLE EXERCISE AND PLAY APPARATUS**

3,460,828 8/1969 Curlee .
4,077,623 3/1978 Clausell .

[75] Inventors: **Charles J. Millington**, Lakeville, Mass.; **Melissa M. Morgan**, Little Compton, R.I.

OTHER PUBLICATIONS

Sea Eagle; 1985; p. 17; Swimming pool, upper left of page.

[73] Assignee: **Hasbro, Inc.**, Pawtucket, R.I.

Primary Examiner—Prabhakar G. Deshmukh

Assistant Examiner—Mitchell I. Siegel

Attorney, Agent, or Firm—Kurt R. Benson

[**] Term: **14 Years**

[57] CLAIM

[21] Appl. No.: **40,140**

The ornamental design for a inflatable exercise and play apparatus, as shown.

[22] Filed: **Jun. 12, 1995**

[52] U.S. Cl. **D21/242**

DESCRIPTION

[58] **Field of Search** D21/240, 242,
D21/249, 235, 60; 472/134, 135; 446/220-226;
482/26, 27, 77

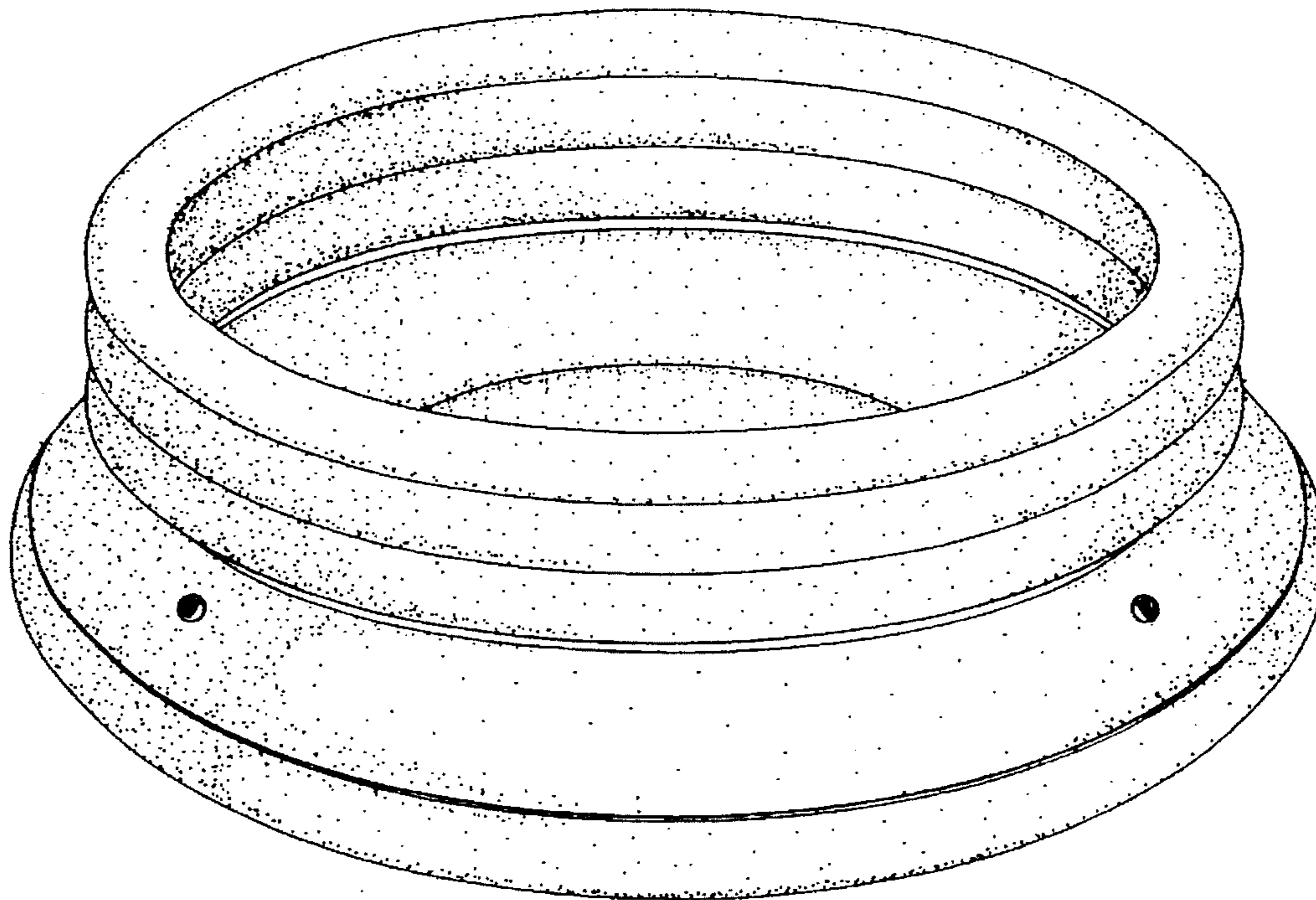
FIG. 1 is a top perspective view of an inflatable exercise and play apparatus showing our new design;
FIG. 2 is a top plan view thereof;
FIG. 3 is a bottom plan view thereof;
FIG. 4 is a rear elevational view thereof;
FIG. 5 is a front elevational view thereof;
FIG. 6 is a left side elevational view thereof; and,
FIG. 7 is a right side elevational view thereof.

[56] References Cited

U.S. PATENT DOCUMENTS

D. 290,275 6/1987 Kamensky D21/66 X
D. 318,895 8/1991 Kuan D21/252
1,738,411 12/1929 Welch .
2,978,243 4/1961 Gabrielson .

1 Claim, 3 Drawing Sheets



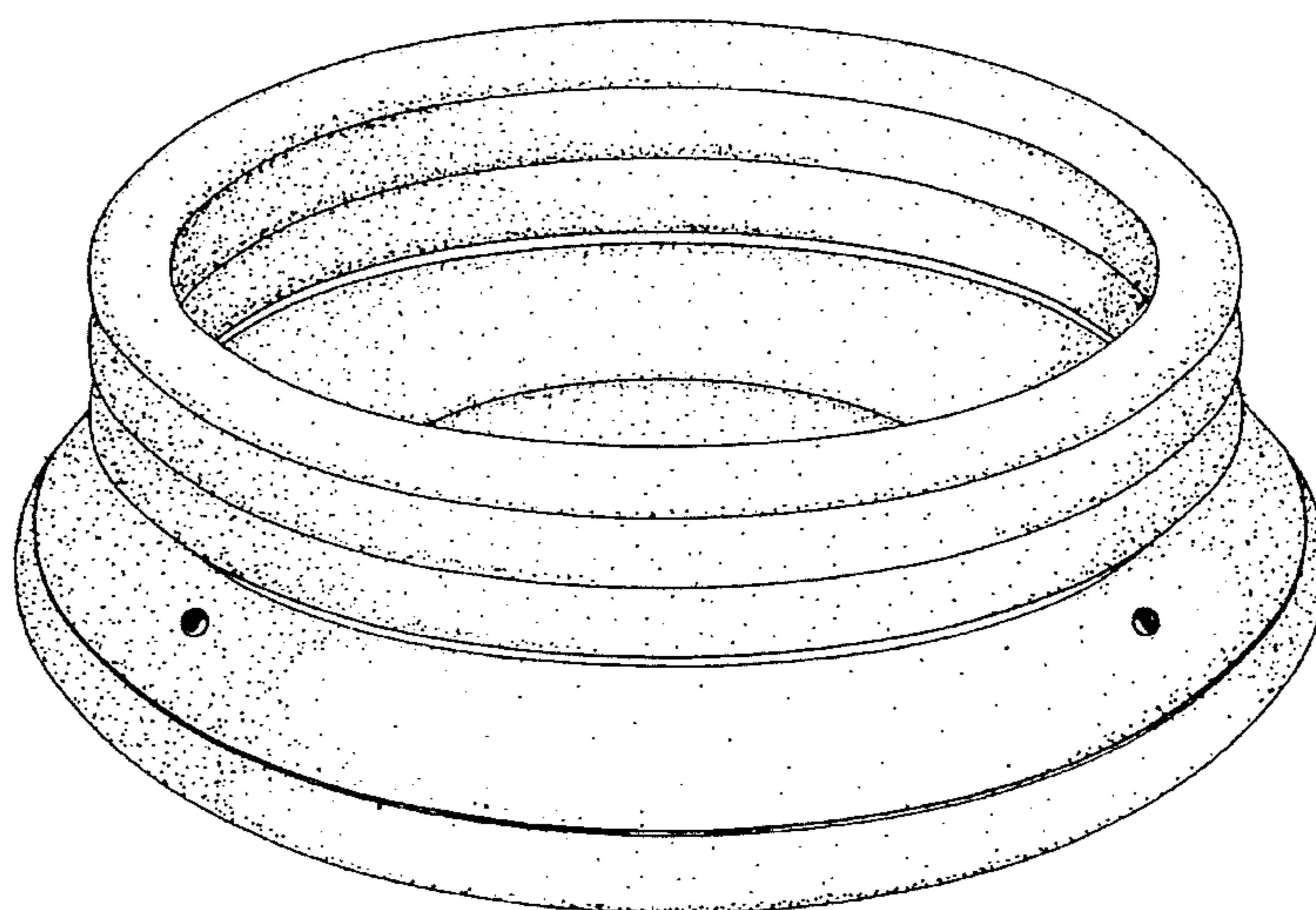


FIG. 1

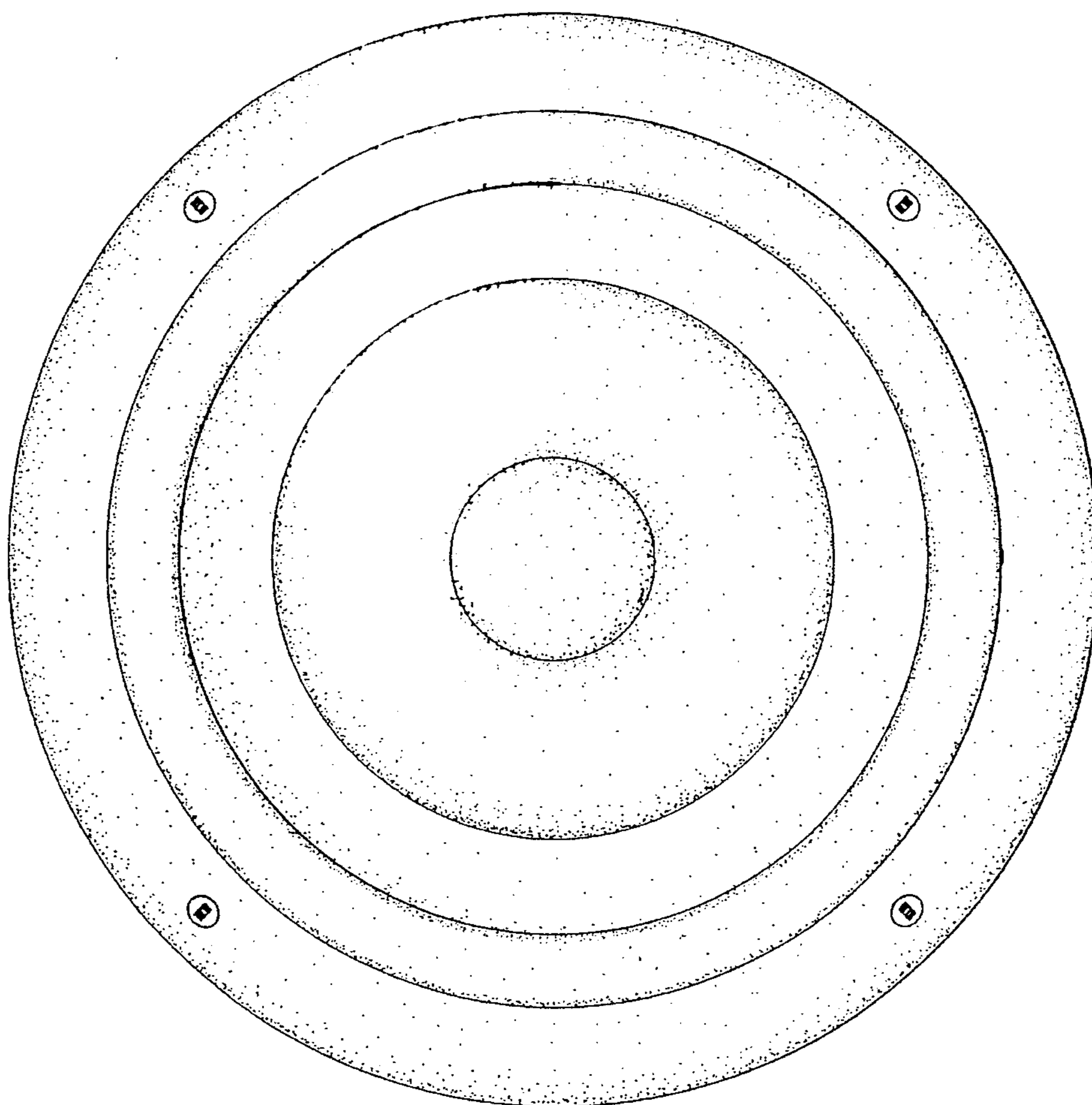


FIG. 2

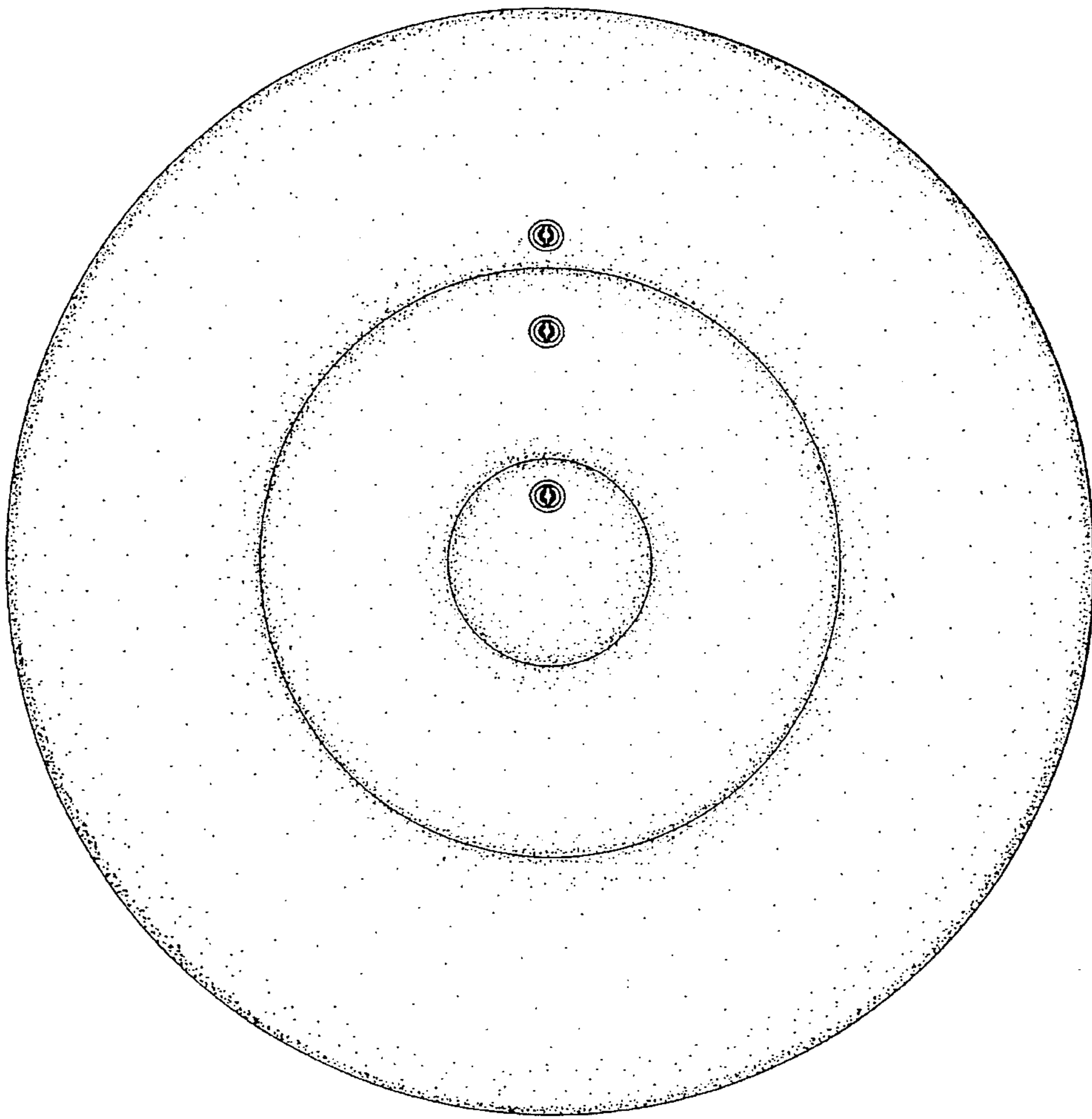


FIG. 3

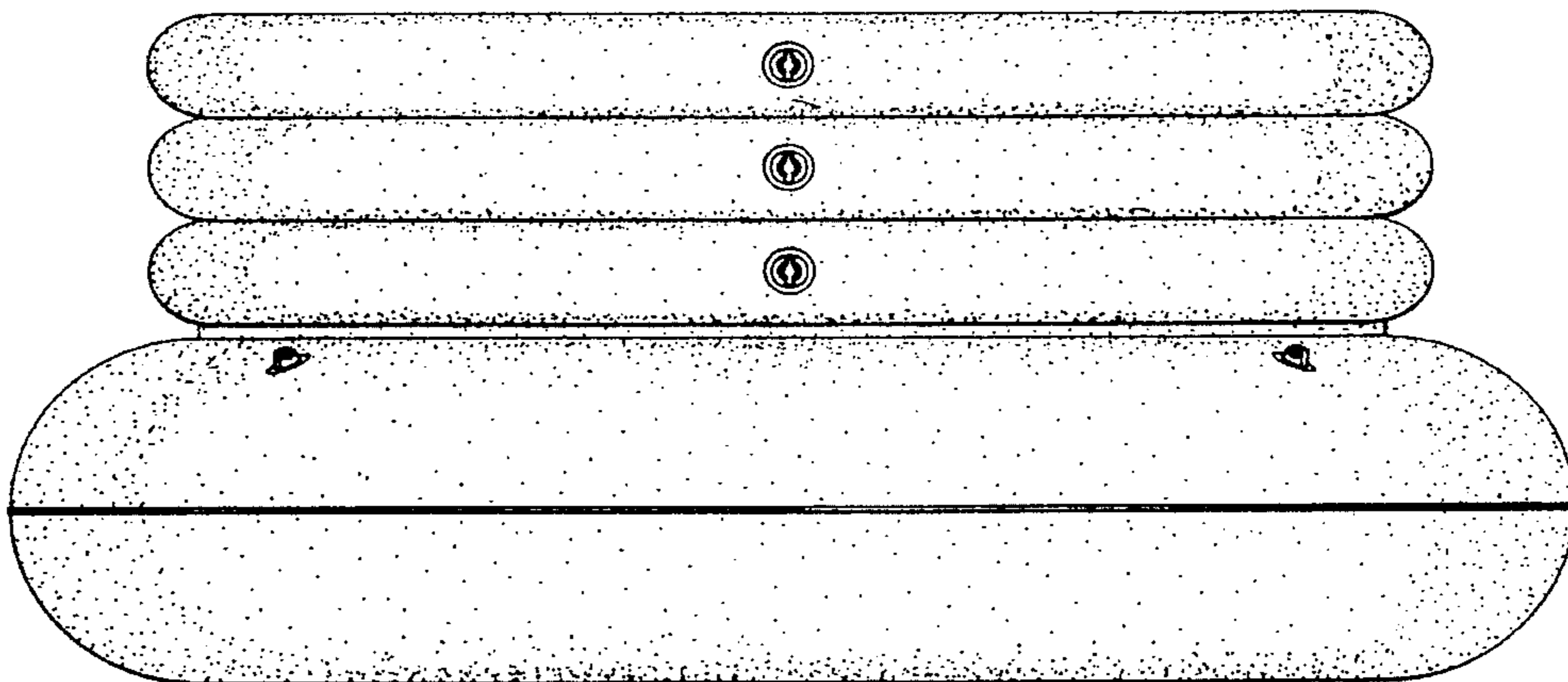


FIG. 4

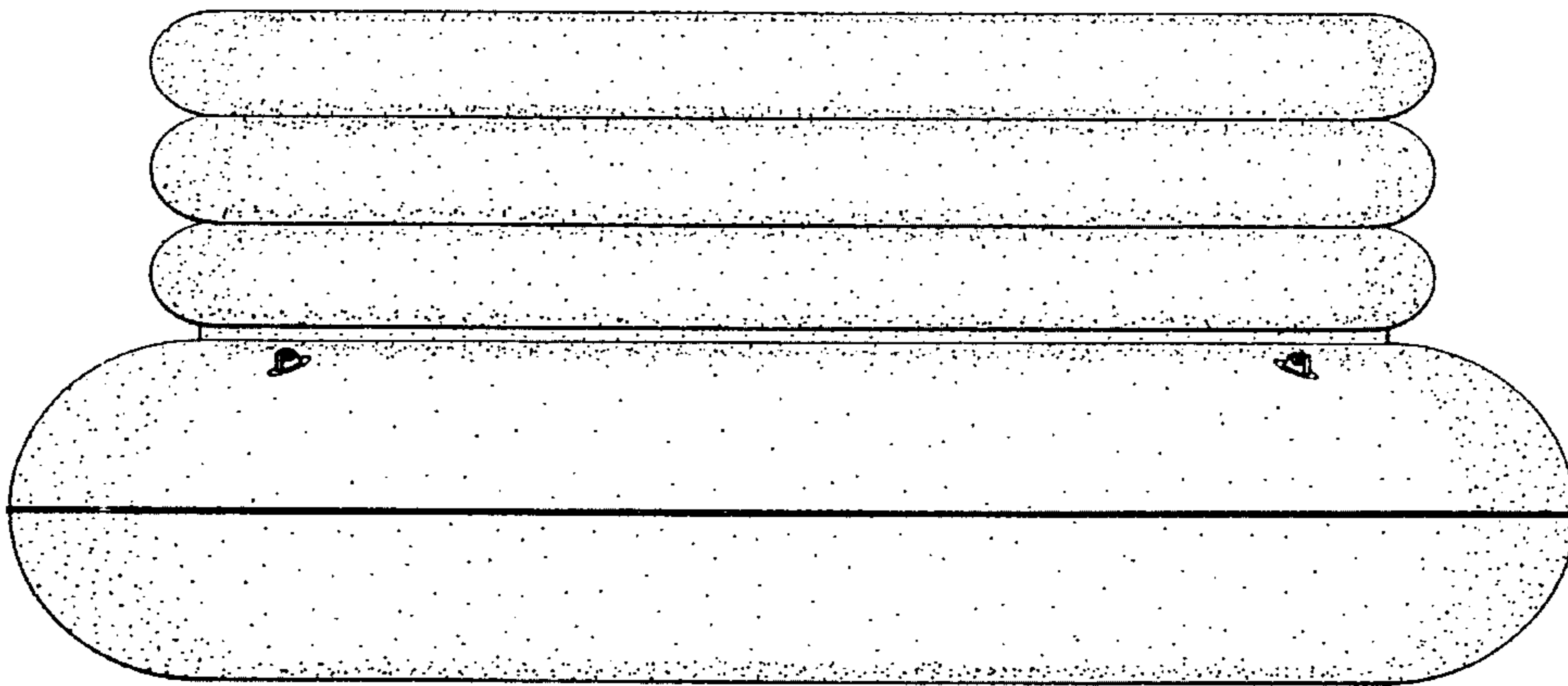


FIG. 5

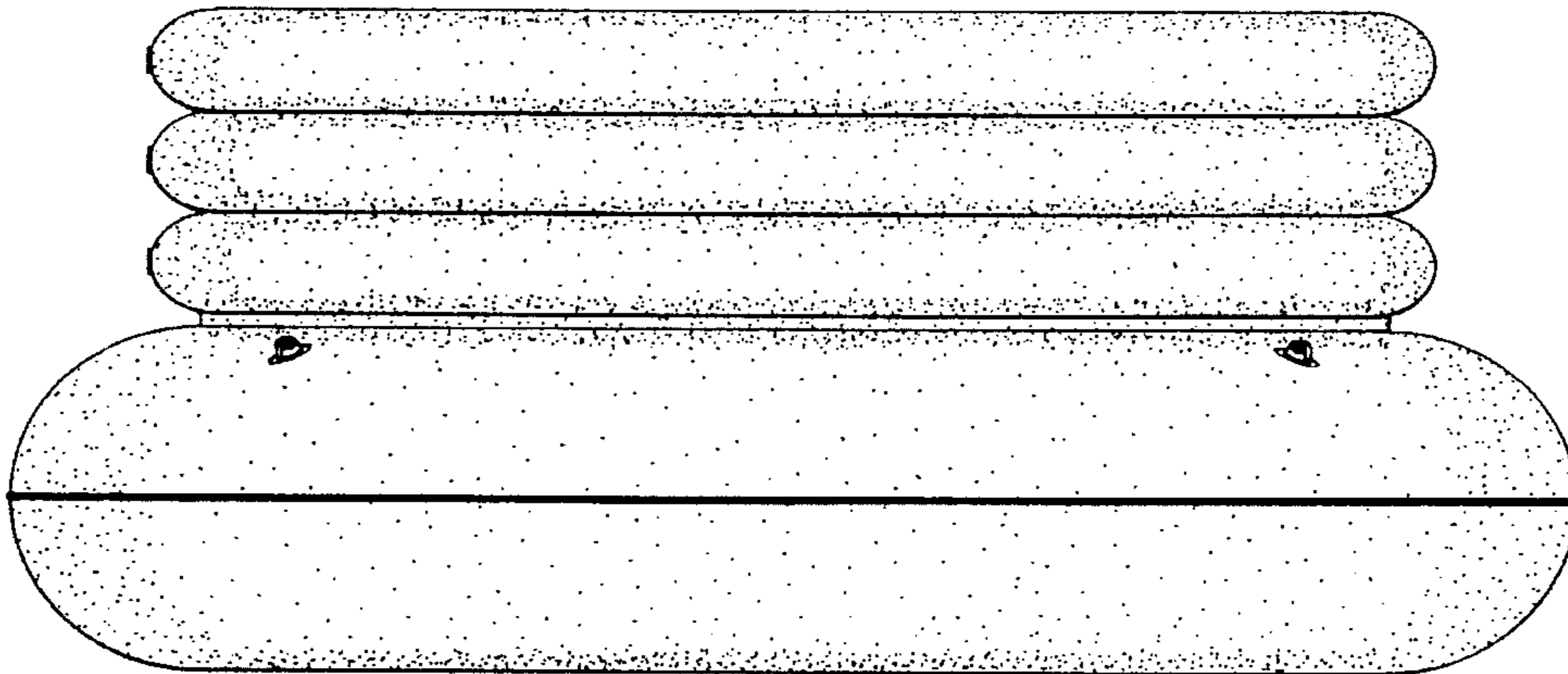


FIG. 6

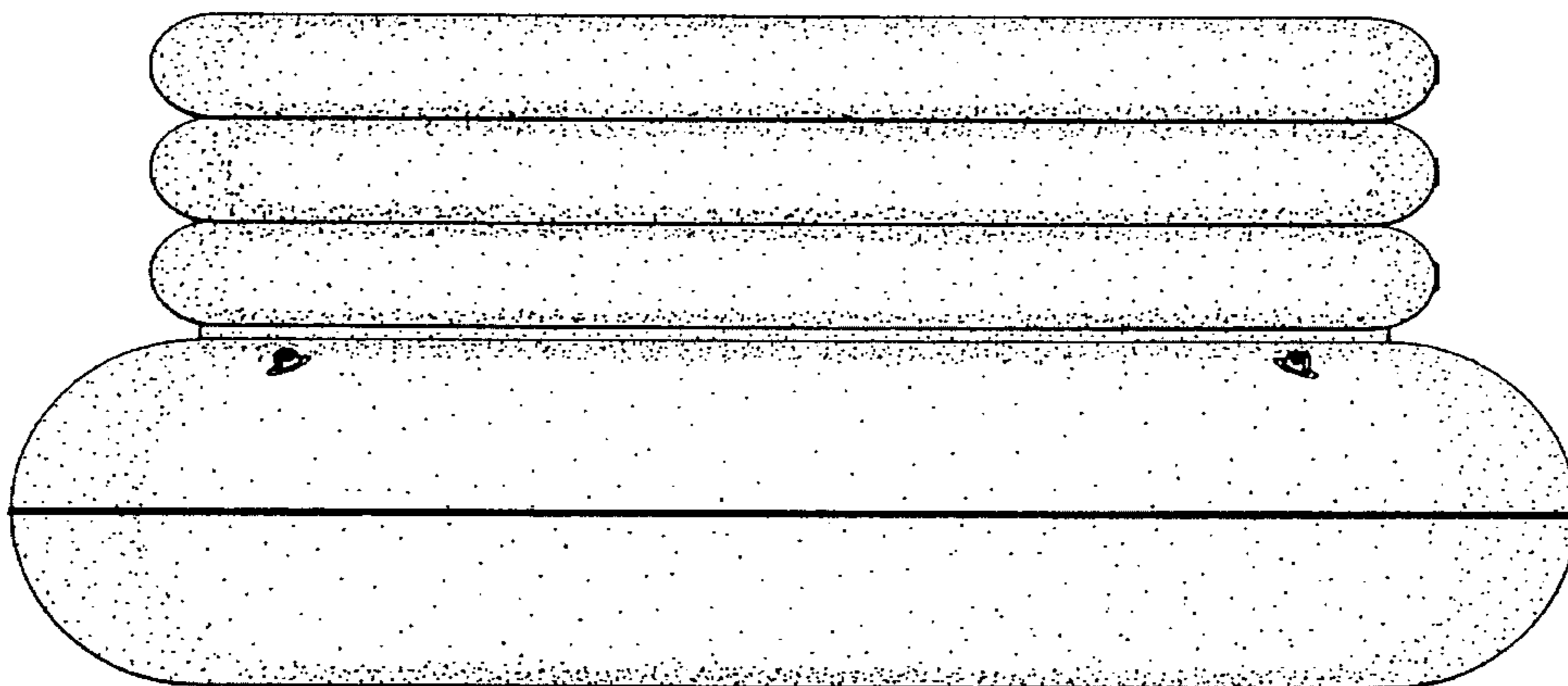


FIG. 7